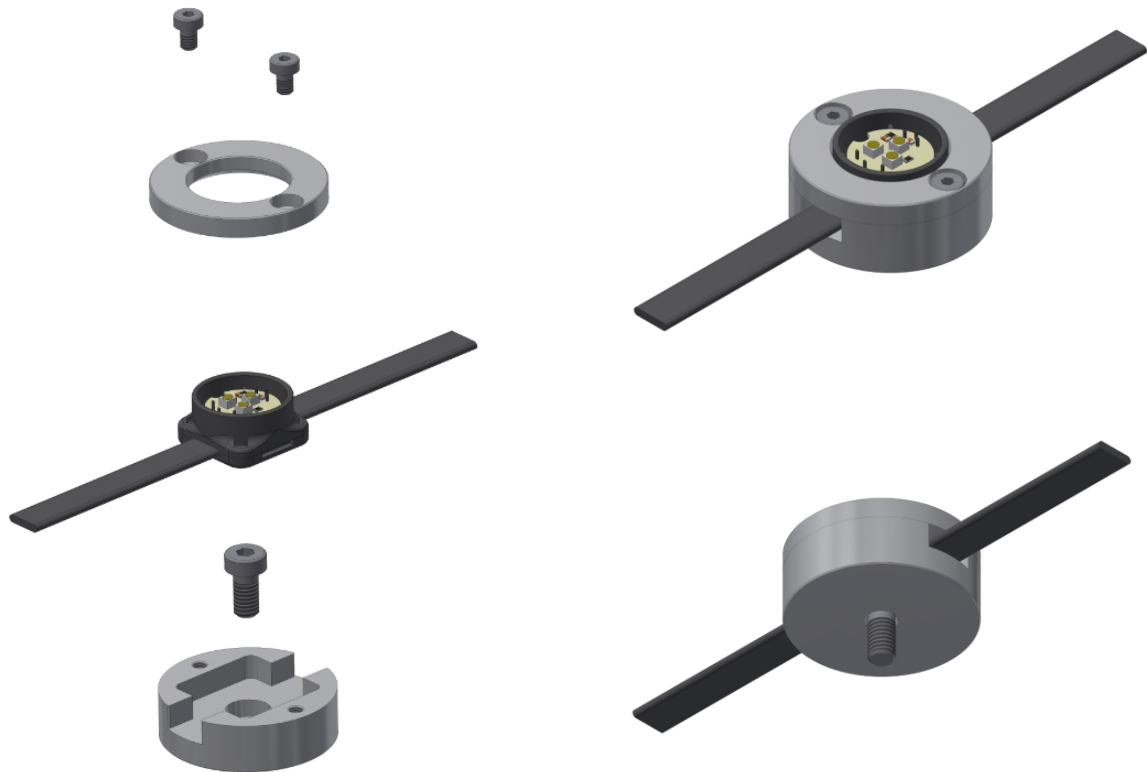
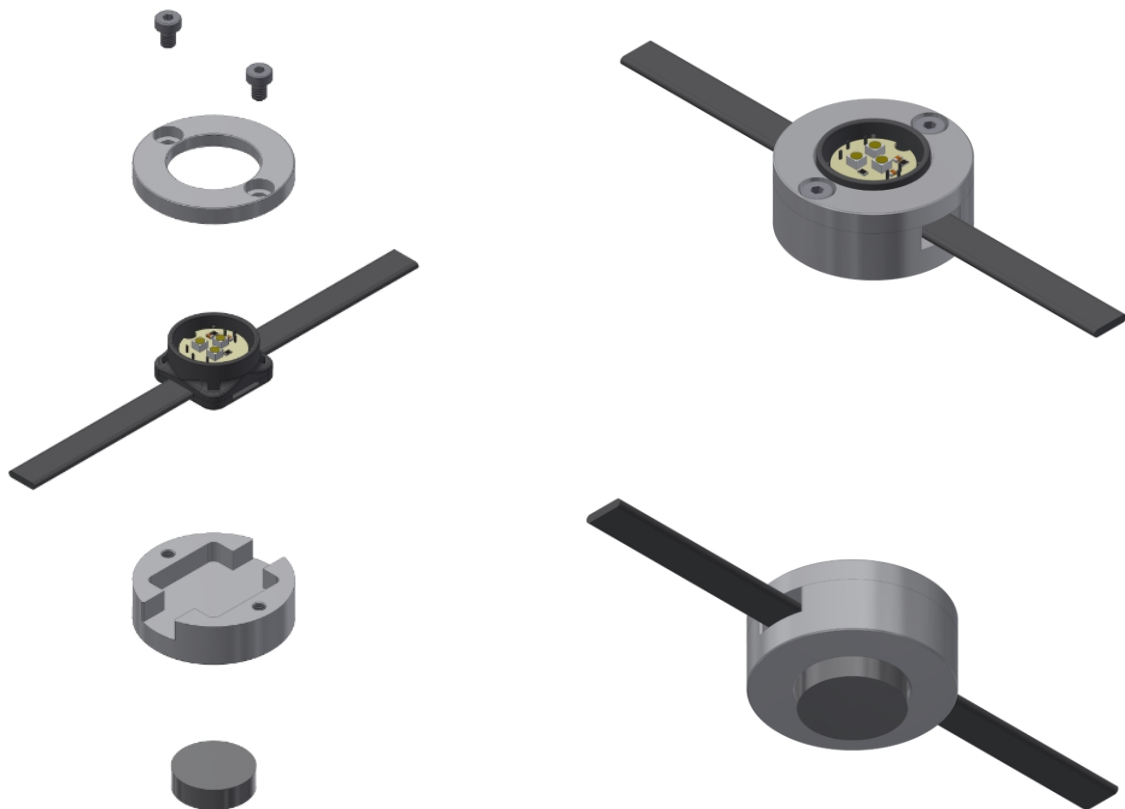


# SUBSTRUCTURE CONCEPTS X-LED LINE



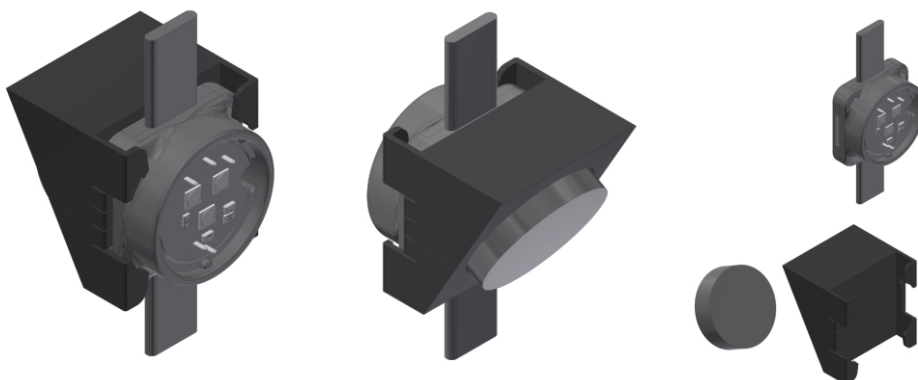
LED-Dot on aluminum clamp fixed by screw M6 to a primary structure



LED-Dot on aluminum clamp fixed by coated magnet on existing steel structure



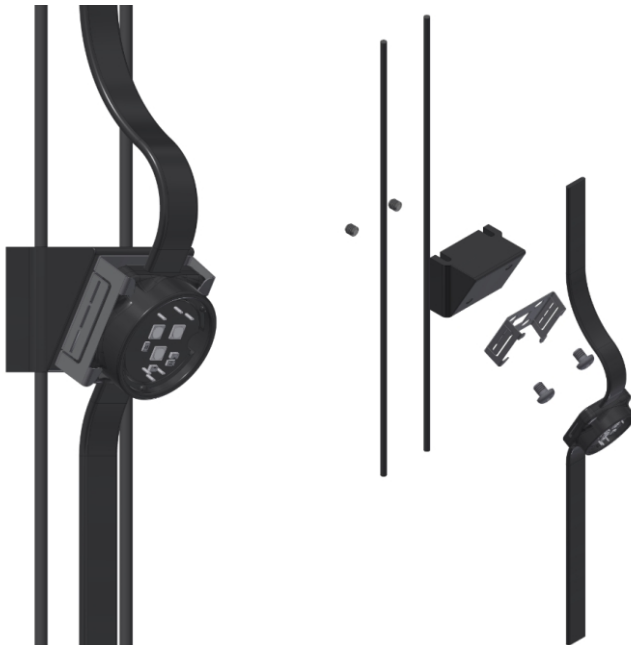
LED-Dot on stainless clip with polyamid plate fixed by coated magnet on existing steel structure



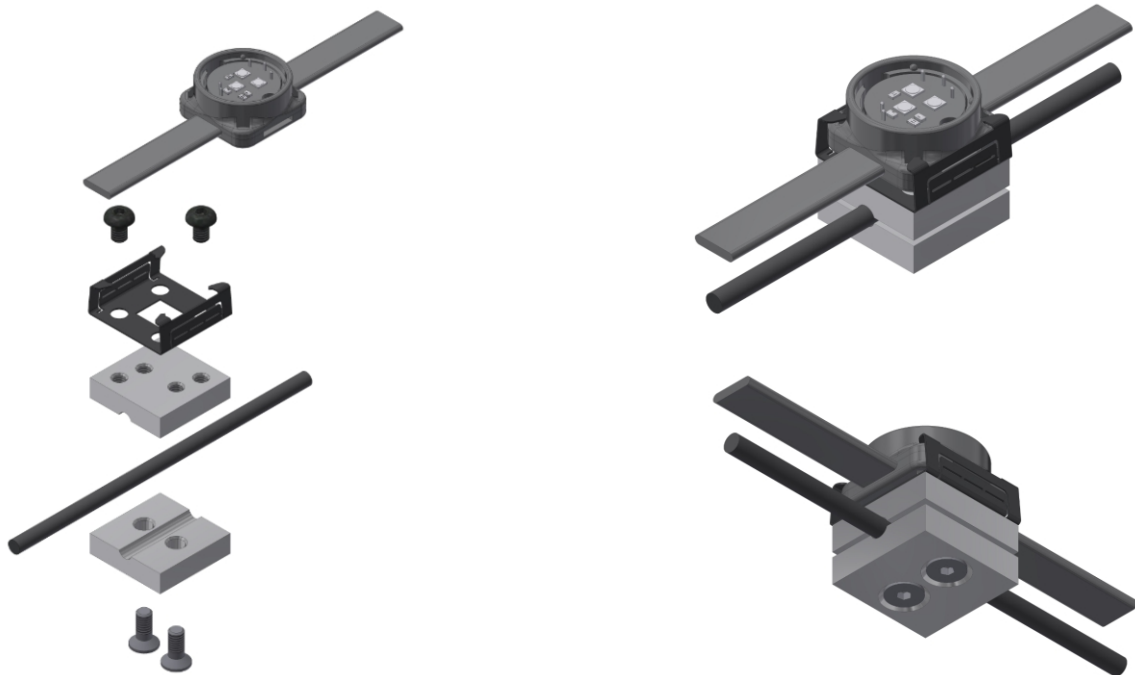
LED-Dot on angled polyamid clip fixed by coated magnet on existing steel structure



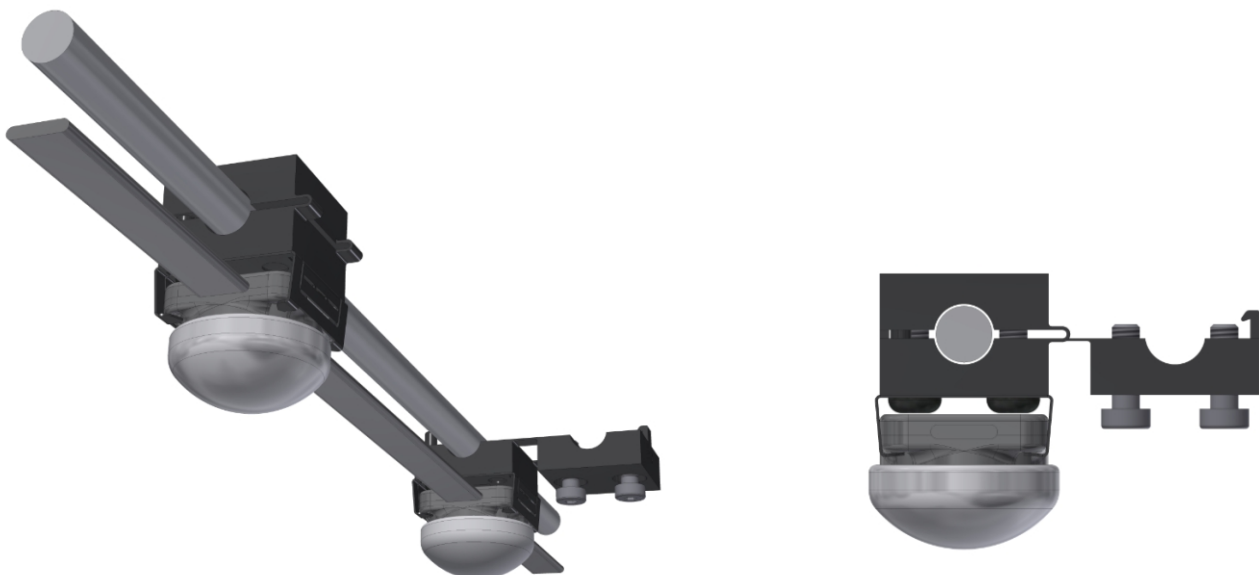
LED-Dot on stainless clip with stainless steel bracket fixed on twin ropes Ø 2,0mm



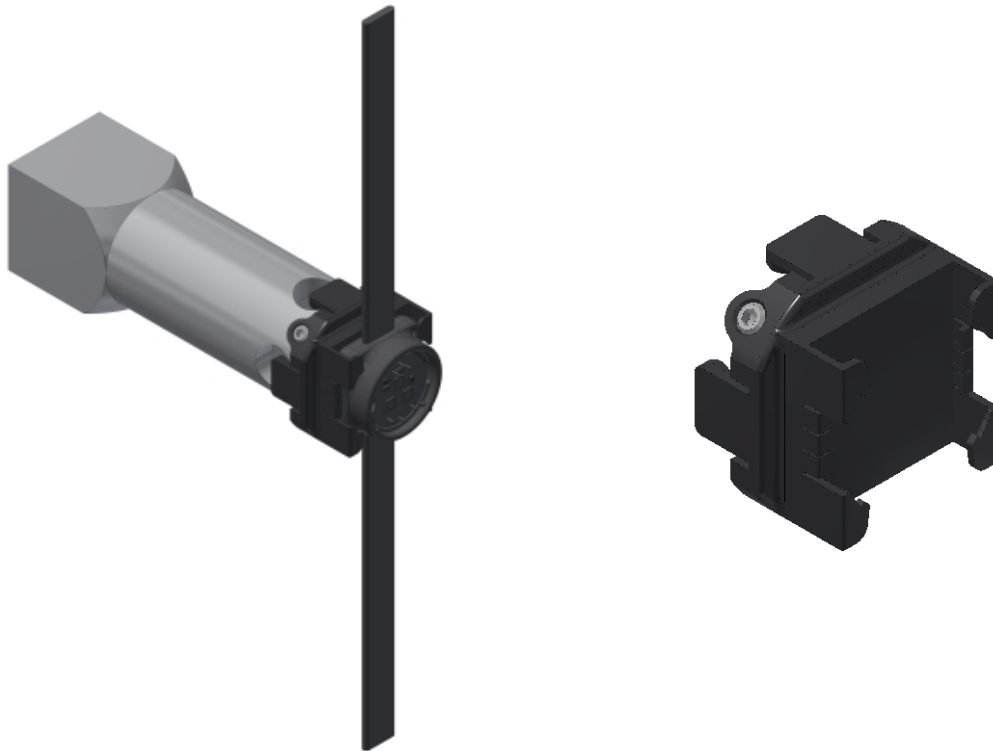
LED-Dot on stainless clip with angled polyamid plate fixed on twin ropes Ø 2,0mm



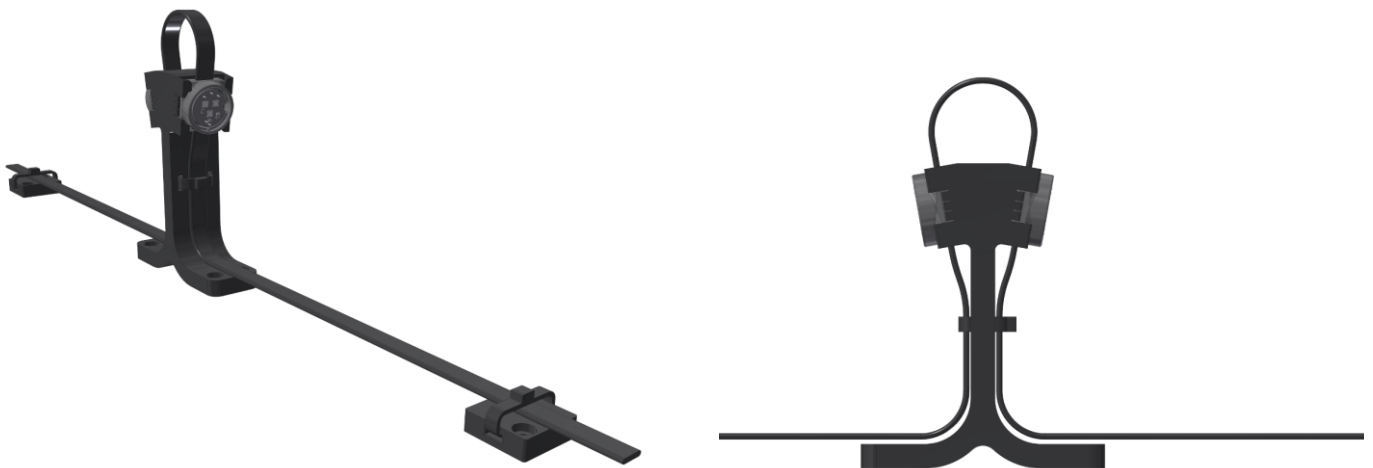
LED-Dot on stainless clip with stainless steel bracket fixed on single rope  $\varnothing$  4,0mm



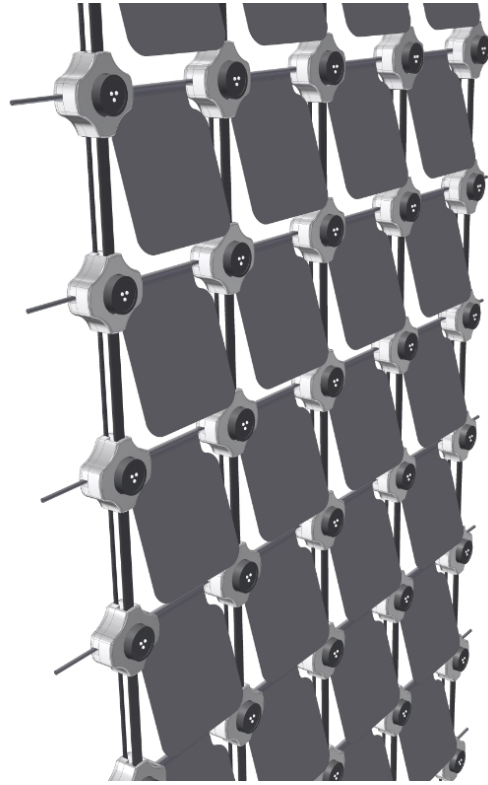
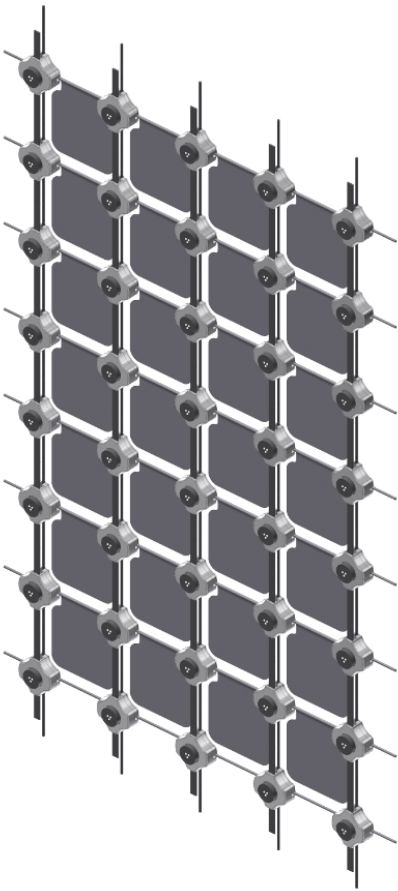
LED-Dot on stainless clip with polyamid bracket fixed on a single rope  $\varnothing$  8,0mm



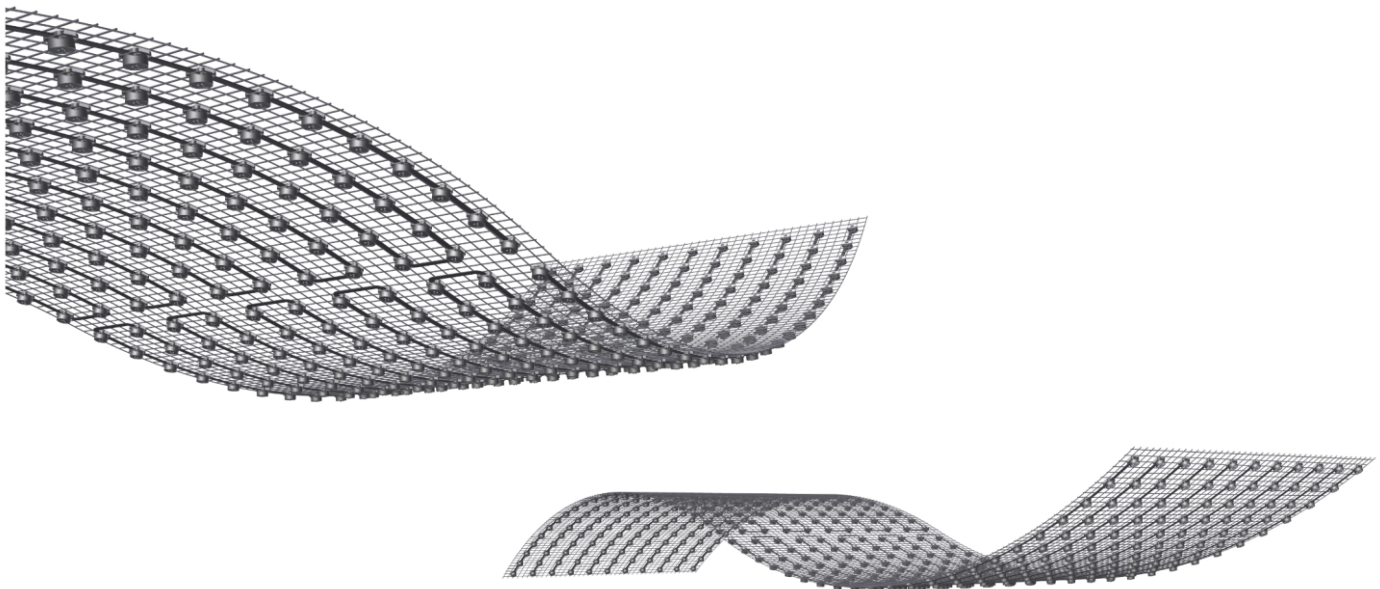
LED-Dot on polyamid clip fixed on aluminum stand-off



LED-Dots on polyamid stand-off



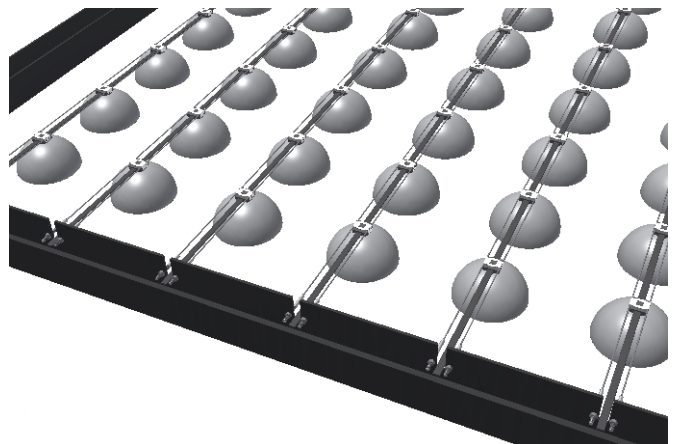
LED-Dots on stainless cross clamps with movable plates fixed on rope grid



LED-Dots on curved stainless steel rod grid structure

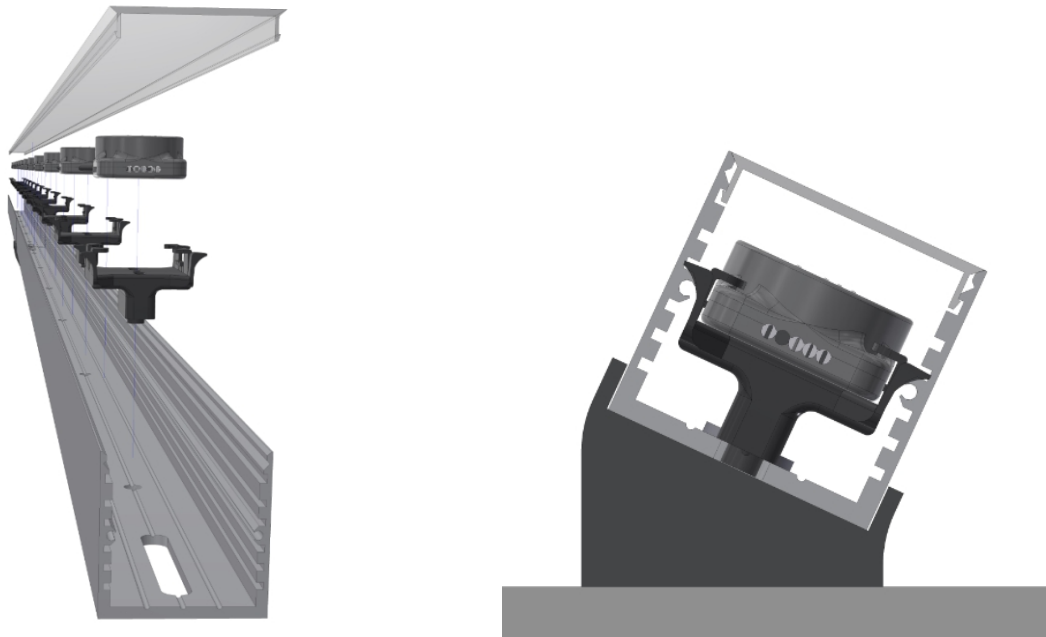


LED-Dot on stainless clip with stainless steel bracket fixed on twin ropes  $\varnothing$  2,0mm and pipe clamp

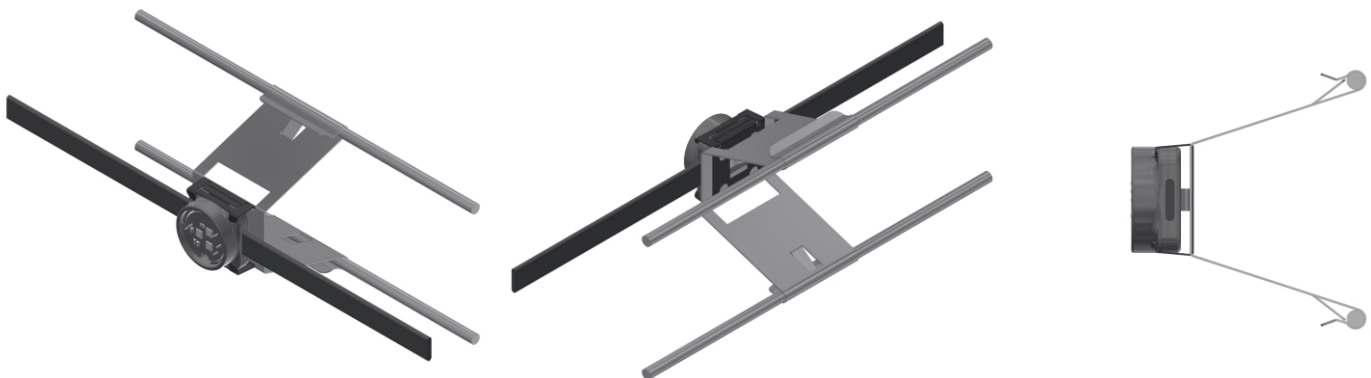


LED-Dot on stainless clip with stainless steel bracket fixed on twin ropes  $\varnothing$  2,0mm

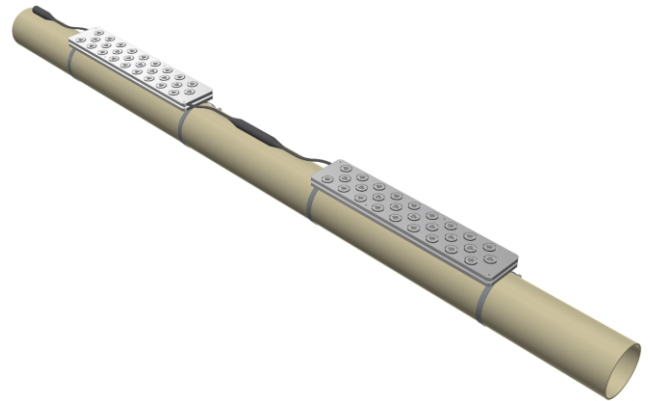
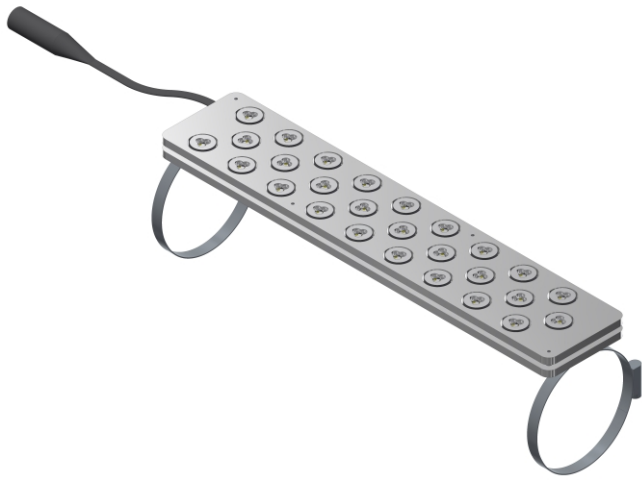




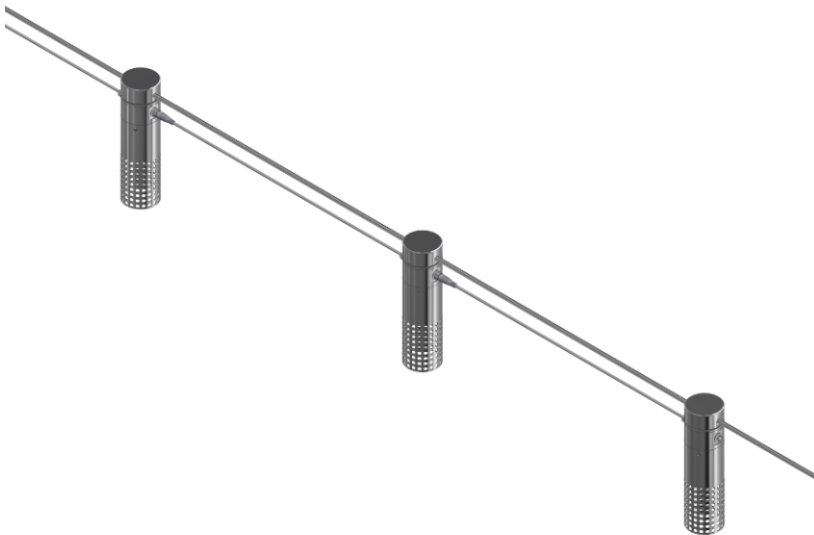
LED-Dots in aluminum profile with diffusor



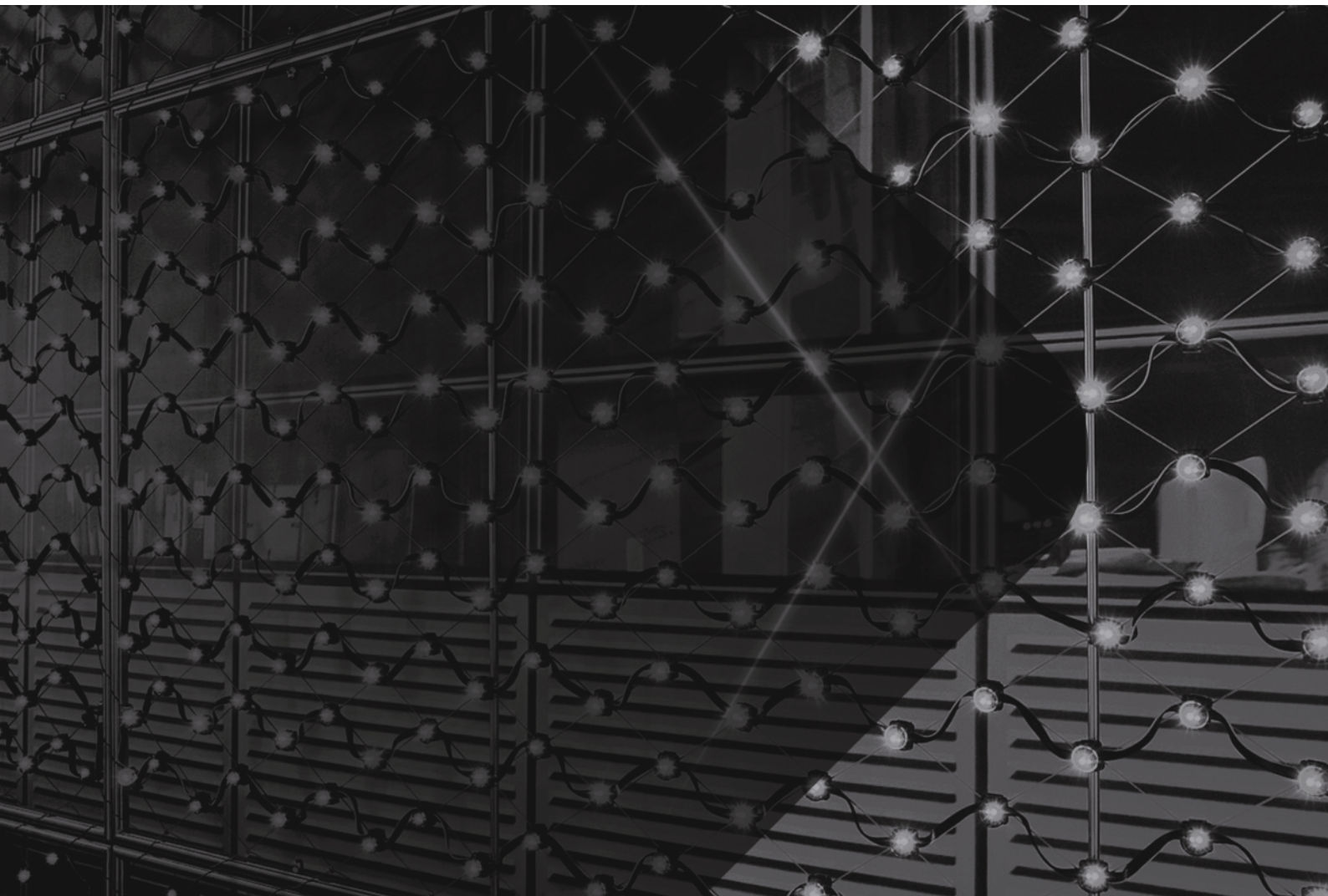
LED-Dots on stainless steel clips fixed on horizontal rods



LED-Dots on stainless steel bracket



LED-Dots in stainless steel pendant fixed on a rope  $\varnothing$  8,0mm



CARL STAHL ARC GMBH  
Siemensstraße 2  
D-73079 Süssen

Fon +49 (0) 7162 / 948 150 300  
Fax +49 (0) 7162 / 948 150 305

[x-led@carlstahl-arc.de](mailto:x-led@carlstahl-arc.de)  
[www.x-led.de](http://www.x-led.de)