



A321

AIRCRAFT CHARACTERISTICS AIRPORT AND MAINTENANCE PLANNING

AC

The content of this document is the property of Airbus.
It is supplied in confidence and commercial security on its contents must be maintained.
It must not be used for any purpose other than that for which it is supplied, nor may
information contained in it be disclosed to unauthorized persons.
It must not be reproduced in whole or in part without permission in writing from the owners of
the copyright. Requests for reproduction of any data in this document and the media authorized
for it must be addressed to Airbus.

© AIRBUS S.A.S. 2005. All rights reserved.

*AIRBUS S.A.S.
Customer Services
Technical Data Support and Services
31707 Blagnac Cedex
FRANCE*

HIGHLIGHTS

Revision No. 27 - Apr 01/20

LOCATIONS	CHG CODE	DESCRIPTIONS OF CHANGE
<p><u>CHAPTER 2</u> Section 2-12 Subject 2-12-0 Engine and Nacelle FIGURE Power Plant Handling - Fan Cowls - PW 1100G Engine FIGURE Power Plant Handling - Thrust Reverser Halves - PW 1100G Engine FIGURE Power Plant Handling - Fan Cowls - CFM LEAP-1A Engine FIGURE Power Plant Handling - Thrust Reverser Halves - CFM LEAP-1A Engine</p>	<p>R R R N N</p>	<p>DELETED INFORMATION ABOUT ITEM 1 FROM THE ILLUSTRATION. DELETED INFORMATION ABOUT ITEM 1 FROM THE ILLUSTRATION. ADDED ILLUSTRATION FOR FAN COWLS - CFM LEAP-1A ENGINE. ILLUSTRATION ADDED ADDED ILLUSTRATION FOR THRUST REVERSER HALVES - CFM LEAP-1A ENGINE. ILLUSTRATION ADDED</p>

LIST OF EFFECTIVE CONTENT

Revision No. 27 - Apr 01/20

CONTENT	CHG CODE	LAST REVISION DATE
<u>CHAPTER 1</u>		
Subject 1-1-0		
Purpose		Nov 01/19
Subject 1-2-0		
Glossary		Dec 01/17
<u>CHAPTER 2</u>		
Subject 2-1-1		
General Aircraft Characteristics Data		Nov 01/19
Subject 2-2-0		
General Aircraft Dimensions		Feb 01/18
FIGURE General Aircraft Dimensions - Wing Tip Fence		Feb 01/18
FIGURE General Aircraft Dimensions		May 01/15
FIGURE General Aircraft Dimensions for A321NEO-ACF		Feb 01/18
Subject 2-3-0		
Ground Clearances		Nov 01/19
FIGURE Ground Clearances - Wing Tip Fence		Dec 01/15
FIGURE Ground Clearances - Sharklet		Dec 01/15
FIGURE Ground Clearances		May 01/15
FIGURE Ground Clearances for A321NEO-ACF		Nov 01/19
FIGURE Ground Clearances - Trailing Edge Flaps - Extended		May 01/15
FIGURE Ground Clearances - Flap Tracks - Extended		May 01/15
FIGURE Ground Clearances - Flap Tracks - Retracted		May 01/15
FIGURE Ground Clearances - Flap Tracks - 1 + F		May 01/15
FIGURE Ground Clearances - Aileron Down		May 01/15
FIGURE Ground Clearances - Aileron Up		May 01/15
FIGURE Ground Clearances - Spoilers - Extended		May 01/15

CONTENT	CHG CODE	LAST REVISION DATE
FIGURE Ground Clearances - Leading Edge Slats - Extended Subject 2-4-1		May 01/15
Interior Arrangements - Plan View		Feb 01/18
FIGURE Interior Arrangements - Plan View - Typical Configuration - Single-Class, High Density		May 01/16
FIGURE Interior Arrangements - Plan View - Typical Configuration - Two-Class		May 01/16
FIGURE Interior Arrangements - Plan View for A321NEO-ACF - Typical Configuration - Single-Class, Standard Subject 2-5-0		Feb 01/18
Interior Arrangements - Cross Section		May 01/15
FIGURE Interior Arrangements - Cross Section - Economy Class, 6 Abreast - Wider Aisle		May 01/15
FIGURE Interior Arrangements - Cross Section - First-Class Subject 2-6-0		May 01/15
Cargo Compartments		Dec 01/17
FIGURE Cargo Compartments - Locations and Dimensions		May 01/15
FIGURE Cargo Compartments - Loading Combinations		Dec 01/17
FIGURE Cargo Compartments for A321NEO-ACF - Locations and Dimensions for A321NEO-ACF		Dec 01/17
FIGURE Cargo Compartments for A321NEO-ACF - Loading Combinations for A321NEO-ACF Subject 2-7-0		Dec 01/17
Door Clearances		Dec 01/18
FIGURE Door Identification and Location - Door Identification		Dec 01/18
FIGURE Door Identification and Location for A321NEO-ACF - Door Identification for A321NEO-ACF		Dec 01/18
FIGURE Doors Clearances - Forward Passenger/Crew Doors		May 01/15
FIGURE Doors Clearances for A321NEO-ACF - Forward Passenger/Crew Doors for A321NEO-ACF		Dec 01/18
FIGURE Doors Clearances - Emergency Exits		Dec 01/18

CONTENT	CHG CODE	LAST REVISION DATE
FIGURE Doors Clearances for A321NEO-ACF - Emergency Exits for A321NEO-ACF		Dec 01/18
FIGURE Doors Clearances - Aft Passenger/Crew Doors		Dec 01/18
FIGURE Doors Clearances for A321NEO-ACF - Aft Passenger/Crew Doors for A321NEO-ACF		Dec 01/18
FIGURE Door Clearances - Forward Cargo Compartment Door		May 01/15
FIGURE Door Clearances - Forward Cargo Compartment Door		May 01/15
FIGURE Doors Clearances - Aft Cargo Compartment Door		Dec 01/18
FIGURE Doors Clearances - Bulk Cargo Compartment Door		Dec 01/18
FIGURE Doors Clearances - Main Landing Gear Doors		May 01/15
FIGURE Doors Clearances - Radome		May 01/15
FIGURE Doors Clearances - APU and Nose Landing Gear Doors		May 01/15
Subject 2-8-0		
Escape Slides		Dec 01/18
FIGURE Escape Slides - Location		Feb 01/18
FIGURE Escape Slides - Dimensions		Dec 01/18
FIGURE Escape Slides for A321NEO-ACF - Location for A321NEO-ACF		Dec 01/18
FIGURE Escape Slides for A321NEO-ACF - Dimensions for A321NEO-ACF		Dec 01/18
Subject 2-9-0		
Landing Gear		May 01/14
FIGURE Landing Gear - Main Landing Gear - Twin-Wheel		May 01/14
FIGURE Landing Gear - Main Landing Gear Dimensions - Twin-Wheel		May 01/14
FIGURE Landing Gear - Nose Landing Gear		May 01/14
FIGURE Landing Gear - Nose Landing Gear Dimensions		May 01/14
Landing Gear Maintenance Pits		May 01/14
FIGURE Landing Gear Maintenance Pits - Maintenance Pit Envelopes		May 01/14
FIGURE Landing Gear Maintenance Pits - Maintenance Pit Envelopes		May 01/14
Subject 2-10-0		

CONTENT	CHG CODE	LAST REVISION DATE
Exterior Lighting		May 01/15
FIGURE Exterior Lighting		May 01/14
FIGURE Exterior Lighting		May 01/14
FIGURE Exterior Lighting		May 01/14
FIGURE Exterior Lighting		May 01/14
Subject 2-11-0		
Antennas and Probes Location		May 01/14
FIGURE Antennas and Probes - Location		May 01/14
Subject 2-12-0		
Auxiliary Power Unit		Dec 01/15
FIGURE Auxiliary Power Unit - Access Doors		Dec 01/15
FIGURE Auxiliary Power Unit - General Layout		Dec 01/15
Engine and Nacelle	R	Apr 01/20
FIGURE Power Plant Handling - Major Dimensions - CFM56 Series Engine		May 01/14
FIGURE Power Plant Handling - Major Dimensions - CFM56 Series Engine		May 01/14
FIGURE Power Plant Handling - Fan Cowls - CFM56 Series Engine		May 01/17
FIGURE Power Plant Handling - Thrust Reverser Cowls - CFM56 Series Engine		May 01/17
FIGURE Power Plant Handling - Major Dimensions - IAE V2500 Series Engine		May 01/14
FIGURE Power Plant Handling - Major Dimensions - IAE V2500 Series Engine		May 01/14
FIGURE Power Plant Handling - Fan Cowls - IAE V2500 Series Engine		May 01/17
FIGURE Power Plant Handling - Thrust Reverser Halves - IAE V2500 Series Engine		May 01/17
FIGURE Power Plant Handling - Major Dimensions - PW 1100G Engine		May 01/17
FIGURE Power Plant Handling - Fan Cowls - PW 1100G Engine	R	Apr 01/20

CONTENT	CHG CODE	LAST REVISION DATE
FIGURE Power Plant Handling - Thrust Reverser Halves - PW 1100G Engine	R	Apr 01/20
FIGURE Power Plant Handling - Major Dimensions - CFM LEAP-1A Engine		May 01/15
FIGURE Power Plant Handling - Major Dimensions - CFM LEAP-1A Engine		May 01/17
FIGURE Power Plant Handling - Fan Cowls - CFM LEAP-1A Engine	N	Apr 01/20
FIGURE Power Plant Handling - Thrust Reverser Halves - CFM LEAP-1A Engine	N	Apr 01/20
Subject 2-13-0		
Leveling, Symmetry and Alignment		May 01/14
FIGURE Location of the Leveling Points		May 01/14
Subject 2-14-0		
Jacking for Maintenance		May 01/14
FIGURE Jacking for Maintenance - Jacking Point Locations		May 01/15
FIGURE Jacking for Maintenance - Forward Jacking Point		May 01/14
FIGURE Jacking for Maintenance - Wing Jacking Points		May 01/14
FIGURE Jacking for Maintenance - Safety Stay		May 01/15
FIGURE Jacking for Maintenance - Jacking Design		May 01/15
FIGURE Loads at the Aircraft Jacking Points - Wing Jacking Point and Forward Fuselage Jacking Point		May 01/14
FIGURE Jacking for Maintenance - Location of Shoring Cradles		May 01/14
Jacking of the Landing Gear		May 01/17
FIGURE Jacking of the Landing Gear - MLG Jacking Point Location - Twin Wheels		May 01/14
FIGURE Jacking of the Landing Gear - MLG Jacking with Cantilever Jack - Twin Wheels		May 01/14
FIGURE Jacking of the Landing Gear - NLG Jacking - Point Location		May 01/14
FIGURE Jacking of the Landing Gear - Maximum Load Capacity to Lift Each Jacking Point		May 01/17
FIGURE Jacking of the Landing Gear - Maximum Load Capacity to Lift Each Jacking Point		May 01/17

CONTENT	CHG CODE	LAST REVISION DATE
<u>CHAPTER 3</u>		
Subject 3-1-0		
General Information		May 01/14
Subject 3-2-1		
Payload/Range - ISA Conditions		May 01/15
FIGURE Payload/Range - ISA Conditions		May 01/15
FIGURE Payload/Range - ISA Conditions - Sharklet		May 01/15
FIGURE Payload/Range - ISA Conditions		Dec 01/18
Subject 3-3-1		
Take-Off Weight Limitation - ISA Conditions		Dec 01/18
FIGURE Take-Off Weight Limitation - ISA Conditions - CFM56 Series Engine		May 01/14
FIGURE Take-Off Weight Limitation - ISA Conditions - IAE V2500 Series Engine		May 01/14
FIGURE Take-Off Weight Limitation - ISA Conditions - LEAP-1A Series Engine		Dec 01/18
Subject 3-3-2		
Take-Off Weight Limitation - ISA +15 ° C (+27 ° F) Conditions		Dec 01/18
FIGURE Take-Off Weight Limitation - ISA +15 ° C (+27 ° F) Conditions - CFM56 Series Engine		Dec 01/18
FIGURE Take-Off Weight Limitation - ISA +15 ° C (+27 ° F) Conditions - IAE V2500 Series Engine		Dec 01/18
FIGURE Take-Off Weight Limitation - ISA +15 ° C (+27 ° F) Conditions - LEAP-1A Series Engine		Dec 01/18
Subject 3-3-3		
Aerodrome Reference Code		Dec 01/18
Subject 3-4-1		
Landing Field Length - ISA Conditions		May 01/14
FIGURE Landing Field Length - ISA Conditions - CFM56 Series Engine		May 01/14

CONTENT	CHG CODE	LAST REVISION DATE
FIGURE Landing Field Length - ISA Conditions - IAE V2500 Series Engine		May 01/14
Subject 3-5-0		
Final Approach Speed		Feb 01/18
<u>CHAPTER 4</u>		
Subject 4-1-0		
General Information		May 01/14
Subject 4-2-0		
Turning Radii		Dec 01/15
FIGURE Turning Radii, No Slip Angle - (Sheet 1)		Dec 01/15
FIGURE Turning Radii, No Slip Angle - (Sheet 2)		Dec 01/15
Subject 4-3-0		
Minimum Turning Radii		Dec 01/15
FIGURE Minimum Turning Radii		May 01/14
Subject 4-4-0		
Visibility from Cockpit in Static Position		May 01/14
FIGURE Visibility from Cockpit in Static Position		Dec 01/18
FIGURE Binocular Visibility Through Windows from Captain Eye Position		May 01/14
Subject 4-5-0		
Runway and Taxiway Turn Paths		May 01/14
Subject 4-5-1		
135° Turn - Runway to Taxiway		May 01/14
FIGURE 135° Turn - Runway to Taxiway - Cockpit Over Centerline Method		Dec 01/18
FIGURE 135° Turn - Runway to Taxiway - Judgemental Oversteering Method		Dec 01/18
Subject 4-5-2		
90° Turn - Runway to Taxiway		May 01/14
FIGURE 90° Turn - Runway to Taxiway - Cockpit Over Centerline Method		Dec 01/18

CONTENT	CHG CODE	LAST REVISION DATE
FIGURE 90° Turn - Runway to Taxiway - Judgemental Oversteering Method Subject 4-5-3		Dec 01/18
180° Turn on a Runway FIGURE 180° Turn on a Runway - Edge of Runway Method		Feb 01/19
Subject 4-5-4 135° Turn - Taxiway to Taxiway		Feb 01/19
FIGURE 135° Turn - Taxiway to Taxiway - Cockpit Over Centerline Method		May 01/14
Subject 4-5-5 90° Turn - Taxiway to Taxiway		Dec 01/18
FIGURE 90° Turn - Taxiway to Taxiway - Cockpit Over Centerline Method		May 01/14
Subject 4-6-0 Runway Holding Bay (Apron)		Dec 01/18
FIGURE Runway Holding Bay (Apron)		May 01/14
Subject 4-7-0 Minimum Line-Up Distance Corrections		May 01/14
FIGURE Minimum Line-Up Distance Corrections - 90° Turn on Runway Entry		May 01/14
FIGURE Minimum Line-Up Distance Corrections - 180° Turn on Runway Turn Pad		May 01/14
FIGURE Minimum Line-Up Distance Corrections - 180° Turn on Runway Width		May 01/14
Subject 4-8-0 Aircraft Mooring		May 01/14
FIGURE Aircraft Mooring		May 01/14
<u>CHAPTER 5</u> Subject 5-1-1 Aircraft Servicing Arrangements		May 01/14
Subject 5-1-2		

CONTENT	CHG CODE	LAST REVISION DATE
Typical Ramp Layout - Open Apron		May 01/14
FIGURE Typical Ramp Layout - Open Apron - Bulk Loading		May 01/14
FIGURE Typical Ramp Layout - Open Apron - ULD Loading		May 01/14
Subject 5-1-3		
Typical Ramp Layout - Gate		May 01/14
FIGURE Typical Ramp Layout - Gate		May 01/14
Subject 5-2-0		
Terminal Operations - Full Servicing Turn Round Time		Dec 01/18
FIGURE Full Servicing Turn Round Time Chart		Dec 01/18
FIGURE Full Servicing Turn Round Time Chart for A321NEO-ACF		Dec 01/18
Subject 5-3-0		
Terminal Operations - Transit Turn Round Time		Dec 01/18
FIGURE Outstation Turn Round Time Chart		Dec 01/18
FIGURE Outstation Turn Round Time Chart for A321NEO-ACF		Dec 01/18
Subject 5-4-1		
Ground Service Connections Layout		May 01/14
FIGURE Ground Service Connections Layout		May 01/14
Subject 5-4-2		
Grounding (Earthing) Points		May 01/14
FIGURE Ground Service Connections - Grounding (Earthing) Points - Landing Gear		May 01/14
FIGURE Ground Service Connections - Grounding (Earthing) Points - Wing (If Installed)		May 01/14
FIGURE Ground Service Connections - Grounding (Earthing) Point - Avionics Compartment Door-Frame		May 01/14
FIGURE Ground Service Connections - Grounding (Earthing) Point - Engine Air Intake (If Installed)		May 01/14
Subject 5-4-3		
Hydraulic Servicing		May 01/16

CONTENT	CHG CODE	LAST REVISION DATE
FIGURE Ground Service Connections - Green System Ground Service Panel		May 01/16
FIGURE Ground Service Connections - Blue System Ground Service Panel		May 01/16
FIGURE Ground Service Connections - Yellow System Ground Service Panel		May 01/16
FIGURE Ground Service Connections - RAT		May 01/16
Subject 5-4-4		
Electrical System		May 01/15
FIGURE Ground Service Connections - External Power Receptacles		May 01/14
Subject 5-4-5		
Oxygen System		May 01/14
FIGURE Ground Service Connections - Oxygen System		May 01/14
Subject 5-4-6		
Fuel System		May 01/14
FIGURE Ground Service Connections - Refuel/Defuel Control Panel		May 01/14
FIGURE Ground Service Connections - Refuel/Defuel Couplings		May 01/14
FIGURE Ground Service Connections - Overwing Gravity-Refuel Cap (If Installed)		May 01/14
FIGURE Ground Service Connections - Overpressure Protectors and NACA Vent Intake		May 01/14
Subject 5-4-7		
Pneumatic System		May 01/14
FIGURE Ground Service Connections - LP and HP Ground Connectors		May 01/14
Subject 5-4-8		
Oil System		May 01/14
FIGURE Ground Service Connections - Engine Oil Tank – CFM56 Series Engine		May 01/14
FIGURE Ground Service Connections - IDG Oil Tank – CFM56 Series Engine		May 01/14

CONTENT	CHG CODE	LAST REVISION DATE
FIGURE Ground Service Connections - Starter Oil Tank – CFM56 Series Engine		May 01/14
FIGURE Ground Service Connections - Engine Oil Tank – IAE V2500 Series Engine		May 01/14
FIGURE Ground Service Connections - IDG Oil Tank – IAE V2500 Series Engine		May 01/14
FIGURE Ground Service Connections - Starter Oil Tank – IAE V2500 Series Engine		May 01/14
FIGURE Ground Service Connections - APU Oil Tank		May 01/14
Subject 5-4-9		
Potable Water System		May 01/14
FIGURE Ground Service Connections - Potable Water Ground Service Panels		May 01/14
FIGURE Ground Service Connections - Potable Water Tank Location		May 01/14
Subject 5-4-10		
Waste Water System		Nov 01/19
FIGURE Ground Service Connections - Waste Water Ground Service Panel		May 01/14
FIGURE Ground Service Connections - Waste Tank Location		May 01/14
FIGURE Ground Service Connections for A321NEO-ACF - Waste Tank Location for A321NEO-ACF		Nov 01/19
Subject 5-5-0		
Engine Starting Pneumatic Requirements		May 01/14
FIGURE Example for Use of the Charts		May 01/14
FIGURE Engine Starting Pneumatic Requirements - IAE V2500 Series Engine		May 01/14
FIGURE Engine Starting Pneumatic Requirements - CFM56 Series and CFM LEAP-1A NEO Engine		May 01/14
FIGURE Engine Starting Pneumatic Requirements - PW 1100G NEO Engine		May 01/14
Subject 5-6-0		
Ground Pneumatic Power Requirements		May 01/15

CONTENT	CHG CODE	LAST REVISION DATE
FIGURE Ground Pneumatic Power Requirements - Heating		May 01/14
FIGURE Ground Pneumatic Power Requirements - Cooling		May 01/14
Subject 5-7-0		
Preconditioned Airflow Requirements		May 01/15
FIGURE Preconditioned Airflow Requirements		May 01/16
Subject 5-8-0		
Ground Towing Requirements		Dec 01/17
FIGURE Ground Towing Requirements		Dec 01/17
FIGURE Ground Towing Requirements - PW 1100G Engine		May 01/17
Subject 5-9-0		
De-Icing and External Cleaning		May 01/14
<u>CHAPTER 6</u>		
Subject 6-1-0		
Engine Exhaust Velocities and Temperatures		Dec 01/15
Subject 6-1-1		
Engine Exhaust Velocities Contours - Ground Idle Power		Dec 01/15
FIGURE Engine Exhaust Velocities - Ground Idle Power – CFM56-5B Series Engine		Dec 01/15
FIGURE Engine Exhaust Velocities - Ground Idle Power – IAE V2500 Series Engine		Dec 01/15
FIGURE Engine Exhaust Velocities - Ground Idle Power – CFM LEAP-1A Engine		Dec 01/15
FIGURE Engine Exhaust Velocities - Ground Idle Power – PW 1100G Engine		Dec 01/15
Subject 6-1-2		
Engine Exhaust Temperatures Contours - Ground Idle Power		Dec 01/15
FIGURE Engine Exhaust Temperatures - Ground Idle Power – CFM56-5B Series Engine		Dec 01/15
FIGURE Engine Exhaust Temperatures - Ground Idle Power – IAE V2500 Series Engine		Dec 01/15

CONTENT	CHG CODE	LAST REVISION DATE
FIGURE Engine Exhaust Temperatures - Ground Idle Power – CFM LEAP-1A Engine		Dec 01/15
FIGURE Engine Exhaust Temperatures - Ground Idle Power – PW 1100G Engine		Dec 01/15
Subject 6-1-3		
Engine Exhaust Velocities Contours - Breakaway Power		Dec 01/18
FIGURE Engine Exhaust Velocities - Breakaway Power 12% MTO – CFM LEAP-1A Engine		Dec 01/15
FIGURE Engine Exhaust Velocities - Breakaway Power 12% MTO – PW 1100G Engine		Dec 01/15
FIGURE Engine Exhaust Velocities - Breakaway Power 24% MTO – CFM LEAP-1A Engine		Dec 01/15
FIGURE Engine Exhaust Velocities - Breakaway Power 24% MTO – PW 1100G Engine		Dec 01/15
FIGURE Engine Exhaust Velocities - Breakaway Power - CFM56 Series Engine		Dec 01/18
FIGURE Engine Exhaust Velocities - Breakaway Power - IAE V2500 Series Engine		Dec 01/18
Subject 6-1-4		
Engine Exhaust Temperatures Contours - Breakaway Power		Dec 01/18
FIGURE Engine Exhaust Temperatures - Breakaway Power 12% MTO - CFM LEAP-1A Engine		Dec 01/15
FIGURE Engine Exhaust Temperatures - Breakaway Power 12% MTO - PW 1100G Engine		Dec 01/15
FIGURE Engine Exhaust Temperatures - Breakaway Power 24% MTO - CFM LEAP-1A Engine		Dec 01/15
FIGURE Engine Exhaust Temperatures - Breakaway Power 24% MTO - PW 1100G Engine		Dec 01/15
FIGURE Engine Exhaust Temperatures - Breakaway Power - CFM56 Series Engine		Dec 01/18
FIGURE Engine Exhaust Temperatures - Breakaway Power - IAE V2500 Series Engine		Dec 01/18
Subject 6-1-5		

CONTENT	CHG CODE	LAST REVISION DATE
Engine Exhaust Velocities Contours - Takeoff Power		Dec 01/15
FIGURE Engine Exhaust Velocities - Takeoff Power – CFM56-5B Series Engine		Dec 01/15
FIGURE Engine Exhaust Velocities - Takeoff Power – IAE V2500 Series Engine		Dec 01/15
FIGURE Engine Exhaust Velocities - Takeoff Power – CFM LEAP-1A Engine		Dec 01/15
FIGURE Engine Exhaust Velocities - Takeoff Power – PW 1100G Engine		Dec 01/15
Subject 6-1-6		
Engine Exhaust Temperatures Contours - Takeoff Power		Dec 01/15
FIGURE Engine Exhaust Temperatures - Takeoff Power – CFM56-5B Series Engine		Dec 01/15
FIGURE Engine Exhaust Temperatures - Takeoff Power – IAE V2500 Series Engine		Dec 01/15
FIGURE Engine Exhaust Temperatures - Takeoff Power - CFM LEAP-1A Engine		Dec 01/15
FIGURE Engine Exhaust Temperatures - Takeoff Power - PW 1100G Engine		Dec 01/15
Subject 6-3-0		
Danger Areas of Engines		Dec 01/18
Subject 6-3-1		
Ground Idle Power		Dec 01/15
FIGURE Danger Areas of the Engines - CFM56-5B Series Engine		Dec 01/18
FIGURE Danger Areas of the Engines - IAE V2500 Series Engine		Dec 01/18
FIGURE Danger Areas of the Engines - CFM LEAP-1A Engine		Dec 01/18
FIGURE Danger Areas of the Engines - PW 1100G Engine		Dec 01/18
Subject 6-3-2		
Breakaway Power		Feb 01/18
FIGURE Danger Areas of the Engines - CFM56-5B Series Engine		Nov 01/19
FIGURE Danger Areas of the Engines - IAE V2500 Series Engine		Nov 01/19

CONTENT	CHG CODE	LAST REVISION DATE
FIGURE Danger Areas of the Engines - CFM LEAP-1A Engine		Nov 01/19
FIGURE Danger Areas of the Engines - PW 1100G Engine		Nov 01/19
Subject 6-3-3		
Take Off Power		Feb 01/18
FIGURE Danger Areas of the Engine - CFM56-5B Series Engine		Dec 01/18
FIGURE Danger Areas of the Engine - IAE V2500 Series Engine		Dec 01/18
FIGURE Danger Areas of the Engine - CFM LEAP-1A Engine		Dec 01/18
FIGURE Danger Areas of the Engine - PW 1100G Engine		Dec 01/18
Subject 6-4-1		
APU - APIC & GARRETT		May 01/14
FIGURE Exhaust Velocities and Temperatures - APU – APIC & GARRETT		May 01/14
<u>CHAPTER 7</u>		
Subject 7-1-0		
General Information		May 01/15
Subject 7-2-0		
Landing Gear Footprint		May 01/16
FIGURE Landing Gear Footprint		May 01/14
FIGURE Landing Gear Footprint		Dec 01/18
FIGURE Landing Gear Footprint		Nov 01/19
Subject 7-3-0		
Maximum Pavement Loads		May 01/15
FIGURE Maximum Pavement Loads		May 01/16
FIGURE Maximum Pavement Loads		Dec 01/18
FIGURE Maximum Pavement Loads		Nov 01/19
Subject 7-4-0		
Landing Gear Loading on Pavement		Nov 01/19
FIGURE Landing Gear Loading on Pavement - WV004, MRW 78 400 kg, CG 41%		May 01/14

CONTENT	CHG CODE	LAST REVISION DATE
FIGURE Landing Gear Loading on Pavement - WV008, MRW 89 400 kg, CG 38%		May 01/14
FIGURE Landing Gear Loading on Pavement - WV009, MRW 78 400 kg, CG 39.21%		Nov 01/19
FIGURE Landing Gear Loading on Pavement - WV011, MRW 93 900 kg, CG 36.88%		May 01/14
FIGURE Landing Gear Loading on Pavement - WV070, MRW 80 400 kg, CG 37%		Nov 01/19
FIGURE Landing Gear Loading on Pavement - WV071, MRW 97 400 kg, CG 36.07%		Dec 01/17
Subject 7-5-0		
Flexible Pavement Requirements - US Army Corps of Engineers Design Method		Dec 01/17
FIGURE Flexible Pavement Requirements - WV004, MRW 78 400 kg, CG 41 %		May 01/14
FIGURE Flexible Pavement Requirements - WV008, MRW 89 400 kg, CG 38 %		May 01/14
FIGURE Flexible Pavement Requirements - WV009, MRW 78 400 kg, CG 39.21 %		Nov 01/19
FIGURE Flexible Pavement Requirements - WV011, MRW 93 900 kg, CG 36.88 %		May 01/14
FIGURE Flexible Pavement Requirements - WV070, MRW 80 900 kg, CG 37 %		Nov 01/19
FIGURE Flexible Pavement Requirements - WV071, MRW 97 400 kg, CG 36.07 %		Nov 01/19
Subject 7-6-0		
Flexible Pavement Requirements - LCN Conversion		May 01/15
Subject 7-7-0		
Rigid Pavement Requirements - Portland Cement Association Design Method		Dec 01/17
FIGURE Rigid Pavement Requirements - WV004, MRW 78 400 kg, CG 41 %		Nov 01/19
FIGURE Rigid Pavement Requirements - WV008, MRW 89 400 kg, CG 38 %		Nov 01/19

CONTENT	CHG CODE	LAST REVISION DATE
FIGURE Rigid Pavement Requirements - WV009, MRW 78 400 kg, CG 39.21%		Nov 01/19
FIGURE Rigid Pavement Requirements - WV011, MRW 93 900 kg, CG 36.88 %		Nov 01/19
FIGURE Rigid Pavement Requirements - WV070, MRW 80 400 kg, CG 37 %		Nov 01/19
FIGURE Rigid Pavement Requirements - WV071, MRW 97 400 kg, CG 36.07 %		Nov 01/19
Subject 7-8-0 Rigid Pavement Requirements - LCN Conversion		May 01/15
Subject 7-9-0 Aircraft Classification Number - Flexible and Rigid Pavements		May 01/16
FIGURE Aircraft Classification Number - ACN Table		Dec 01/18
FIGURE Aircraft Classification Number - Flexible Pavement - WV004, MRW 78 400 kg, CG 41 %		May 01/14
FIGURE Aircraft Classification Number - Flexible Pavement - WV008, MRW 89 400 kg, CG 38 %		May 01/14
FIGURE Aircraft Classification Number - ACN Table		Nov 01/19
FIGURE Aircraft Classification Number - Flexible Pavement - WV009, MRW 78 400 kg, CG 39.21 %		Dec 01/17
FIGURE Aircraft Classification Number - Flexible Pavement - WV011, MRW 93 900 kg, CG 36.88 %		May 01/14
FIGURE Aircraft Classification Number - ACN Table		Nov 01/19
FIGURE Aircraft Classification Number - Flexible Pavement - WV070, MRW 80 400 kg, CG 37 %		Nov 01/19
FIGURE Aircraft Classification Number - Flexible Pavement - WV071, MRW 97 400 kg, CG 36.07 %		Nov 01/19
<u>CHAPTER 8</u>		
Subject 8-0-0 Scaled Drawings		Dec 01/15
FIGURE Scaled Drawing		Dec 01/15
FIGURE Scaled Drawing		Dec 01/15

CONTENT	CHG CODE	LAST REVISION DATE
<u>CHAPTER 10</u>		
Subject 10-0-0		
Aircraft Rescue and Fire Fighting		Nov 01/19
FIGURE Front Page		Nov 01/19
FIGURE Highly Flammable and Hazardous Materials and Components		Nov 01/19
FIGURE Highly Flammable and Hazardous Materials and Components for A321NEO-ACF		Nov 01/19
FIGURE Batteries Location and Access		Nov 01/19
FIGURE Wheel/Brake Overheat - Wheel Safety Area		Nov 01/19
FIGURE Composite Materials		Nov 01/19
FIGURE Composite Materials for A321NEO-ACF		Nov 01/19
FIGURE L/G Ground Lock Safety Devices		Nov 01/19
FIGURE Emergency Evacuation Devices		Nov 01/19
FIGURE Emergency Evacuation Devices for A321NEO-ACF		Nov 01/19
FIGURE Pax/Crew Doors and Emergency Exits		Nov 01/19
FIGURE Overwing Emergency Doors for A321NEO-ACF		Nov 01/19
FIGURE FWD and AFT Lower Deck Cargo Doors		Nov 01/19
FIGURE Control Panels		Nov 01/19
FIGURE APU Access Door		Nov 01/19
FIGURE Aircraft Ground Clearances		Nov 01/19
FIGURE Structural Break-in Points		Nov 01/19

TABLE OF CONTENTS

1	SCOPE
1-1-0	Introduction
1-2-0	Glossary
2	AIRCRAFT DESCRIPTION
2-1-1	General Aircraft Characteristics Data
2-2-0	General Aircraft Dimensions
2-3-0	Ground Clearances
2-4-1	Interior Arrangements - Plan View
2-5-0	Interior Arrangements - Cross Section
2-6-0	Cargo Compartments
2-7-0	Door Clearances and Location
2-8-0	Escape Slides
2-9-0	Landing Gear
2-10-0	Exterior Lighting
2-11-0	Antennas and Probes Location
2-12-0	Power Plant
2-13-0	Leveling, Symmetry and Alignment
2-14-0	Jacking
3	AIRCRAFT PERFORMANCE
3-1-0	General Information
3-2-1	Payload / Range - ISA Conditions
3-3-1	Take-off Weight Limitation - ISA Conditions
3-3-2	Take-off Weight Limitation - ISA +15 ° C (+59 ° F) Conditions
3-3-3	Aerodrome Reference Code
3-4-1	Landing Field Length - ISA Conditions
3-5-0	Final Approach Speed
4	GROUND MANEUVERING
4-1-0	General Information
4-2-0	Turning Radii
4-3-0	Minimum Turning Radii
4-4-0	Visibility from Cockpit in Static Position
4-5-0	Runway and Taxiway Turn Paths

- 4-5-1 135° Turn - Runway to Taxiway
- 4-5-2 90° Turn - Runway to Taxiway
- 4-5-3 180° Turn on a Runway
- 4-5-4 135° Turn - Taxiway to Taxiway
- 4-5-5 90° Turn - Taxiway to Taxiway
- 4-6-0 Runway Holding Bay (Apron)
- 4-7-0 Minimum Line-Up Distance Corrections
- 4-8-0 Aircraft Mooring

5 TERMINAL SERVICING

- 5-1-1 Aircraft Servicing Arrangements
- 5-1-2 Typical Ramp Layout - Open Apron
- 5-1-3 Typical Ramp Layout - Gate
- 5-2-0 Terminal Operations - Full Servicing Turn Round Time Chart
- 5-3-0 Terminal Operation - Outstation Turn Round Time Chart
- 5-4-1 Ground Service Connections
- 5-4-2 Grounding Points
- 5-4-3 Hydraulic System
- 5-4-4 Electrical System
- 5-4-5 Oxygen System
- 5-4-6 Fuel System
- 5-4-7 Pneumatic System
- 5-4-8 Oil System
- 5-4-9 Potable Water System
- 5-4-10 Waste Water System
- 5-5-0 Engine Starting Pneumatic Requirements
- 5-6-0 Ground Pneumatic Power Requirements
- 5-7-0 Preconditioned Airflow Requirements
- 5-8-0 Ground Towing Requirements
- 5-9-0 De-Icing and External Cleaning

6 OPERATING CONDITIONS

- 6-1-0 Engine Exhaust Velocities and Temperatures
- 6-1-1 Engine Exhaust Velocities Contours - Ground Idle Power
- 6-1-2 Engine Exhaust Temperatures Contours - Ground Idle Power
- 6-1-3 Engine Exhaust Velocities Contours - Breakaway Power
- 6-1-4 Engine Exhaust Temperatures Contours - Breakaway Power
- 6-1-5 Engine Exhaust Velocities Contours - Takeoff Power

6-1-6	Engine Exhaust Temperatures Contours - Takeoff Power
6-3-0	Danger Areas of Engines
6-3-1	Ground Idle Power
6-3-2	Breakaway Power
6-3-3	Max Take Off Power
6-4-1	APU
7	PAVEMENT DATA
7-1-0	General Information
7-2-0	Landing Gear Footprint
7-3-0	Maximum Pavement Loads
7-4-0	Landing Gear Loading on Pavement
7-5-0	Flexible Pavement Requirements - U.S. Army Corps of Engineers Design Method
7-6-0	Flexible Pavement Requirements - LCN Conversion
7-7-0	Rigid Pavement Requirements - Portland Cement Association Design Method
7-8-0	Rigid Pavement Requirements - LCN Conversion
7-9-0	ACN/PCN Reporting System - Flexible and Rigid Pavements
8	SCALED DRAWINGS
8-0-0	SCALED DRAWINGS
10	AIRCRAFT RESCUE AND FIRE FIGHTING
10-0-0	AIRCRAFT RESCUE AND FIRE FIGHTING

SCOPE

1-1-0 Introduction

****ON A/C A321-100 A321-200 A321neo**

Purpose

1. General

The A321 AIRCRAFT CHARACTERISTICS – AIRPORT AND MAINTENANCE PLANNING (AC) manual is issued for the A321-100 and A321-200 series aircraft equipped with wing-tip fences or sharklets, to provide necessary data to airport operators, airlines and Maintenance/Repair Organizations (MRO) for airport and maintenance facilities planning.

The A320 Family is the world's best-selling single-aisle aircraft. An A320 takes off or lands somewhere in the world every 1.5 seconds of every day, the family has logged more than 117 million cycles since entry-into-service and records a best-in-class dispatch reliability of 99.7%.

To ensure this true market leadership, Airbus continues to invest in improvements in the A320 Family: enhancements to aerodynamics such as the sharklet wingtip devices, upgrades to the widest passenger cabin in its class, the A320 Family neo. The latter combines top-of-class engine efficiency offered by two new engine options: the PW1100G PurePower from Pratt&Whitney and the LEAP-1A from CFM International with superior aerodynamics offered by the new sharklet devices.

The A321neo is the largest member of the A320 Family and the market leader in its segment enjoying around 80% of the market share. With its new door configuration, the A321neo is capable of accommodating up to 244 passengers while still providing high levels of passenger comfort.

Compared to the previous A321 variant, the most visible modifications are a new rear section and a modified passenger door configuration, where the door located forward of the wing is removed and new overwing emergency exits in the center section are introduced. The A321neo in new door configuration is an option today and will become standard for all A321neos in the future.

The A321neo in its new door configuration is also the base for a longer range variant known as the A321LR. The A321LR has an increased MTOW (Maximum Take-Off Weight) of 97 000 kg (213 848 lb) and two or three underfloor fuel tanks allowing airlines to increase its range up to 4 000 nm (7 408 km) for intercontinental flights.

The A320neo family offers a minimum of 15% fuel savings and an additional flight range of about 500 nm (926 km) and up to 20% fuel savings achieved through cabin innovations and efficiency improvements. For the environment, the A320neo family is also more eco-friendly, with 5 000 t (11 023 113 lb) less CO₂ emissions per year per aircraft and nearly 50% reduction in noise footprint compared to previous generation aircraft.

1-2-0 Glossary

****ON A/C A321-100 A321-200 A321neo**Glossary

1. List of Abbreviations

A/C	Aircraft
ACF	Aircraft Cabin Flex
ACN	Aircraft Classification Number
AMM	Aircraft Maintenance Manual
APU	Auxiliary Power Unit
B/C	Business Class
CBR	California Bearing Ratio
CC	Cargo Compartment
CG	Center of Gravity
CKPT	Cockpit
E	Young's Modulus
ELEC	Electric, Electrical, Electricity
ESWL	Equivalent Single Wheel Load
FAA	Federal Aviation Administration
F/C	First Class
FDL	Fuselage Datum Line
FR	Frame
FSTE	Full Size Trolley Equivalent
FWD	Forward
GPU	Ground Power Unit
GSE	Ground Support Equipment
HYD	Hydraulic
ICAO	International Civil Aviation Organisation
IDG	Integrated Drive Generator
ISA	International Standard Atmosphere
L	Left
L	Radius of relative stiffness
LCN	Load Classification Number
LD	Lower Deck
L/G	Landing Gear
LH	Left Hand
LPS	Last Pax Seating
MAC	Mean Aerodynamic Chord

MAX	Maximum
MIN	Minimum
MLG	Main Landing Gear
NLG	Nose Landing Gear
OAT	Outside Air Temperature
PAX	Passenger
PBB	Passenger Boarding Bridge
PCA	Portland Cement Association
PCN	Pavement Classification Number
PRM	Passenger with Reduced Mobility
R	Right
RH	Right Hand
ULD	Unit Load Device
US	United States
WV	Weight Variant
Y/C	Tourist Class

2. Design Weight Terminology

- Maximum Design Ramp Weight (MRW):
Maximum weight for ground maneuver (including weight of taxi and run-up fuel) as limited by aircraft strength and airworthiness requirements. It is also called Maximum Design Taxi Weight (MTW).
- Maximum Design Landing Weight (MLW):
Maximum weight for landing as limited by aircraft strength and airworthiness requirements.
- Maximum Design Takeoff Weight (MTOW):
Maximum weight for takeoff as limited by aircraft strength and airworthiness requirements. (This is the maximum weight at start of the take-off run).
- Maximum Design Zero Fuel Weight (MZFW):
Maximum permissible weight of the aircraft without usable fuel.
- Maximum Seating Capacity:
Maximum number of passengers specifically certified or anticipated for certification.
- Usable Volume:
Usable volume available for cargo, pressurized fuselage, passenger compartment and cockpit.
- Water Volume:
Maximum volume of cargo compartment.
- Usable Fuel:
Fuel available for aircraft propulsion.

AIRCRAFT DESCRIPTION

2-1-1 General Aircraft Characteristics Data

****ON A/C A321-100 A321-200 A321neo**

General Aircraft Characteristics Data

****ON A/C A321-100**

1. The following table provides characteristics of A321-100 models, these data are specific to each weight variant:

Aircraft Characteristics				
	WV000	WV002	WV003	WV004
Maximum Ramp Weight (MRW)	83 400 kg	83 400 kg	85 400 kg	78 400 kg
Maximum Taxi Weight (MTW)	(183 865 lb)	(183 865 lb)	(188 275 lb)	(172 842 lb)
Maximum Take-Off Weight (MTOW)	83 000 kg	83 000 kg	85 000 kg	78 000 kg
	(182 984 lb)	(182 984 lb)	(187 393 lb)	(171 961 lb)
Maximum Landing Weight (MLW)	73 500 kg	74 500 kg	74 500 kg	73 500 kg
	(162 040 lb)	(164 244 lb)	(164 244 lb)	(162 040 lb)
Maximum Zero Fuel Weight (MZFW)	69 500 kg	70 500 kg	70 500 kg	69 500 kg
	(153 221 lb)	(155 426 lb)	(155 426 lb)	(153 221 lb)

Aircraft Characteristics				
	WV005	WV006	WV007	WV008
Maximum Ramp Weight (MRW)	83 400 kg	78 400 kg	80 400 kg	89 400 kg
Maximum Taxi Weight (MTW)	(183 865 lb)	(172 842 lb)	(177 252 lb)	(197 093 lb)
Maximum Take-Off Weight (MTOW)	83 000 kg	78 000 kg	80 000 kg	89 000 kg
	(182 984 lb)	(171 961 lb)	(176 370 lb)	(196 211 lb)
Maximum Landing Weight (MLW)	75 000 kg	74 500 kg	73 500 kg	75 500 kg
	(165 347 lb)	(164 244 lb)	(162 040 lb)	(166 449 lb)
Maximum Zero Fuel Weight (MZFW)	71 000 kg	70 500 kg	69 500 kg	71 500 kg
	(156 528 lb)	(155 426 lb)	(153 221 lb)	(157 630 lb)

****ON A/C A321-200**

2. The following table provides characteristics of A321-200 models, these data are specific to each weight variant:

Aircraft Characteristics				
	WV000	WV001	WV002	WV003
Maximum Ramp Weight (MRW)	89 400 kg	93 400 kg	89 400 kg	91 400 kg
Maximum Taxi Weight (MTW)	(197 093 lb)	(205 912 lb)	(197 093 lb)	(201 502 lb)
Maximum Take-Off Weight (MTOW)	89 000 kg (196 211 lb)	93 000 kg (205 030 lb)	89 000 kg (196 211 lb)	91 000 kg (200 621 lb)
Maximum Landing Weight (MLW)	75 500 kg (166 449 lb)	77 800 kg (171 520 lb)	77 800 kg (171 520 lb)	77 800 kg (171 520 lb)
Maximum Zero Fuel Weight (MZFW)	71 500 kg (157 630 lb)	73 800 kg (162 701 lb)	73 800 kg (162 701 lb)	73 800 kg (162 701 lb)

Aircraft Characteristics				
	WV004	WV005	WV006	WV007
Maximum Ramp Weight (MRW)	87 400 kg	85 400 kg	83 400 kg	83 400 kg
Maximum Taxi Weight (MTW)	(192 684 lb)	(188 275 lb)	(183 865 lb)	(183 865 lb)
Maximum Take-Off Weight (MTOW)	87 000 kg (191 802 lb)	85 000 kg (187 393 lb)	83 000 kg (182 984 lb)	83 000 kg (182 984 lb)
Maximum Landing Weight (MLW)	75 500 kg (166 449 lb)	75 500 kg (166 449 lb)	75 500 kg (166 449 lb)	73 500 kg (162 040 lb)
Maximum Zero Fuel Weight (MZFW)	71 500 kg (157 630 lb)	71 500 kg (157 630 lb)	71 500 kg (157 630 lb)	69 500 kg (153 221 lb)

Aircraft Characteristics				
	WV008	WV009	WV010	WV011
Maximum Ramp Weight (MRW)	80 400 kg	78 400 kg	85 400 kg	93 900 kg
Maximum Taxi Weight (MTW)	(177 252 lb)	(172 842 lb)	(188 275 lb)	(207 014 lb)
Maximum Take-Off Weight (MTOW)	80 000 kg (176 370 lb)	78 000 kg (171 961 lb)	85 000 kg (187 393 lb)	93 500 kg (206 132 lb)
Maximum Landing Weight (MLW)	73 500 kg (162 040 lb)	73 500 kg (162 040 lb)	77 800 kg (171 520 lb)	77 800 kg (171 520 lb)
Maximum Zero Fuel Weight (MZFW)	69 500 kg (153 221 lb)	69 500 kg (153 221 lb)	73 800 kg (162 701 lb)	73 800 kg (162 701 lb)

****ON A/C A321neo**

3. The following table provides characteristics of A321NEO models, these data are specific to each weight variant:

Aircraft Characteristics							
	WV050	WV051	WV052	WV053	WV056	WV063	WV065
Maximum Ramp Weight (MRW) Maximum Taxi Weight (MTW)	89 400 kg (197 093 lb)	89 400 kg (197 093 lb)	93 900 kg (207 014 lb)	93 900 kg (207 014 lb)	92 900 kg (204 809 lb)	91 400 kg (201 502 lb)	90 900 kg (200 400 lb)
Maximum Take-Off Weight (MTOW)	89 000 kg (196 211 lb)	89 000 kg (196 211 lb)	93 500 kg (206 132 lb)	93 500 kg (206 132 lb)	92 500 kg (203 928 lb)	91 000 kg (200 621 lb)	90 500 kg (199 518 lb)
Maximum Landing Weight (MLW)	77 300 kg (170 417 lb)	79 200 kg (174 606 lb)	77 300 kg (170 417 lb)	79 200 kg (174 606 lb)	77 300 kg (170 417 lb)	79 200 kg (174 606 lb)	79 200 kg (174 606 lb)
Maximum Zero Fuel Weight (MZFW)	73 300 kg (161 599 lb)	75 600 kg (166 669 lb)	73 300 kg (161 599 lb)	75 600 kg (166 669 lb)	73 300 kg (161 599 lb)	75 600 kg (166 669 lb)	75 600 kg (166 669 lb)

Aircraft Characteristics				
	WV070	WV071 (ACF)	WV072 (ACF)	WV080
Maximum Ramp Weight (MRW) Maximum Taxi Weight (MTW)	80 400 kg (177 252 lb)	97 400 kg (214 730 lb)	97 400 kg (214 730 lb)	95 400 kg (210 321 lb)
Maximum Take-Off Weight (MTOW)	80 000 kg (176 370 lb)	97 000 kg (213 848 lb)	97 000 kg (213 848 lb)	95 000 kg (209 439 lb)
Maximum Landing Weight (MLW)	71 500 kg (157 630 lb)	77 300 kg (170 417 lb)	79 200 kg (174 606 lb)	79 200 kg (174 606 lb)
Maximum Zero Fuel Weight (MZFW)	67 000 kg (147 710 lb)	73 300 kg (161 599 lb)	75 600 kg (166 669 lb)	75 600 kg (166 669 lb)

****ON A/C A321-100 A321-200 A321neo**

4. The following table provides characteristics of A321-100, A321-200 and A321NEO models, these data are common to each weight variant:

Aircraft Characteristics	
Standard Seating Capacity	185 (Single-Class) 202 (Single-Class) for A321 ACF

Aircraft Characteristics					
Usable Fuel Capacity (density = 0.785 kg/l)	23 700 l - 26 692 l * - 29 684 l ** (6 261 US gal - 7 051 US gal * - 7 842 US gal **)				
		A321CEO CFMI	A321CEO IAE	A321NEO	A321NX
	ACT	2992 l (790 US gal)			3121 l (824 US gal)
	Basic Aircraft	24050 l (6353 US gal)	23700 l (6261 US gal)	23490 l (6205 US gal)	
	With 1 ACT	27042 l (7144 US gal)	26692 l (7051 US gal)	26482 l (6996 US gal)	26611 l (7030 US gal)
	With 2 ACTs	30034 l (7934 US gal)	29684 l (7842 US gal)	29474 l (7786 US gal)	29782 l (7868 US gal)
	With 3 ACTs (applicable only for ACF)	X	X	X	32853 l*** (8679 US gal***)
Pressurized Fuselage Volume (A/C non equipped)	418 m ³ (14 762 ft ³)				
Passenger Compartment Volume	155 m ³ (5 474 ft ³)				
Cockpit Volume	9 m ³ (318 ft ³)				
Usable Volume, FWD CC	22.81 m ³ (806 ft ³)				
Usable Volume, AFT CC	23.03 m ³ (813 ft ³)				
Usable Volume, Bulk CC	5.88 m ³ (208 ft ³)				
Water Volume, FWD CC	25.42 m ³ (898 ft ³)				
Water Volume, AFT CC	25.69 m ³ (907 ft ³)				
Water Volume, Bulk CC	7.76 m ³ (274 ft ³)				

* OPTION: 1 ACT
 ** OPTION: 2 ACT
 *** OPTION: 3 ACT



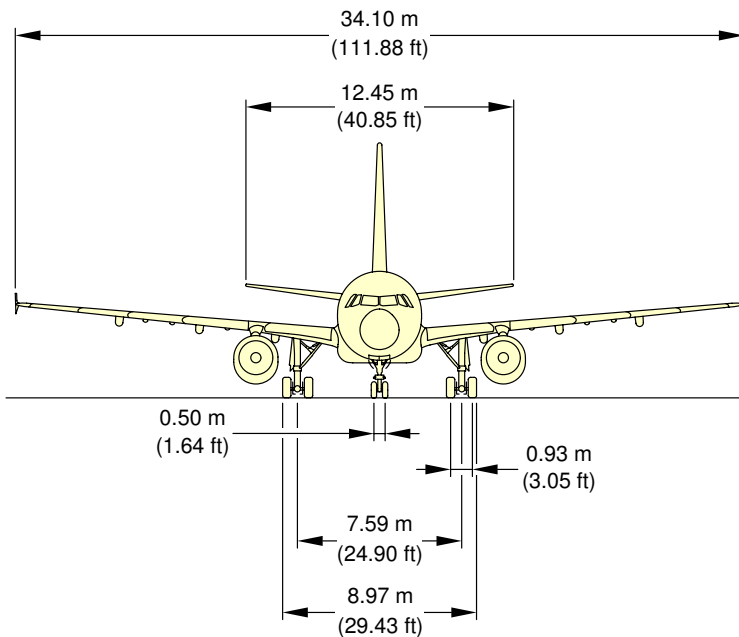
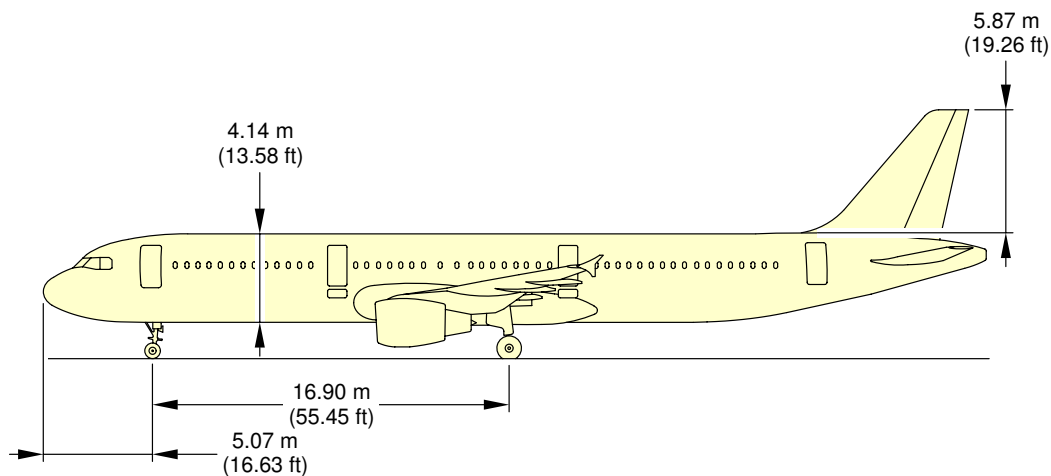
2-2-0 General Aircraft Dimensions

**ON A/C A321-100 A321-200 A321neo

General Aircraft Dimensions

1. This section provides general aircraft dimensions.

**ON A/C A321-100 A321-200

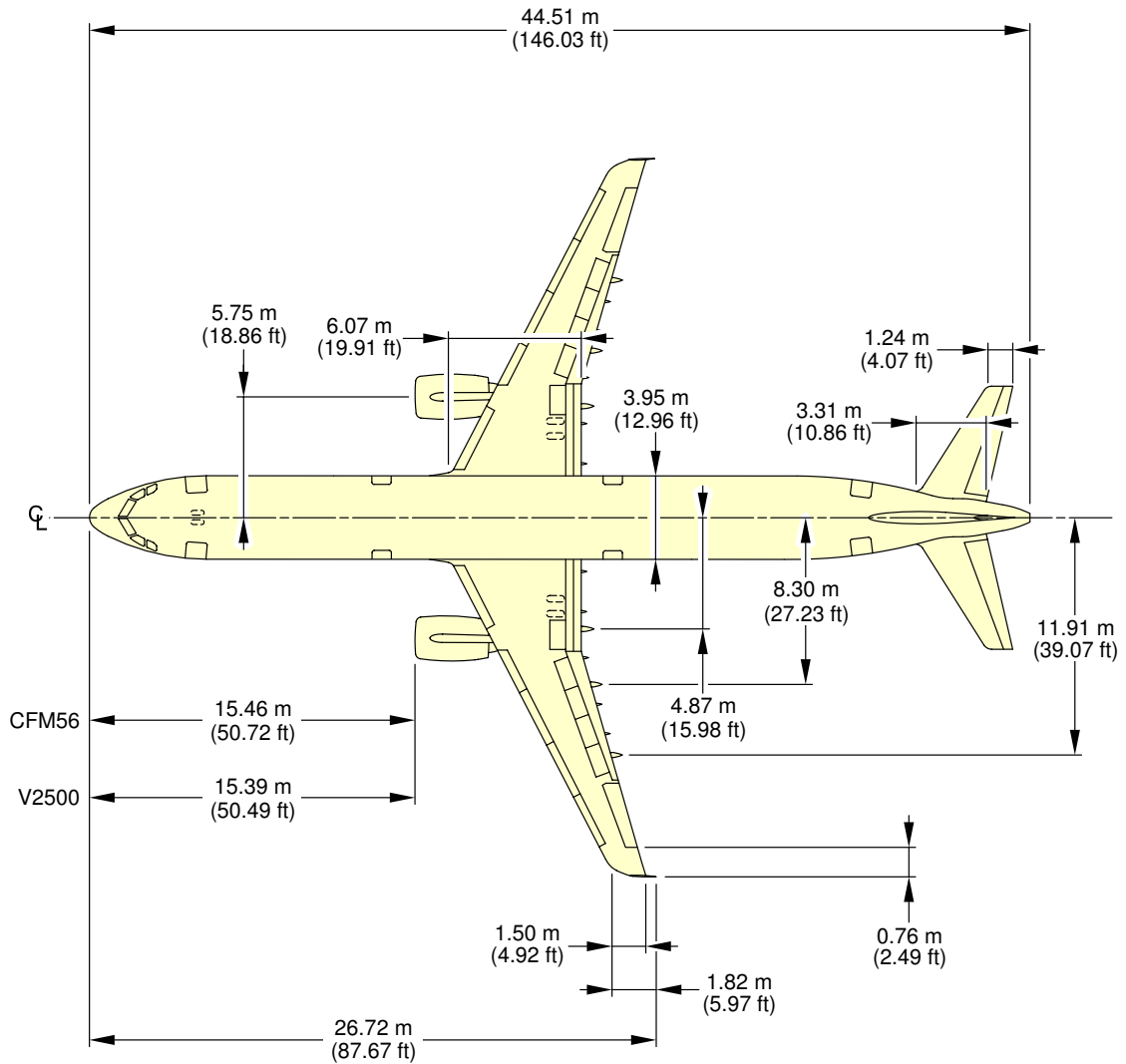


NOTE:
RELATED TO AIRCRAFT ATTITUDE AND WEIGHT.

N_AC_020200_1_0050101_01_04

General Aircraft Dimensions
Wing Tip Fence (Sheet 1 of 4)
FIGURE-2-2-0-991-005-A01

**ON A/C A321-100 A321-200

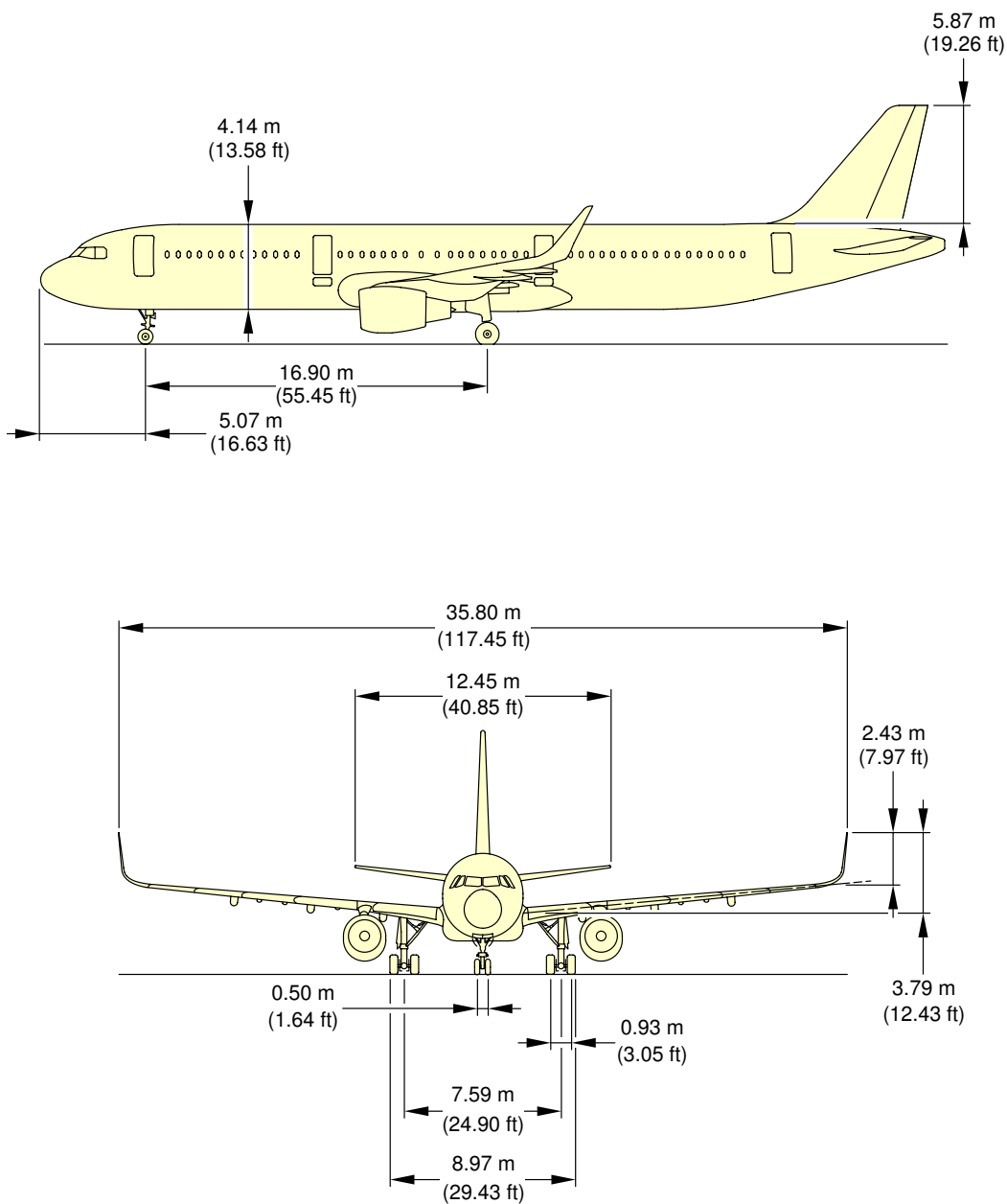


NOTE:
RELATED TO AIRCRAFT ATTITUDE AND WEIGHT.

N_AC_020200_1_0050104_01_02

General Aircraft Dimensions
Wing Tip Fence (Sheet 2 of 4)
FIGURE-2-2-0-991-005-A01

**ON A/C A321-100 A321-200

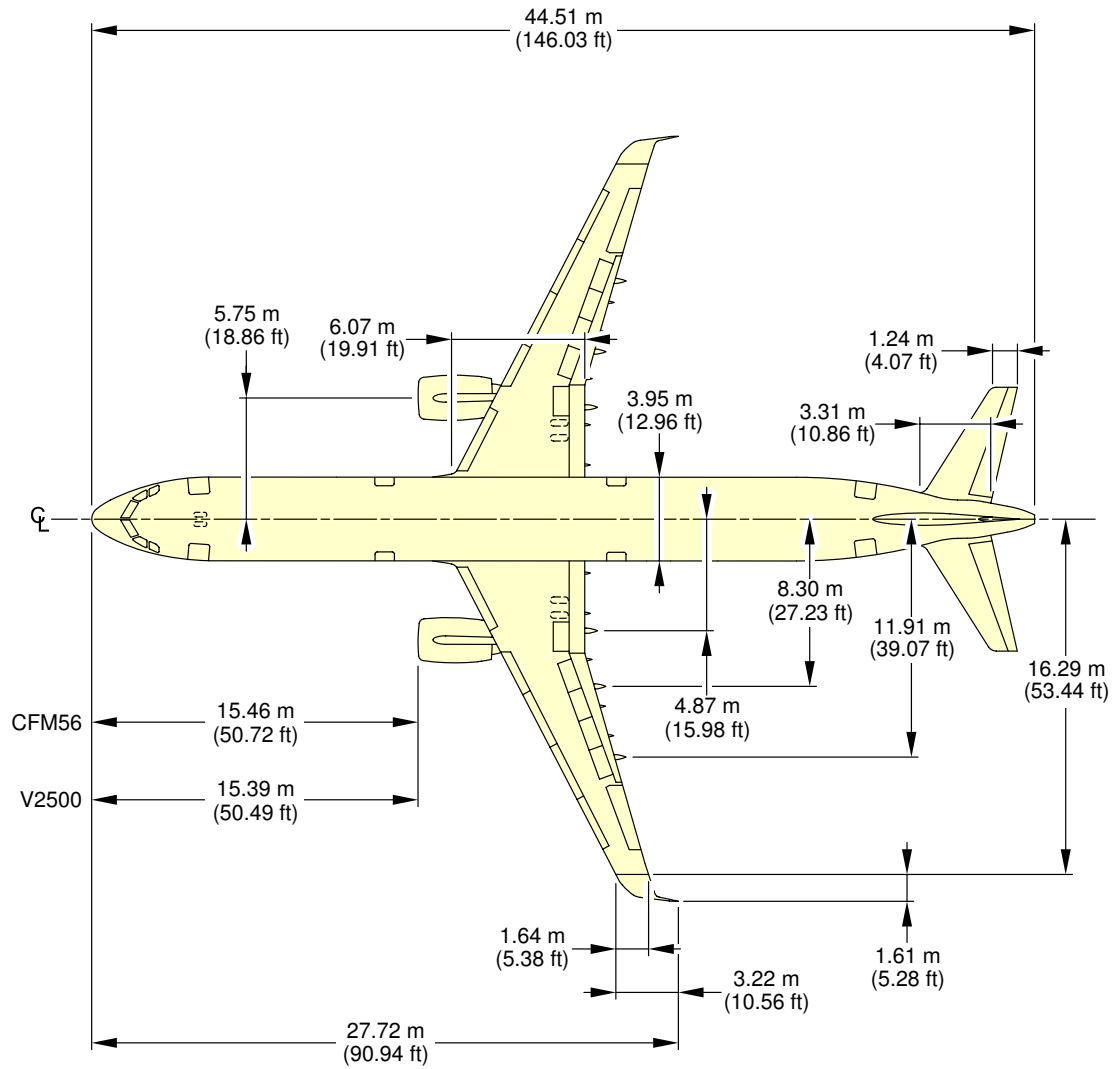


NOTE:
RELATED TO AIRCRAFT ATTITUDE AND WEIGHT.

N_AC_020200_1_0050103_01_02

General Aircraft Dimensions
Sharklet (Sheet 3 of 4)
FIGURE-2-2-0-991-005-A01

****ON A/C A321-100 A321-200**

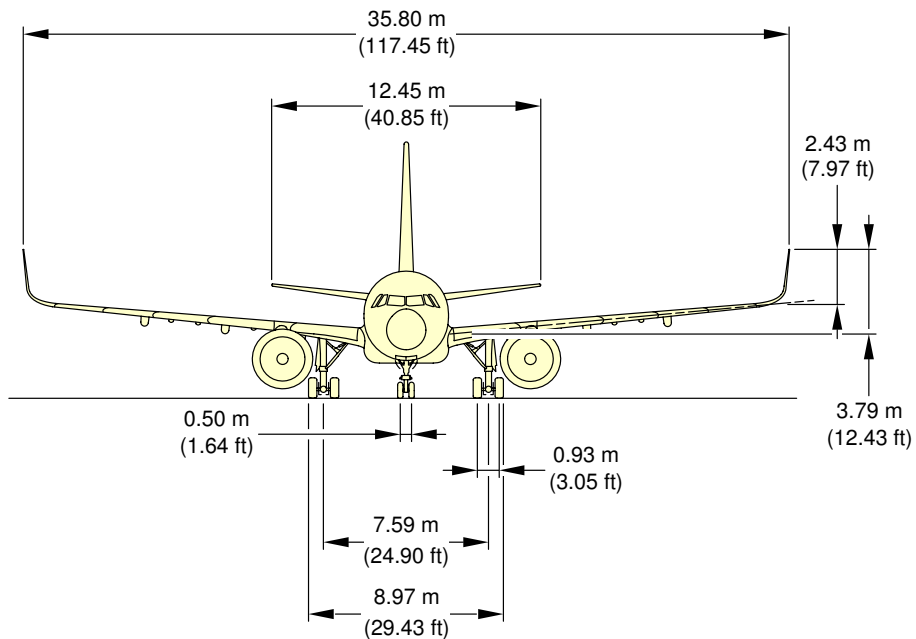
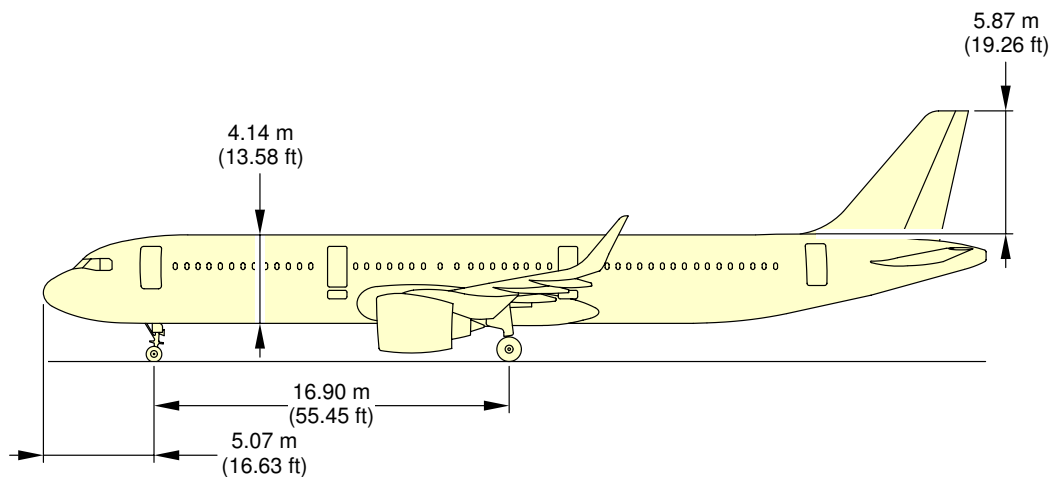


NOTE:
RELATED TO AIRCRAFT ATTITUDE AND WEIGHT.

N_AC_020200_1_0050105_01_02

General Aircraft Dimensions
Sharklet (Sheet 4 of 4)
FIGURE-2-2-0-991-005-A01

****ON A/C A321neo**

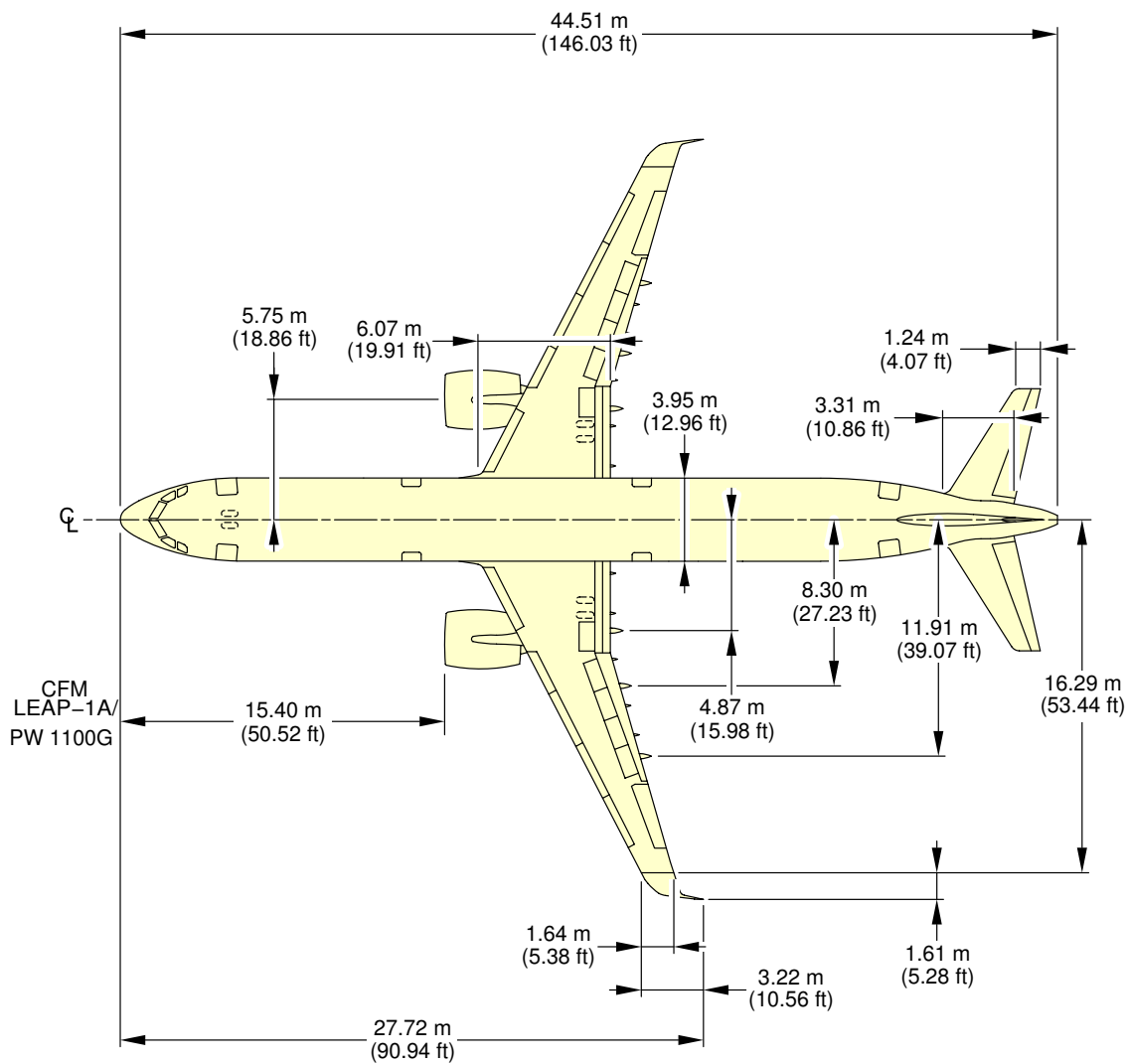


NOTE:
RELATED TO AIRCRAFT ATTITUDE AND WEIGHT.

N_AC_020200_1_0100101_01_01

General Aircraft Dimensions
(Sheet 1 of 2)
FIGURE-2-2-0-991-010-A01

****ON A/C A321neo**

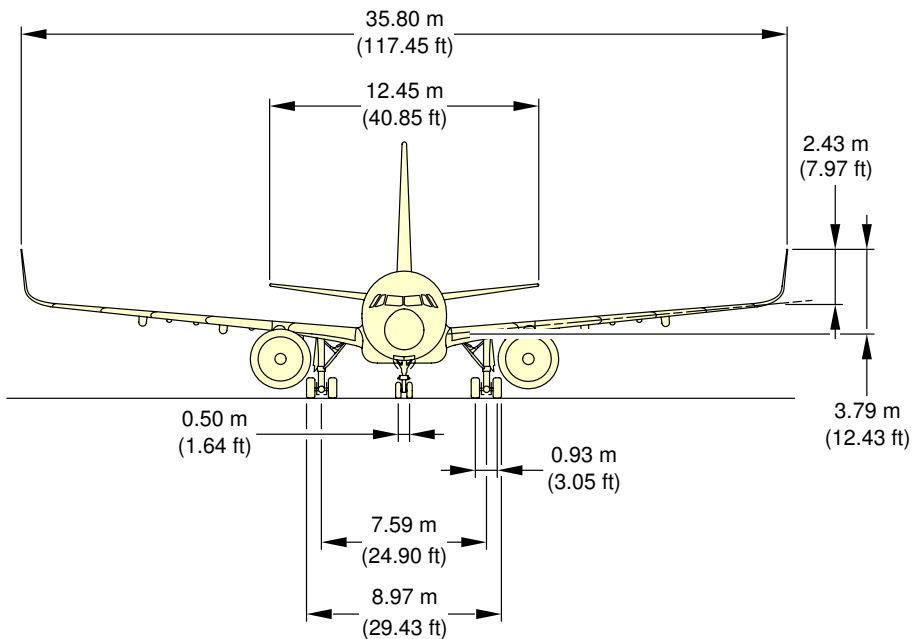
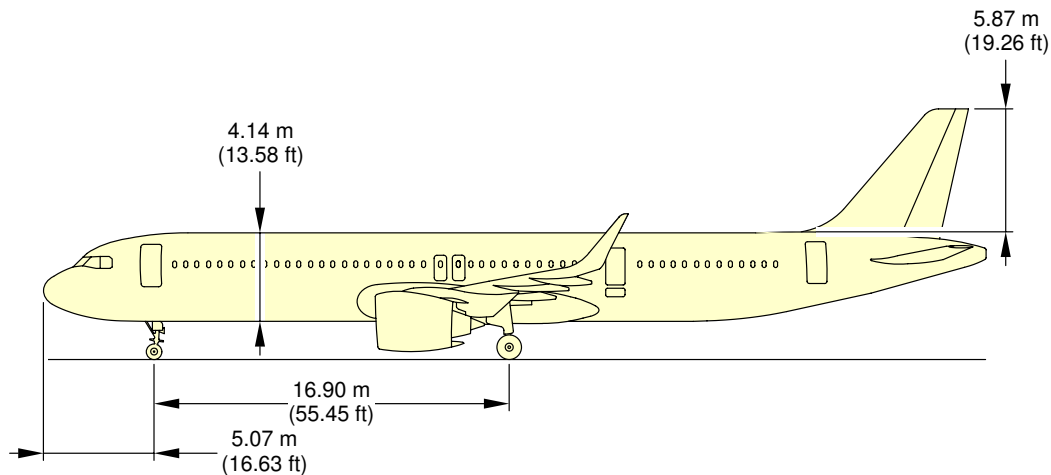


NOTE:
RELATED TO AIRCRAFT ATTITUDE AND WEIGHT.

N_AC_020200_1_0100102_01_01

General Aircraft Dimensions
(Sheet 2 of 2)
FIGURE-2-2-0-991-010-A01

****ON A/C A321neo**

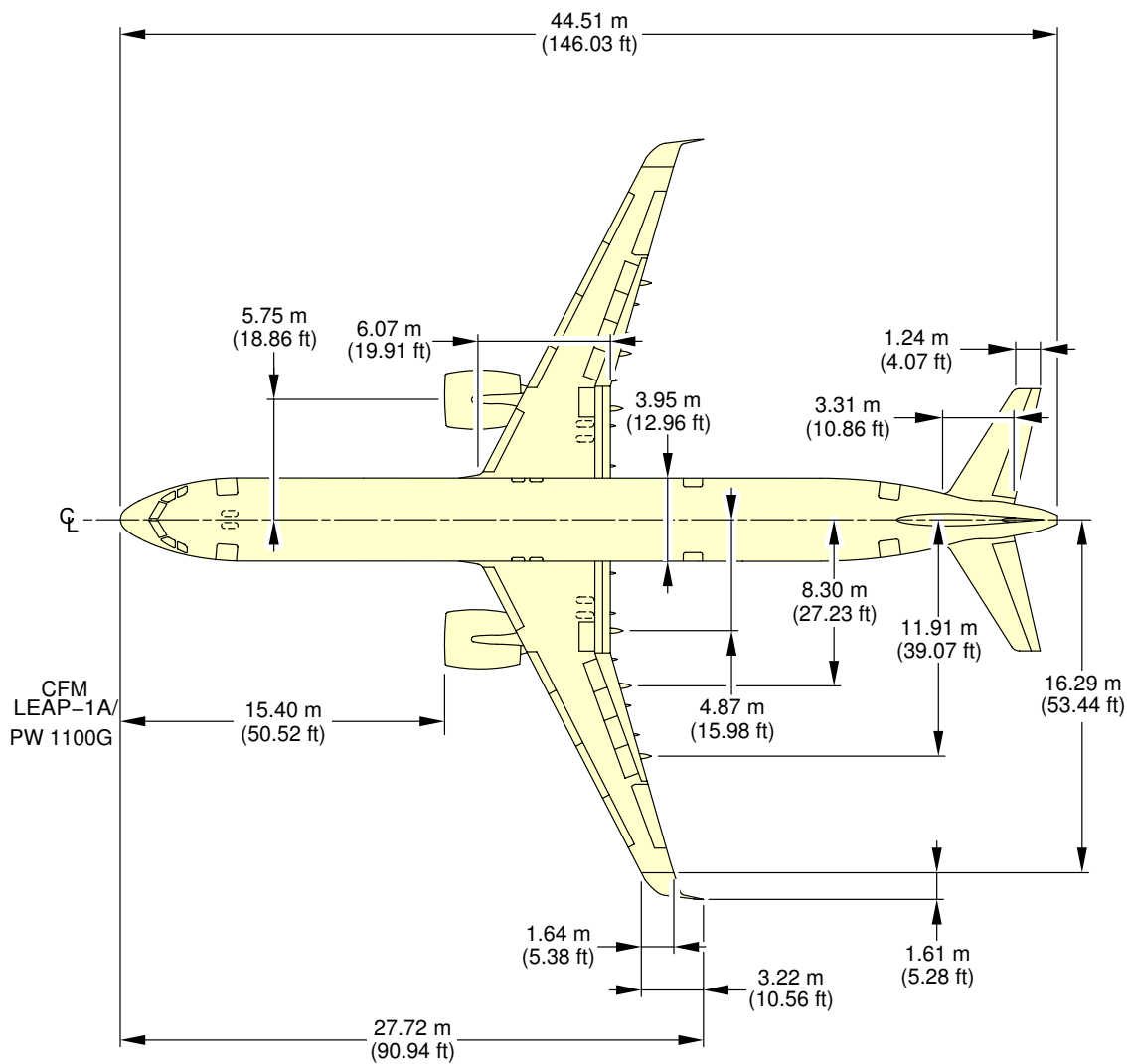


NOTE:
RELATED TO AIRCRAFT ATTITUDE AND WEIGHT.

N_AC_020200_1_0120101_01_00

General Aircraft Dimensions for A321NEO-ACF
(Sheet 1 of 2)
FIGURE-2-2-0-991-012-A01

**ON A/C A321neo



NOTE:
RELATED TO AIRCRAFT ATTITUDE AND WEIGHT.

N_AC_020200_1_0120102_01_00

General Aircraft Dimensions for A321NEO-ACF
(Sheet 2 of 2)
FIGURE-2-2-0-991-012-A01

2-3-0 Ground Clearances****ON A/C A321-100 A321-200 A321neo**Ground Clearances

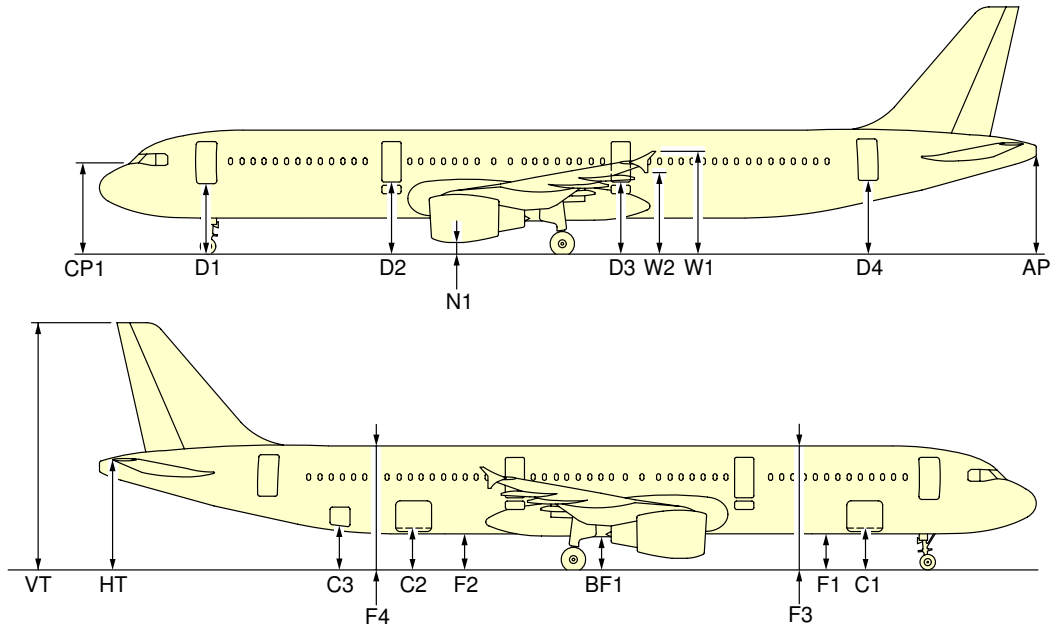
1. This section provides the height of various points of the aircraft, above the ground, for different aircraft configurations.
Dimensions in the tables are approximate and will vary with tire type, weight and balance and other special conditions.

The dimensions are given for:

- A light weight, for an A/C in maintenance configuration with a mid CG,
- An aircraft at Maximum Ramp Weight with a FWD CG and an AFT CG,
- Aircraft on jacks, FDL at 4.60 m (15.09 ft).

NOTE : Passenger and cargo door ground clearances are measured from the center of the door sill and from floor level.

****ON A/C A321-100 A321-200**



A/C CONFIGURATION		MRW				47 000 kg (103 617 lb)		A/C JACKED FDL = 4.60 m (15.09 ft)	
		FWD CG (19%)		AFT CG (36.9%)		CG (25%)		m	ft
		m	ft	m	ft	m	ft		
DOORS	D1	3.39	11.12	3.47	11.38	3.50	11.48	4.13	13.55
	D2	3.45	11.32	3.48	11.42	3.57	11.71	4.13	13.55
	D3	3.89	12.76	3.90	12.80	4.01	13.16	4.54	14.89
	D4	3.61	11.84	3.53	11.58	3.73	12.24	4.13	13.55
	C1	1.99	6.53	2.05	6.73	2.10	6.89	2.71	8.89
FUSELAGE	C2	2.14	7.02	2.09	6.86	2.26	7.41	2.71	8.89
	C3	2.20	7.22	2.14	7.02	2.33	7.64	2.75	9.02
	F1	1.73	5.68	1.78	5.84	1.84	6.04	2.43	7.97
	F2	1.87	6.14	1.82	5.97	1.99	6.53	2.43	7.97
	F3	5.87	19.26	5.92	19.42	5.98	19.62	6.58	21.59
WINGS	F4	6.01	19.72	5.96	19.55	6.13	20.11	6.58	21.59
	BF1	1.64	5.38	1.62	5.31	1.76	5.77	2.26	7.41
	CP1	4.19	13.75	4.29	14.07	4.30	14.11	4.96	16.27
TAILPLANE	W1	4.76	15.62	4.73	15.52	4.88	16.01	5.35	17.55
	W2	3.79	12.43	3.76	12.34	3.91	12.83	4.38	14.37
ENGINE/ NACELLE	HT	5.45	17.88	5.34	17.52	5.58	18.31	5.93	19.46
	AP	4.73	15.52	4.61	15.12	4.86	15.94	5.20	17.06
ENGINE/ NACELLE	VT	11.97	39.27	11.85	38.88	12.10	39.70	12.45	40.85
	N1 (CFM)	0.59	1.94	0.60	1.97	0.71	2.33	1.24	4.07
	N1 (IAE)	0.77	2.53	0.78	2.56	0.89	2.92	1.42	4.66

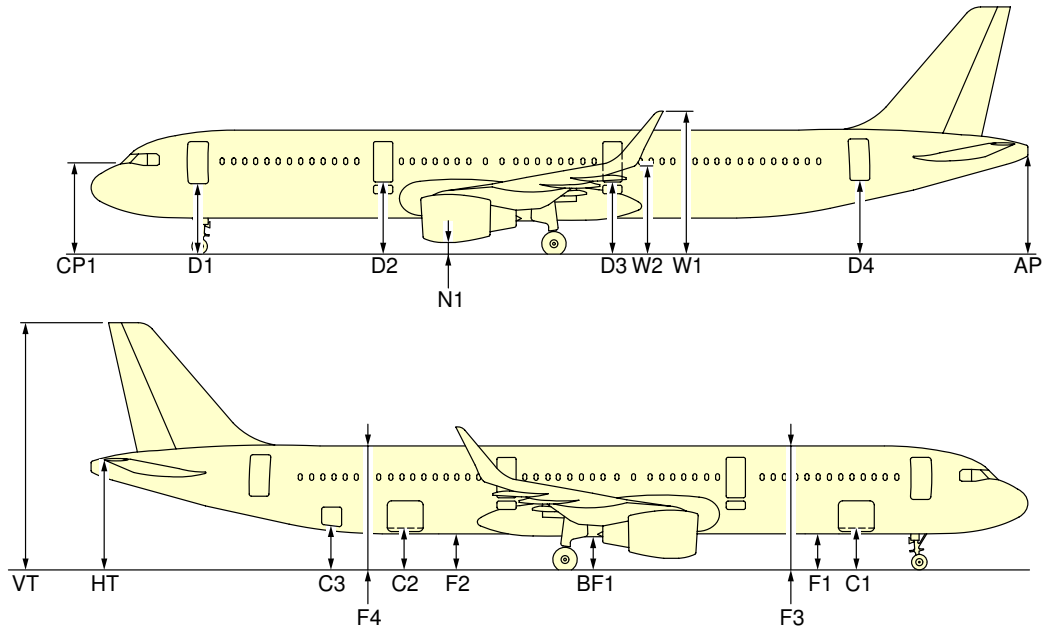
NOTE:

PASSENGER AND CARGO DOOR GROUND CLEARANCES ARE MEASURED FROM THE CENTER OF THE DOOR SILL AND FROM FLOOR LEVEL.

N_AC_020300_1_0050101_01_06

Ground Clearances
Wing Tip Fence
FIGURE-2-3-0-991-005-A01

****ON A/C A321-100 A321-200**



A/C CONFIGURATION		MRW				47 000 kg (103 617 lb)		A/C JACKED FDL = 4.60 m (15.09 ft)	
		FWD CG (19%)		AFT CG (36.9%)		CG (25%)		m	ft
		m	ft	m	ft	m	ft		
DOORS	D1	3.39	11.12	3.47	11.38	3.50	11.48	4.13	13.55
	D2	3.45	11.32	3.48	11.42	3.57	11.71	4.13	13.55
	D3	3.89	12.76	3.90	12.80	4.01	13.16	4.54	14.89
	D4	3.61	11.84	3.53	11.58	3.73	12.24	4.13	13.55
	C1	1.99	6.53	2.05	6.73	2.10	6.89	2.71	8.89
FUSELAGE	C2	2.14	7.02	2.09	6.86	2.26	7.41	2.71	8.89
	C3	2.20	7.22	2.14	7.02	2.33	7.64	2.75	9.02
	F1	1.73	5.68	1.78	5.84	1.84	6.04	2.43	7.97
	F2	1.87	6.14	1.82	5.97	1.99	6.53	2.43	7.97
	F3	5.87	19.26	5.92	19.42	5.98	19.62	6.58	21.59
WINGS	F4	6.01	19.72	5.96	19.55	6.13	20.11	6.58	21.59
	BF1	1.64	5.38	1.62	5.31	1.76	5.77	2.26	7.41
TAILPLANE	CP1	4.19	13.75	4.29	14.07	4.30	14.11	4.96	16.27
	W1	6.70	21.98	6.67	21.88	6.82	22.38	7.29	23.92
ENGINE/ NACELLE	W2	4.06	13.32	4.03	13.22	4.18	13.71	4.65	15.26
	HT	5.45	17.88	5.34	17.52	5.58	18.31	5.93	19.46
	AP	4.73	15.52	4.61	15.12	4.86	15.94	5.20	17.06
ENGINE/ NACELLE	VT	11.97	39.27	11.85	38.88	12.10	39.70	12.45	40.85
	N1 (CFM)	0.59	1.94	0.60	1.97	0.71	2.33	1.24	4.07
	N1 (IAE)	0.77	2.53	0.78	2.56	0.89	2.92	1.42	4.66

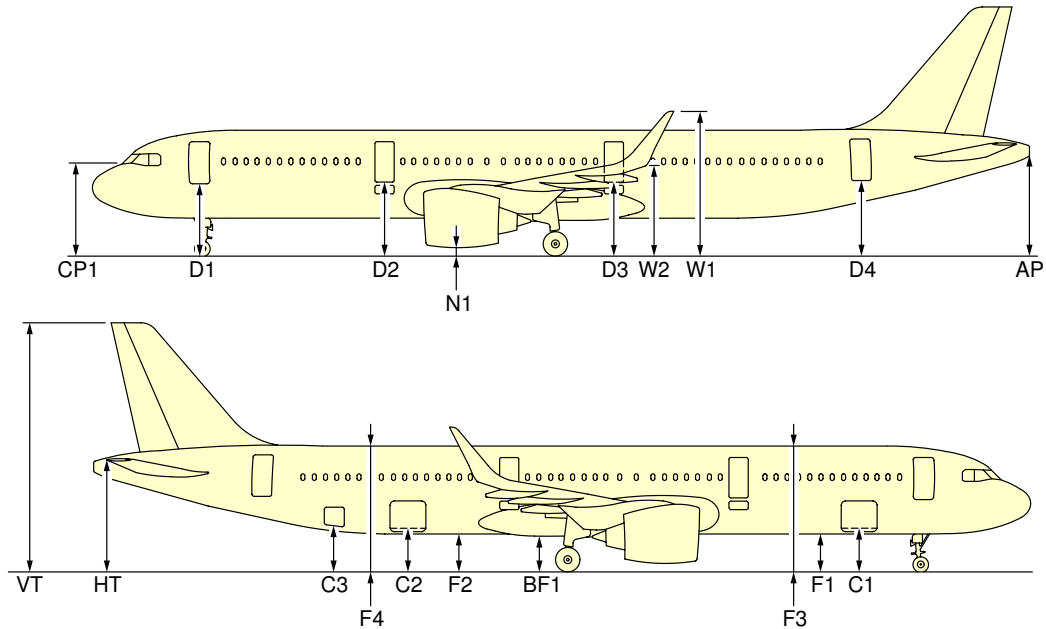
NOTE:

PASSENGER AND CARGO DOOR GROUND CLEARANCES ARE MEASURED FROM THE CENTER OF THE DOOR SILL AND FROM FLOOR LEVEL.

N_AC_020300_1_0300101_01_02

Ground Clearances
Sharklet
FIGURE-2-3-0-991-030-A01

****ON A/C A321neo**



A/C CONFIGURATION		MRW				47 000 kg (103 617 lb)		A/C JACKED FDL = 4.60 m (15.09 ft)	
		FWD CG (19%)		AFT CG (36.9%)		CG (25%)			
		m	ft	m	ft	m	ft	m	ft
DOORS	D1	3.39	11.12	3.47	11.38	3.50	11.48	4.13	13.55
	D2	3.45	11.32	3.48	11.42	3.57	11.71	4.13	13.55
	D3	3.89	12.76	3.90	12.80	4.01	13.16	4.54	14.89
	D4	3.61	11.84	3.53	11.58	3.73	12.24	4.13	13.55
	C1	1.99	6.53	2.05	6.73	2.10	6.89	2.71	8.89
	C2	2.14	7.02	2.09	6.86	2.26	7.41	2.71	8.89
FUSELAGE	C3	2.20	7.22	2.14	7.02	2.33	7.64	2.75	9.02
	F1	1.73	5.68	1.78	5.84	1.84	6.04	2.43	7.97
	F2	1.87	6.14	1.82	5.97	1.99	6.53	2.43	7.97
	F3	5.87	19.26	5.92	19.42	5.98	19.62	6.58	21.59
	F4	6.01	19.72	5.96	19.55	6.13	20.11	6.58	21.59
	BF1	1.64	5.38	1.62	5.31	1.76	5.77	2.26	7.41
WINGS	CP1	4.19	13.75	4.29	14.07	4.30	14.11	4.96	16.27
	W1	6.70	21.98	6.67	21.88	6.82	22.38	7.29	23.92
TAILPLANE	W2	4.06	13.32	4.03	13.22	4.18	13.71	4.65	15.26
	HT	5.45	17.88	5.34	17.52	5.58	18.31	5.93	19.46
	AP	4.73	15.52	4.61	15.12	4.86	15.94	5.20	17.06
ENGINE/ NACELLE	VT	11.97	39.27	11.85	38.88	12.10	39.70	12.45	40.85
	N1 (CFM LEAP-1A)	0.46	1.51	0.47	1.54	0.58	1.90	1.13	3.71
	N1 (PW 1100G)	0.46	1.51	0.47	1.54	0.58	1.90	1.13	3.71

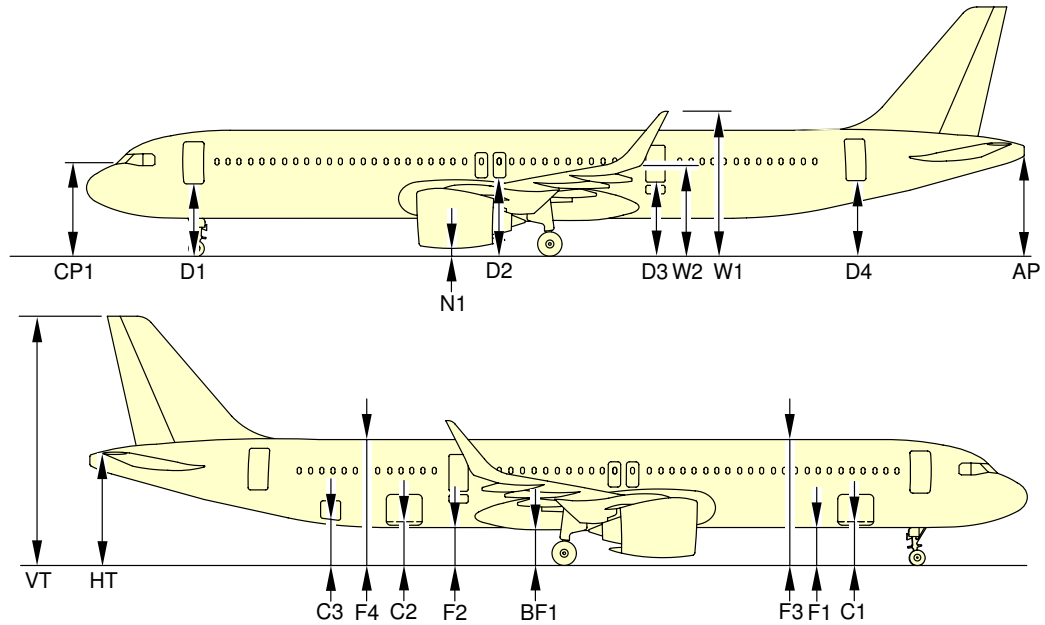
NOTE:

PASSENGER AND CARGO DOOR GROUND CLEARANCES ARE MEASURED FROM THE CENTER OF THE DOOR SILL AND FROM FLOOR LEVEL.

N_AC_020300_1_0340101_01_01

Ground Clearances
FIGURE-2-3-0-991-034-A01

****ON A/C A321neo**



A/C CONFIGURATION		MRW				47 000 kg (103 617 lb)		A/C JACKED FDL = 4.60 m (15.09 ft)	
		FWD CG (19%)		AFT CG (36.9%)		CG (25%)			
		m	ft	m	ft	m	ft	m	ft
DOORS	D1	3.39	11.12	3.47	11.38	3.50	11.48	4.13	13.55
	D2	3.80	12.47	3.83	12.57	3.93	12.89	4.46	14.63
	D3	3.89	12.76	3.90	12.80	4.01	13.16	4.54	14.90
	D4	3.61	11.84	3.53	11.58	3.73	12.24	4.13	13.55
	C1	1.99	6.53	2.05	6.73	2.10	6.89	2.71	8.89
	C2	2.14	7.02	2.09	6.86	2.26	7.41	2.71	8.89
FUSELAGE	C3	2.20	7.22	2.14	7.02	2.33	7.64	2.75	9.02
	F1	1.73	5.68	1.78	5.84	1.84	6.04	2.43	7.97
	F2	1.87	6.14	1.82	5.97	1.99	6.53	2.43	7.97
	F3	5.87	19.26	5.92	19.42	5.98	19.62	6.58	21.59
	F4	6.01	19.72	5.96	19.55	6.13	20.11	6.58	21.59
	BF1	1.64	5.38	1.62	5.31	1.76	5.77	2.26	7.41
WINGS	CP1	4.19	13.75	4.29	14.07	4.30	14.11	4.96	16.27
	W1	6.70	21.98	6.67	21.88	6.82	22.38	7.29	23.92
TAILPLANE	W2	4.06	13.32	4.03	13.22	4.18	13.71	4.65	15.26
	HT	5.45	17.88	5.34	17.52	5.58	18.31	5.93	19.46
	AP	4.73	15.52	4.61	15.12	4.86	15.94	5.20	17.06
ENGINE/ NACELLE	VT	11.97	39.27	11.85	38.88	12.10	39.70	12.45	40.85
	N1 (CFM LEAP-1A)	0.46	1.51	0.47	1.54	0.58	1.90	1.13	3.71
	N1 (PW 1100G)	0.46	1.51	0.47	1.54	0.58	1.90	1.13	3.71

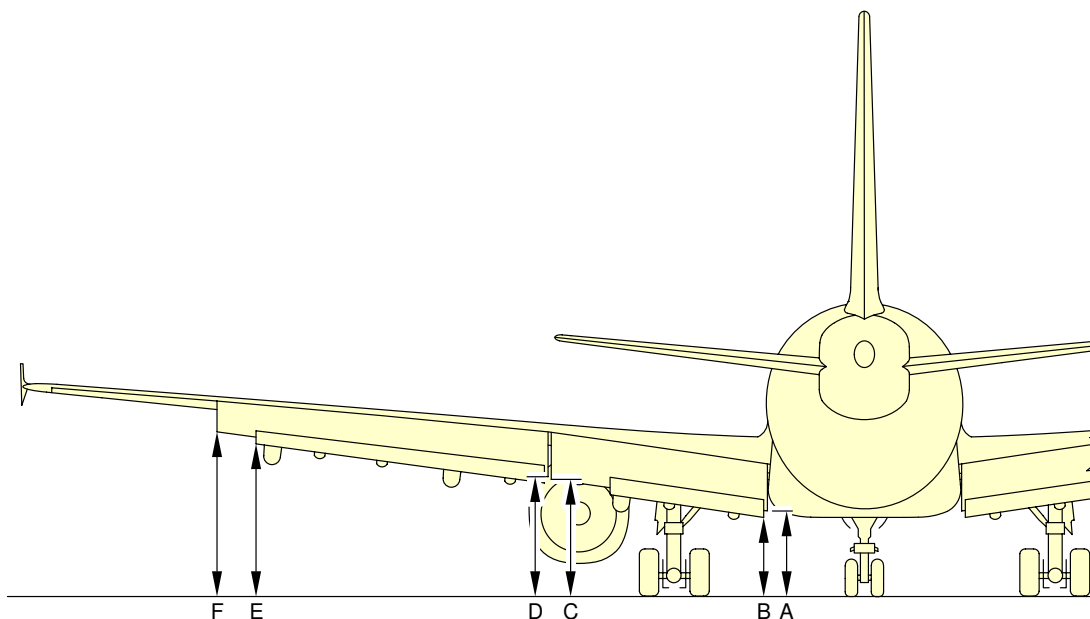
NOTE:

PASSENGER AND CARGO DOOR GROUND CLEARANCES ARE MEASURED FROM THE CENTER OF THE DOOR SILL AND FROM FLOOR LEVEL.

N_AC_020300_1_0480101_01_00

Ground Clearances for A321NEO-ACF
FIGURE-2-3-0-991-048-A01

**ON A/C A321-100 A321-200 A321neo

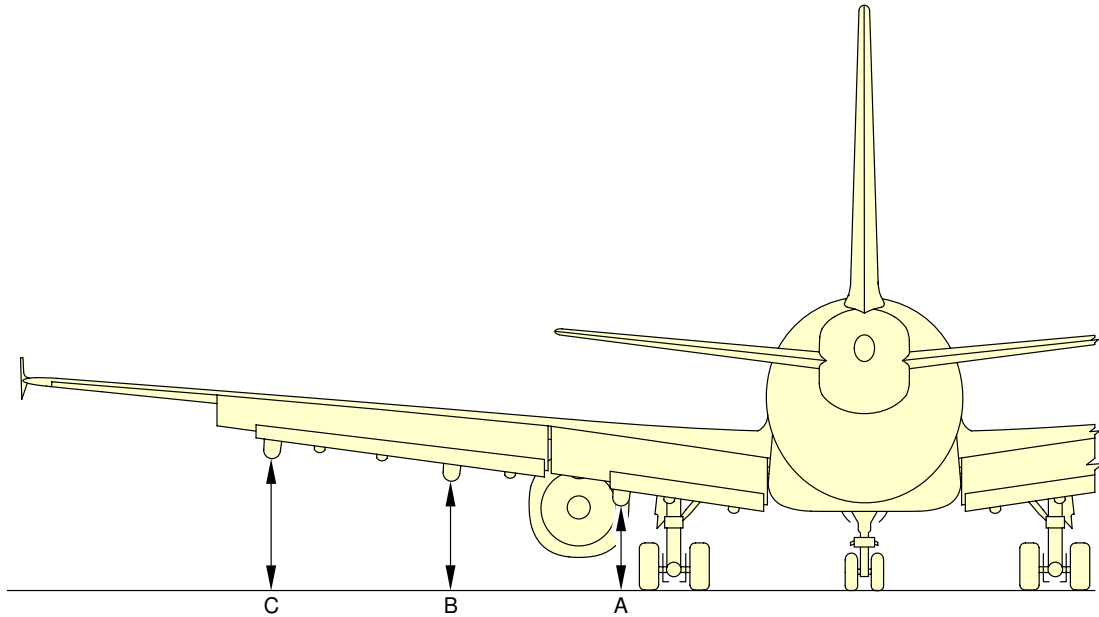


FLAPS EXTENDED							
DESCRIPTION		A/C IN MAINTENANCE CONFIGURATION MID CG		MAXIMUM RAMP WEIGHT FWD CG		MAXIMUM RAMP WEIGHT AFT CG	
		m	ft	m	ft	m	ft
FLAP 1 INBD	A	2.49	8.17	2.37	7.78	2.34	7.68
FLAP 1 TAB INBD	B	1.95	6.40	1.83	6.00	1.80	5.91
FLAP 1 OUTBD	C	2.71	8.89	2.60	8.53	2.57	8.43
FLAP 2 INBD	D	2.84	9.32	2.73	8.96	2.70	8.86
FLAP 2 TAB OUTBD	E	3.53	11.58	3.41	11.19	3.37	11.06
FLAP 2 OUTBD	F	3.74	12.27	3.62	11.88	3.58	11.75

N_AC_020300_1_0220101_01_01

Ground Clearances
Trailing Edge Flaps - Extended
FIGURE-2-3-0-991-022-A01

****ON A/C A321-100 A321-200 A321neo**

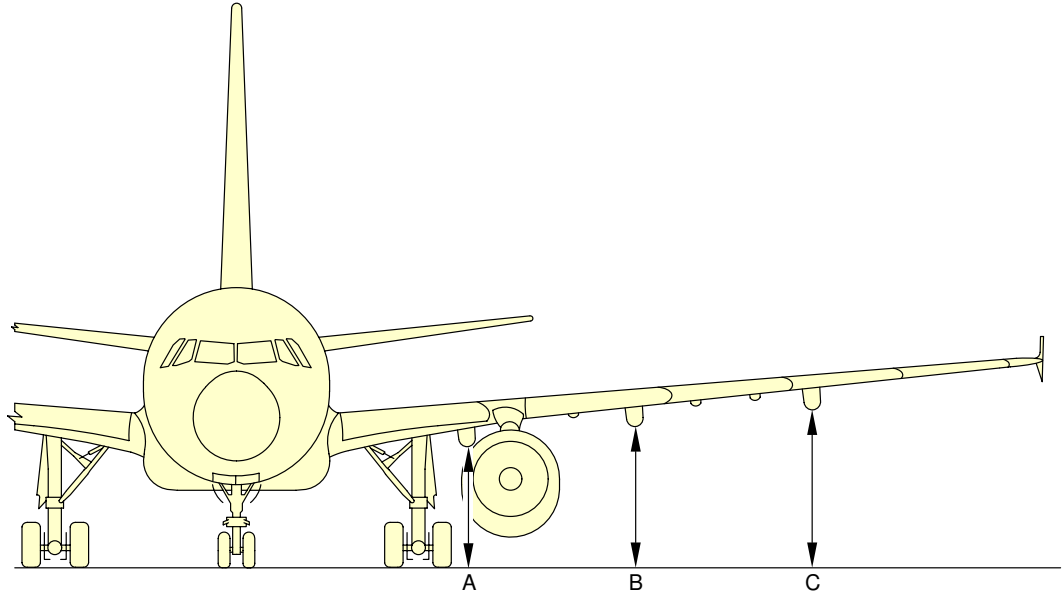


FLAP TRACKS EXTENDED							
DESCRIPTION		A/C IN MAINTENANCE CONFIGURATION MID CG		MAXIMUM RAMP WEIGHT FWD CG		MAXIMUM RAMP WEIGHT AFT CG	
		m	ft	m	ft	m	ft
FLAP TRACK 2	A	1.91	6.27	1.79	5.87	1.76	5.77
FLAP TRACK 3	B	2.31	7.58	2.19	7.19	2.15	7.05
FLAP TRACK 4	C	2.96	9.71	2.84	9.32	2.79	9.15

N_AC_020300_1_0450101_01_00

Ground Clearances
Flap Tracks - Extended
FIGURE-2-3-0-991-045-A01

****ON A/C A321-100 A321-200 A321neo**

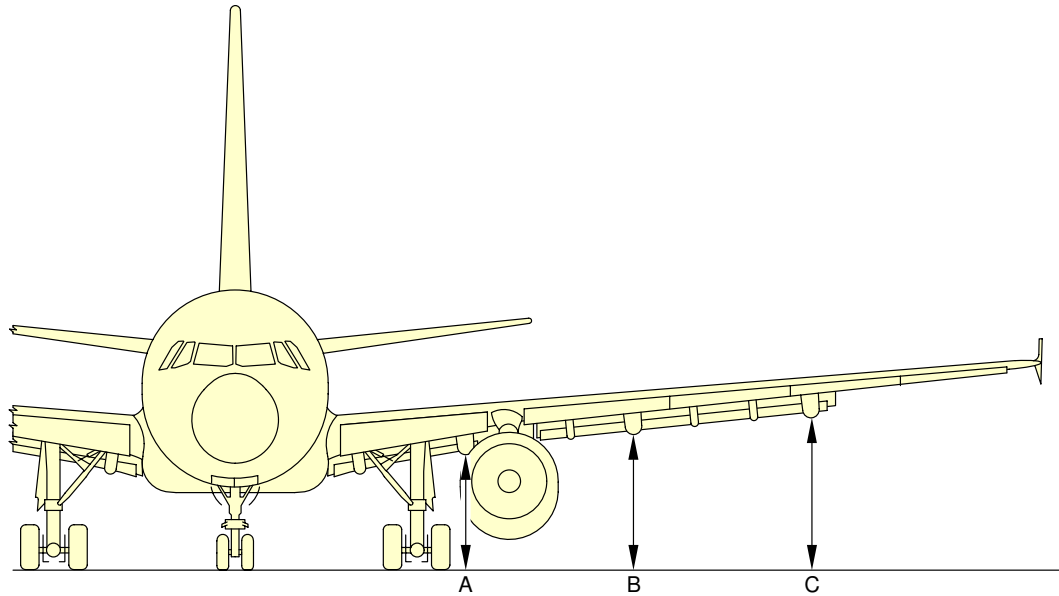


FLAP TRACKS RETRACTED							
DESCRIPTION		A/C IN MAINTENANCE CONFIGURATION MID CG		MAXIMUM RAMP WEIGHT FWD CG		MAXIMUM RAMP WEIGHT AFT CG	
		m	ft	m	ft	m	ft
FLAP TRACK 2	A	2.70	8.86	2.60	8.53	2.58	8.46
FLAP TRACK 3	B	3.10	10.17	3.00	9.84	2.97	9.74
FLAP TRACK 4	C	3.50	11.48	3.39	11.12	3.36	11.02

N_AC_020300_1_0230101_01_01

Ground Clearances
Flap Tracks - Retracted
FIGURE-2-3-0-991-023-A01

****ON A/C A321-100 A321-200 A321neo**

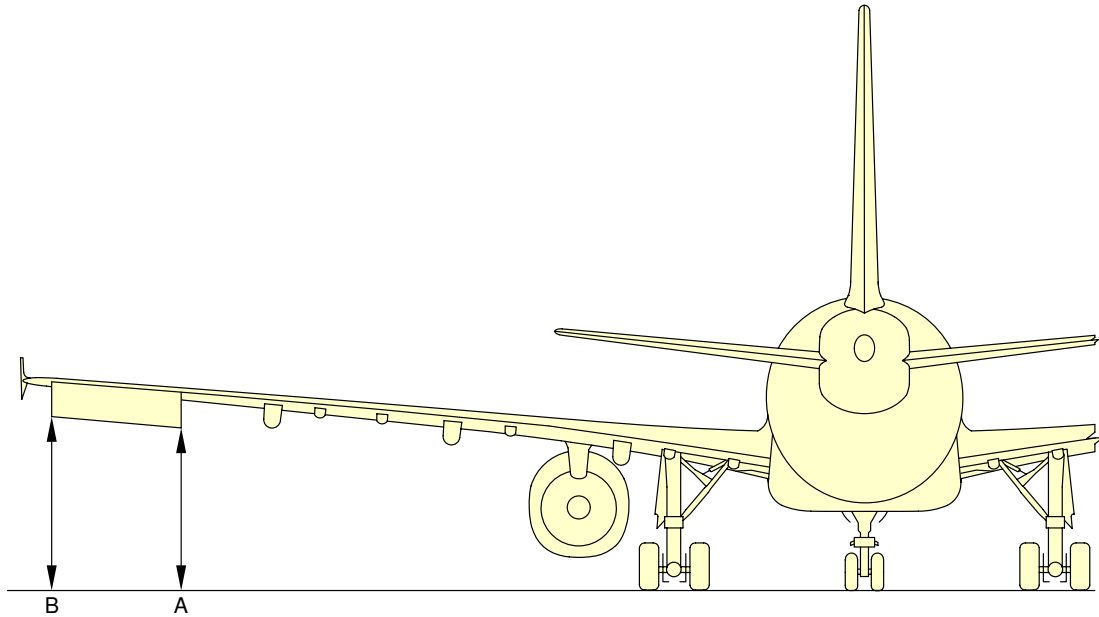


FLAP TRACKS 1+F							
DESCRIPTION		A/C IN MAINTENANCE CONFIGURATION MID CG		MAXIMUM RAMP WEIGHT FWD CG		MAXIMUM RAMP WEIGHT AFT CG	
		m	ft	m	ft	m	ft
FLAP TRACK 2	A	1.95	6.40	1.85	6.07	1.83	6.00
FLAP TRACK 3	B	2.31	7.58	2.21	7.25	2.18	7.15
FLAP TRACK 4	C	2.89	9.48	2.78	9.12	2.75	9.02

N_AC_020300_1_0460101_01_00

Ground Clearances
Flap Tracks - 1 + F
FIGURE-2-3-0-991-046-A01

****ON A/C A321-100 A321-200 A321neo**

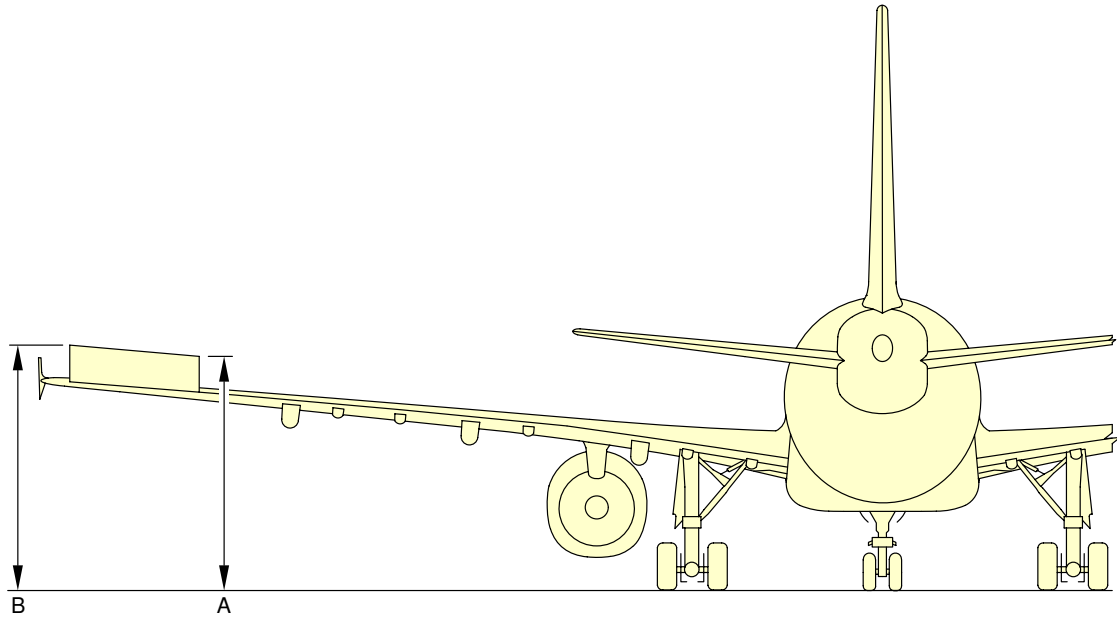


AILERON DOWN							
DESCRIPTION		A/C IN MAINTENANCE CONFIGURATION MID CG		MAXIMUM RAMP WEIGHT FWD CG		MAXIMUM RAMP WEIGHT AFT CG	
		m	ft	m	ft	m	ft
AILERON INBD	A	3.81	12.50	3.70	12.14	3.67	12.04
AILERON OUTBD	B	4.15	13.62	4.03	13.22	4.00	13.12

N_AC_020300_1_0240101_01_01

Ground Clearances
Aileron Down
FIGURE-2-3-0-991-024-A01

****ON A/C A321-100 A321-200 A321neo**

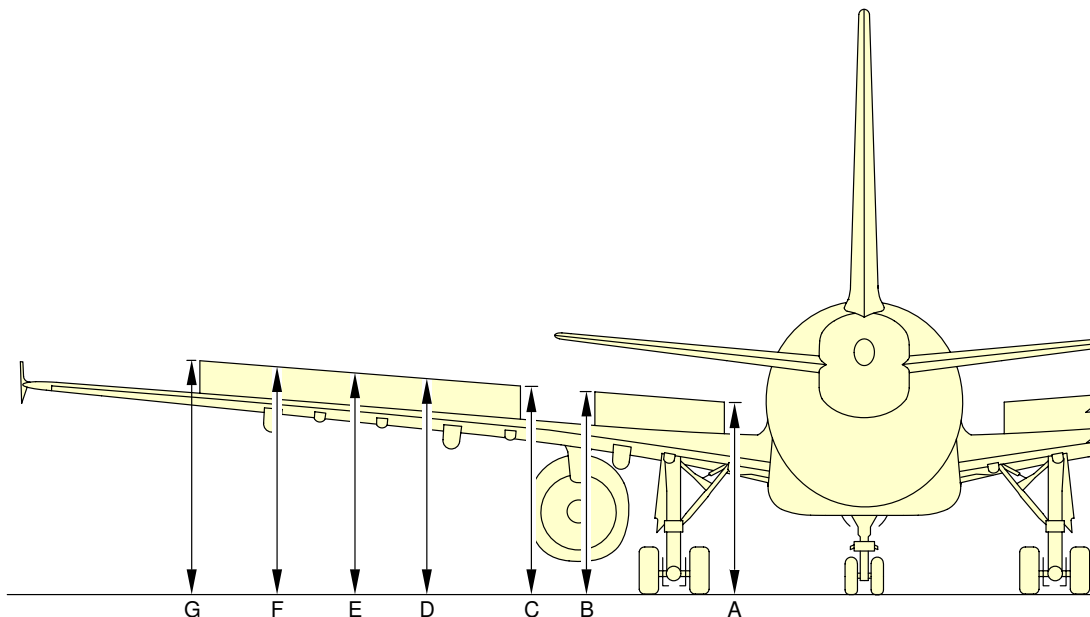


AILERON UP							
DESCRIPTION		A/C IN MAINTENANCE CONFIGURATION MID CG		MAXIMUM RAMP WEIGHT FWD CG		MAXIMUM RAMP WEIGHT AFT CG	
		m	ft	m	ft	m	ft
AILERON INBD	A	4.33	14.21	4.22	13.85	4.19	13.75
AILERON OUTBD	B	4.53	14.86	4.42	14.50	4.37	14.34

N_AC_020300_1_0470101_01_00

Ground Clearances
Aileron Up
FIGURE-2-3-0-991-047-A01

****ON A/C A321-100 A321-200 A321neo**

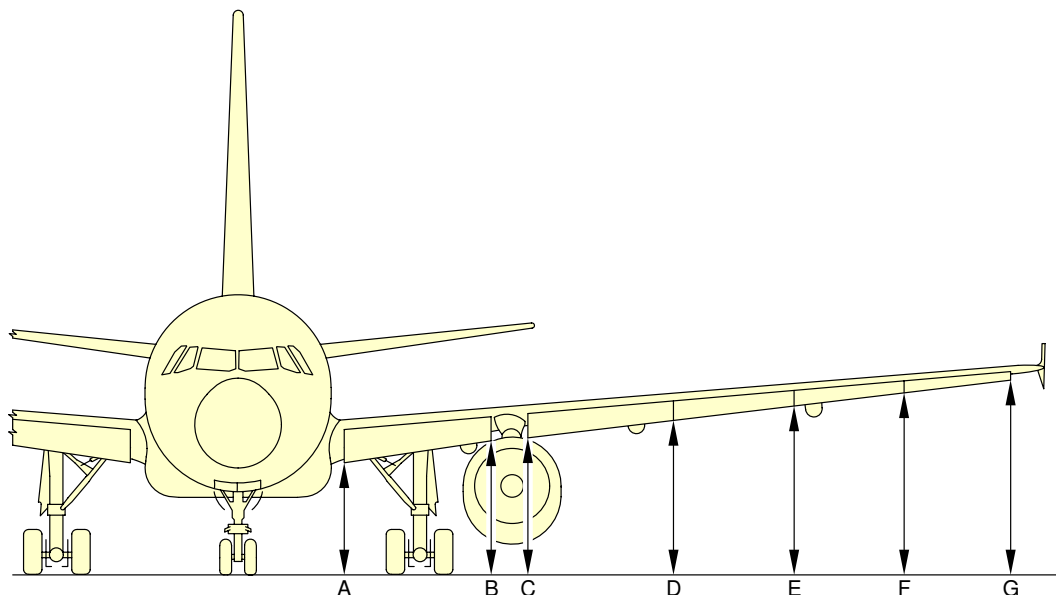


SPOILERS EXTENDED							
DESCRIPTION		A/C IN MAINTENANCE CONFIGURATION MID CG		MAXIMUM RAMP WEIGHT FWD CG		MAXIMUM RAMP WEIGHT AFT CG	
		m	ft	m	ft	m	ft
SPOILER 1 INBD	A	3.74	12.27	3.63	11.91	3.61	11.84
SPOILER 1 OUTBD	B	4.04	13.25	3.94	12.93	3.92	12.86
SPOILER 2 INBD	C	4.08	13.39	3.97	13.02	3.95	12.96
SPOILER 2/3	D	4.20	13.78	4.10	13.45	4.07	13.35
SPOILER 3/4	E	4.34	14.24	4.23	13.88	4.20	13.78
SPOILER 4/5	F	4.46	14.63	4.35	14.27	4.32	14.17
SPOILER 5 OUTBD	G	4.59	15.06	4.48	14.70	4.45	14.60

N_AC_020300_1_0250101_01_01

Ground Clearances
Spoilers - Extended
FIGURE-2-3-0-991-025-A01

**ON A/C A321-100 A321-200 A321neo



LEADING EDGE SLATS EXTENDED							
DESCRIPTION		A/C IN MAINTENANCE CONFIGURATION		MAXIMUM RAMP WEIGHT FWD CG		MAXIMUM RAMP WEIGHT AFT CG	
		MID CG		m	ft	m	ft
SLAT 1 INBD	A	2.58	8.46	2.47	8.10	2.50	8.20
SLAT 1 OUTBD	B	2.98	9.78	2.88	9.45	2.89	9.48
SLAT 2 INBD	C	3.07	10.07	2.96	9.71	2.97	9.74
SLAT 2/3	D	3.36	11.02	3.25	10.66	3.25	10.66
SLAT 3/4	E	3.61	11.84	3.50	11.48	3.49	11.45
SLAT 4/5	F	3.85	12.63	3.74	12.27	3.72	12.20
SLAT 5 OUTBD	G	4.08	13.39	3.96	12.99	3.94	12.93

N_AC_020300_1_0260101_01_01

Ground Clearances
Leading Edge Slats - Extended
FIGURE-2-3-0-991-026-A01



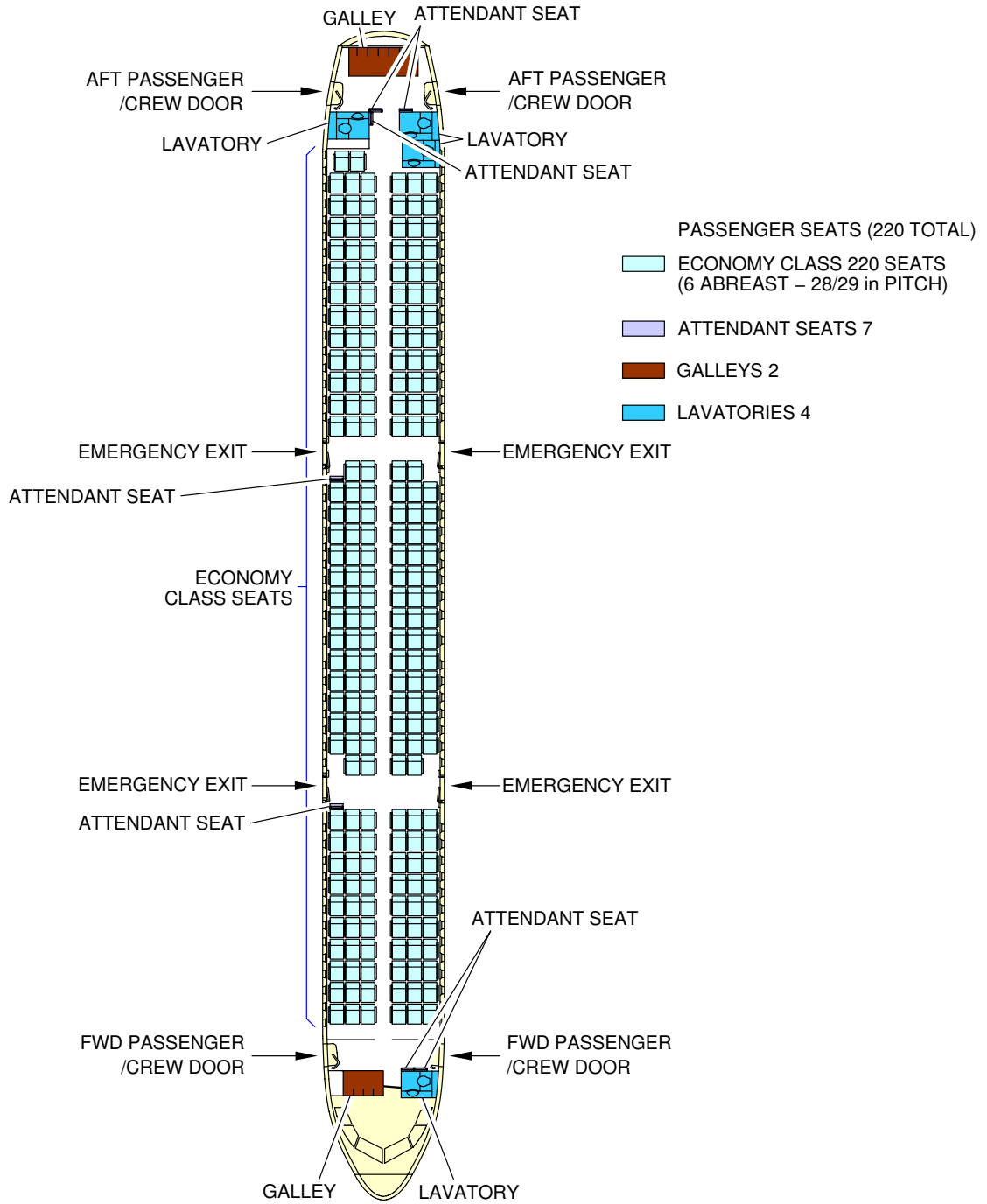
2-4-1 Interior Arrangements - Plan View

****ON A/C A321-100 A321-200 A321neo**

Interior Arrangements - Plan View

1. This section provides the typical interior configuration.

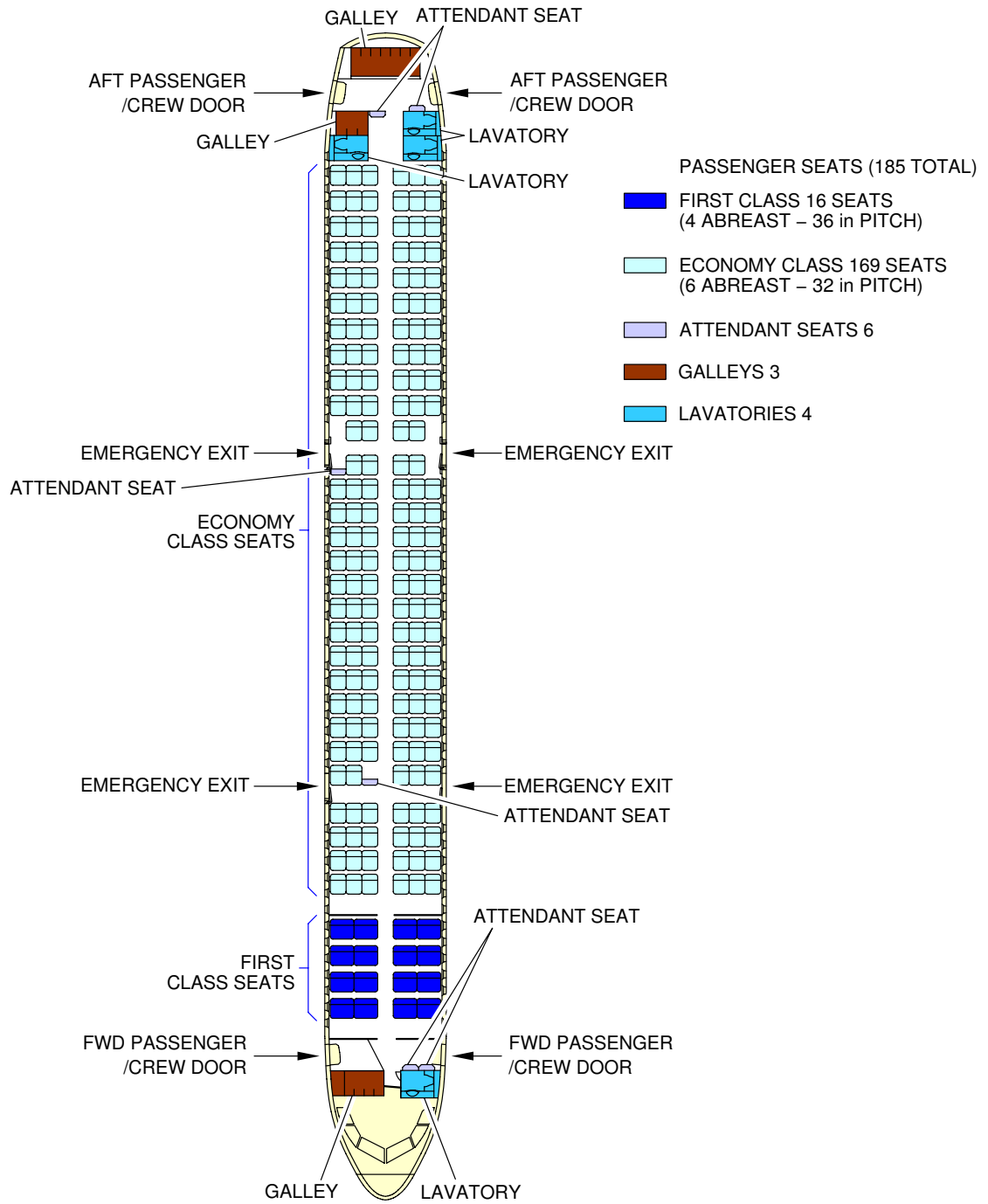
**ON A/C A321-100 A321-200 A321neo



N_AC_020401_1_0040101_01_02

Interior Arrangements - Plan View
 Typical Configuration - Single-Class, High Density
 FIGURE-2-4-1-991-004-A01

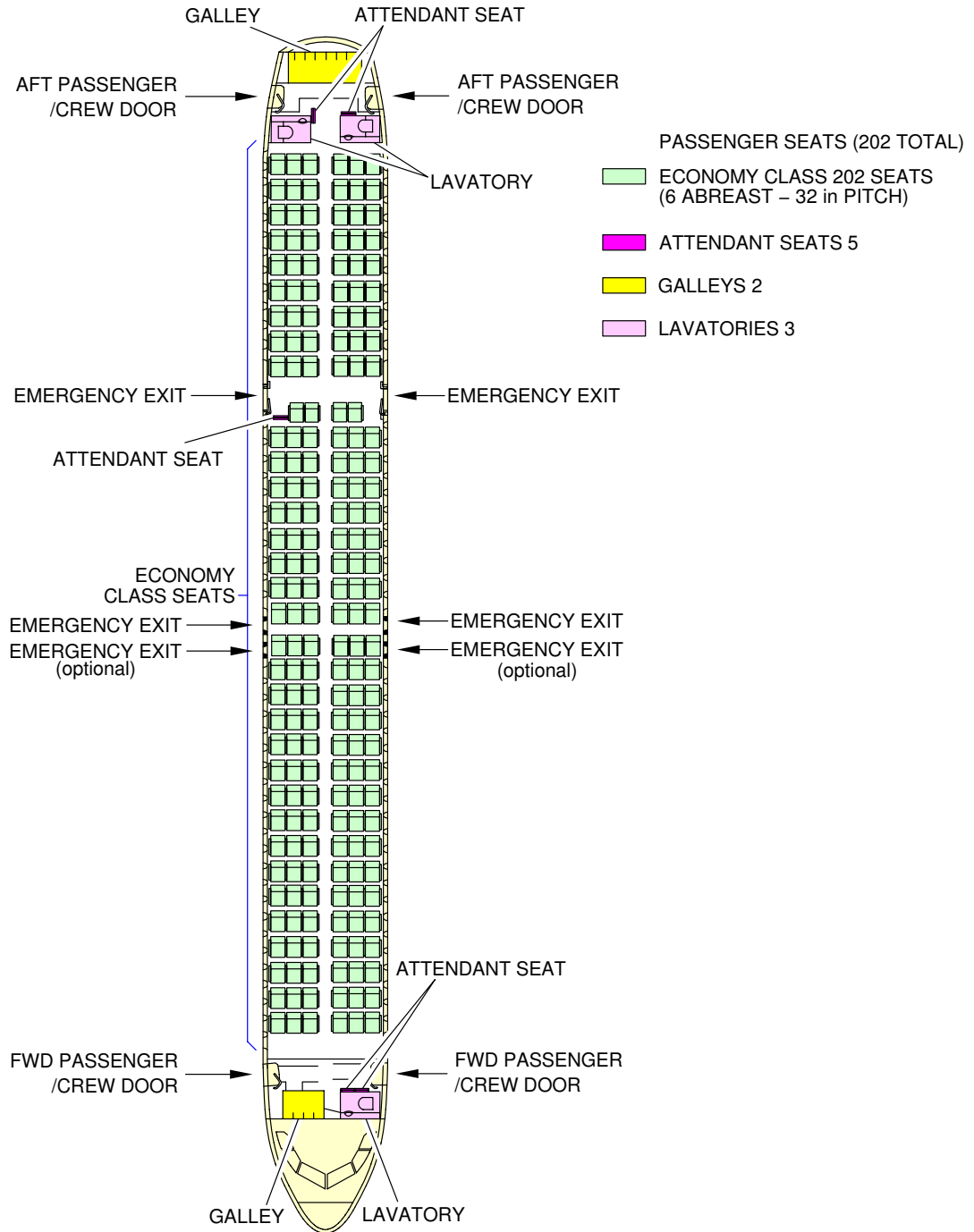
**ON A/C A321-100 A321-200 A321neo



N_AC_020401_1_0060101_01_06

Interior Arrangements - Plan View
 Typical Configuration - Two-Class
 FIGURE-2-4-1-991-006-A01

****ON A/C A321neo**



N_AC_020401_1_0110101_01_00

Interior Arrangements - Plan View for A321NEO-ACF
 Typical Configuration - Single-Class, Standard
 FIGURE-2-4-1-991-011-A01

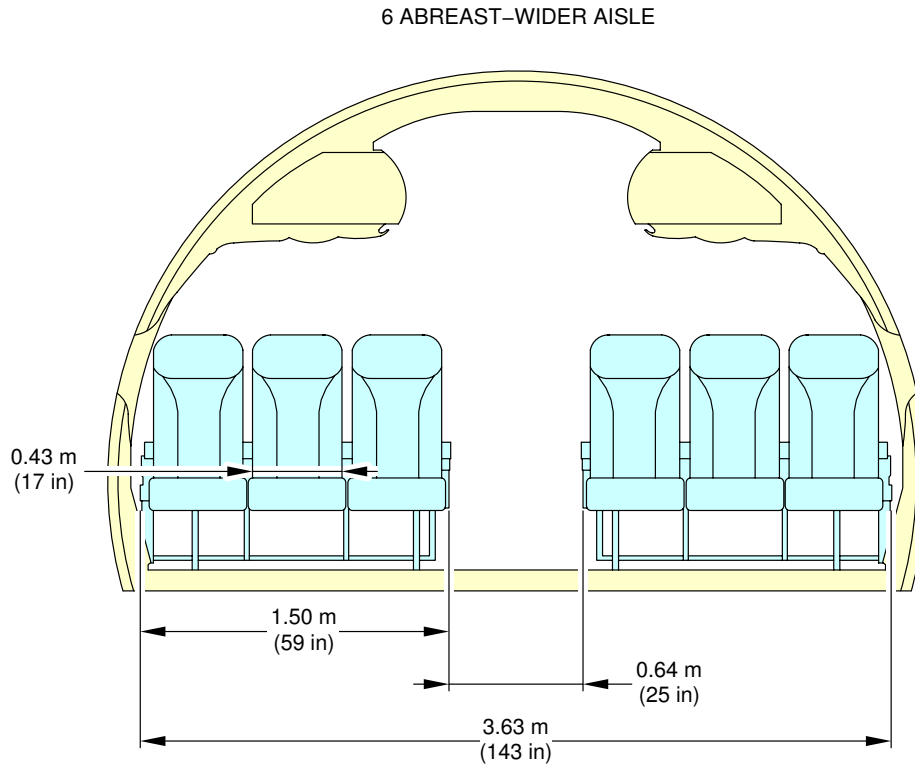
2-5-0 Interior Arrangements - Cross Section

****ON A/C A321-100 A321-200 A321neo**

Interior Arrangements - Cross Section

1. This section provides the typical configuration.

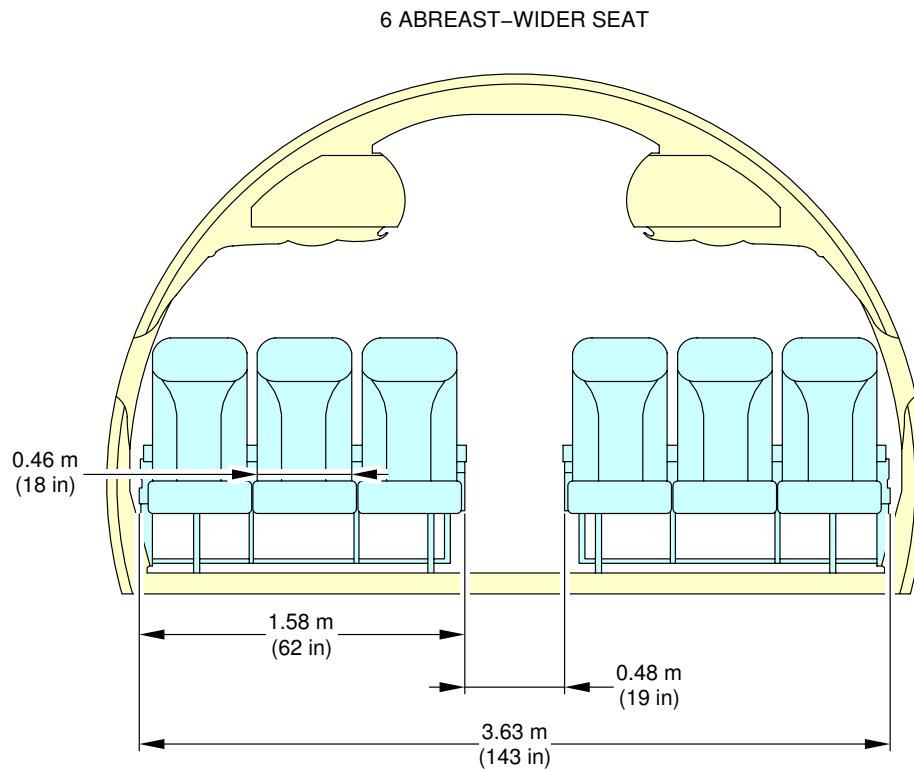
**ON A/C A321-100 A321-200 A321neo



N_AC_020500_1_0050101_01_01

Interior Arrangements - Cross Section
Economy Class, 6 Abreast - Wider Aisle (Sheet 1 of 2)
FIGURE-2-5-0-991-005-A01

**ON A/C A321-100 A321-200 A321neo

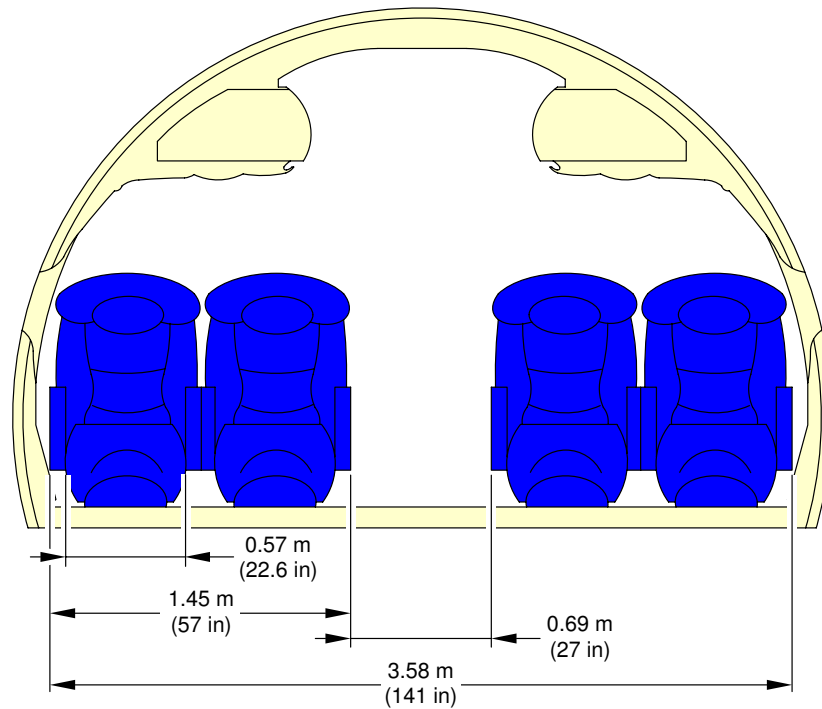


N_AC_020500_1_0050102_01_03

Interior Arrangements - Cross Section
Economy Class, 6 Abreast - Wider Seat (Sheet 2 of 2)
FIGURE-2-5-0-991-005-A01

**ON A/C A321-100 A321-200 A321neo

4 ABREAST—FIRST CLASS



N_AC_020500_1_0060101_01_01

Interior Arrangements - Cross Section
First-Class

FIGURE-2-5-0-991-006-A01



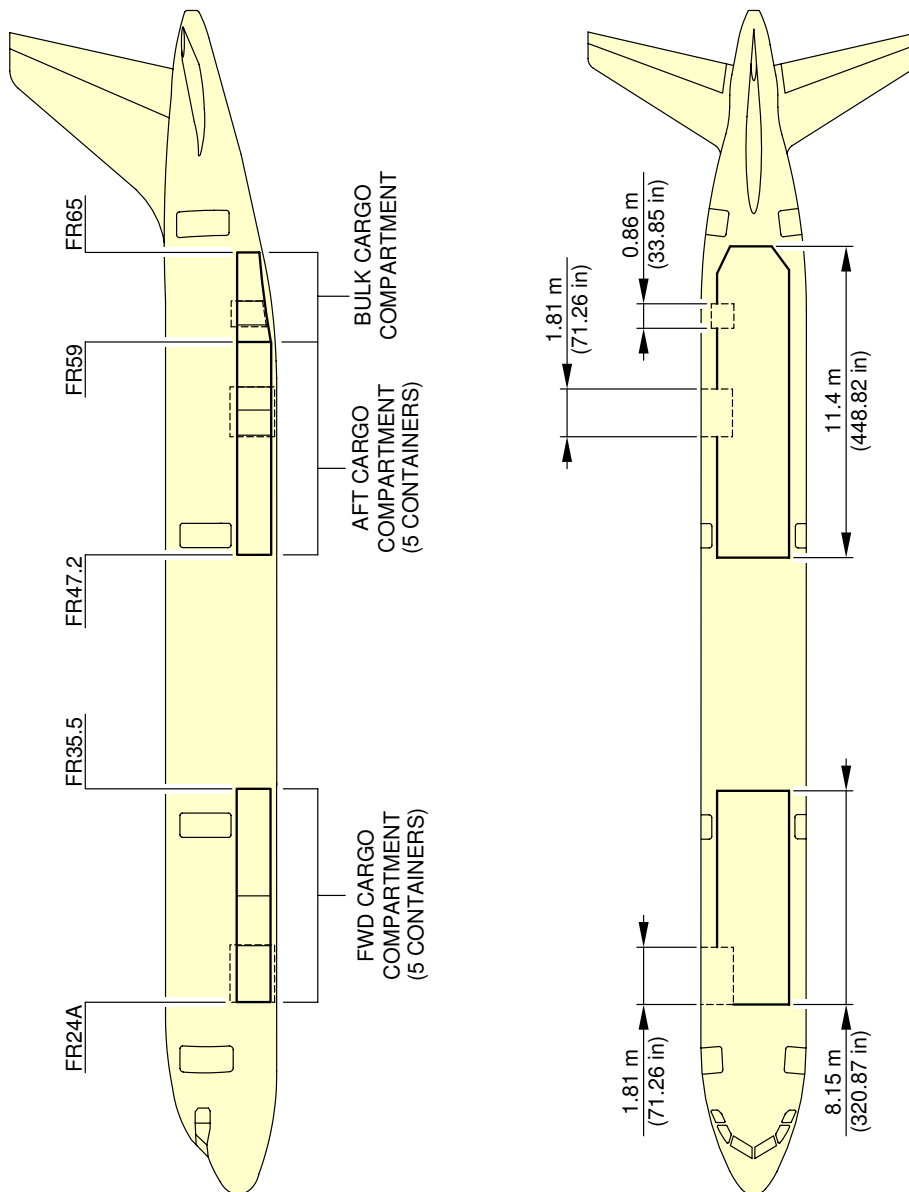
2-6-0 Cargo Compartments

**ON A/C A321-100 A321-200 A321neo

Cargo Compartments

1. This section provides the cargo compartments locations, dimensions and loading combinations.

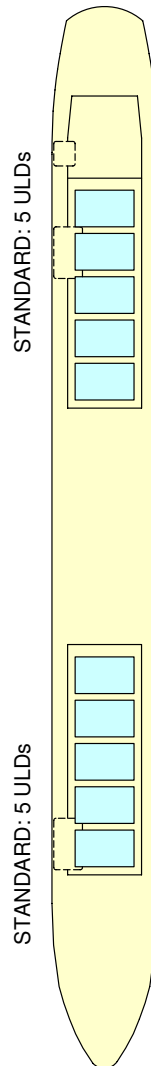
**ON A/C A321-100 A321-200 A321neo



N_AC_020600_1_0040101_01_00

Cargo Compartments
Locations and Dimensions
FIGURE-2-6-0-991-004-A01

****ON A/C A321-100 A321-200 A321neo**



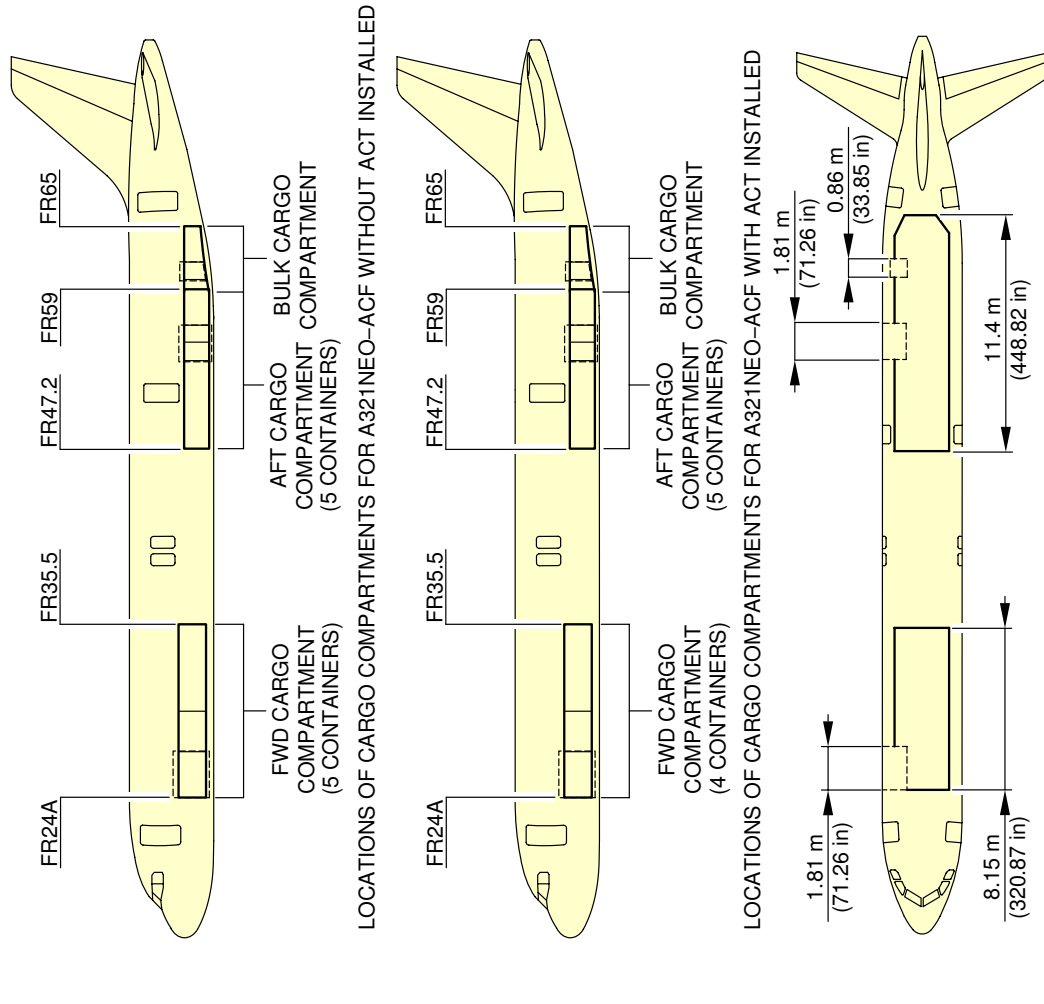
NOTE:

VALID FOR A321-100, A321-200 , A321 NEO AND A321 NEO-ACF WITHOUT ACT INSTALLED

N_AC_020600_1_0070101_01_01

Cargo Compartments
Loading Combinations
FIGURE-2-6-0-991-007-A01

**ON A/C A321-100 A321-200 A321neo

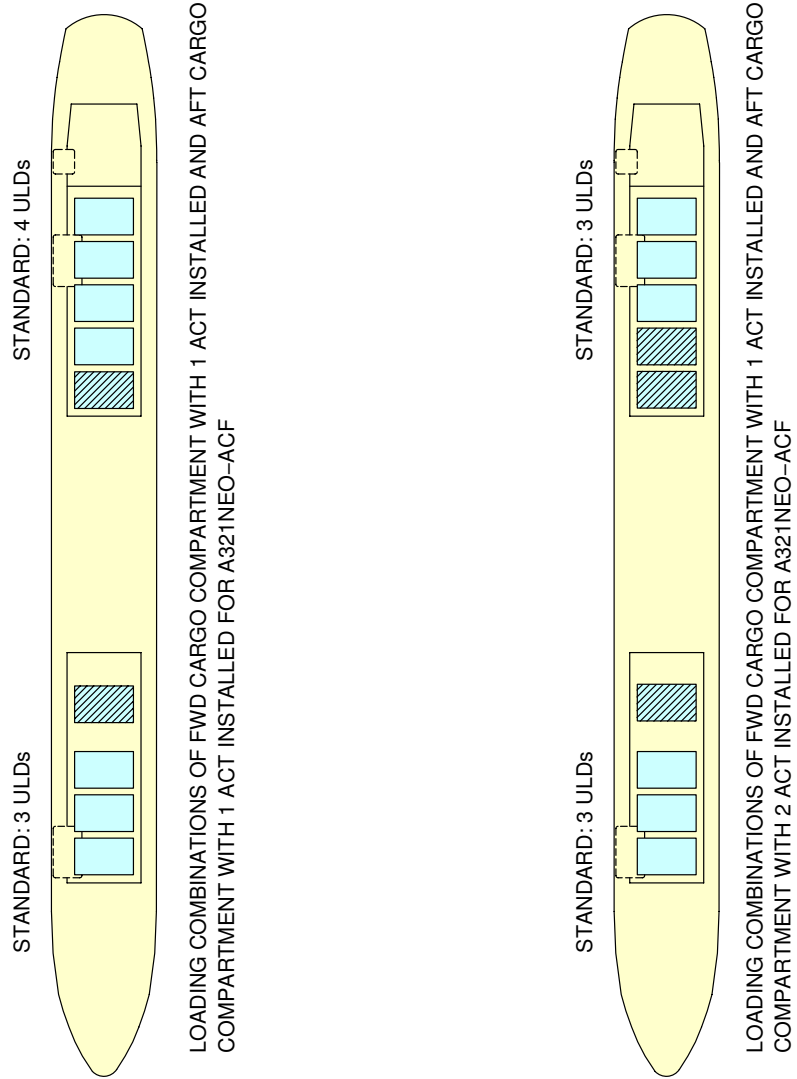


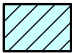
DIMENSIONS OF CARGO COMPARTMENTS FOR A321NEO-ACF (WITH AND WITHOUT ACT INSTALLED)

Cargo Compartments for A321NEO-ACF
Locations and Dimensions for A321NEO-ACF
FIGURE-2-6-0-991-012-A01

N_AC_020600_1_0120101_01_00

**ON A/C A321-100 A321-200 A321neo



NOTE:
 ACT

N_AC_020600_1_0130101_01_00

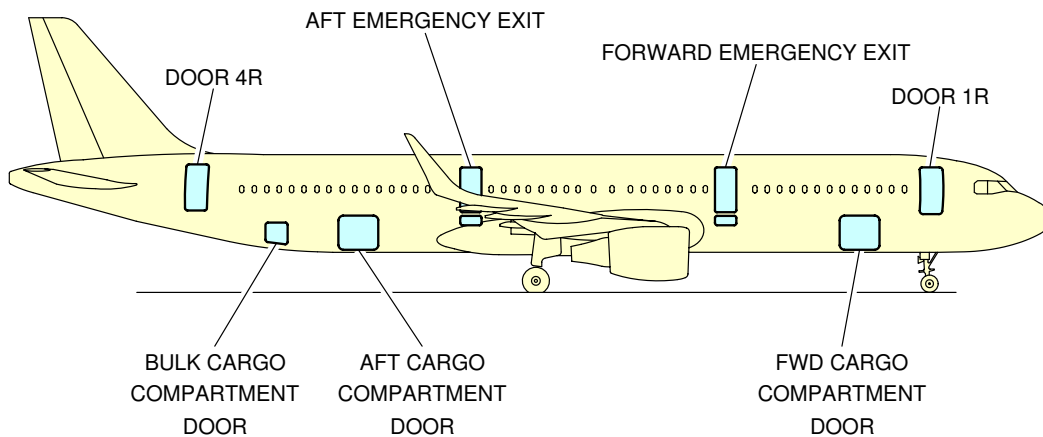
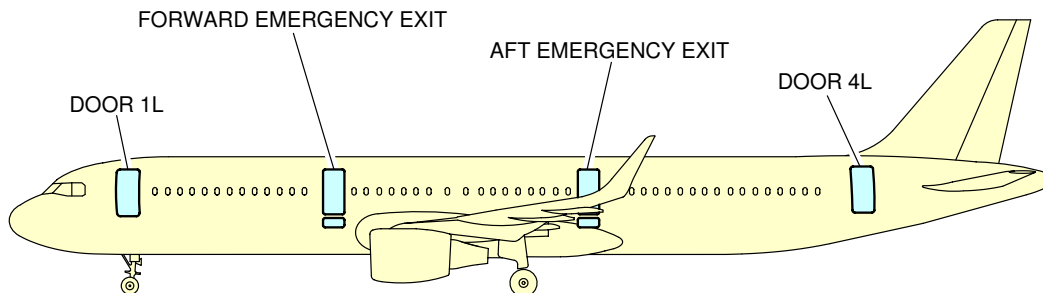
Cargo Compartments for A321NEO-ACF
 Loading Combinations for A321NEO-ACF
 FIGURE-2-6-0-991-013-A01

2-7-0 Door Clearances and Location****ON A/C A321-100 A321-200 A321neo**Door Clearances

1. This section provides door identification and location.

NOTE : Dimensions of the ground clearances are approximate and will vary with tire type, weight and balance and other special conditions.

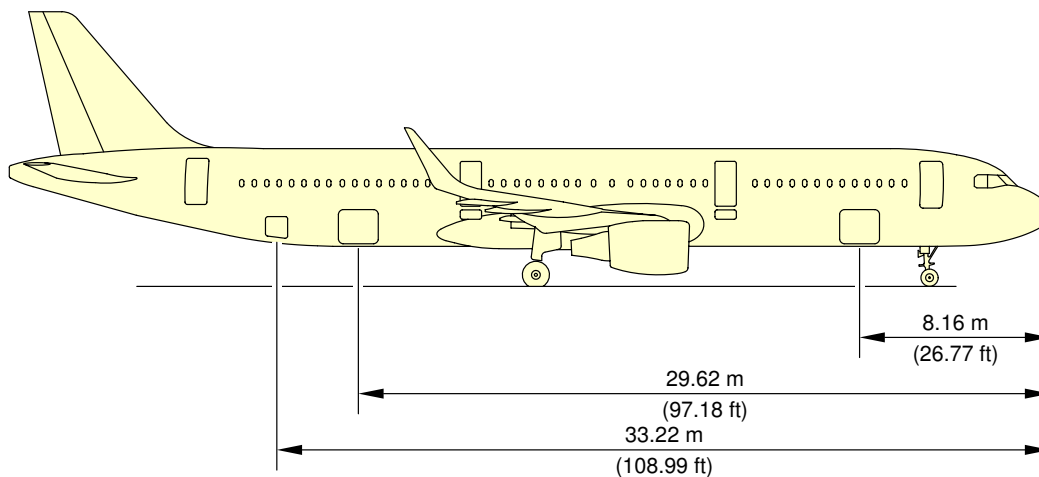
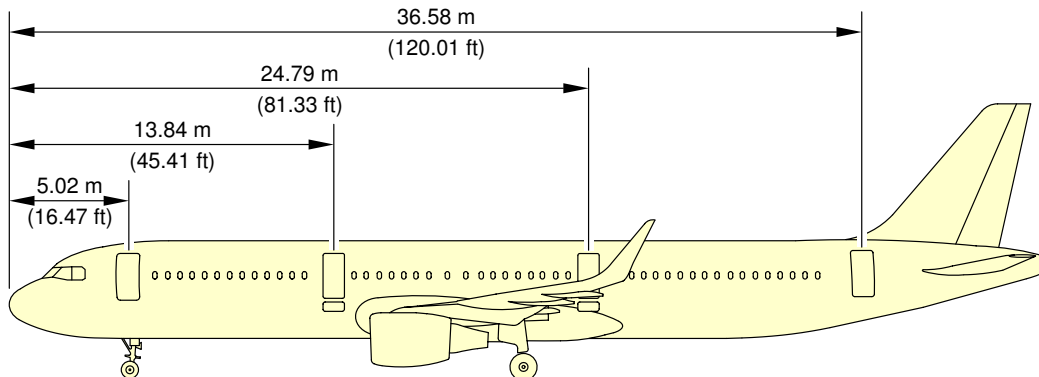
**ON A/C A321-100 A321-200 A321neo



N_AC_020700_1_0040101_01_01

Door Identification and Location
Door Identification (Sheet 1 of 2)
FIGURE-2-7-0-991-004-A01

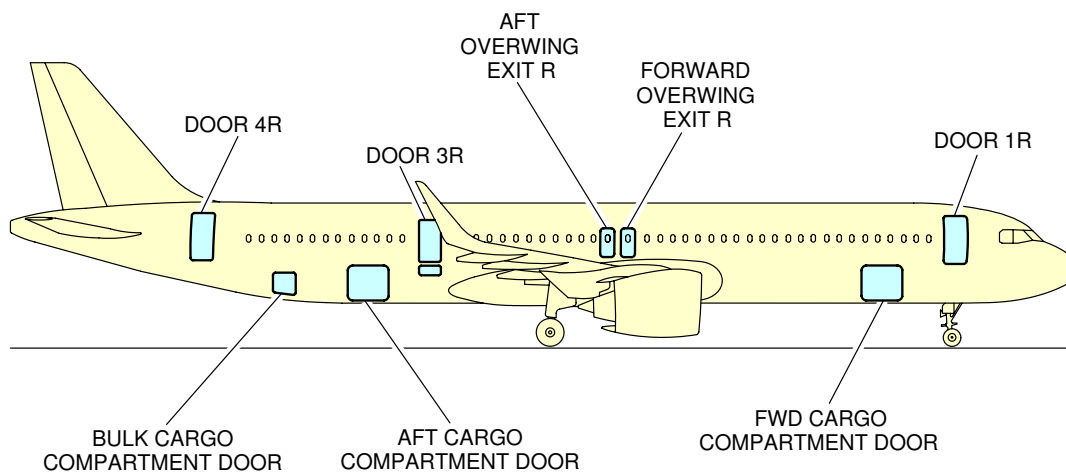
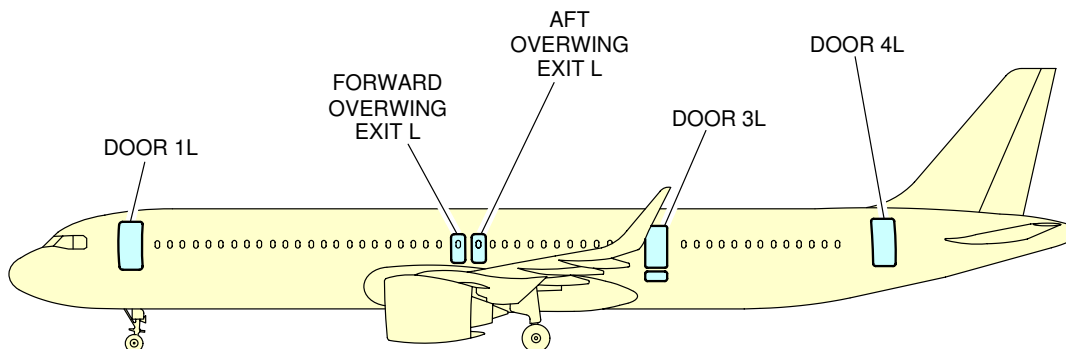
**ON A/C A321-100 A321-200 A321neo



N_AC_020700_1_0040102_01_01

Door Identification and Location
Door Location (Sheet 2 of 2)
FIGURE-2-7-0-991-004-A01

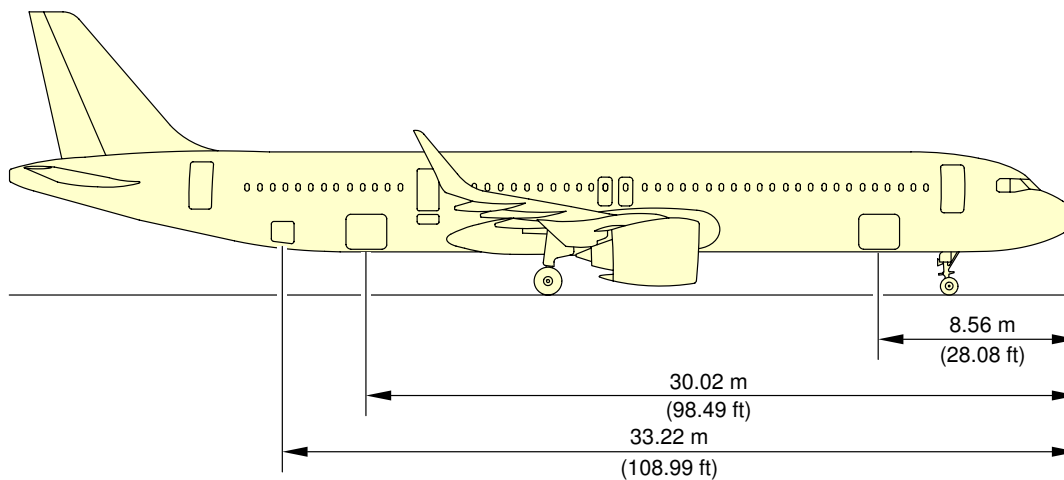
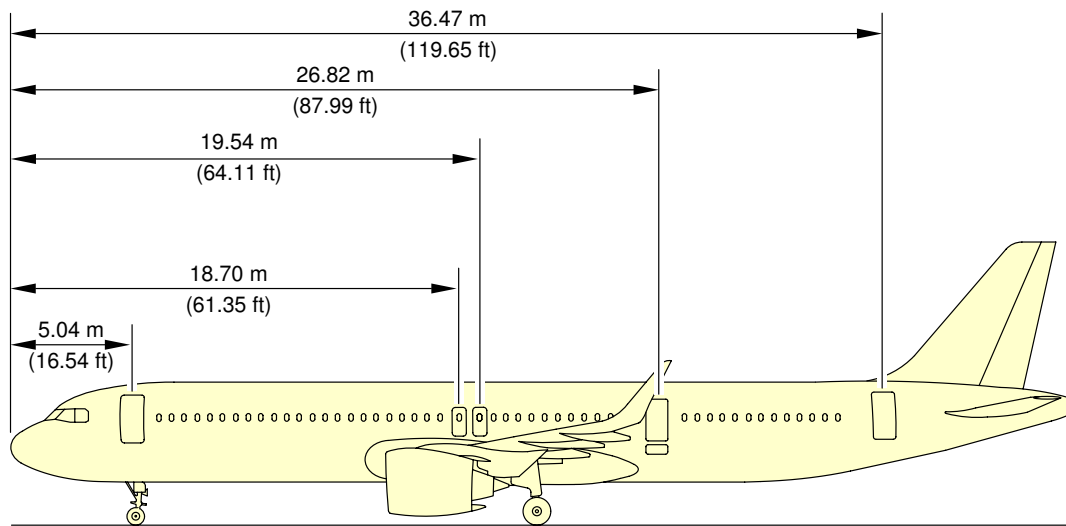
**ON A/C A321neo



N_AC_020700_1_0470101_01_00

Door Identification and Location for A321NEO-ACF
Door Identification for A321NEO-ACF (Sheet 1 of 2)
FIGURE-2-7-0-991-047-A01

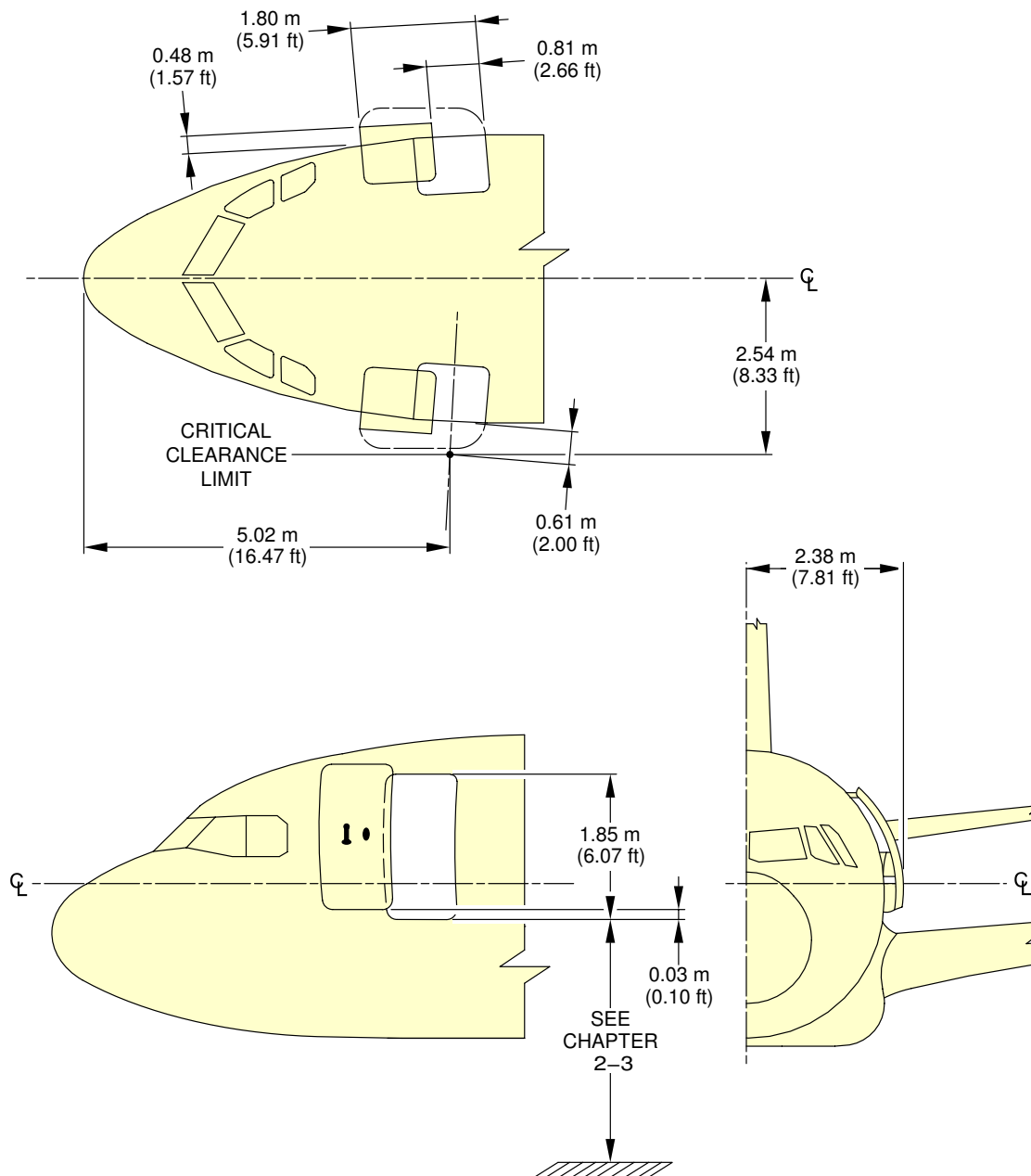
**ON A/C A321neo



N_AC_020700_1_0470102_01_01

Door Identification and Location for A321NEO-ACF
 Door Location for A321NEO-ACF (Sheet 2 of 2)
 FIGURE-2-7-0-991-047-A01

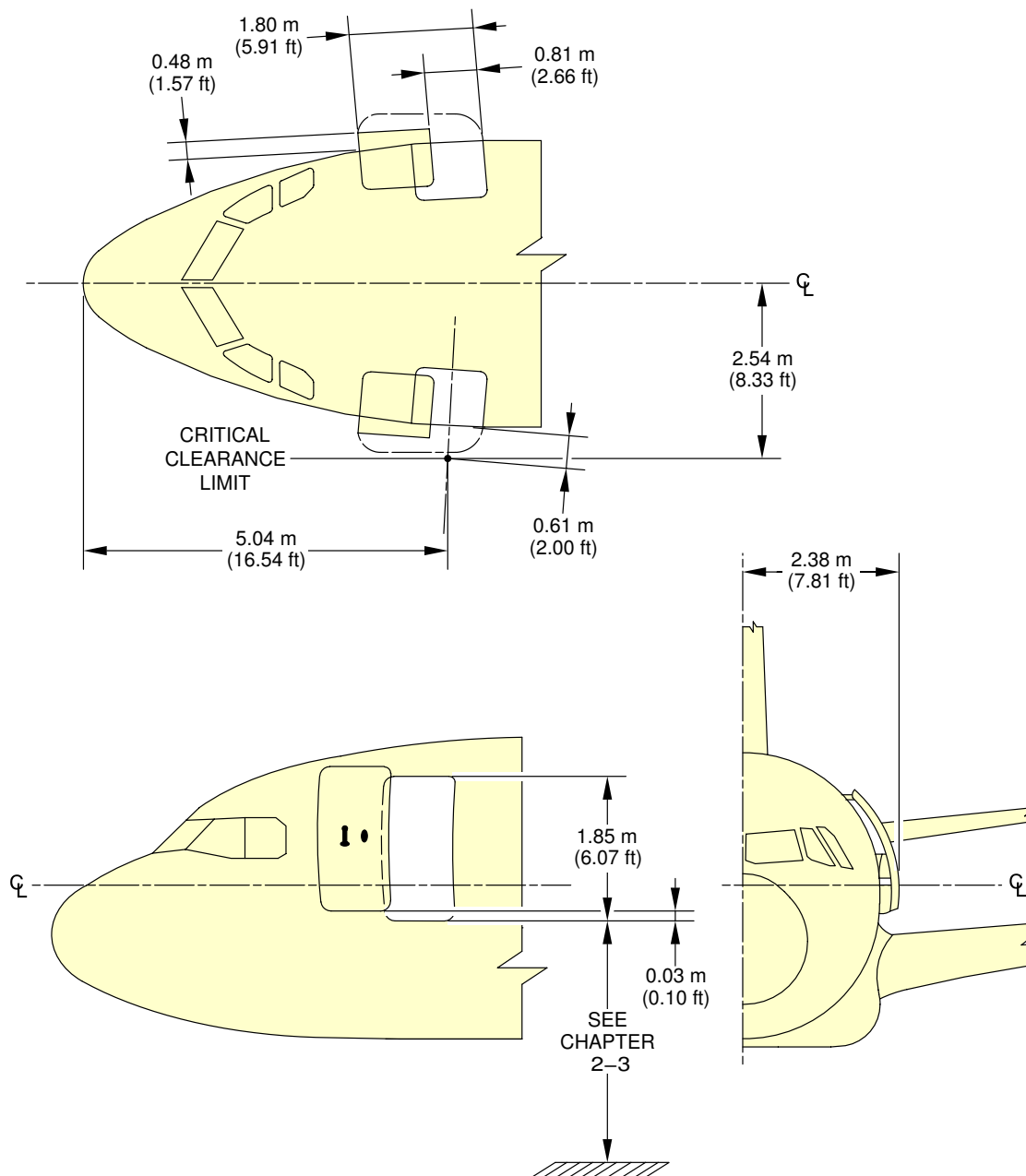
**ON A/C A321-100 A321-200 A321neo



N_AC_020700_1_0330101_01_00

Doors Clearances
Forward Passenger/Crew Doors
FIGURE-2-7-0-991-033-A01

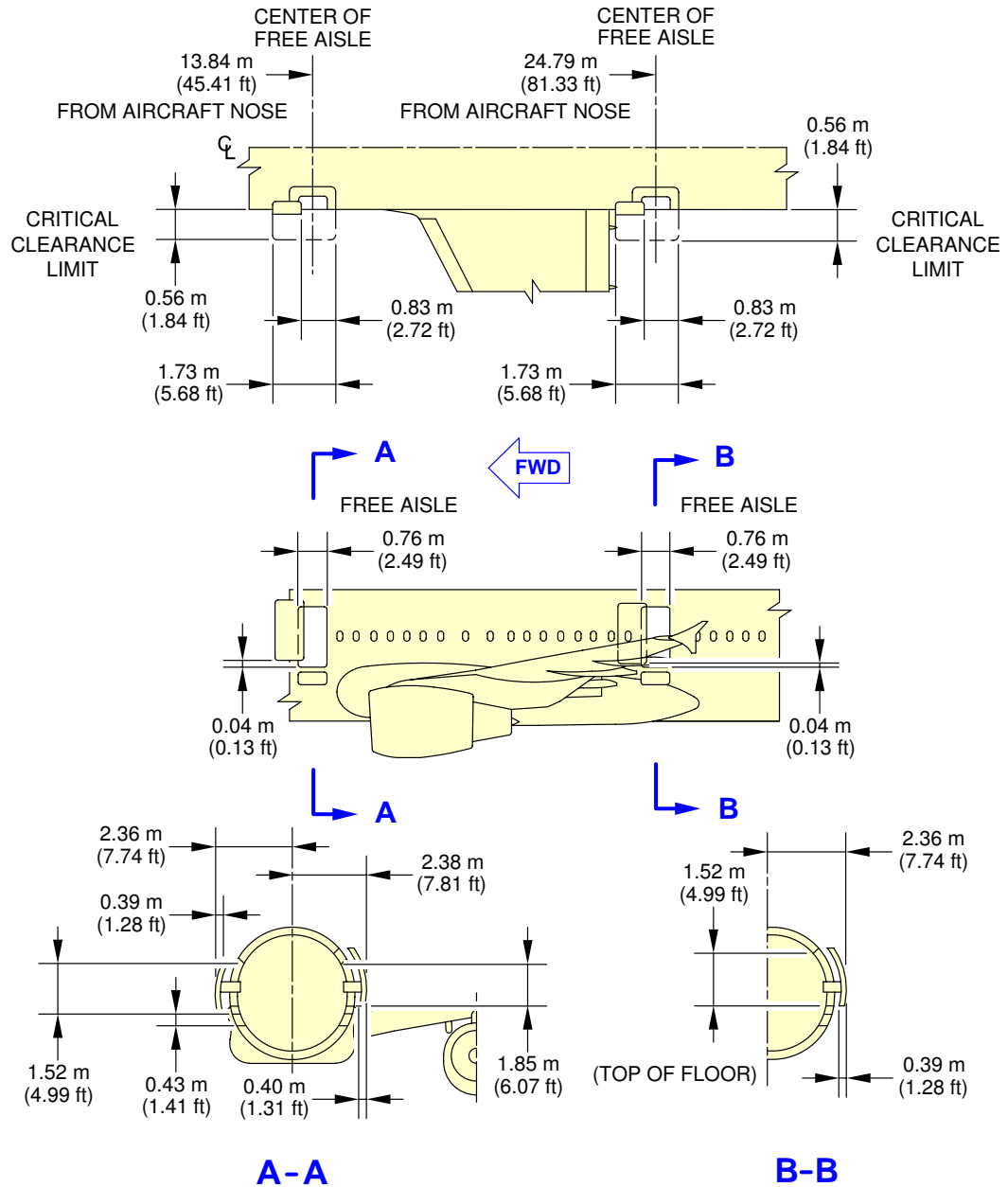
****ON A/C A321neo**



N_AC_020700_1_0480101_01_00

Doors Clearances for A321NEO-ACF
 Forward Passenger/Crew Doors for A321NEO-ACF
 FIGURE-2-7-0-991-048-A01

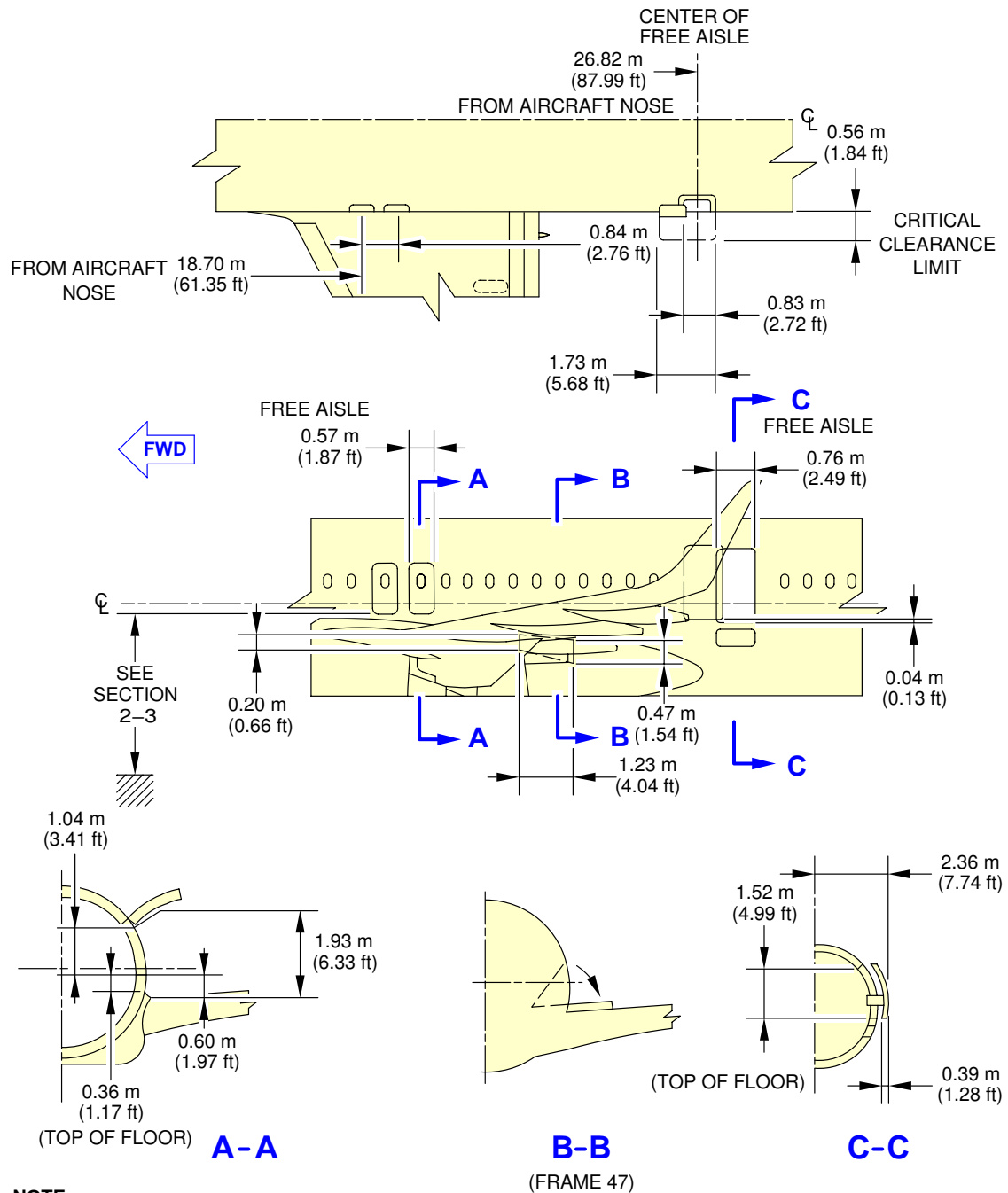
****ON A/C A321-100 A321-200 A321neo**



N_AC_020700_1_0340101_01_01

Doors Clearances
Emergency Exits
FIGURE-2-7-0-991-034-A01

****ON A/C A321neo**

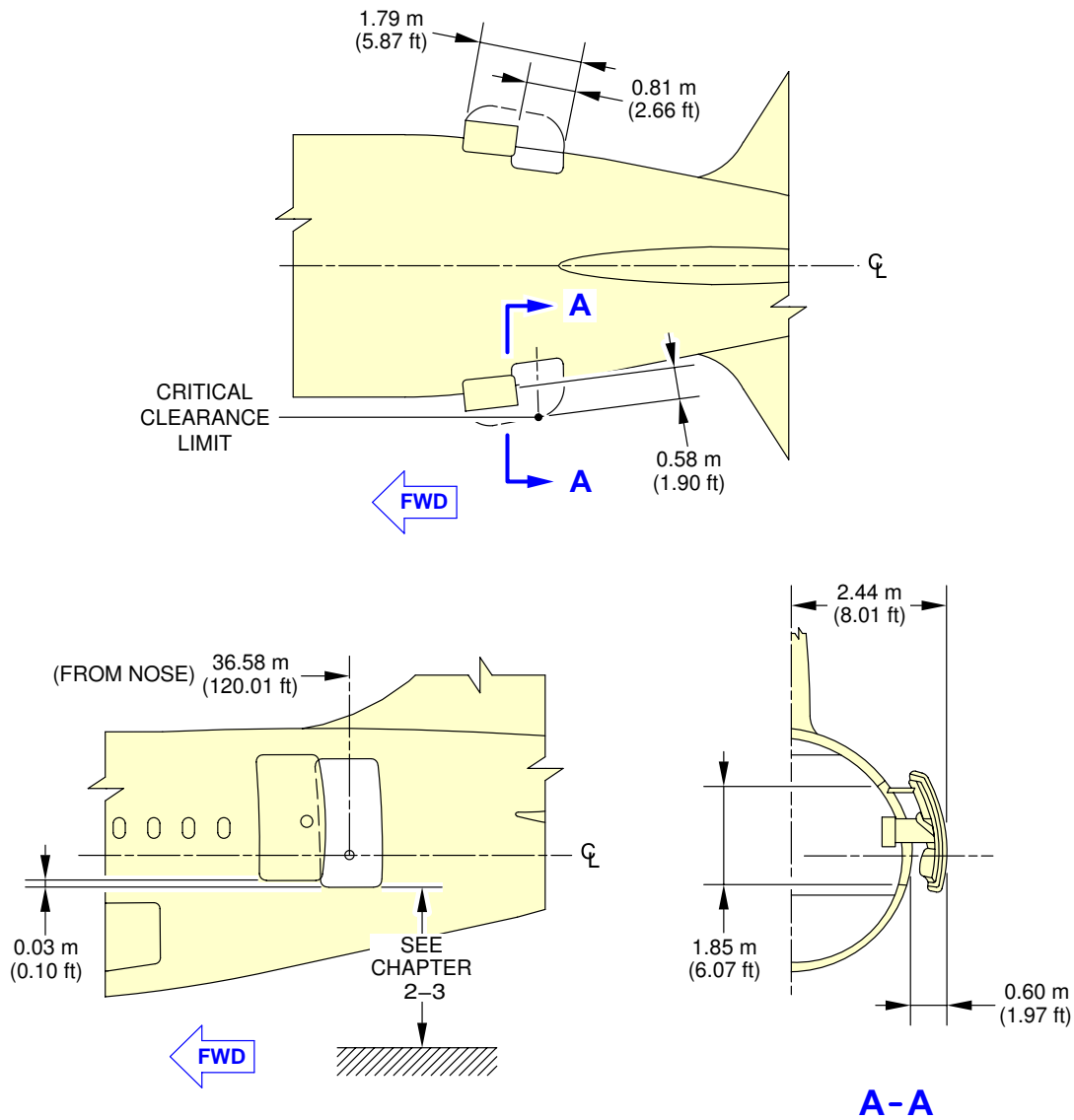


NOTE:
ESCAPE SLIDE COMPARTMENT DOOR OPENS ON WING UPPER SURFACE.

N_AC_020700_1_0460101_01_01

Doors Clearances for A321NEO-ACF
Emergency Exits for A321NEO-ACF
FIGURE-2-7-0-991-046-A01

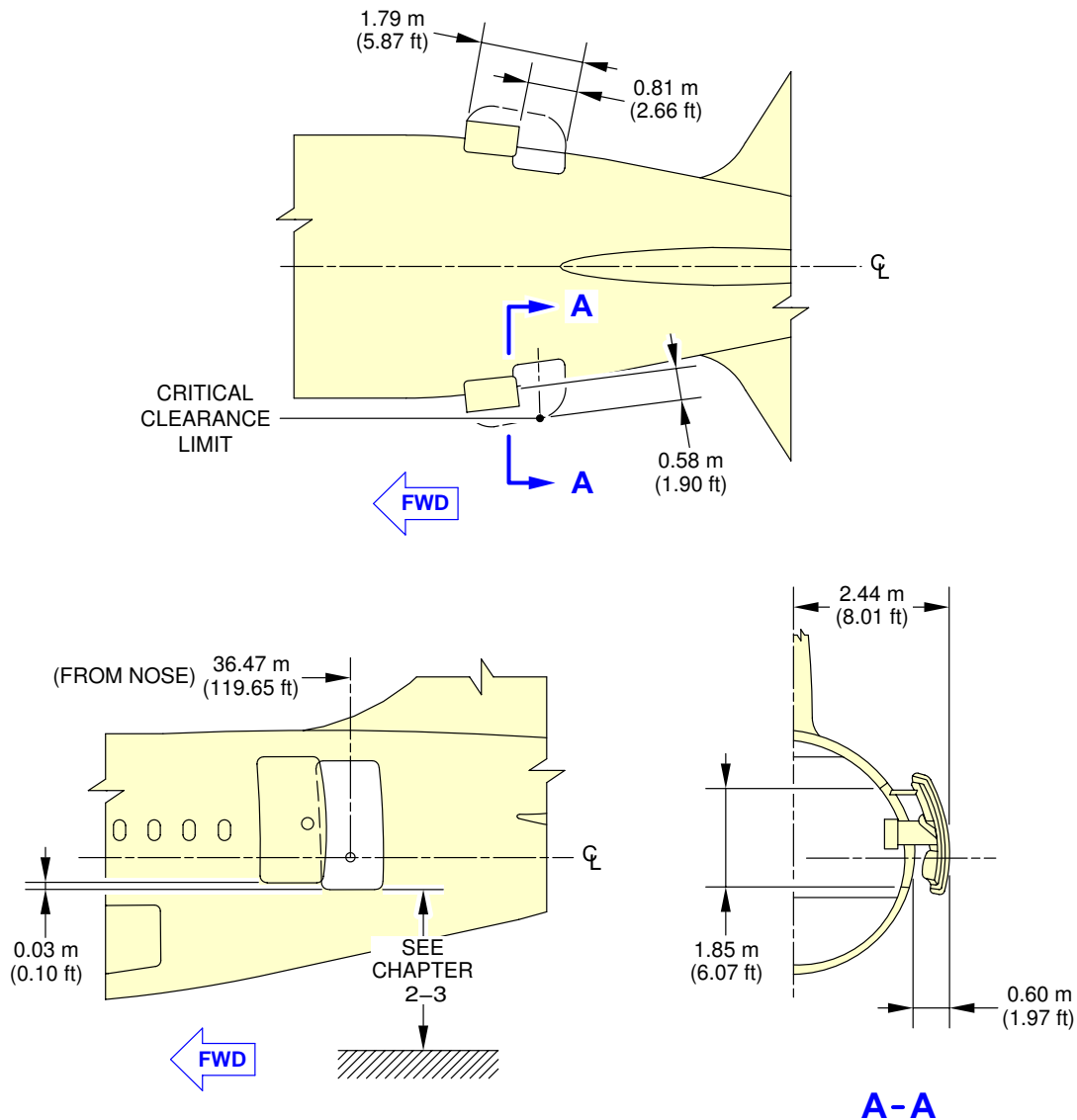
**ON A/C A321-100 A321-200 A321neo



N_AC_020700_1_0350101_01_01

Doors Clearances
Aft Passenger/Crew Doors
FIGURE-2-7-0-991-035-A01

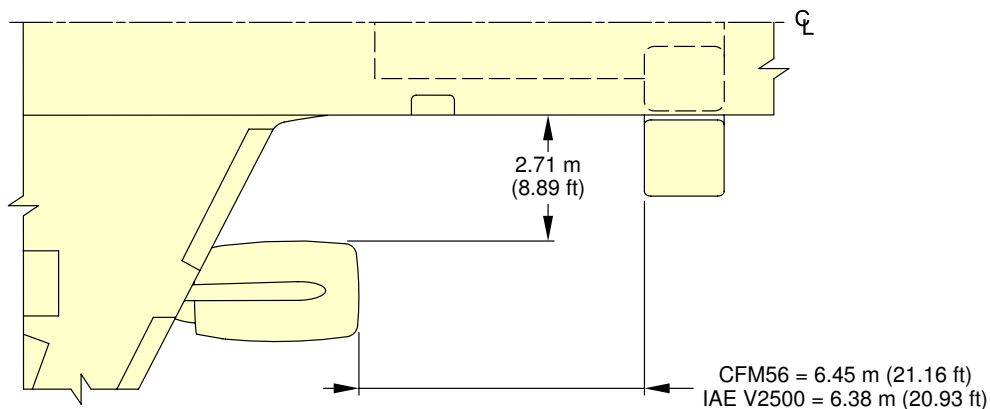
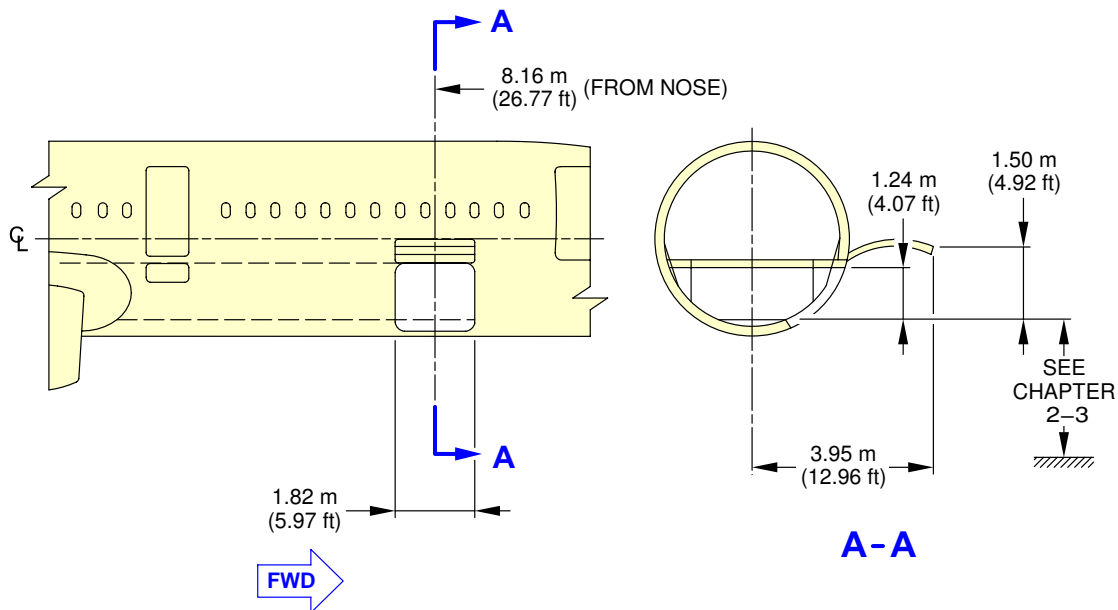
**ON A/C A321neo



N_AC_020700_1_0490101_01_00

Doors Clearances for A321NEO-ACF
 Aft Passenger/Crew Doors for A321NEO-ACF
 FIGURE-2-7-0-991-049-A01

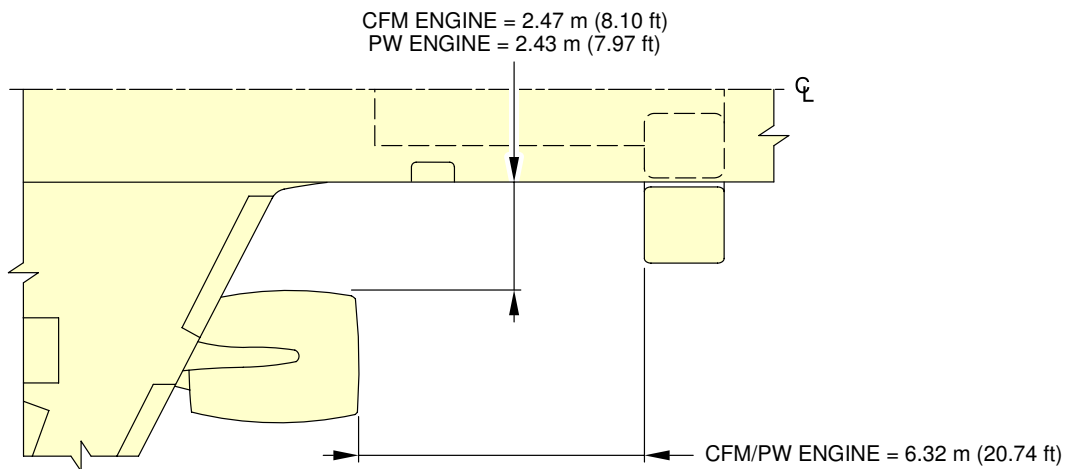
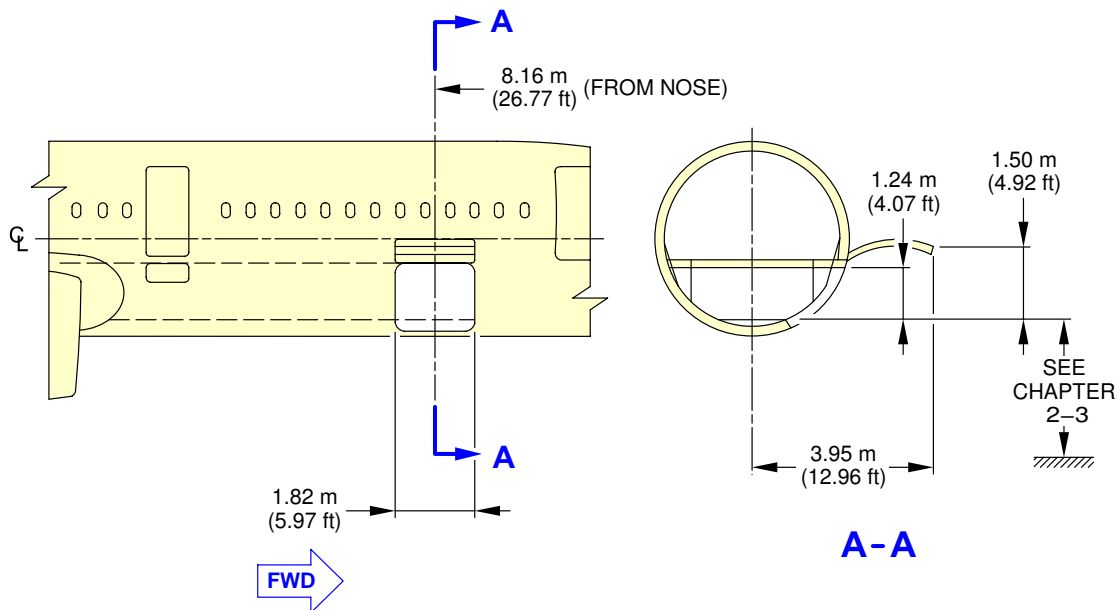
****ON A/C A321-100 A321-200**



N_AC_020700_1_0360101_01_00

Door Clearances
 Forward Cargo Compartment Door
 FIGURE-2-7-0-991-036-A01

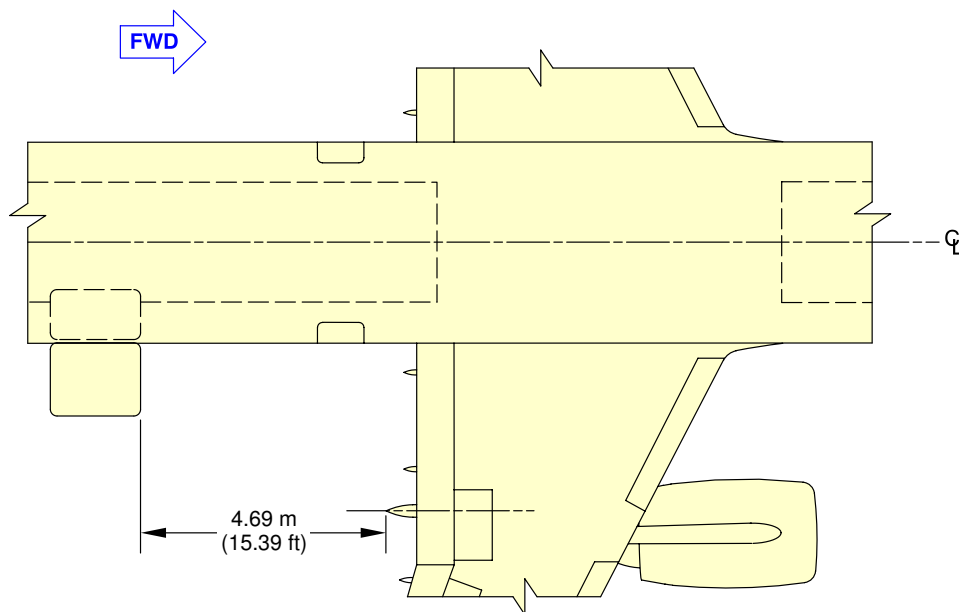
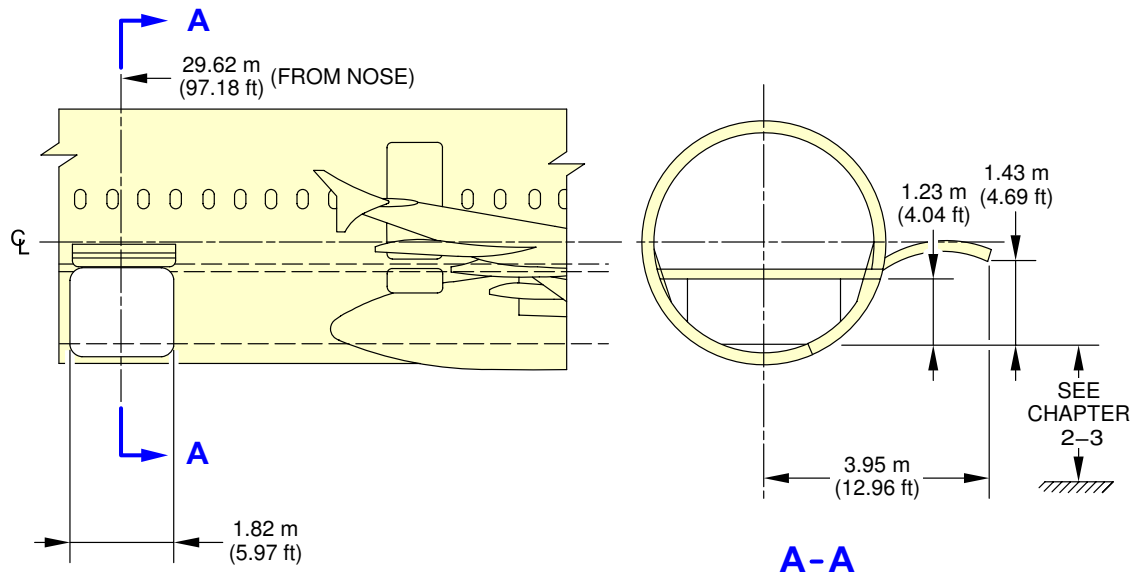
**ON A/C A321neo



N_AC_020700_1_0370101_01_00

Door Clearances
Forward Cargo Compartment Door
FIGURE-2-7-0-991-037-A01

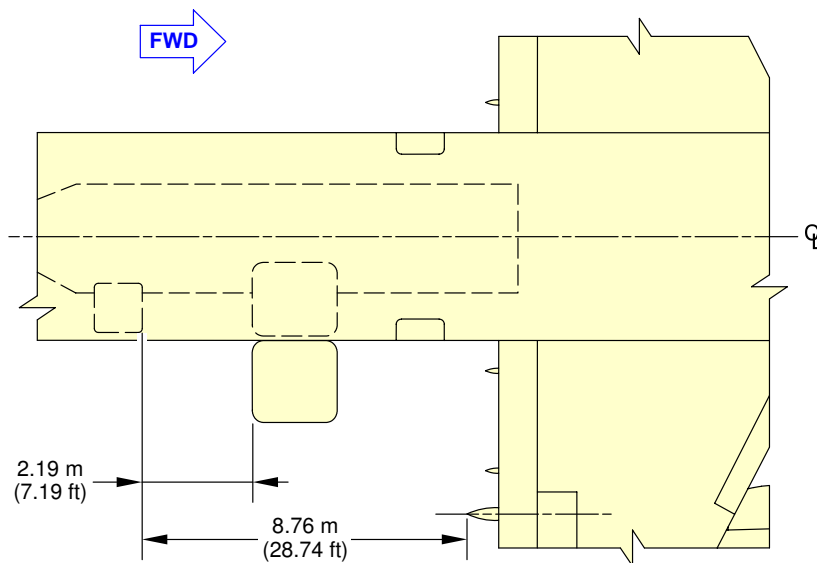
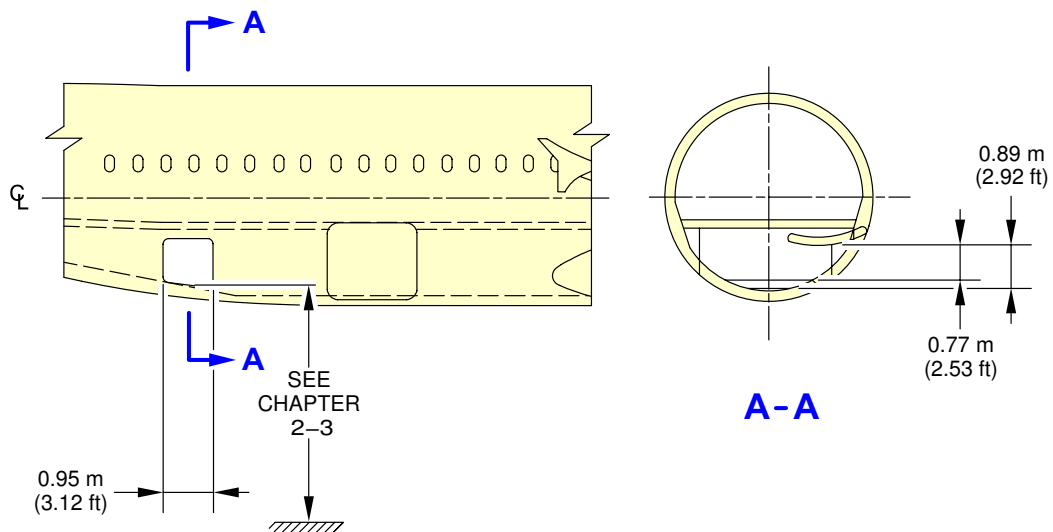
**ON A/C A321-100 A321-200 A321neo



N_AC_020700_1_0380101_01_01

Doors Clearances
Aft Cargo Compartment Door
FIGURE-2-7-0-991-038-A01

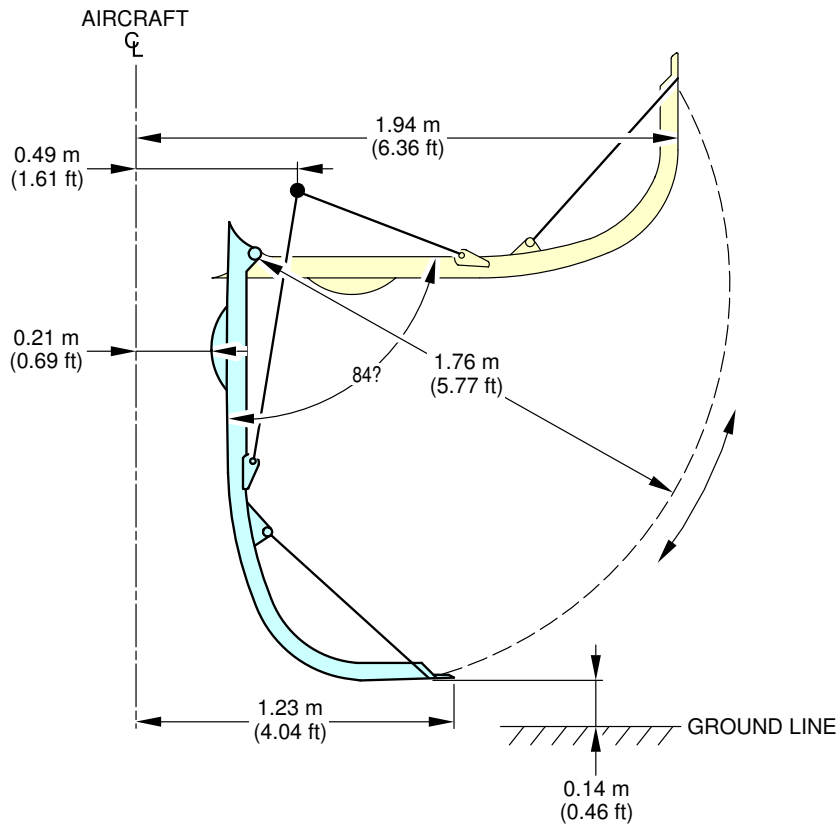
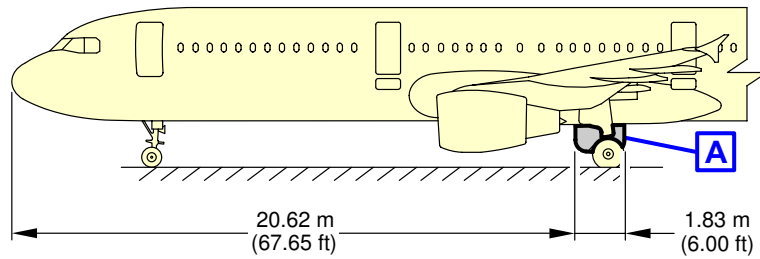
**ON A/C A321-100 A321-200 A321neo



N_AC_020700_1_0390101_01_01

Doors Clearances
Bulk Cargo Compartment Door
FIGURE-2-7-0-991-039-A01

**ON A/C A321-100 A321-200 A321neo



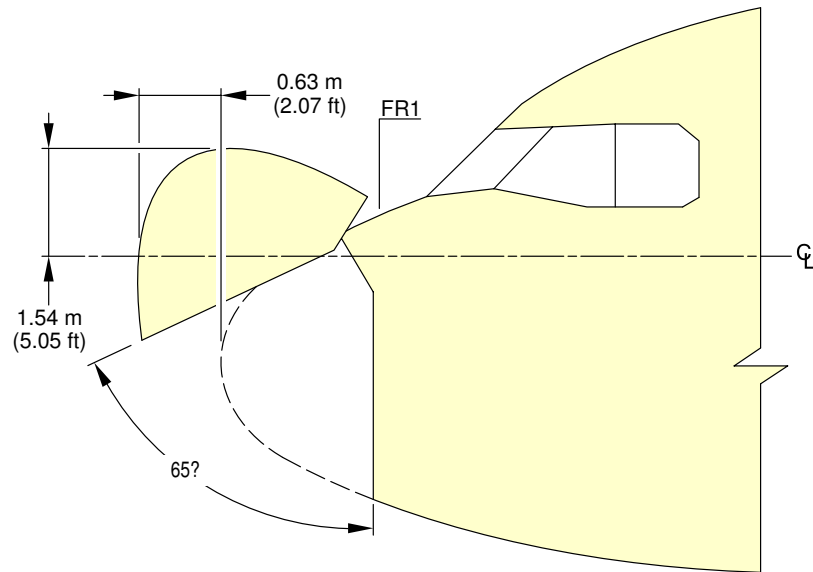
NOTE:
VALUE OF CG: 25% RC.

A

N_AC_020700_1_0400101_01_00

Doors Clearances
Main Landing Gear Doors
FIGURE-2-7-0-991-040-A01

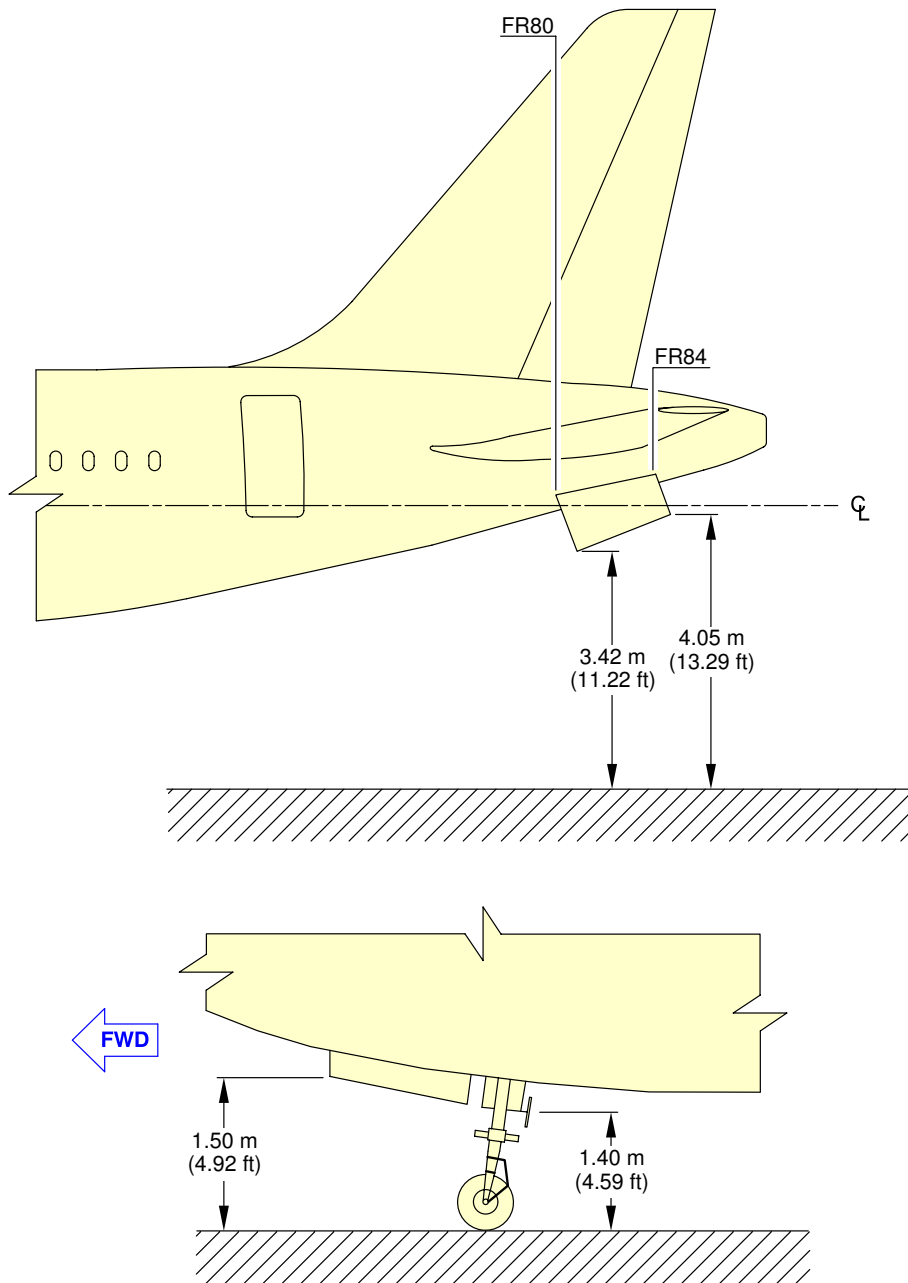
**ON A/C A321-100 A321-200 A321neo



N_AC_020700_1_0410101_01_00

Doors Clearances
Radome
FIGURE-2-7-0-991-041-A01

**ON A/C A321-100 A321-200 A321neo



NOTE:
VALUE OF CG: 25% RC.

N_AC_020700_1_0420101_01_00

Doors Clearances
APU and Nose Landing Gear Doors
FIGURE-2-7-0-991-042-A01

2-8-0 Escape Slides****ON A/C A321-100 A321-200 A321neo**Escape Slides

1. General

This section provides location of slides/rafts facilities and related clearances.

2. Location

Slides/rafts facilities are provided at the following location:

- One single or dual lane slide at each door 1 and 4 (total 04)
- One single lane slide at each door 2 and 3 (total 04) .

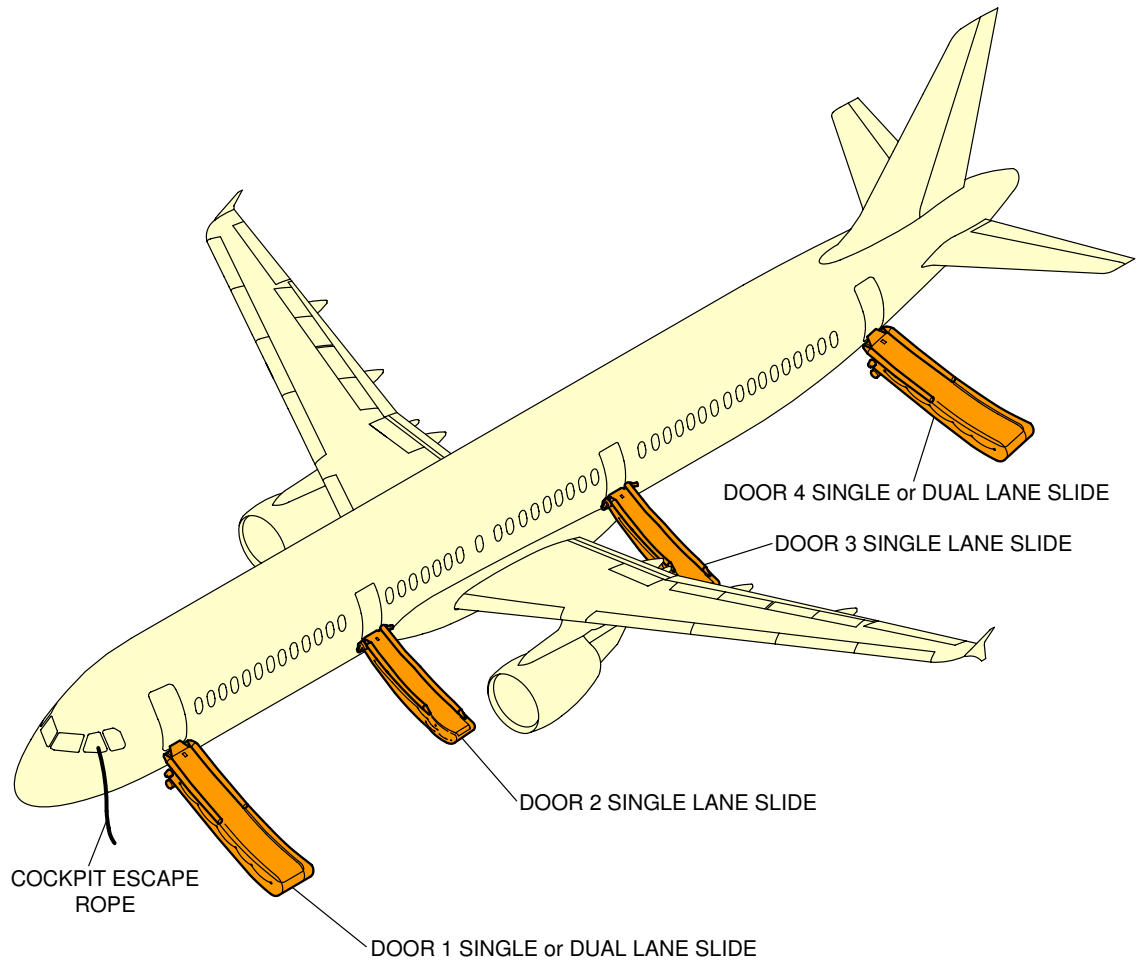
****ON A/C A321neo**

3. Location for A321NEO-ACF

Slides/rafts facilities are provided at the following locations:

- One single or dual lane slide at each door 1 and 4 (total 04)
- One single lane slide at each door 3 (total 02)
- One dual lane overwing slide at each wing (total 2).

**ON A/C A321-100 A321-200 A321neo

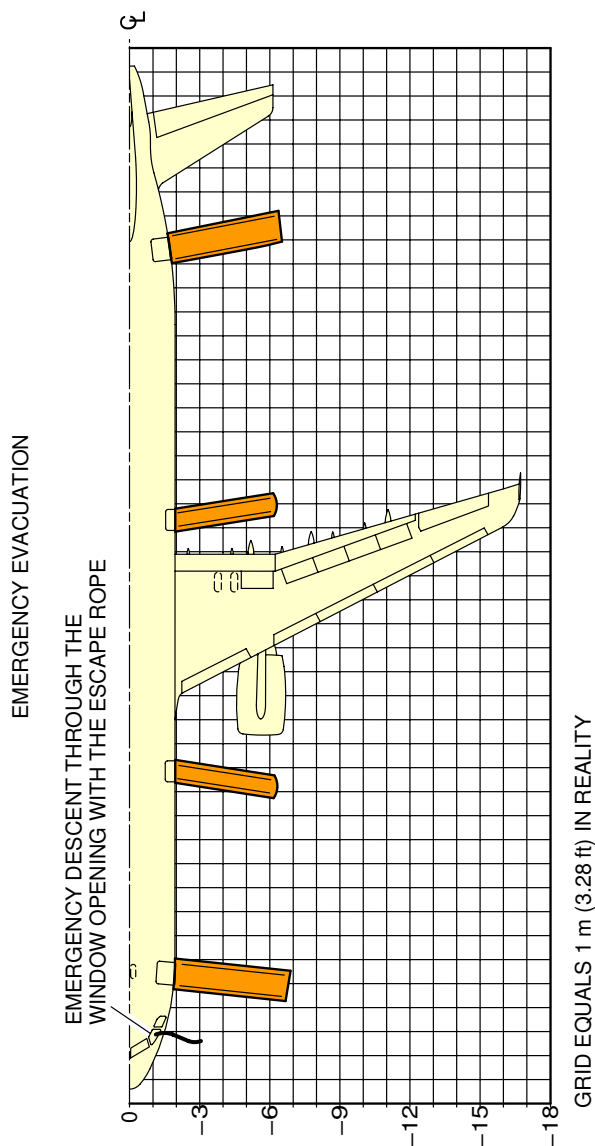


NOTE:
LH SHOWN, RH SYMMETRICAL.

N_AC_020800_1_0070101_01_04

Escape Slides
Location
FIGURE-2-8-0-991-007-A01

**ON A/C A321-100 A321-200 A321neo

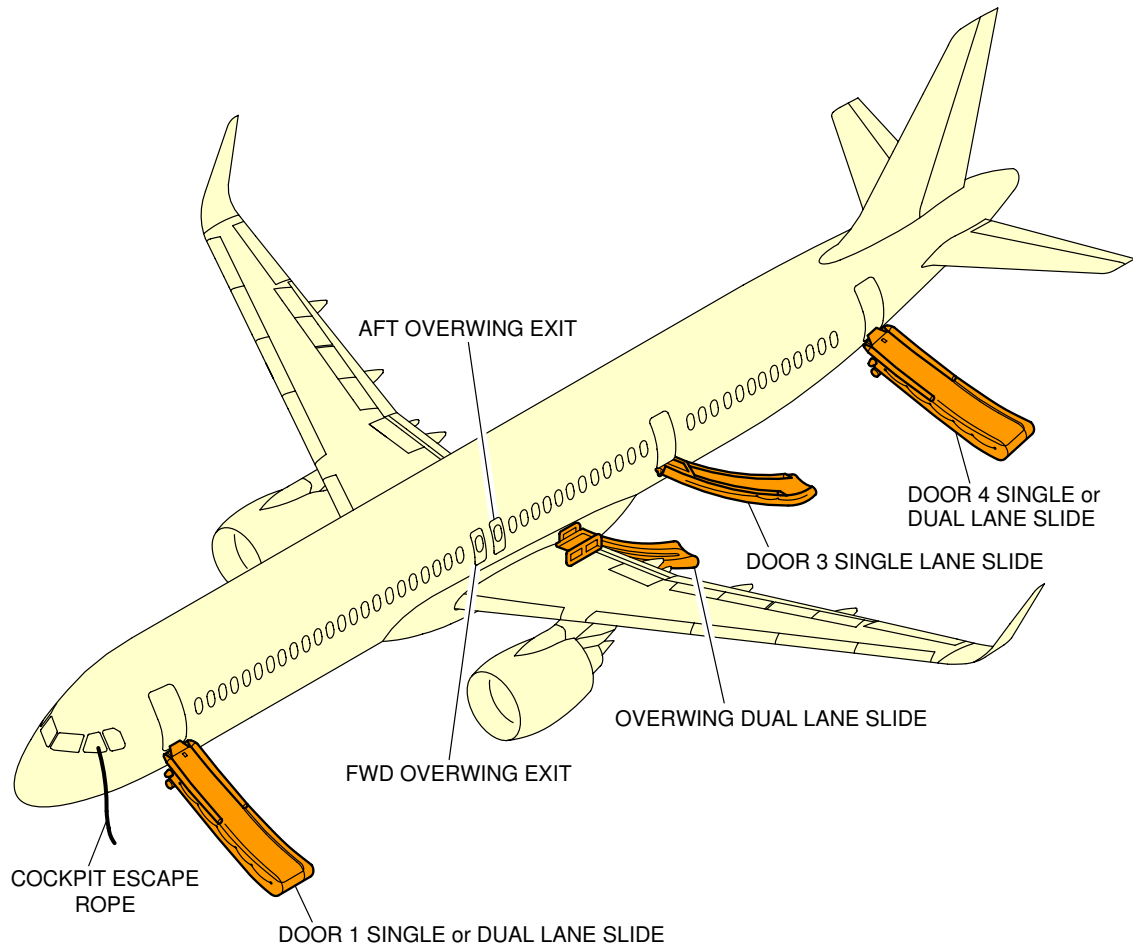


NOTE:
 - LH SHOWN, RH SYMMETRICAL.
 - DIMENSIONS ARE APPROXIMATE.

N_AC_020800_1_0080101_01_03

Escape Slides
 Dimensions
 FIGURE-2-8-0-991-008-A01

**ON A/C A321neo

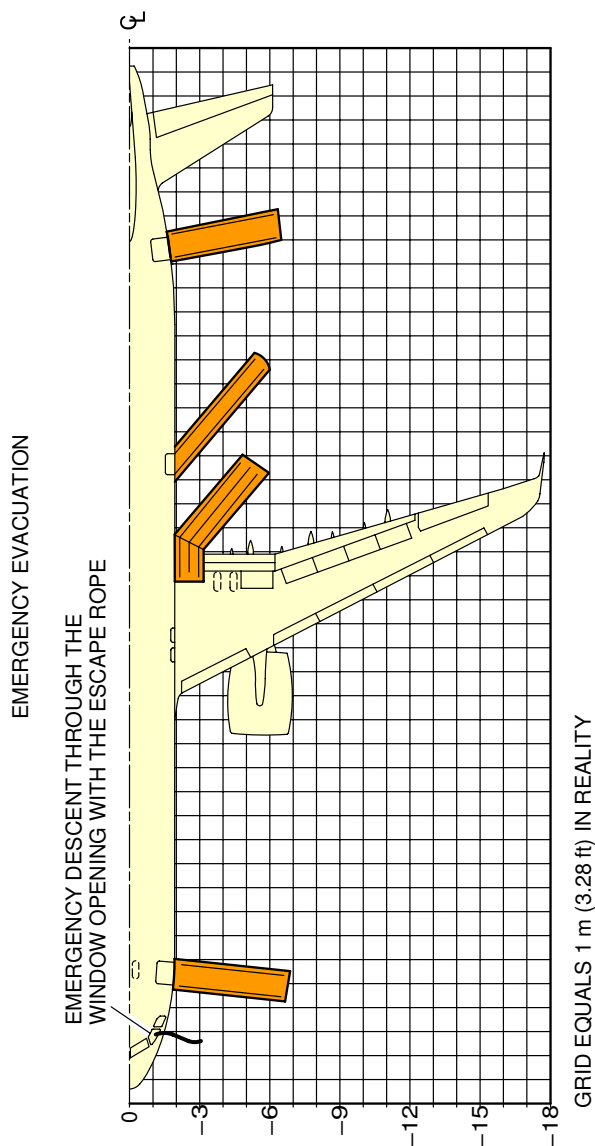


NOTE:
LH SHOWN, RH SYMMETRICAL.

N_AC_020800_1_0100101_01_01

Escape Slides for A321NEO-ACF
Location for A321NEO-ACF
FIGURE-2-8-0-991-010-A01

****ON A/C A321neo**



NOTE:
 - LH SHOWN, RH SYMMETRICAL.
 - DIMENSIONS ARE APPROXIMATE.

N_AC_020800_1_0110101_01_01

Escape Slides for A321NEO-ACF
 Dimensions for A321NEO-ACF
 FIGURE-2-8-0-991-011-A01

2-9-0 Landing Gear

****ON A/C A321-100 A321-200 A321neo**

Landing Gear

1. General

The landing gear is of the conventional retractable tricycle type comprising:

- Two main gears with twin-wheel,
- A twin-wheel nose gear.

The main landing gears are located under the wing and retract sideways towards the fuselage centerline.

The nose landing gear retracts forward into a fuselage compartment located between FR9 and FR20.

The landing gears and landing gear doors are operated and controlled electrically and hydraulically. In abnormal operation, the landing gear can be extended by gravity.

For landing gear footprint and tire size, refer to 07-02-00.

2. Main Landing Gear

A. Twin-Wheel

Each of the two main landing gear assemblies consists of a conventional two-wheel direct type with an integral shock absorber supported in the fore and aft directions by a fixed drag strut and laterally by a folding strut mechanically locked when in the DOWN position.

3. Nose Landing Gear

The nose landing gear consists of a leg with a built-in shock absorber strut, carrying twin wheels with adequate shimmy damping and a folding strut mechanically locked when in the DOWN position.

4. Nose Wheel Steering

Steering is controlled by two hand wheels in the cockpit. For steering angle controlled by the hand wheels, refer to AMM 32-51-00.

For steering angle limitation, refer to AMM 09-10-00.

A steering disconnection box is installed on the nose landing gear to allow steering deactivation for towing purposes.

5. Landing Gear Servicing Points

A. General

Filling of the landing-gear shock absorbers is done through MIL-PRF-6164 standard valves.

Charging of the landing-gear shock absorbers is accomplished with nitrogen through MIL-PRF-6164 standard valves.

B. Charging Pressure

For charging of the landing-gear shock absorbers, refer to AMM 12-14-32.

6. Braking

A. General

The four main wheels are equipped with carbon multidisc brakes.

The braking system is electrically controlled and hydraulically operated.

The braking system has four braking modes plus autobrake and anti-skid systems:

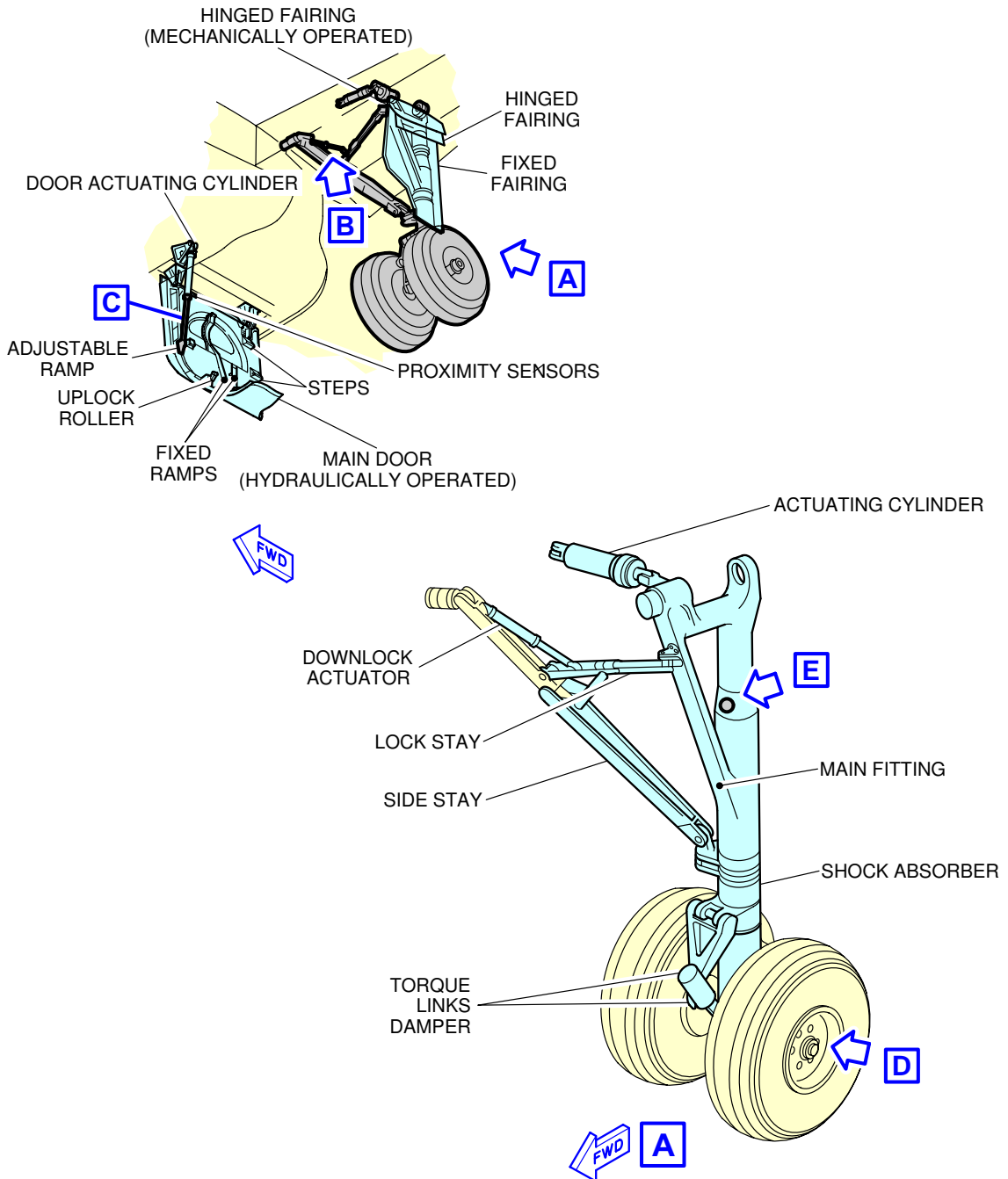
- Normal braking with anti-skid capability,
- Alternative braking with anti-skid capability,
- Alternative braking without anti-skid capability,
- Parking brake with full pressure application capability only.

B. In-Flight Wheel Braking

The main gear wheels are braked automatically before the wheels enter the wheel bay.

The nose gear wheels are stopped by the wheels contacting a rubbing strip (the brake band) when the gear is in the retracted position.

**ON A/C A321-100 A321-200 A321neo

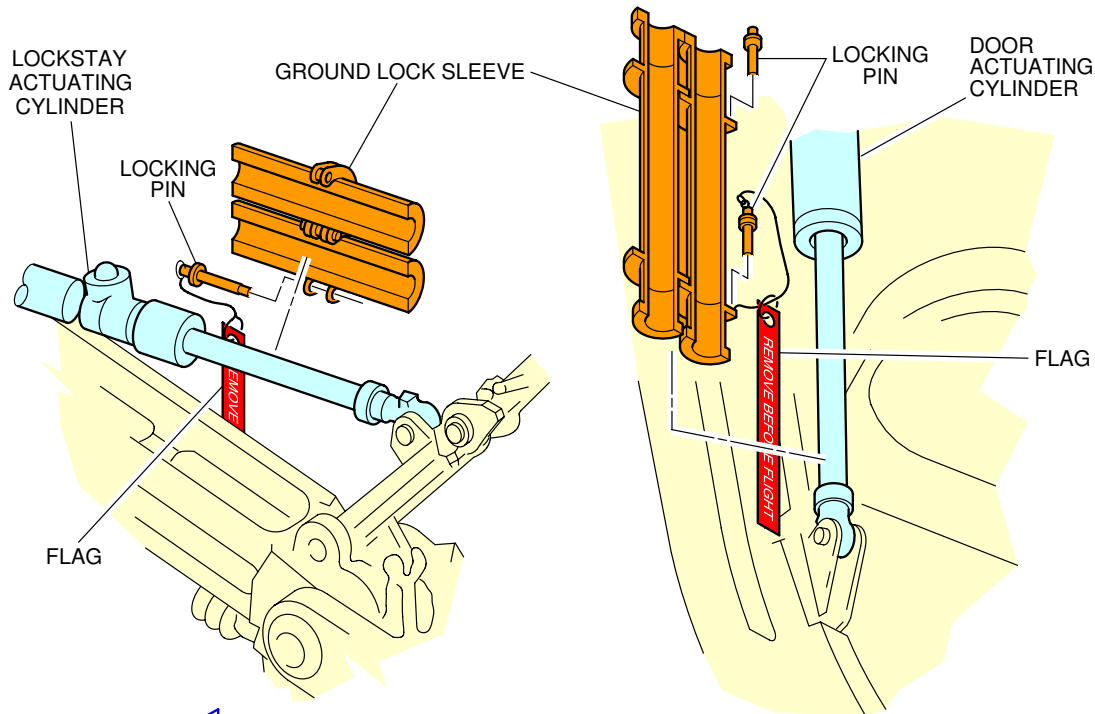


NOTE: MAIN DOOR SHOWN OPEN IN GROUND MAINTENANCE POSITION.

N_AC_020900_1_0160101_01_00

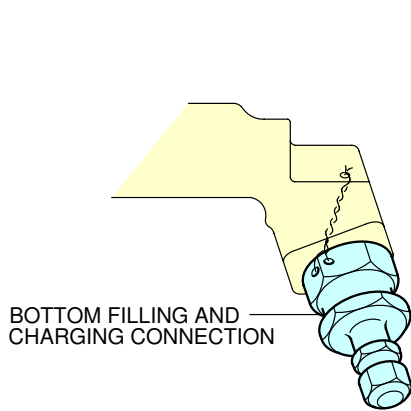
Landing Gear
Main Landing Gear - Twin-Wheel (Sheet 1 of 2)
FIGURE-2-9-0-991-016-A01

**ON A/C A321-100 A321-200 A321neo



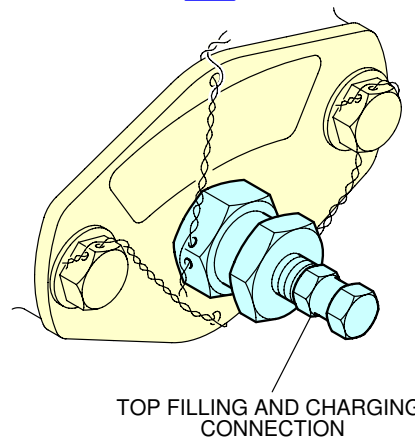
B

C



D

EXAMPLE

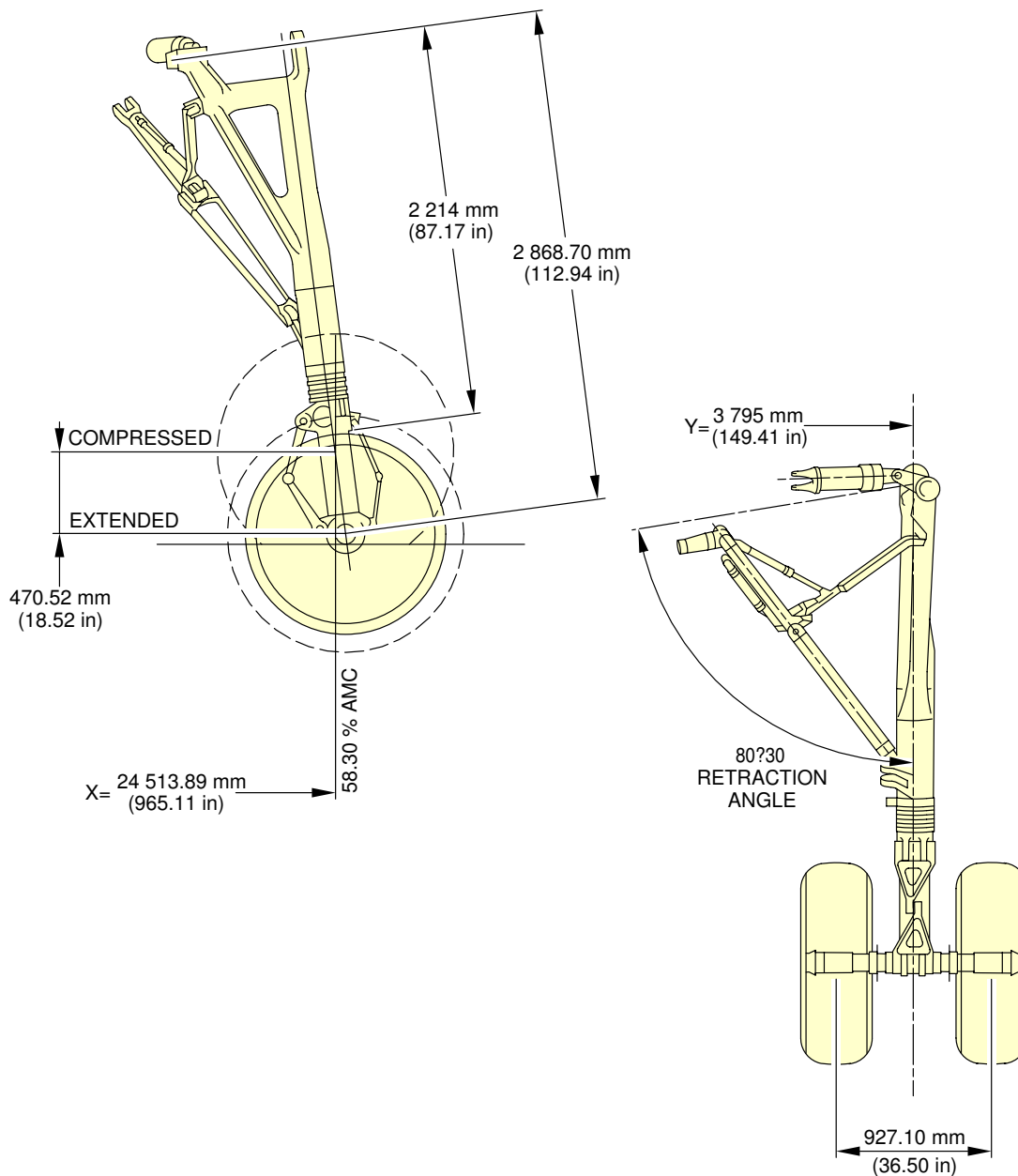


E

N_AC_020900_1_0160102_01_01

Landing Gear
Main Landing Gear - Twin-Wheel (Sheet 2 of 2)
FIGURE-2-9-0-991-016-A01

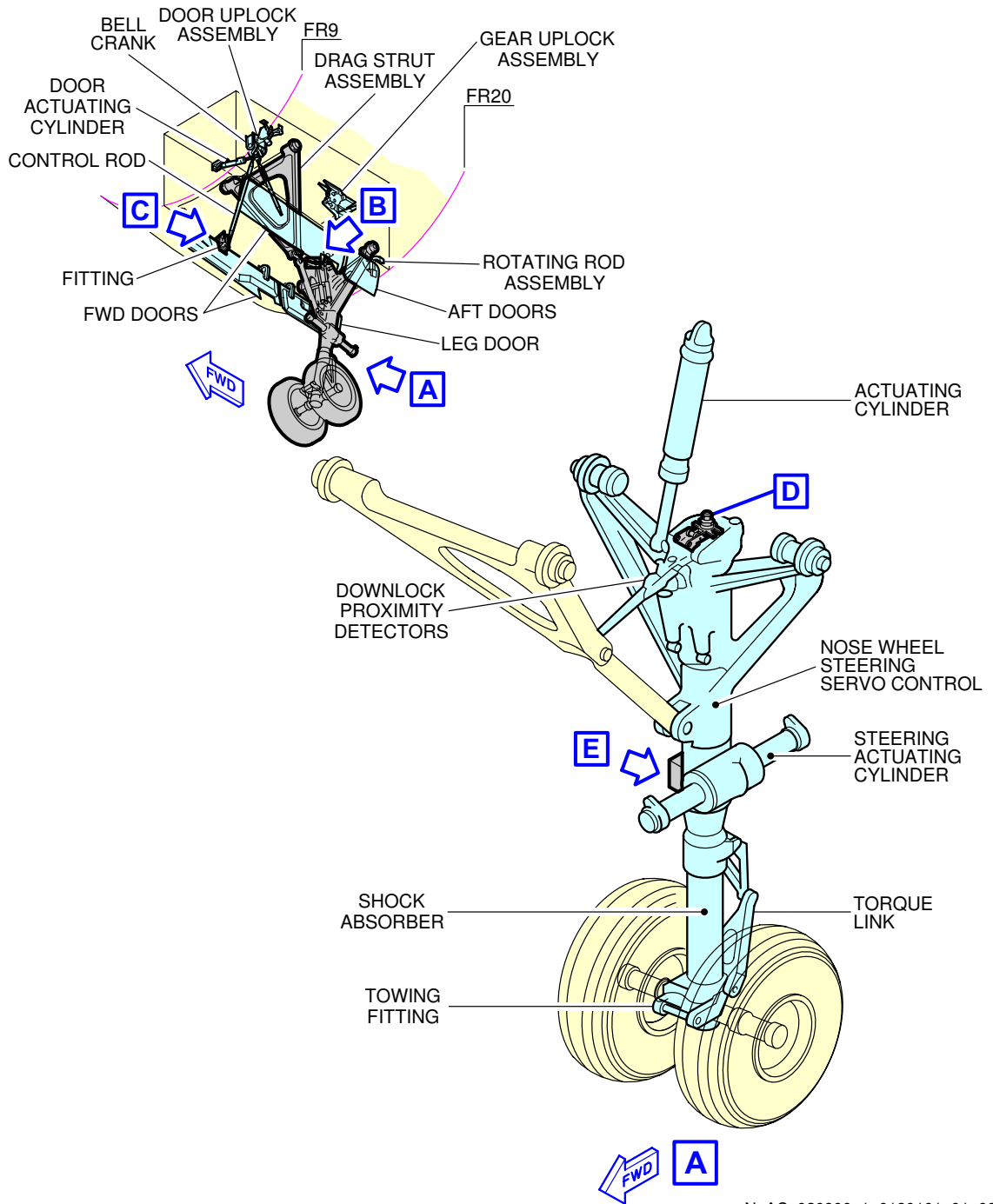
**ON A/C A321-100 A321-200 A321neo



N_AC_020900_1_0170101_01_00

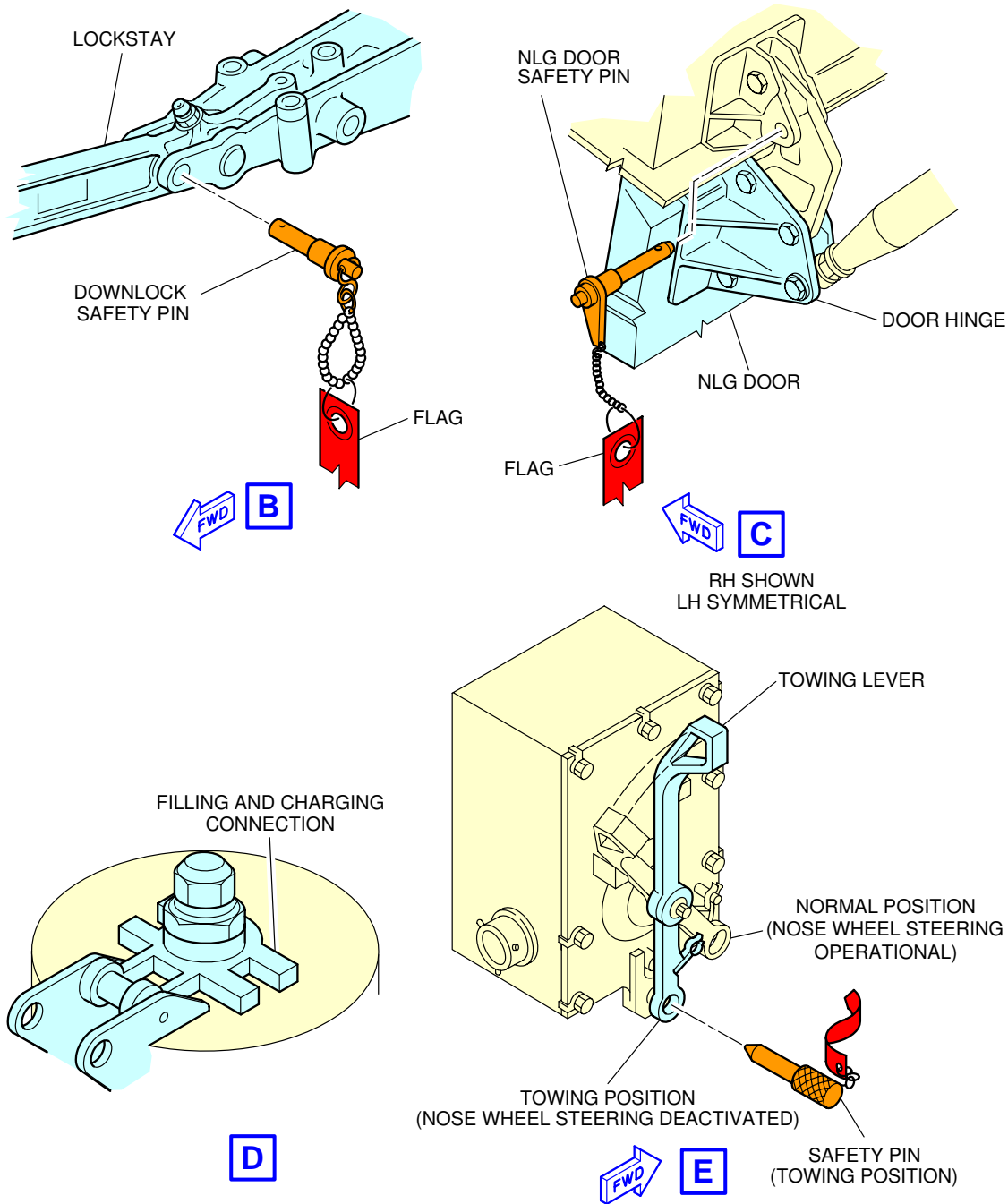
Landing Gear
Main Landing Gear Dimensions - Twin-Wheel
FIGURE-2-9-0-991-017-A01

**ON A/C A321-100 A321-200 A321neo



Landing Gear
 Nose Landing Gear (Sheet 1 of 2)
 FIGURE-2-9-0-991-018-A01

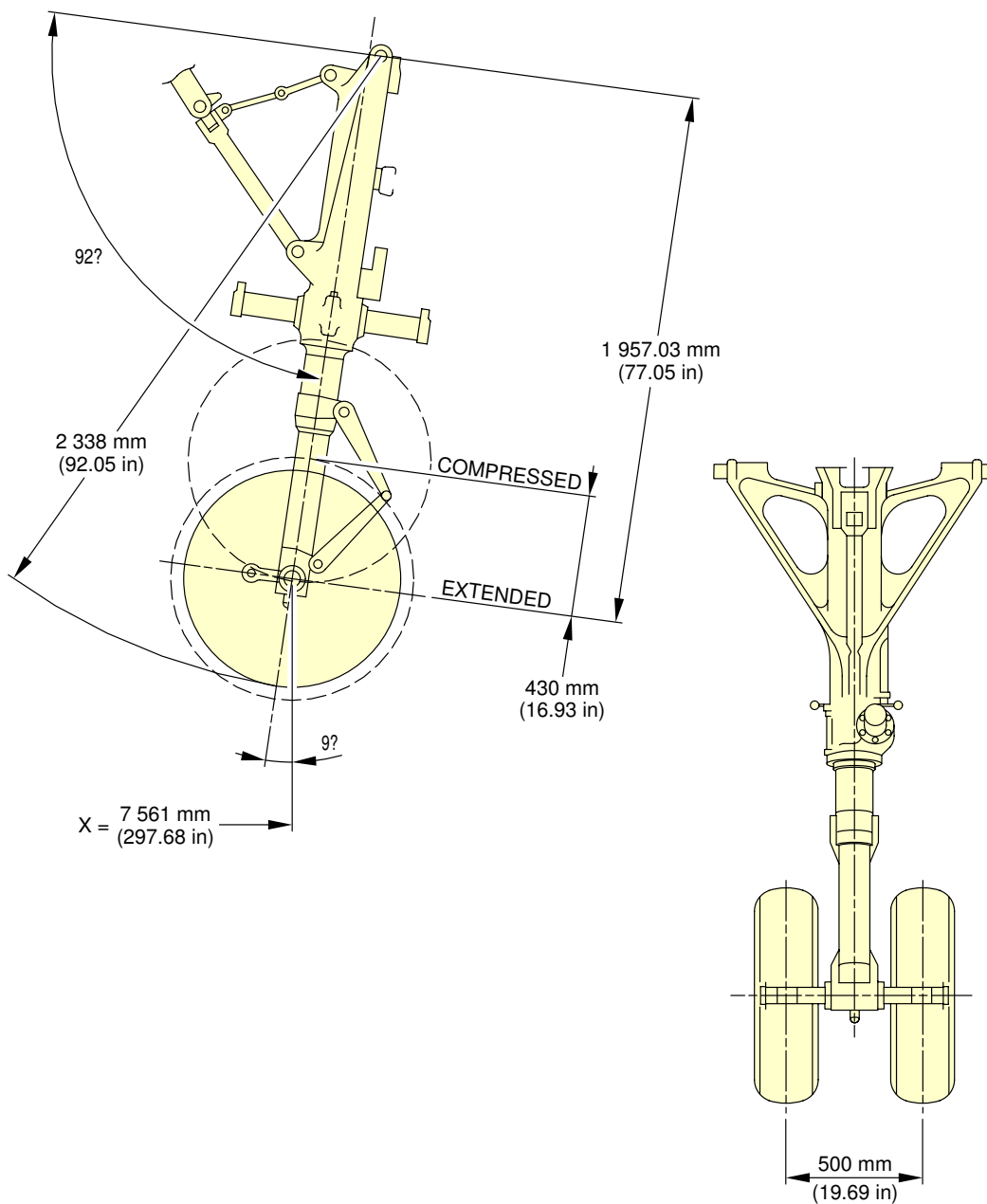
**ON A/C A321-100 A321-200 A321neo



N_AC_020900_1_0180102_01_01

Landing Gear
Nose Landing Gear (Sheet 2 of 2)
FIGURE-2-9-0-991-018-A01

**ON A/C A321-100 A321-200 A321neo



N_AC_020900_1_0190101_01_00

Landing Gear
Nose Landing Gear Dimensions
FIGURE-2-9-0-991-019-A01

****ON A/C A321-100 A321-200 A321neo**

Landing Gear Maintenance Pits

1. Description

The minimum maintenance pit envelopes for the landing-gear shock absorber removal are shown in FIGURE 2-9-0-991-026-A and FIGURE 2-9-0-991-027-A.

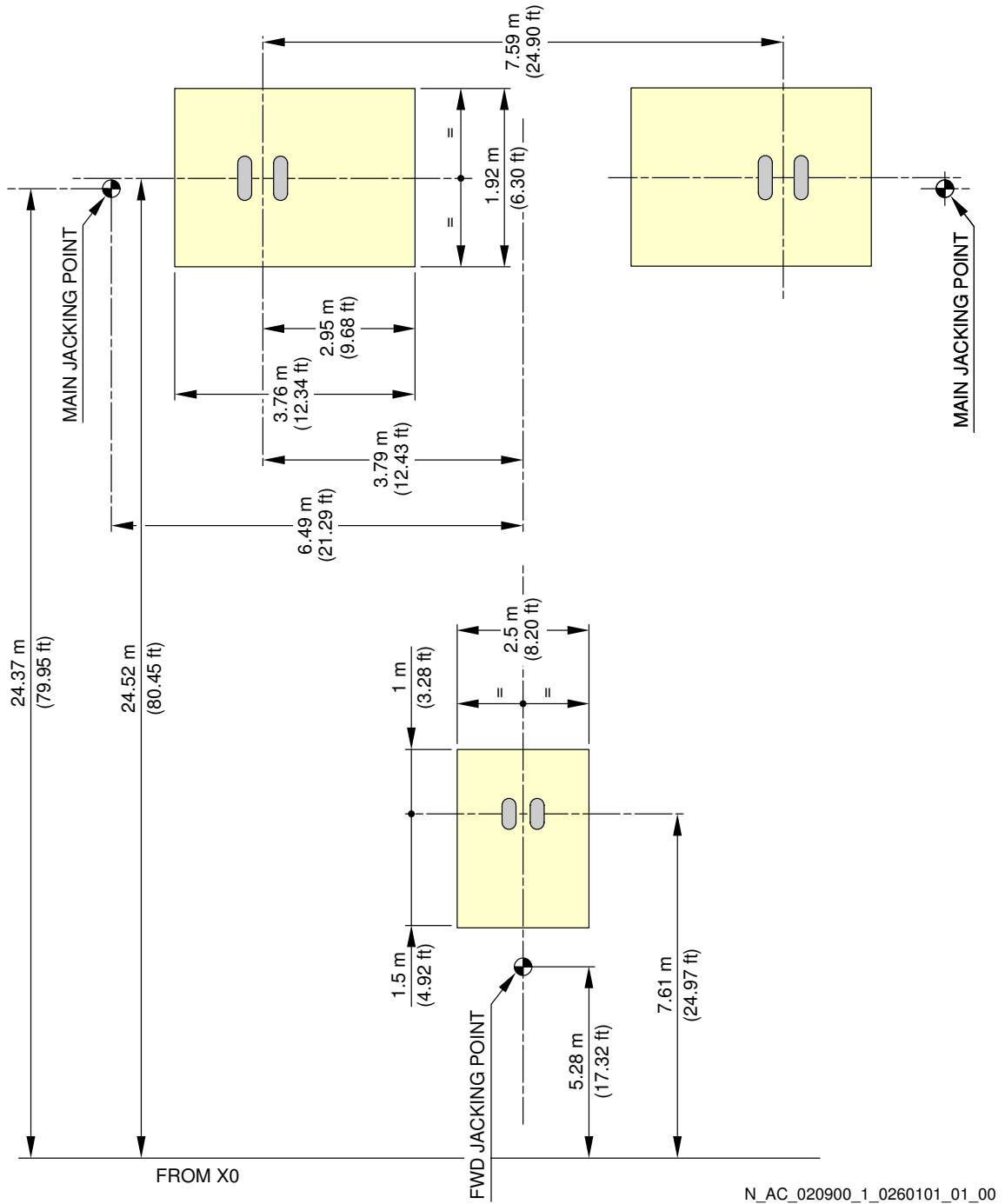
All dimensions shown are minimum dimensions with zero clearances.

The dimensions for the pits have been determined as follows:

- The length and width of the pits allow the gear to rotate as the weight is taken off the landing gear.
- The depth of the pits allows the shock absorber to be removed when all the weight is taken off the landing gear.

Dimensions for elevators and associated mechanisms must be added to those in FIGURE 2-9-0-991-026-A and FIGURE 2-9-0-991-027-A.

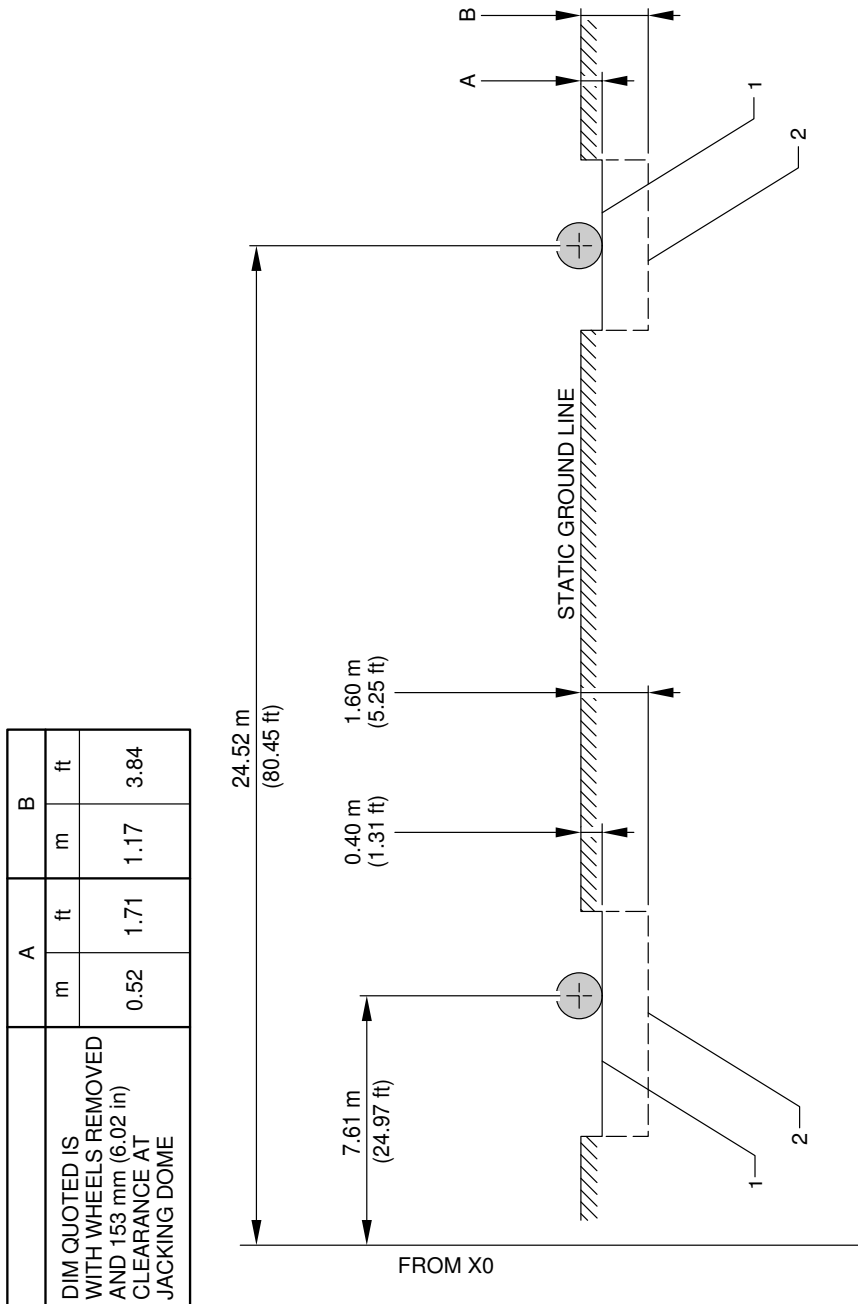
**ON A/C A321-100 A321-200 A321neo



N_AC_020900_1_0260101_01_00

Landing Gear Maintenance Pits
Maintenance Pit Envelopes
FIGURE-2-9-0-991-026-A01

**ON A/C A321-100 A321-200 A321neo



NOTE: 1 REPRESENTS TOP OF MECHANICAL OR HYDRAULIC ELEVATOR, WITH AIRCRAFT WEIGHT SUPPORTED AND LANDING GEAR SHOCK ABSORBERS EXTENDED.
 2 REPRESENTS TOP OF MECHANICAL OR HYDRAULIC ELEVATOR, SHOWN WITH ZERO CLEARANCE LOWERED FOR SHOCK ABSORBER REMOVAL.

N_AC_020900_1_0270101_01_00

Landing Gear Maintenance Pits
 Maintenance Pit Envelopes
 FIGURE-2-9-0-991-027-A01

2-10-0 Exterior Lighting

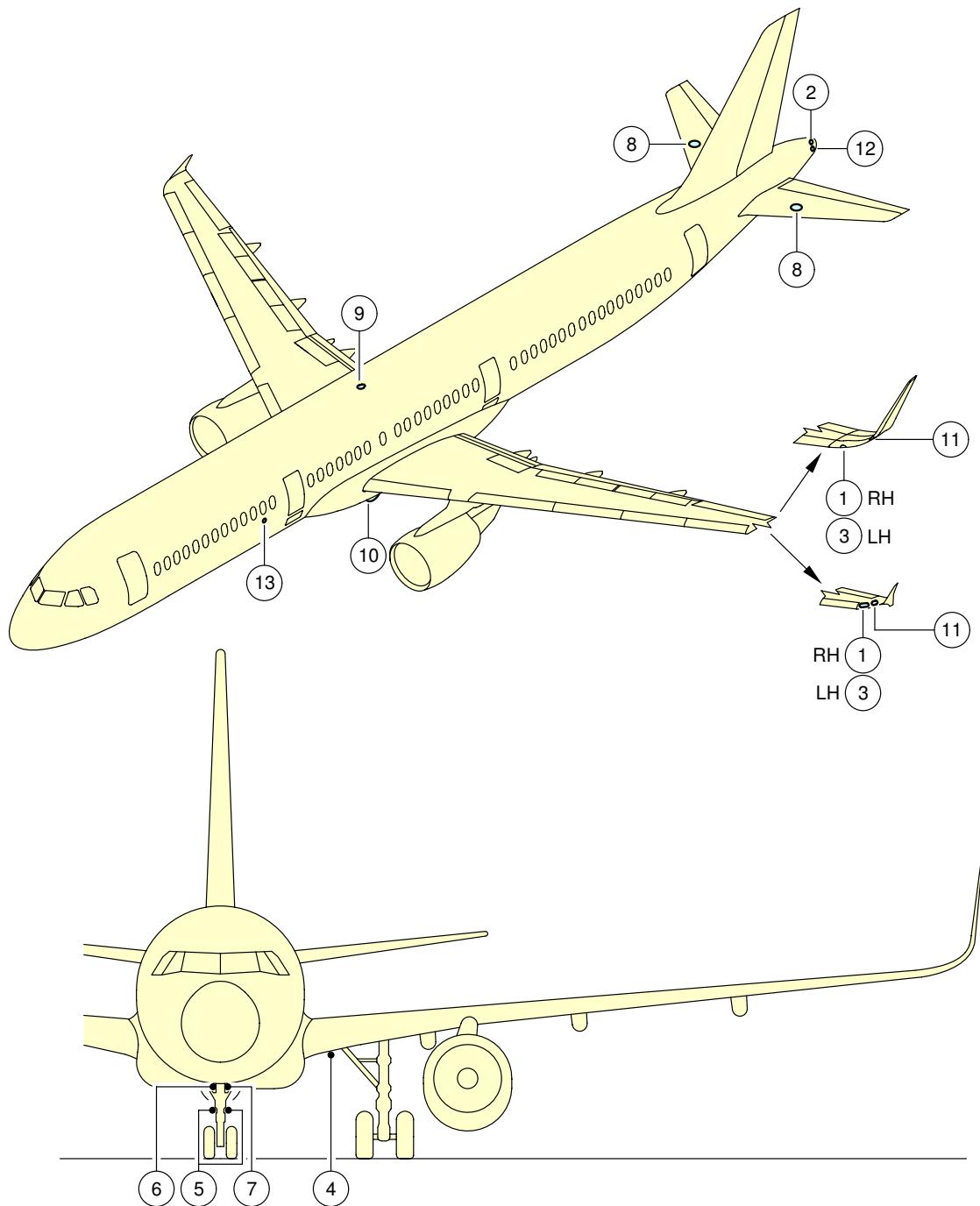
****ON A/C A321-100 A321-200 A321neo**Exterior Lighting

1. General

This section provides the location of the aircraft exterior lighting.

EXTERIOR LIGHTING	
ITEM	DESCRIPTION
1	RIGHT NAVIGATION LIGHT (GREEN)
2	TAIL NAVIGATION LIGHT (WHITE)
3	LEFT NAVIGATION LIGHT (RED)
4	RETRACTABLE LANDING LIGHT
5	RUNWAY TURN OFF LIGHT
6	TAXI LIGHT
7	TAKE-OFF LIGHT
8	LOGO LIGHT
9	UPPER ANTI-COLLISION LIGHT/BEACON (RED)
10	LOWER ANTI-COLLISION LIGHT/BEACON (RED)
11	WING STROBE LIGHT (HIGH INTENSITY, WHITE)
12	TAIL STROBE LIGHT (HIGH INTENSITY, WHITE)
13	WING/ENGINE SCAN LIGHT
14	WHEEL WELL LIGHT (DOME)
15	CARGO COMPARTMENT FLOOD LIGHT

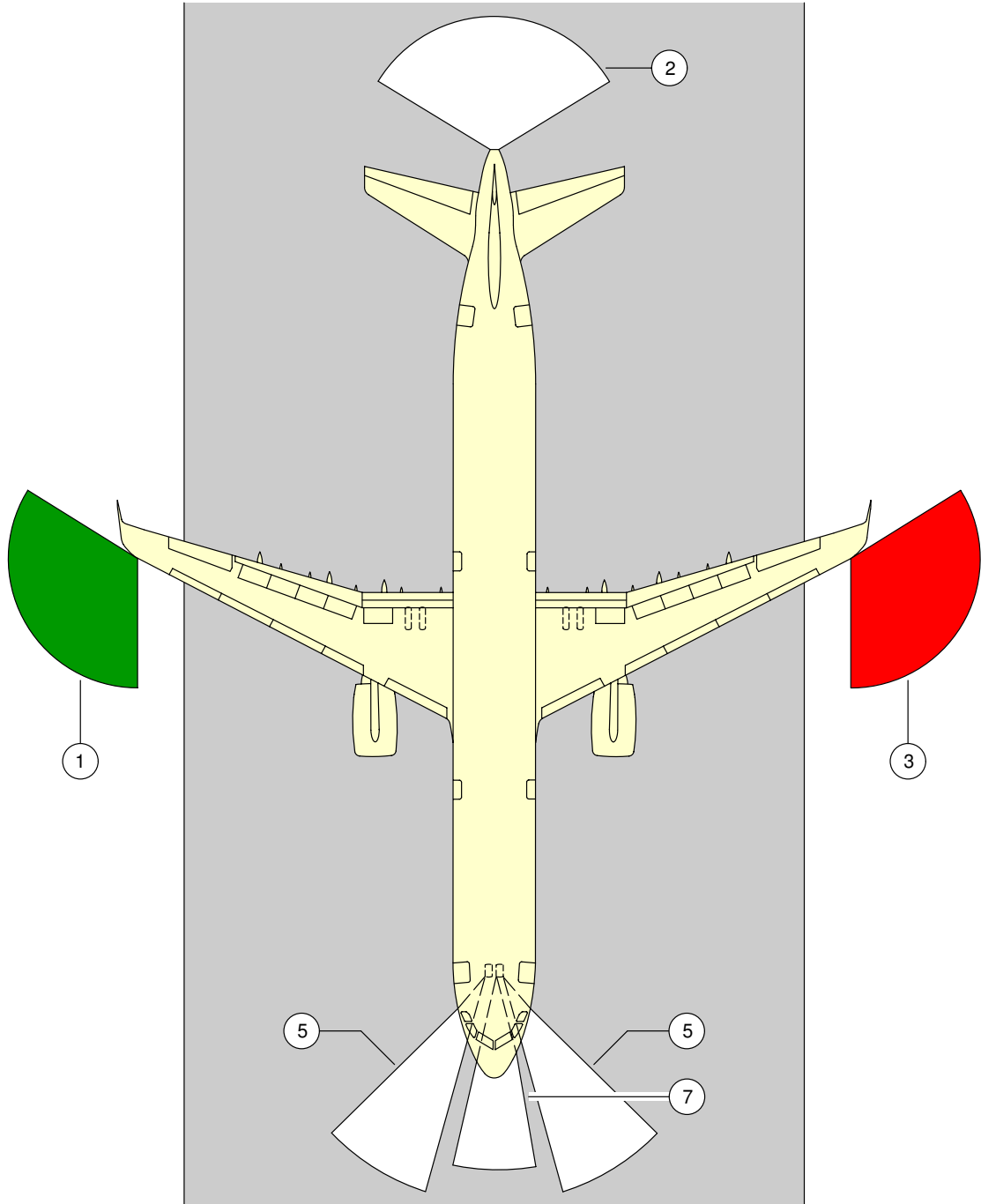
**ON A/C A321-100 A321-200 A321neo



N_AC_021000_1_0130101_01_00

Exterior Lighting
FIGURE-2-10-0-991-013-A01

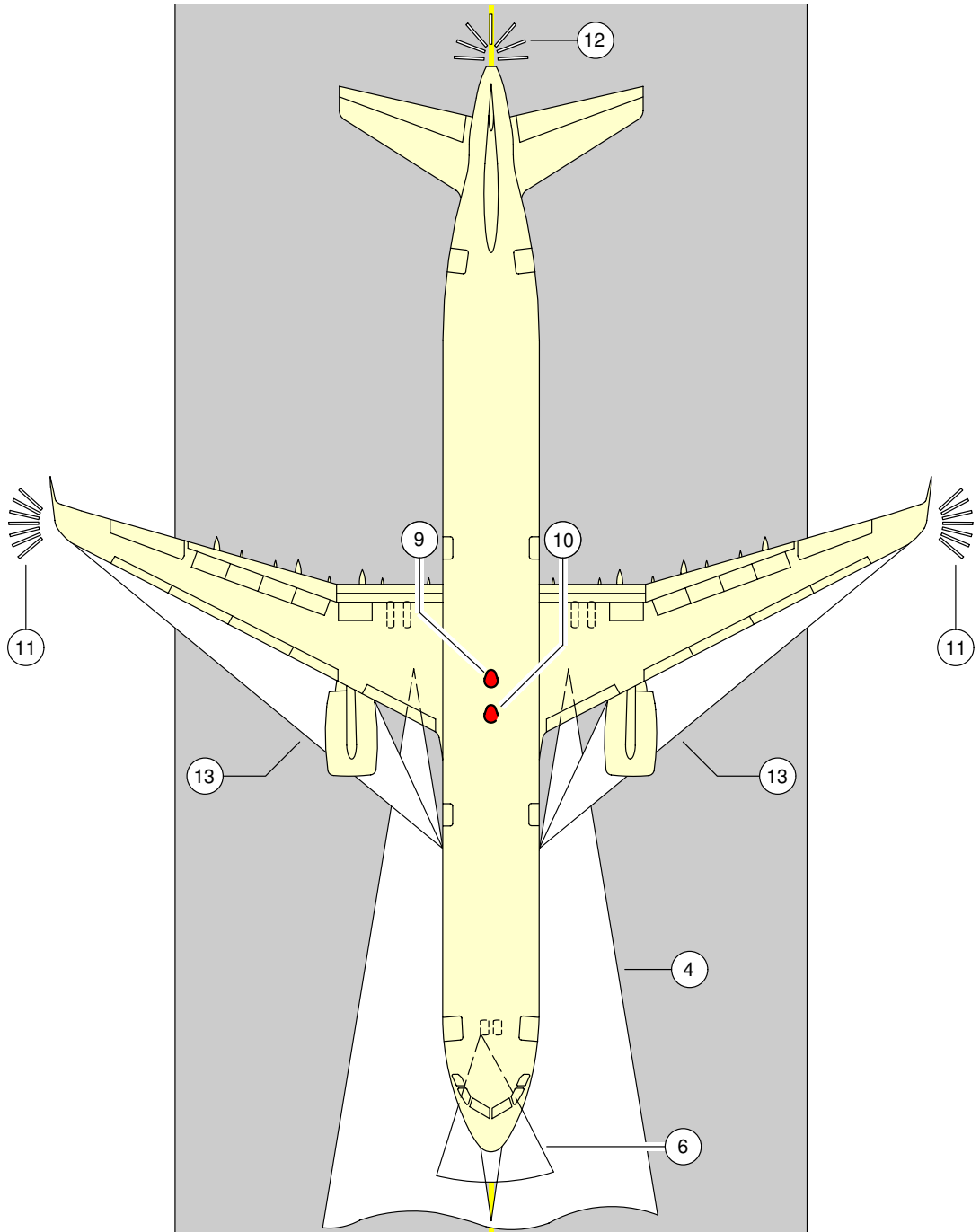
**ON A/C A321-100 A321-200 A321neo



N_AC_021000_1_0140101_01_00

Exterior Lighting
FIGURE-2-10-0-991-014-A01

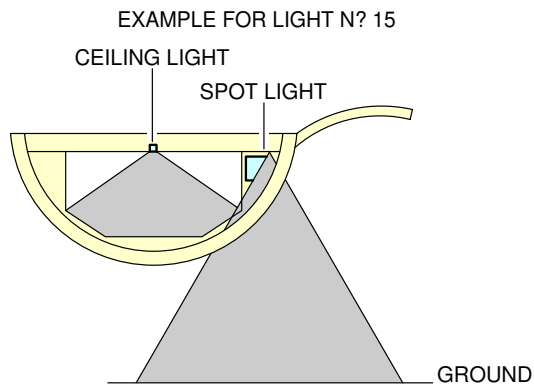
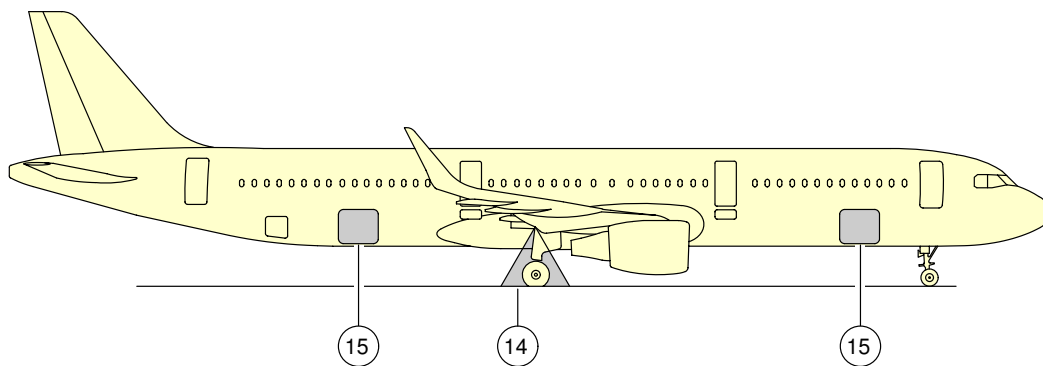
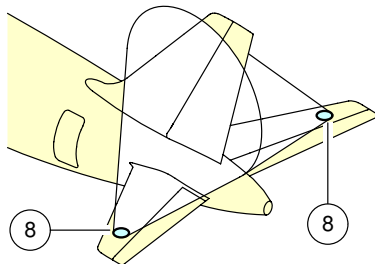
**ON A/C A321-100 A321-200 A321neo



N_AC_021000_1_0150101_01_00

Exterior Lighting
FIGURE-2-10-0-991-015-A01

**ON A/C A321-100 A321-200 A321neo



N_AC_021000_1_0200101_01_00

Exterior Lighting
FIGURE-2-10-0-991-020-A01



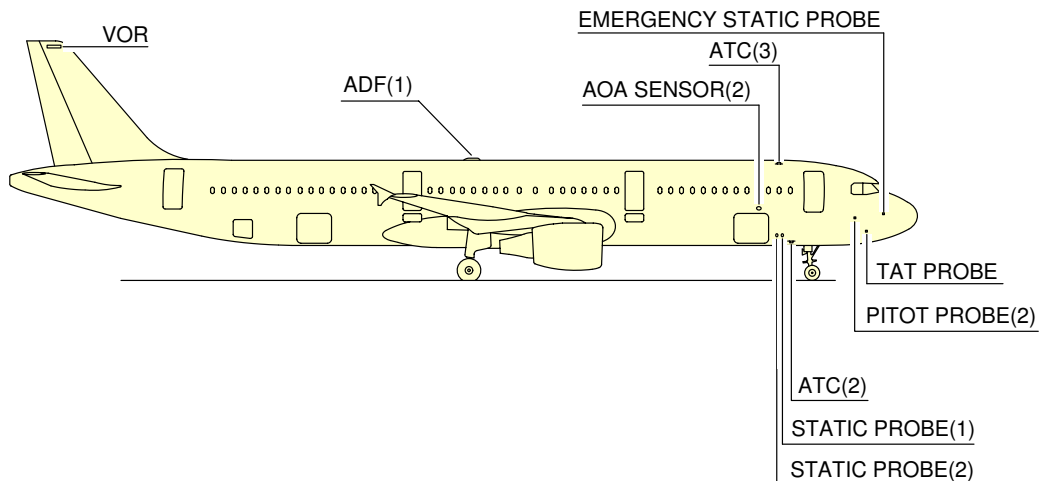
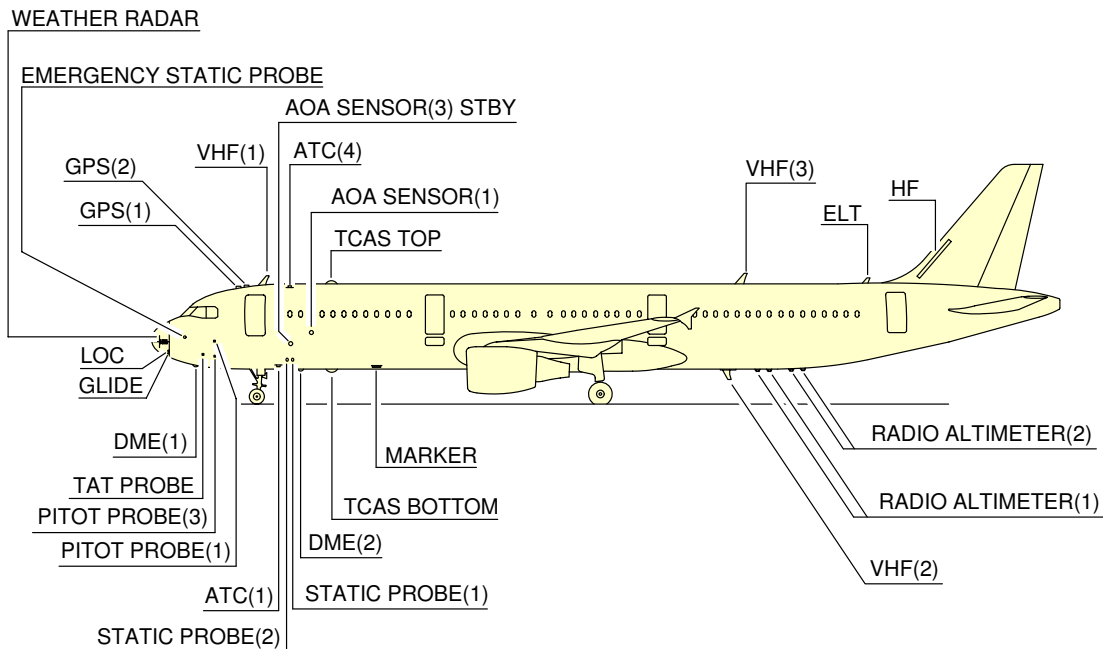
2-11-0 **Antennas and Probes Location**

****ON A/C A321-100 A321-200 A321neo**

Antennas and Probes Location

1. This section gives the location of antennas and probes.

**ON A/C A321-100 A321-200 A321neo



NOTE: DEPENDING ON AIRCRAFT CONFIGURATION

N_AC_021100_1_0040101_01_00

Antennas and Probes
Location
FIGURE-2-11-0-991-004-A01

2-12-0 Power Plant****ON A/C A321-100 A321-200 A321neo**Auxiliary Power Unit

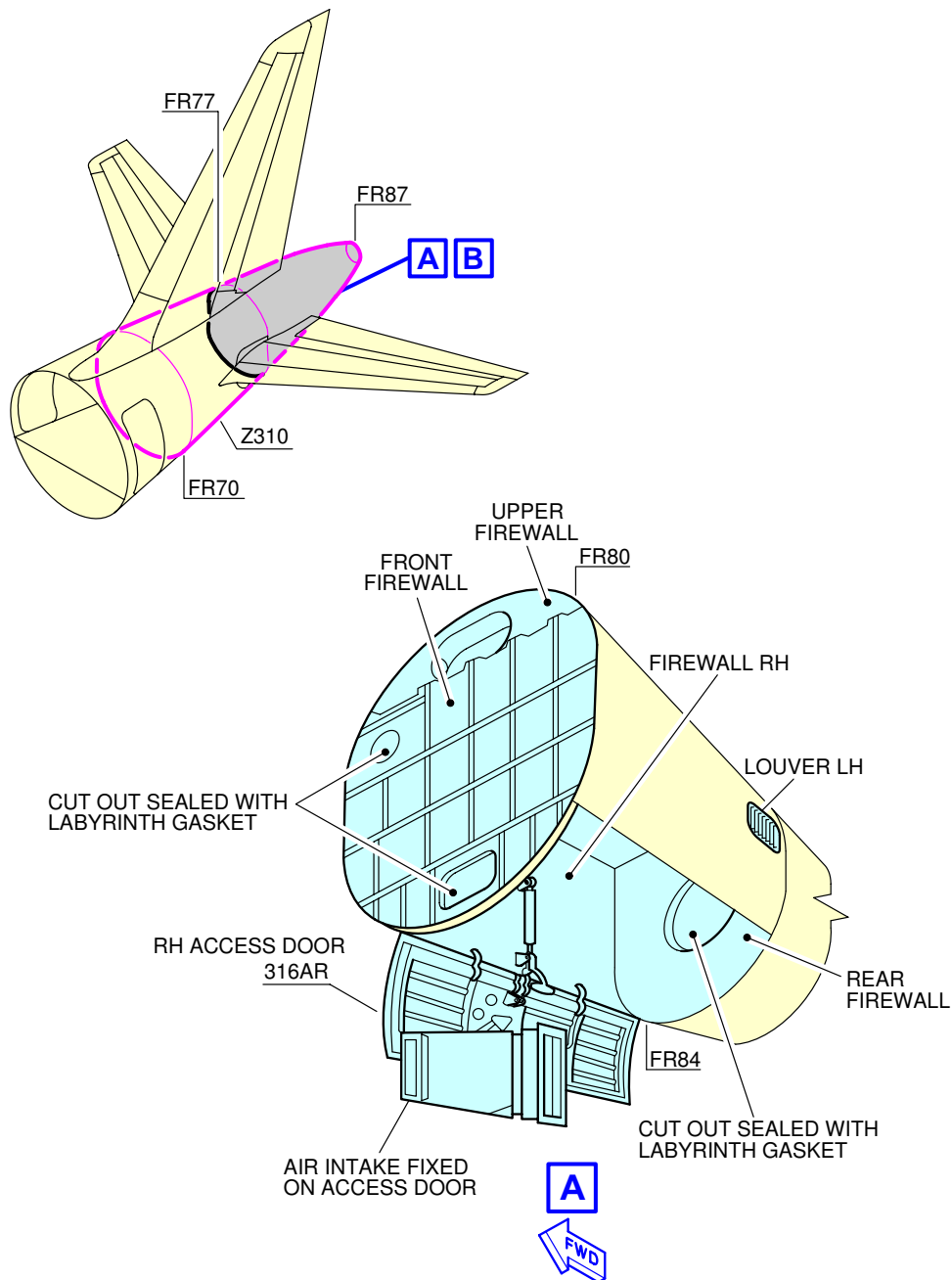
1. General

The APU is installed at the rear part of the fuselage in the tail cone. An air intake system with a flap-type door is installed in front of the APU compartment. The exhaust gases pass overboard at the end of the fuselage cone.

2. Controls and Indication

The primary APU controls and indications are installed on the overhead panel, on the center pedestal and on the center instrument panel. Additionally, an external APU panel is installed on the nose landing gear to initiate an APU emergency shutdown.

**ON A/C A321-100 A321-200 A321neo

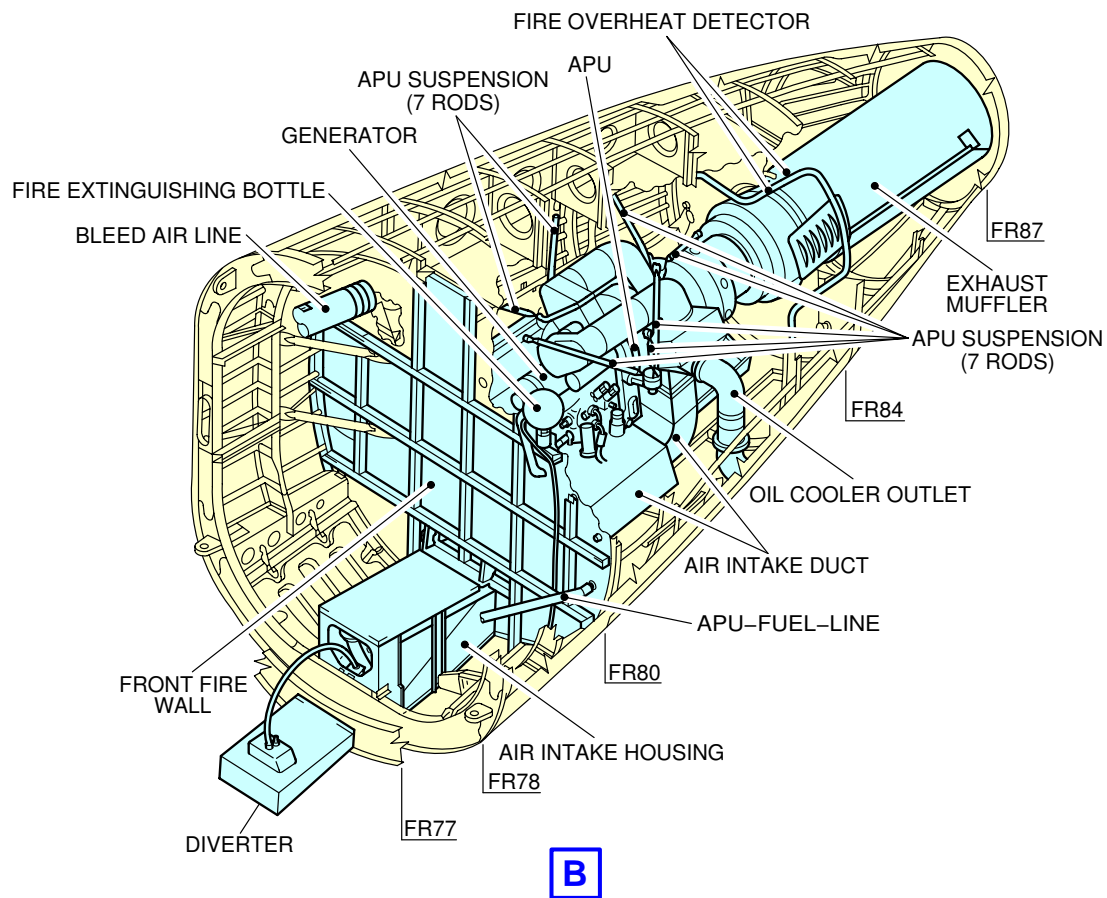


NOTE:
LH ACCESS DOOR 315AL NOT SHOWN FOR CLARITY.

N_AC_021200_1_0070101_01_01

Auxiliary Power Unit
Access Doors
FIGURE-2-12-0-991-007-A01

**ON A/C A321-100 A321-200 A321neo



N_AC_021200_1_0080101_01_01

Auxiliary Power Unit
General Layout
FIGURE-2-12-0-991-008-A01

****ON A/C A321-100 A321-200 A321neo**

Engine and Nacelle

****ON A/C A321-100 A321-200**

1. Engine and Nacelle - CFM Engine

A. Engine

The engine is a dual-rotor, variable stator, high bypass ratio turbofan powerplant for subsonic services. The principal modules of the engine are:

- low pressure compressor (fan stator and fan rotor)
- high pressure compressor
- turbine frame
- combustion chamber
- high pressure turbine
- low pressure turbine
- accessory drives (gear box).

The 9 stage high pressure compressor is driven by 1 stage high pressure turbine, and the integrated front fan and booster is driven by 4 stage low pressure turbine. An annular combustor converts fuel and compressor discharge air into energy to provide engine thrust part through primary exhaust and to drive the turbines. The accessory drive system extracts energy from the high pressure rotor to drive the engine accessories and the engine mounted aircraft accessories. Reverse thrust for braking the aircraft after landing is supplied by an integrated system which acts on the fan discharge airflow.

B. Nacelle

The cowls enclose the periphery of the engine so as to form the engine nacelle. Each engine is housed in a nacelle suspended from a pylon attached to the wing lower surface. The nacelle consists of the demountable powerplant, the fan cowls and the thrust reverser cowls.

The nacelle installation is designed to provide cooling and ventilation air for engine accessories mounted along the fan and core casing. The nacelle provides:

- protection for the engine and the accessories
- airflow around the engine during its operation
- lighting protection
- HIRF and EMI attenuation.

2. Engine and Nacelle - IAE Engine

A. Engine

The engine is a two spool, axial flow, high bypass ratio turbofan powerplant for subsonic service. The main modules of the engine are:

- low pressure compressor (fan and booster) assembly
- LP compressor/intermediate case
- No. 4 bearing and combustion section
- high pressure compressor
- HP turbine section
- LP turbine section
- accessory drives (gear box).

The four stage Low Pressure Compressor (LPC) is driven by a five stage Low Pressure Turbine (LPT) and the ten stage High Pressure Compressor (HPC) by a two stage High Pressure Turbine (HPT). The HPT also drives a gearbox which, in turn drives the engines and aircraft mounted accessories. The two shafts are supported by five main bearings.

The V2500 incorporates a Full Authority Digital Engine Control (FADEC) which governs all engine functions, including power management. Reverse thrust for braking the aircraft after landing is supplied by an integrated system which acts on the fan discharge airflow.

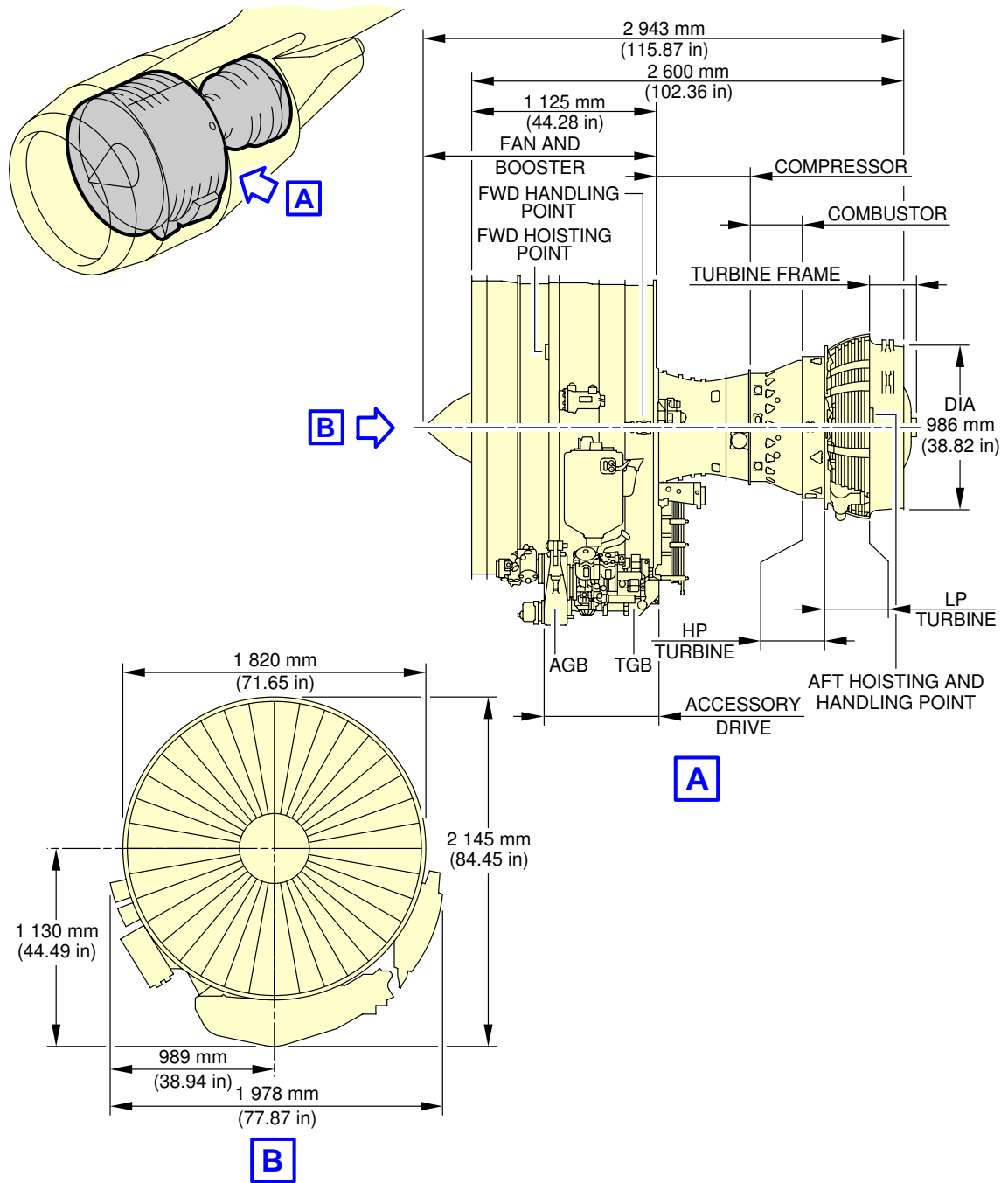
B. Nacelle

The cowls enclose the periphery of the engine so as to form the engine nacelle. Each engine is housed in a nacelle suspended from a pylon attached below the wing.

The nacelle installation is designed to provide cooling and ventilation air for engine accessories mounted along the fan and core casing. The nacelle provides:

- protection for the engine and the accessories
- airflow around the engine during its operation
- lighting protection
- HIRF and EMI attenuation.

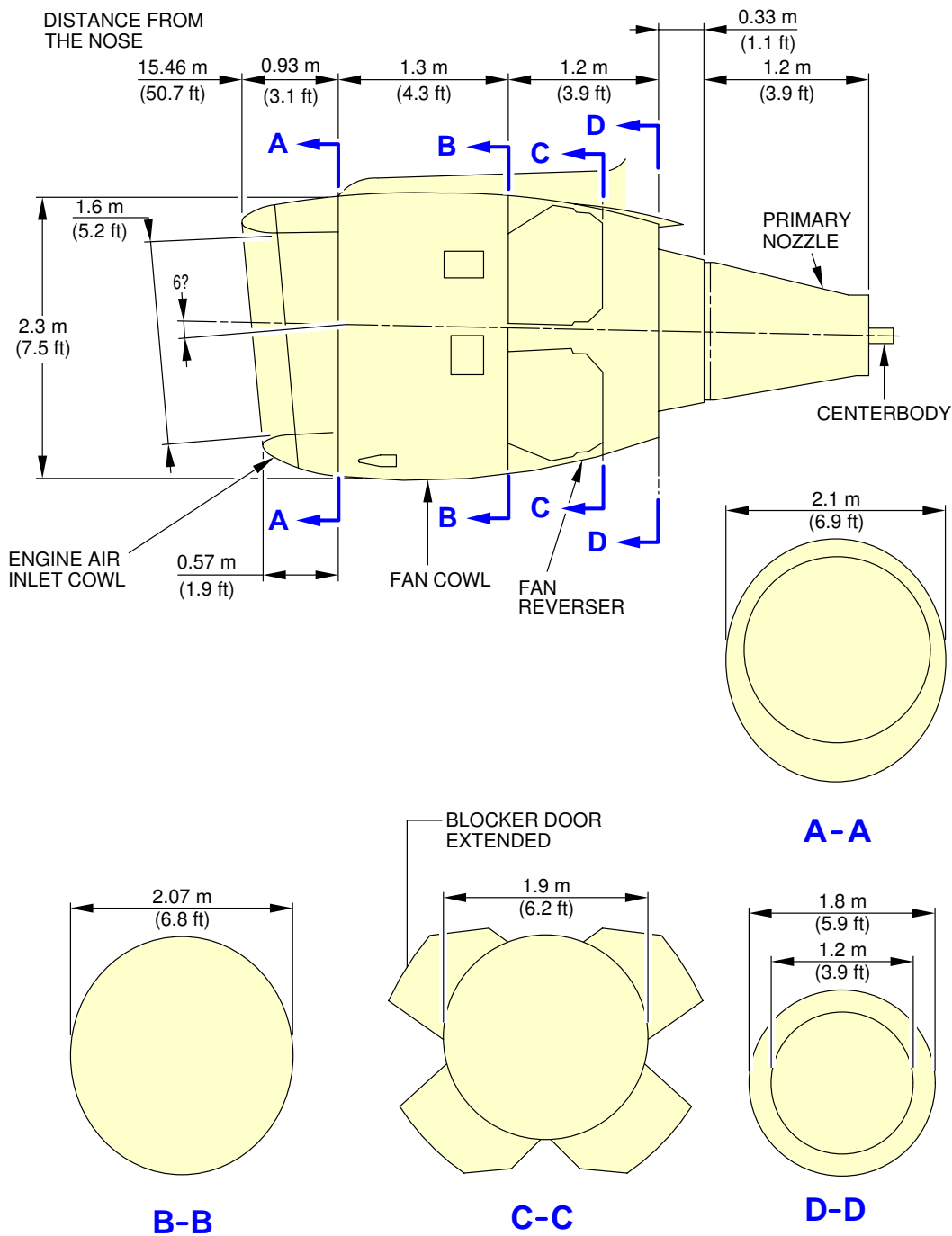
**ON A/C A321-100 A321-200



N_AC_021200_1_0350101_01_00

Power Plant Handling
Major Dimensions - CFM56 Series Engine
FIGURE-2-12-0-991-035-A01

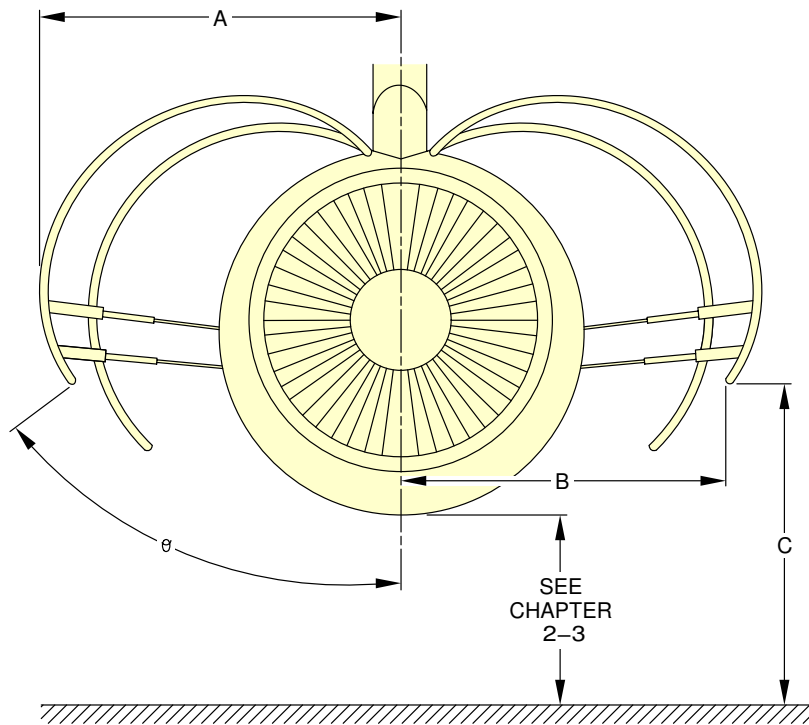
****ON A/C A321-100 A321-200**



N_AC_021200_1_0360101_01_00

Power Plant Handling
Major Dimensions - CFM56 Series Engine
FIGURE-2-12-0-991-036-A01

**ON A/C A321-100 A321-200



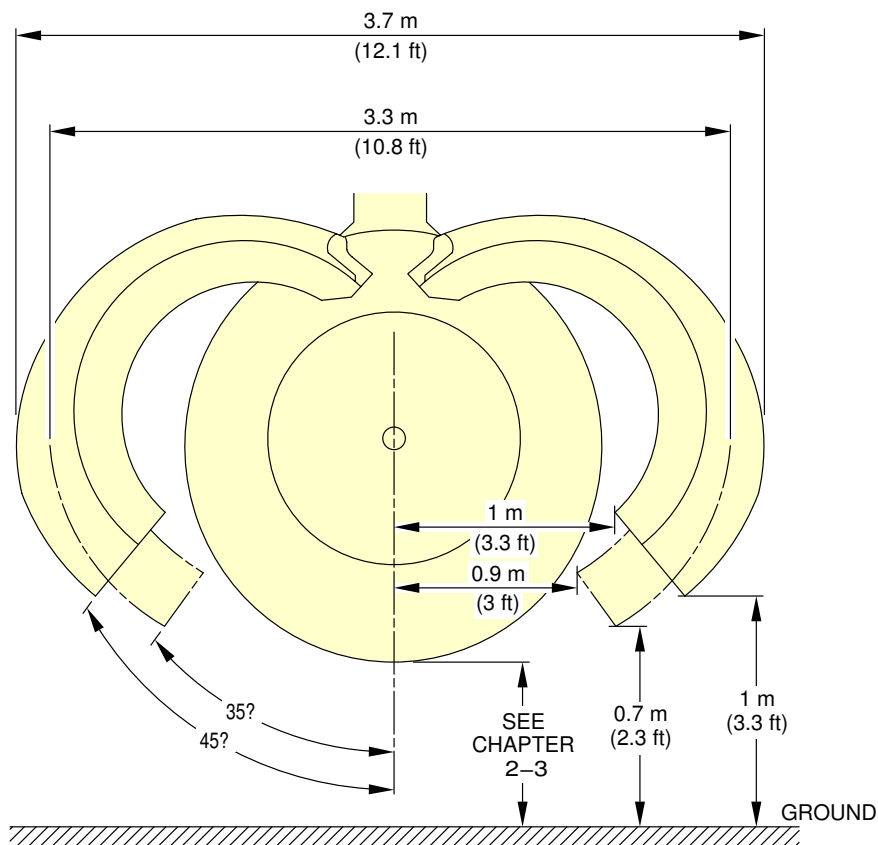
NOTE: APPROXIMATE DIMENSIONS.

m (ft)	θ	A	B	C
VIEW COWLING AFT	42°27'	1.8 (5.9)	1.5 (4.9)	1.3 (4.3)
	55°15'	2.0 (6.6)	1.8 (5.9)	1.7 (5.6)
VIEW COWLING FWD	40°40'	1.8 (5.9)	1.4 (4.6)	1.3 (4.3)
	52°56'	2.0 (6.6)	1.7 (5.6)	1.6 (5.2)

N_AC_021200_1_0370101_01_01

Power Plant Handling
Fan Cowls - CFM56 Series Engine
FIGURE-2-12-0-991-037-A01

****ON A/C A321-100 A321-200**



NOTE: APPROXIMATE DIMENSIONS.

CAUTION

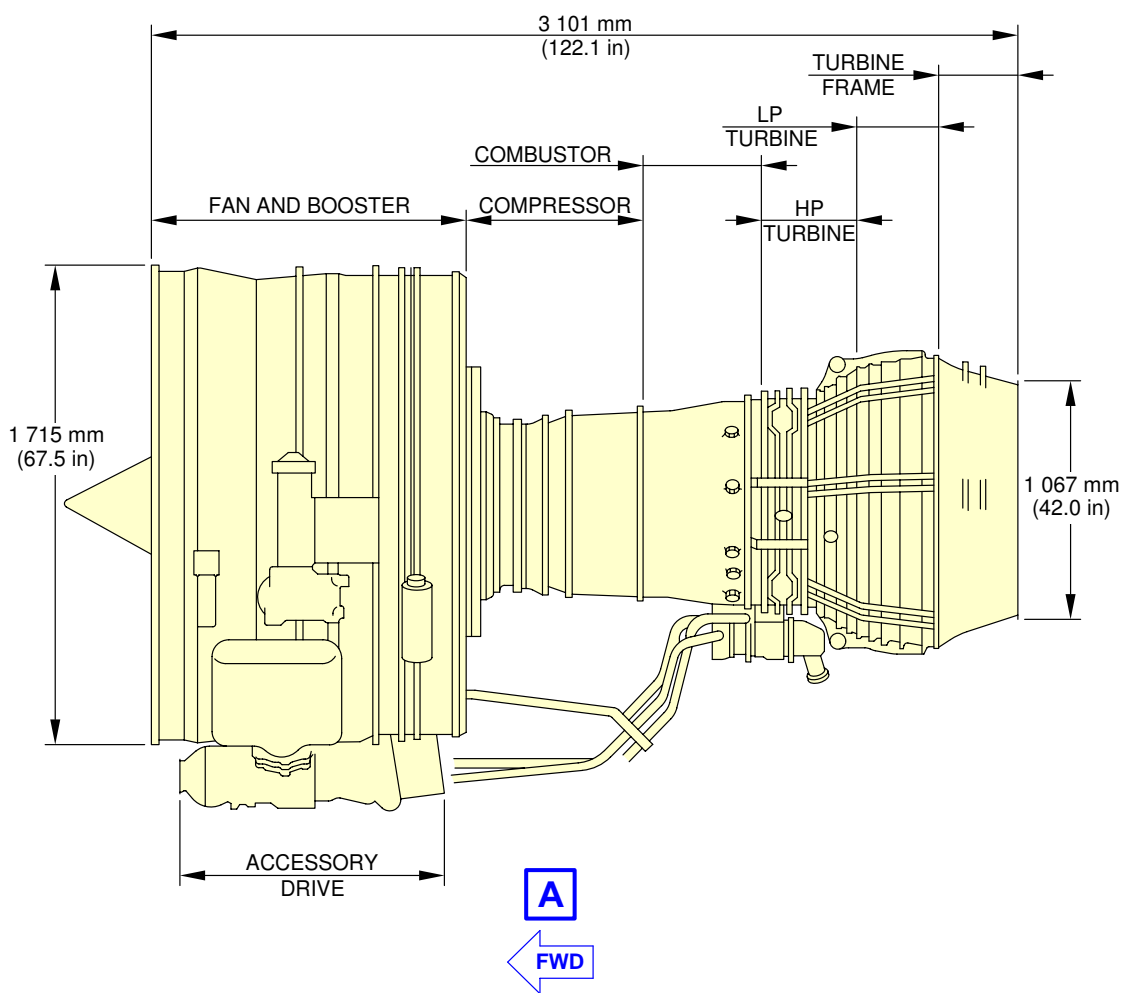
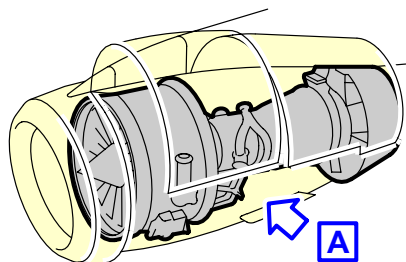
DO NOT ACTUATE SLATS:

- WITH THRUST REVERSER COWLS 45° OPEN POSITION
- WITH BLOCKER DOORS OPEN AND THRUST REVERSER COWLS AT 35° AND 45° OPEN POSITION.

N_AC_021200_1_0380101_01_01

Power Plant Handling
Thrust Reverser Cowls - CFM56 Series Engine
FIGURE-2-12-0-991-038-A01

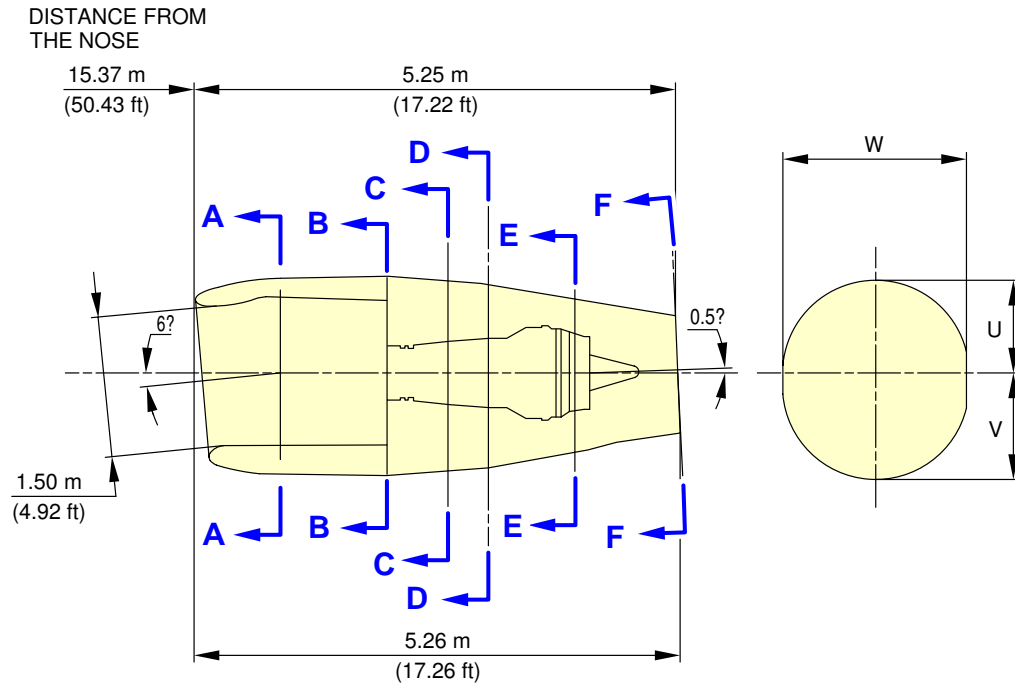
**ON A/C A321-100 A321-200



N_AC_021200_1_0390101_01_00

Power Plant Handling
Major Dimensions - IAE V2500 Series Engine
FIGURE-2-12-0-991-039-A01

**ON A/C A321-100 A321-200



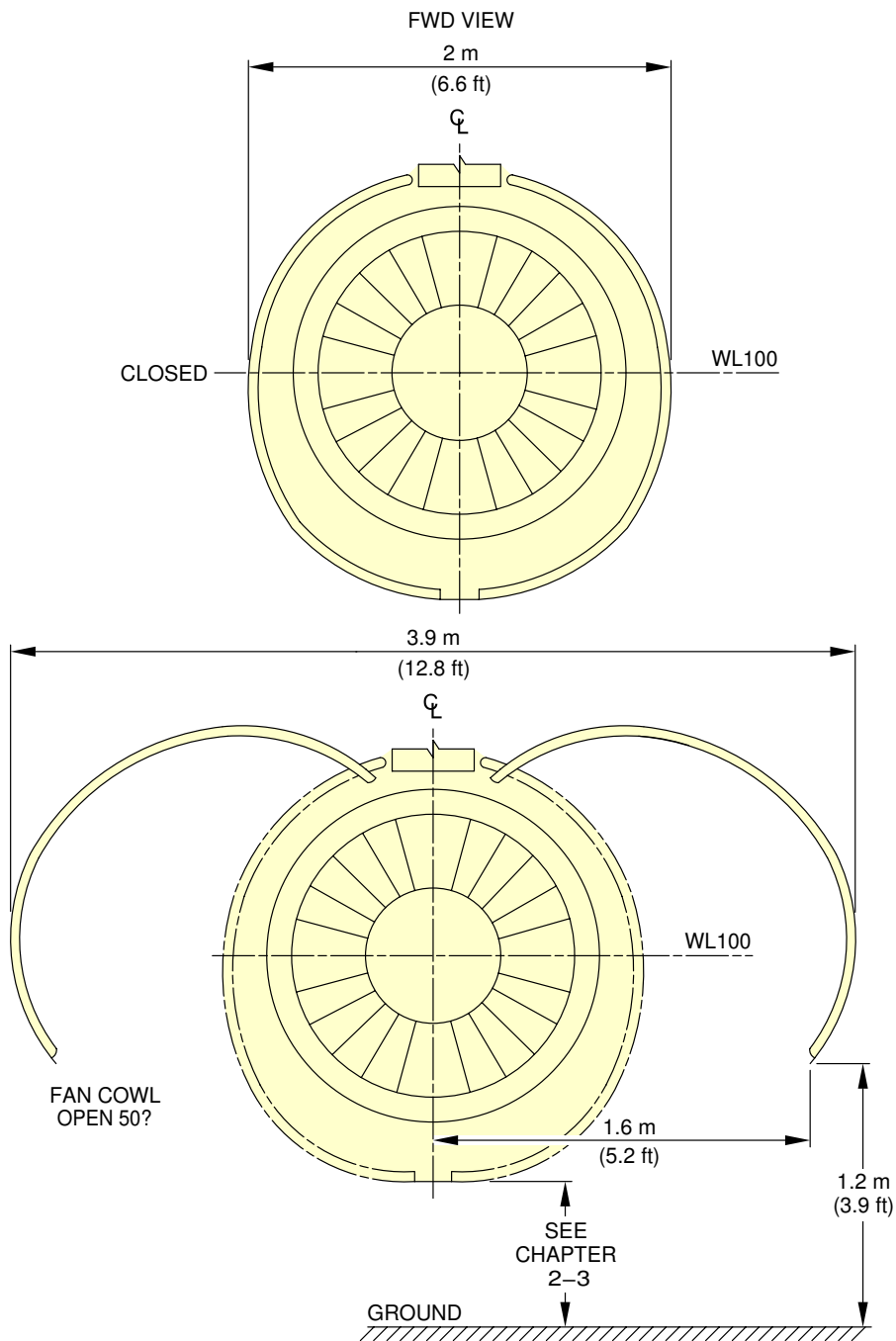
	W		U		V		PPS		AT COMPONENT
	m	ft	m	ft	m	ft	m	ft	
A-A	2.01	6.58	0.99	3.25	1.10	3.63	1.41	4.62	INLET ATTACH FLG
B-B	2.01	6.58	1.00	3.29	1.11	3.64	2.59	8.50	TORQUE BOX "V" BLADE
C-C	1.98	6.50	0.97	3.19	1.07	3.52	3.26	10.70	COMB. CHAMBER ENTRY FLG
D-D	1.93	6.32	0.93	3.06	1.03	3.39	3.63	11.90	COMB. CHAMBER EXIT FLG
E-E	1.64	5.38	0.78	2.57	0.86	2.83	4.60	15.10	TCH FLG TURB. EXIT CASE
F-F	1.24	4.07	0.60	1.96	0.64	2.11	---	---	AFT END CNA

NOTE: ALL SIZES GIVEN ON THIS ILLUSTRATION ARE APPROXIMATE

N_AC_021200_1_0400101_01_00

Power Plant Handling
Major Dimensions - IAE V2500 Series Engine
FIGURE-2-12-0-991-040-A01

****ON A/C A321-100 A321-200**

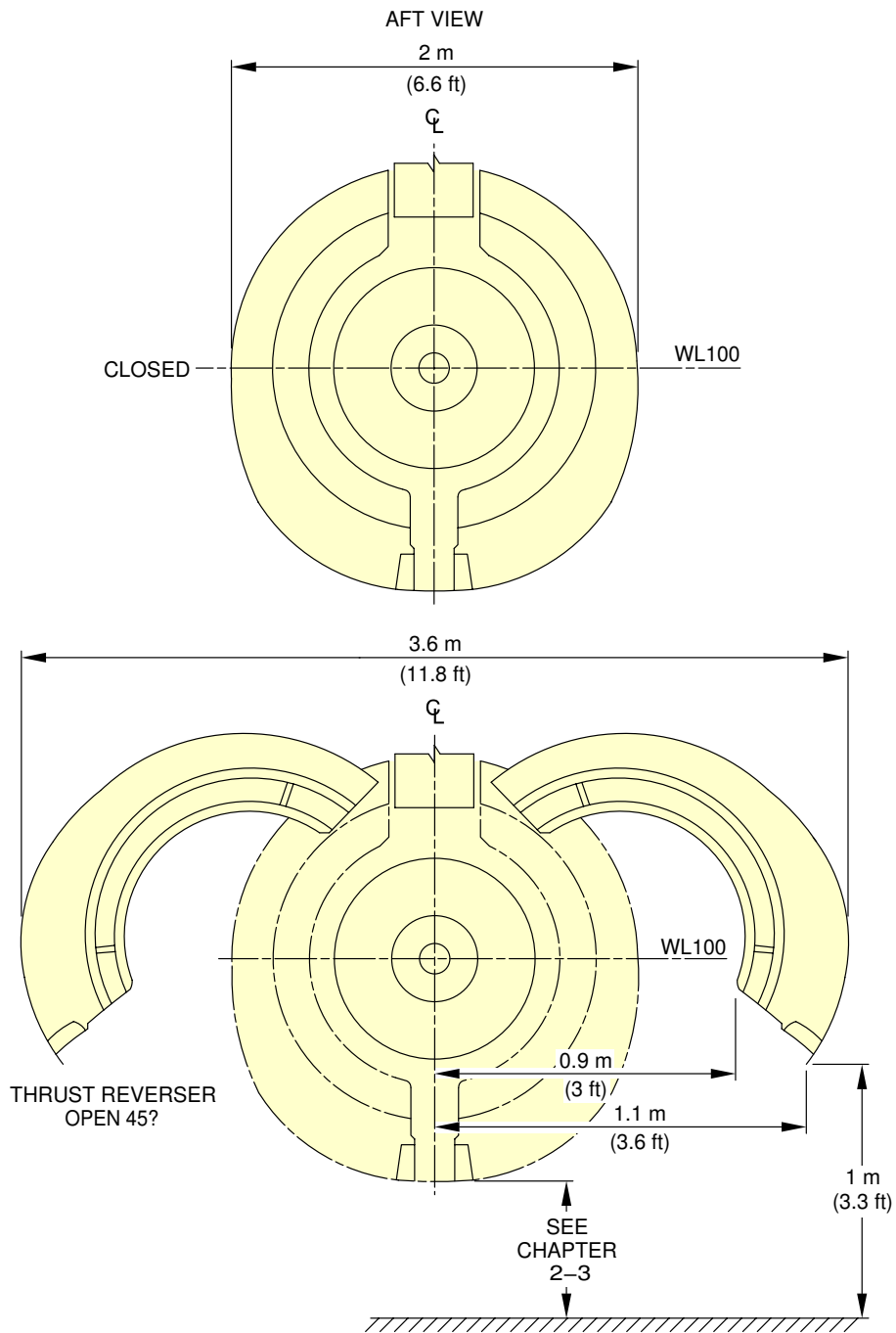


NOTE: APPROXIMATE DIMENSIONS.

N_AC_021200_1_0410101_01_01

Power Plant Handling
Fan Cowls - IAE V2500 Series Engine
FIGURE-2-12-0-991-041-A01

**ON A/C A321-100 A321-200

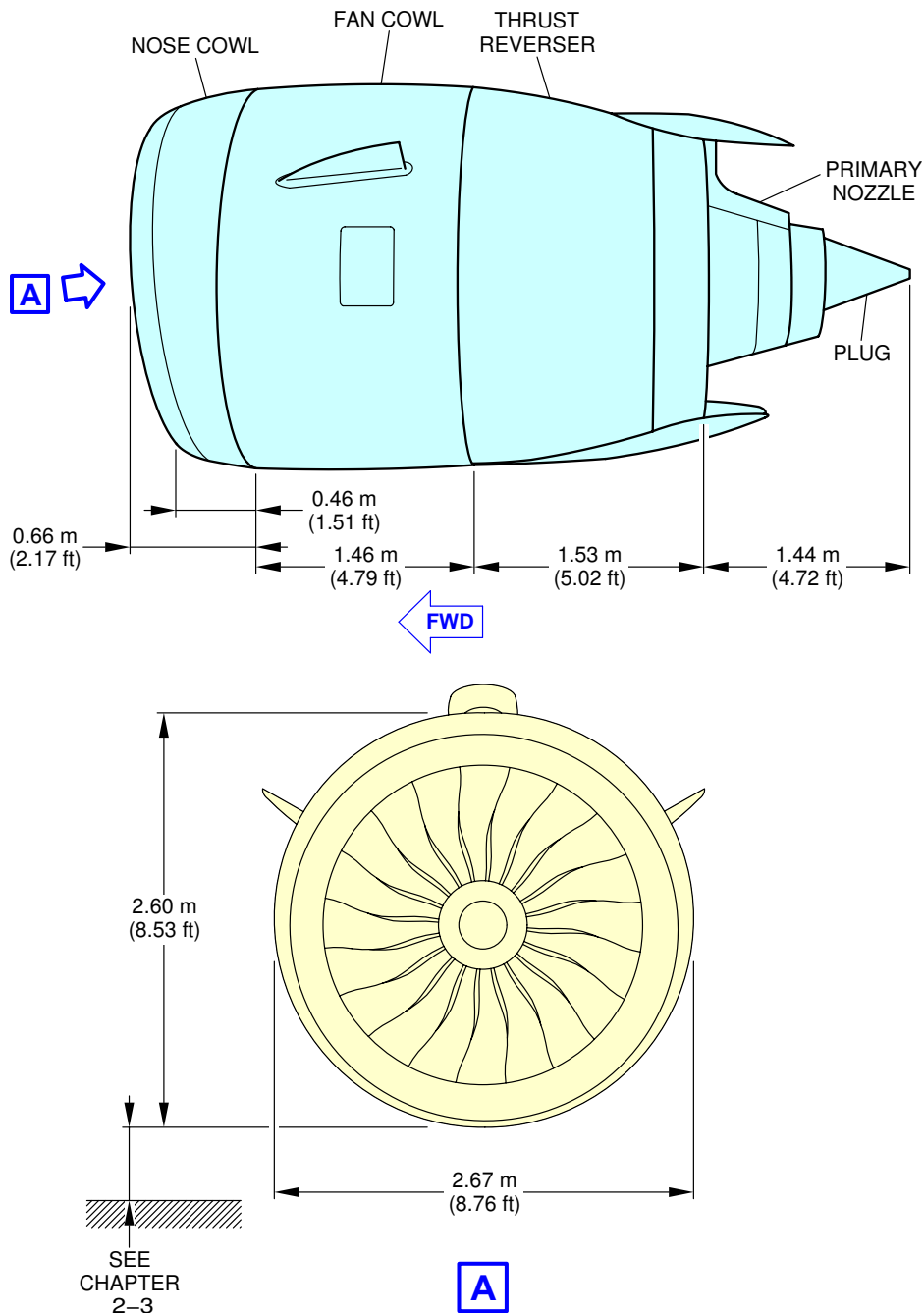


NOTE: APPROXIMATE DIMENSIONS.

N_AC_021200_1_0420101_01_01

Power Plant Handling
 Thrust Reverser Halves - IAE V2500 Series Engine
 FIGURE-2-12-0-991-042-A01

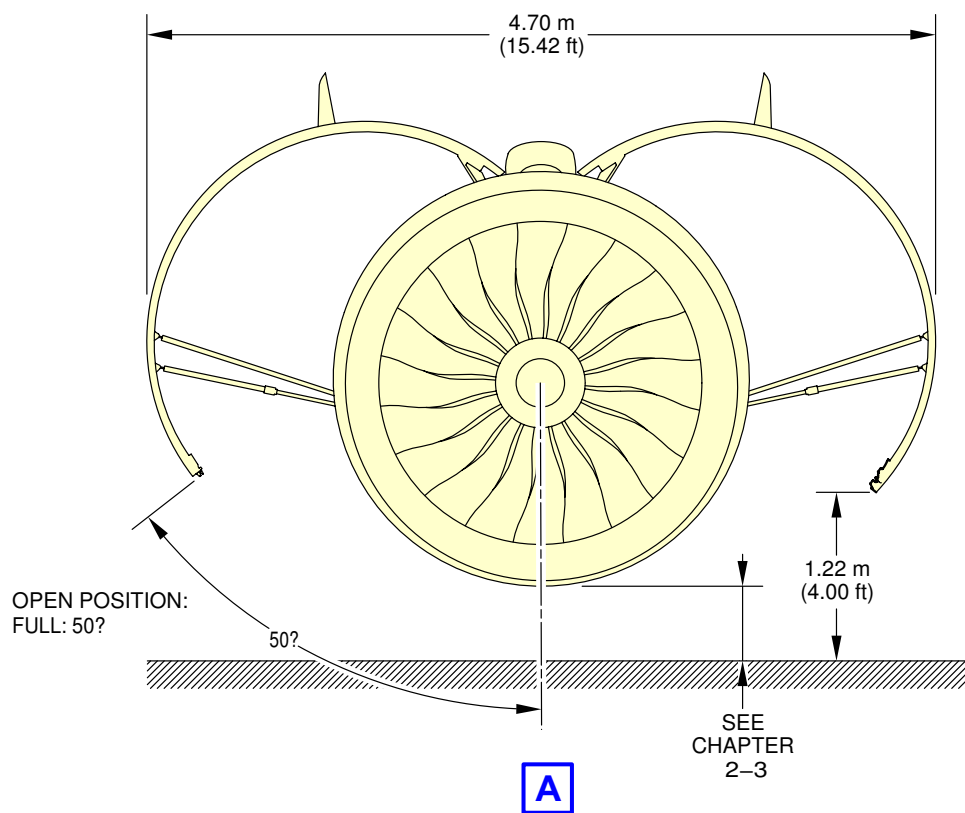
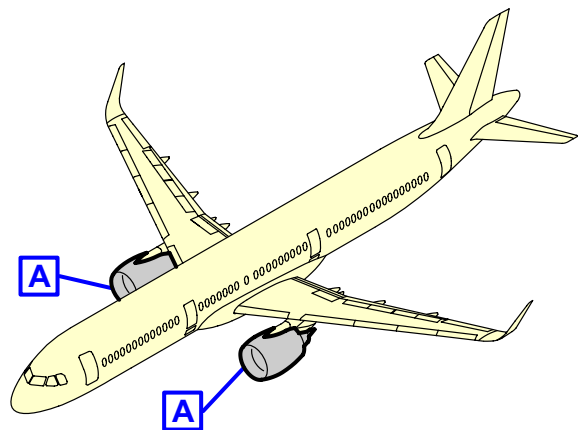
**ON A/C A321neo



N_AC_021200_1_0490101_01_01

Power Plant Handling
Major Dimensions - PW 1100G Engine
FIGURE-2-12-0-991-049-A01

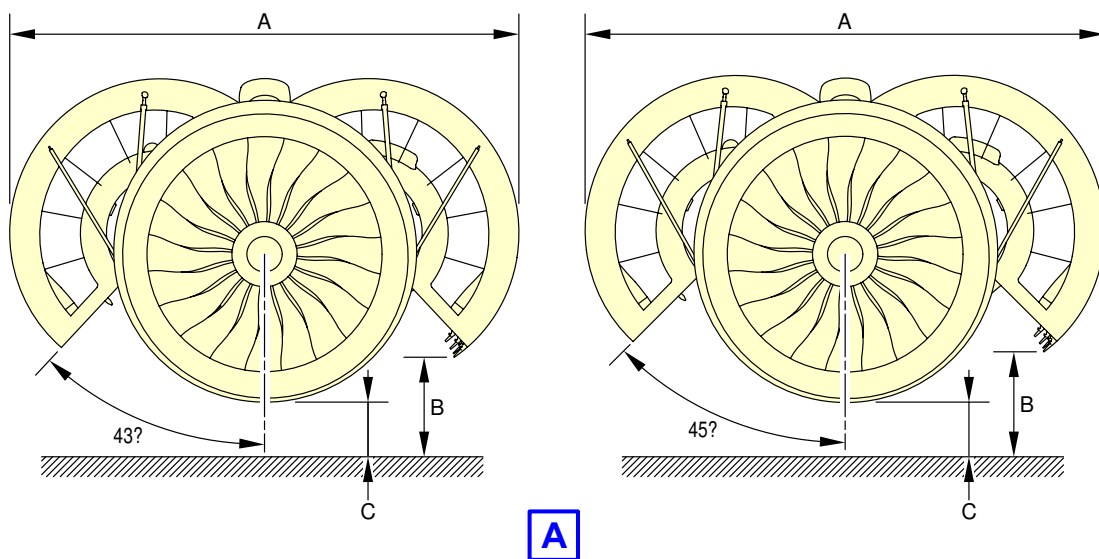
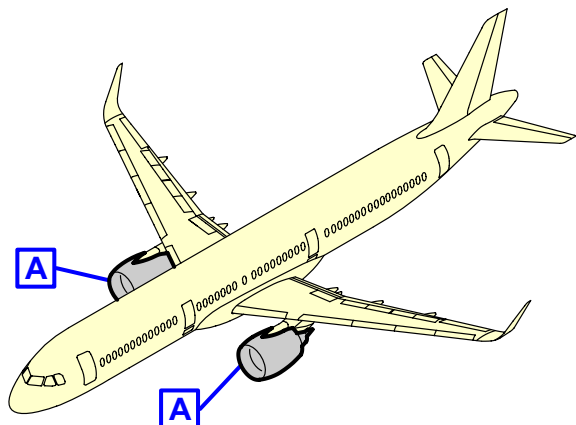
**ON A/C A321neo



N_AC_021200_1_0500101_01_02

Power Plant Handling
Fan Cowls - PW 1100G Engine
FIGURE-2-12-0-991-050-A01

**ON A/C A321neo



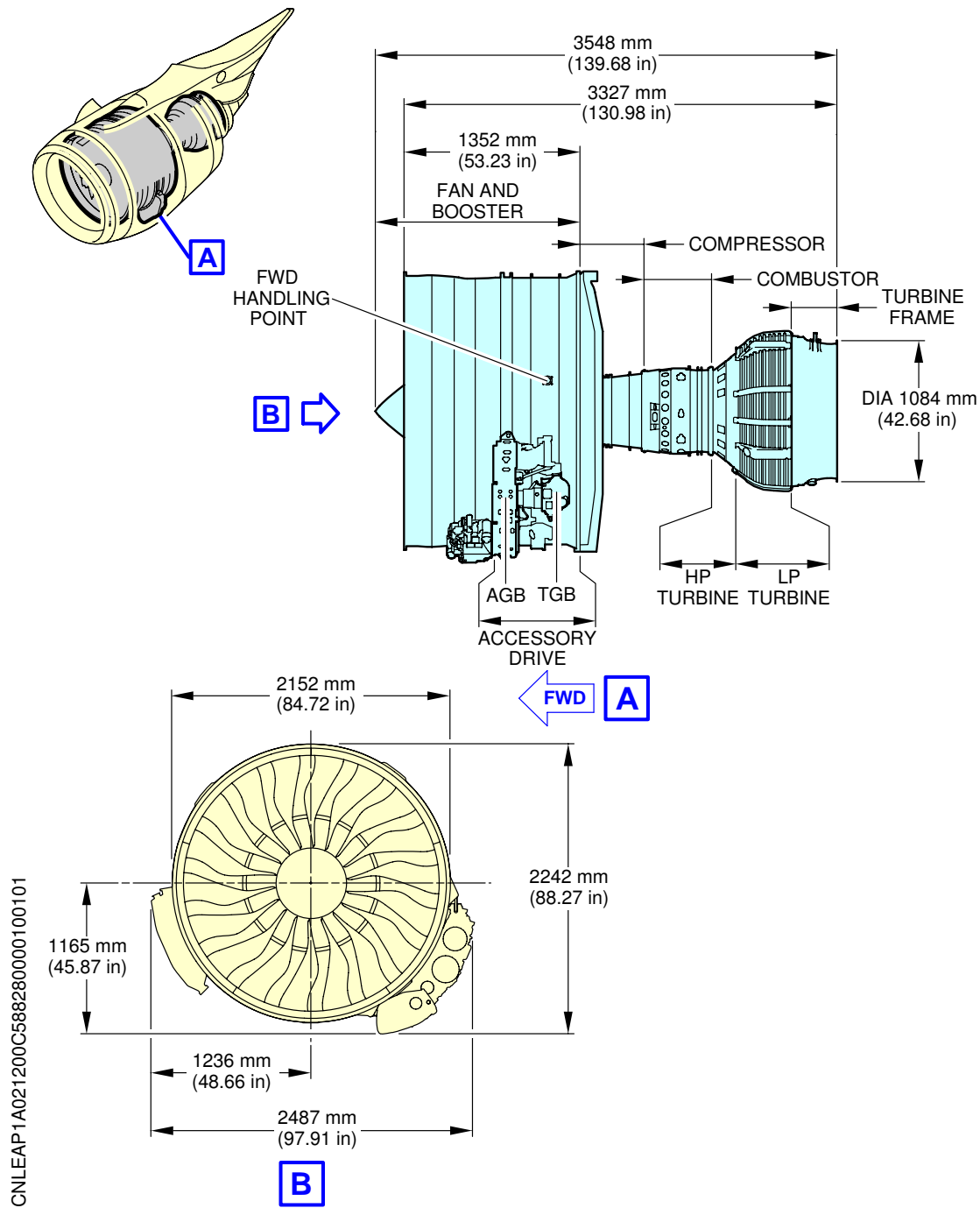
OPEN POSITION	A	B		C
		MIN.	MAX.	
43?	4.26 m (13.98 ft)	0.80 m (2.62 ft)	0.90 m (2.95 ft)	SEE AC SECTION 2-3-0
45?	4.33 m (14.21 ft)	0.84 m (2.76 ft)	0.95 m (3.12 ft)	

NOTE:
B AND C DEPENDING ON AIRCRAFT CONFIGURATION.

N_AC_021200_1_0510101_01_01

Power Plant Handling
Thrust Reverser Halves - PW 1100G Engine
FIGURE-2-12-0-991-051-A01

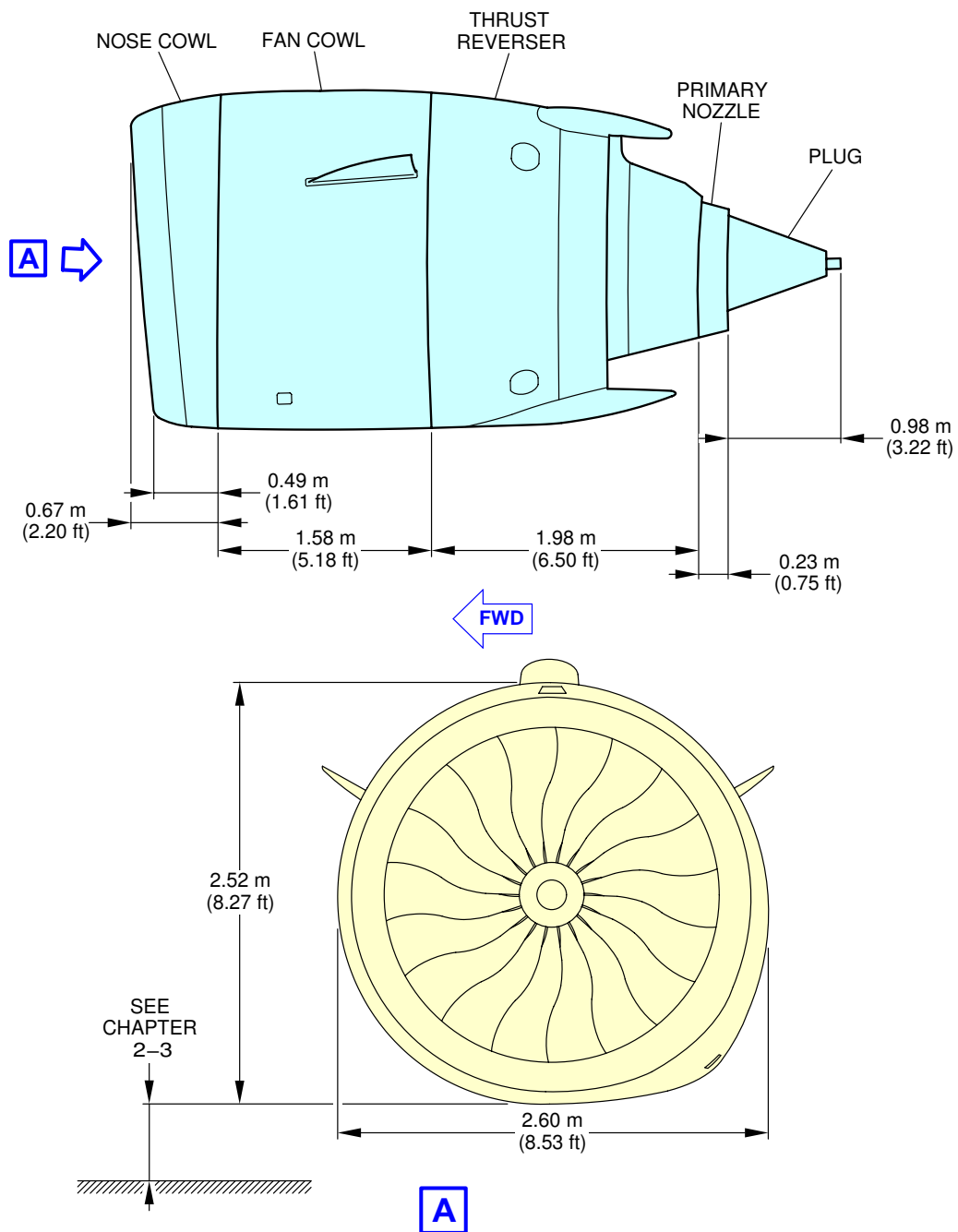
**ON A/C A321neo



N_AC_021200_1_0560101_01_00

Power Plant Handling
Major Dimensions - CFM LEAP-1A Engine
FIGURE-2-12-0-991-056-A01

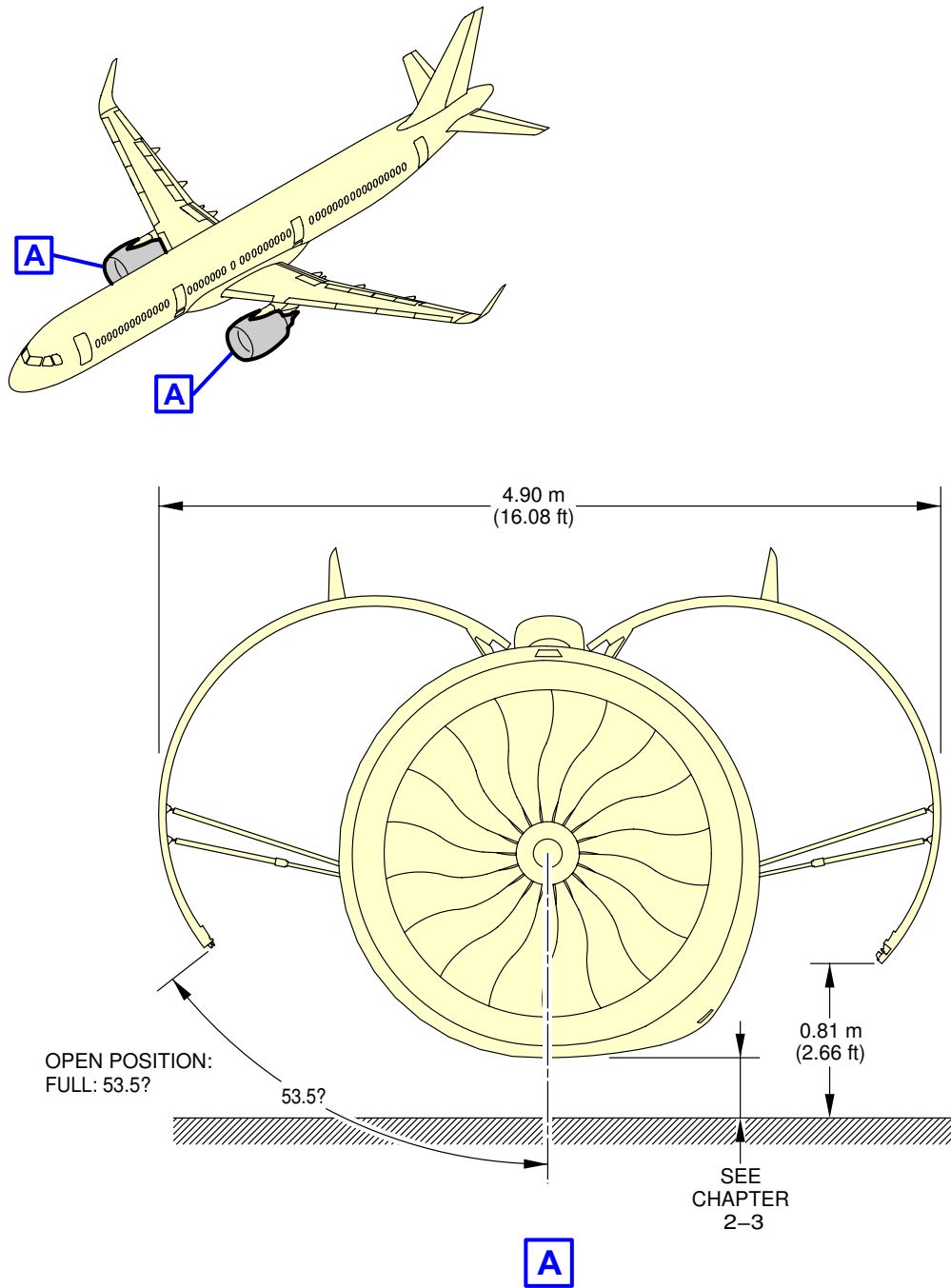
**ON A/C A321neo



N_AC_021200_1_0570101_01_01

Power Plant Handling
Major Dimensions - CFM LEAP-1A Engine
FIGURE-2-12-0-991-057-A01

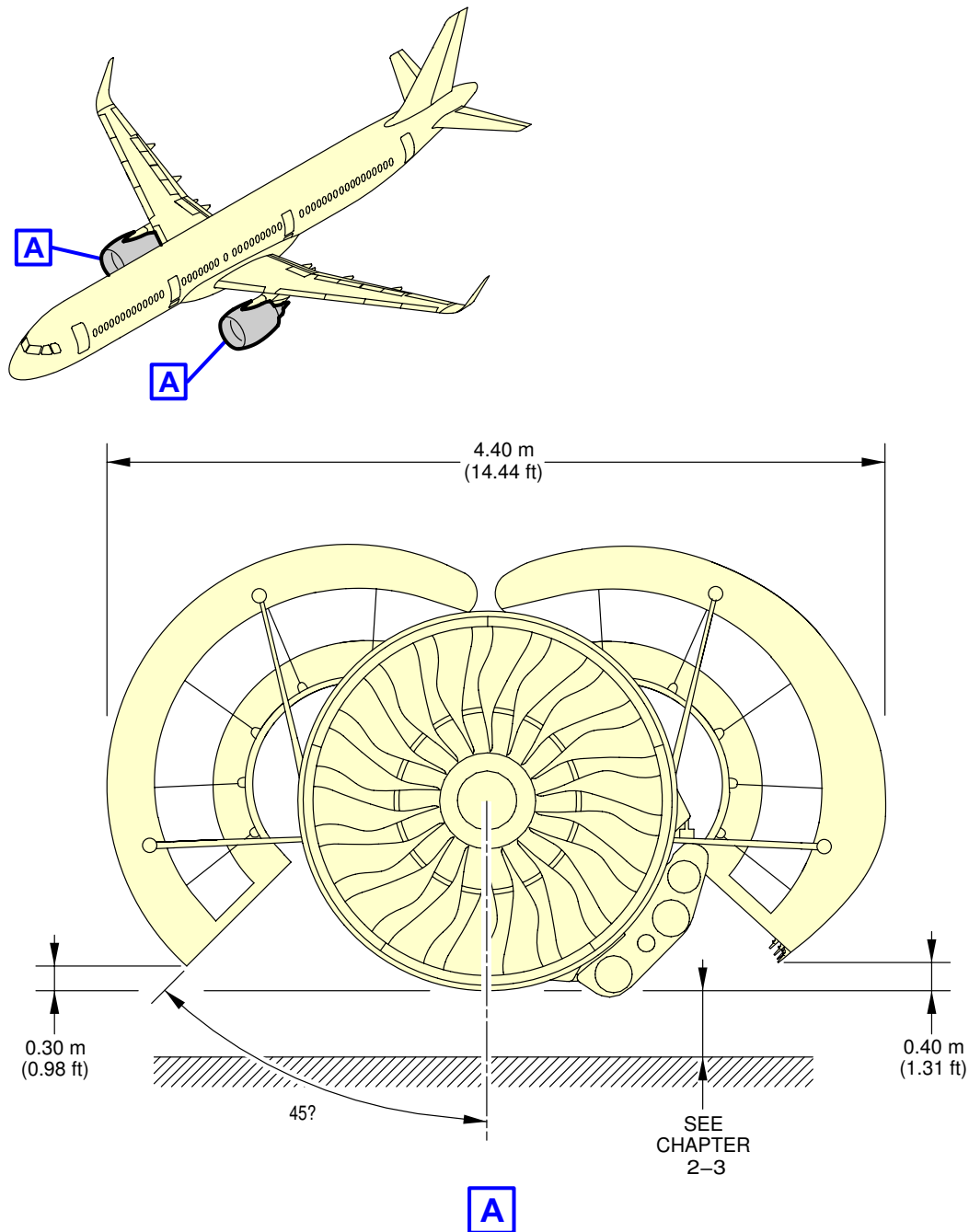
**ON A/C A321-100 A321-200 A321neo



N_AC_021200_1_0580101_01_00

Power Plant Handling
Fan Cowls - CFM LEAP-1A Engine
FIGURE-2-12-0-991-058-A01

**ON A/C A321-100 A321-200 A321neo



N_AC_021200_1_0590101_01_00

Power Plant Handling
Thrust Reverser Halves - CFM LEAP-1A Engine
FIGURE-2-12-0-991-059-A01

2-13-0 Leveling, Symmetry and Alignment****ON A/C A321-100 A321-200 A321neo**Leveling, Symmetry and Alignment

1. Quick Leveling

There are three alternative procedures to level the aircraft:

- Quick leveling procedure with Air Data/Inertial Reference Unit (ADIRU).
- Quick leveling procedure with a spirit level in the passenger compartment.
- Quick leveling procedure with a spirit level in the FWD cargo compartment.

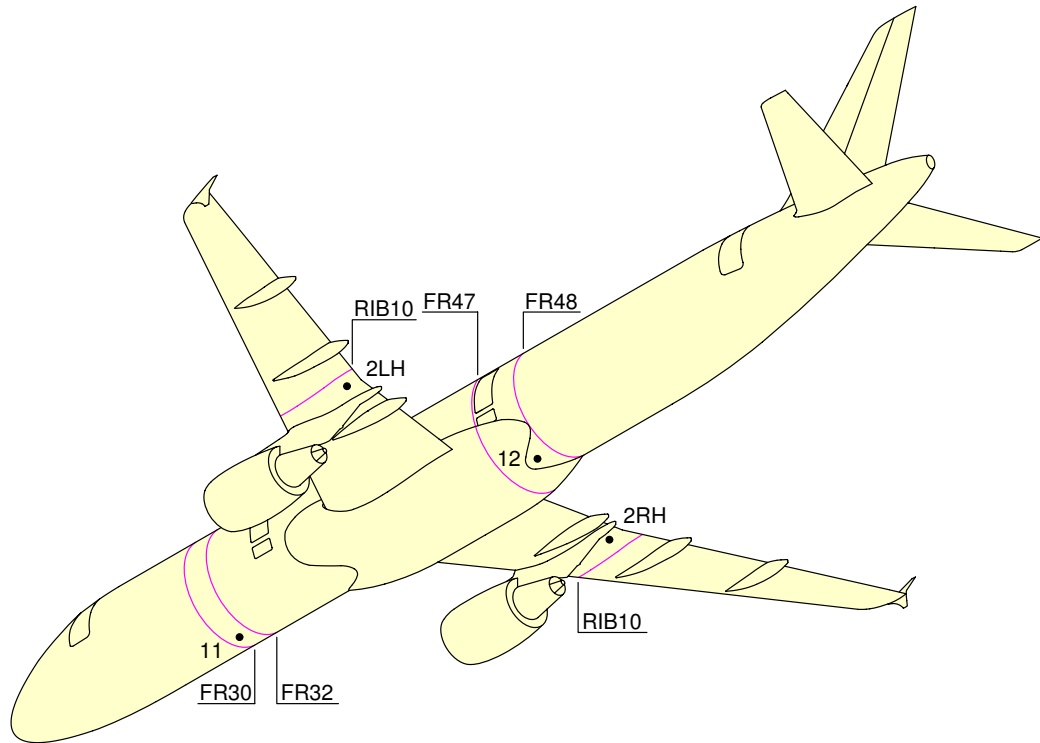
2. Precise Leveling

For precise leveling, it is necessary to install sighting rods in the receptacles located under the fuselage (points 11 and 12 for longitudinal leveling) and under the wings (points 2LH and 2RH for lateral leveling) and use a sighting tube. With the aircraft on jacks, adjust the jacks until the reference marks on the sighting rods are aligned in the sighting plane (aircraft level).

3. Symmetry and Alignment Check

Possible deformation of the aircraft is measured by photogrammetry.

**ON A/C A321-100 A321-200 A321neo



N_AC_021300_1_0050101_01_00

Location of the Leveling Points
FIGURE-2-13-0-991-005-A01

2-14-0 Jacking

****ON A/C A321-100 A321-200 A321neo**

Jacking for Maintenance

1. Aircraft Jacking Points for Maintenance

A. General

- (1) The A321 can be jacked:
 - At not more than 69 000 kg (152 119 lb),
 - Within the limits of the permissible wind speed when the aircraft is not in a closed environment.

B. Primary Jacking Points

- (1) The aircraft is provided with three primary jacking points:
 - One located under the forward fuselage (FR8),
 - Two located under the wings (one under each wing, located at the intersection of RIB9 and the datum of the rear spar).
- (2) Three jack adapters are used as intermediary parts between the aircraft and the jacks:
 - One male spherical jack adapter of 19 mm (0.75 in) radius, forming part of the aircraft structure (FR8),
 - Two wing jack pads (one attached to each wing at RIB9 with 2 bolts) for the location of the jack adaptor.

Wing jack pads are ground equipment.

C. Auxiliary Jacking Points (Safety Stay)

- (1) When the aircraft is on jacks, it is recommended that a safety stay be placed under the fuselage, between FR73 and FR74, to prevent tail tipping caused by accidental displacement of the center of gravity.
- (2) The safety stay must not be used to lift the aircraft.
- (3) A male spherical ball pad with a 19 mm (0.75 in) radius, forming part of the aircraft structure, is provided for using the safety stay.

2. Jacks and Safety Stay

A. Jack Design

- (1) The maximum permitted loads given in the table in FIGURE 2-14-0-991-038-A are the maximum loads applicable on jack fittings.
- (2) In the fully retracted position (jack stroke at minimum), the height of the jack is such that the jack may be placed beneath the aircraft in the most adverse conditions, namely, tires deflated and shock absorbers depressurized. In addition, there must be a clearance of approximately 50 mm (1.97 in) between the aircraft jacking point and the jack upper end.

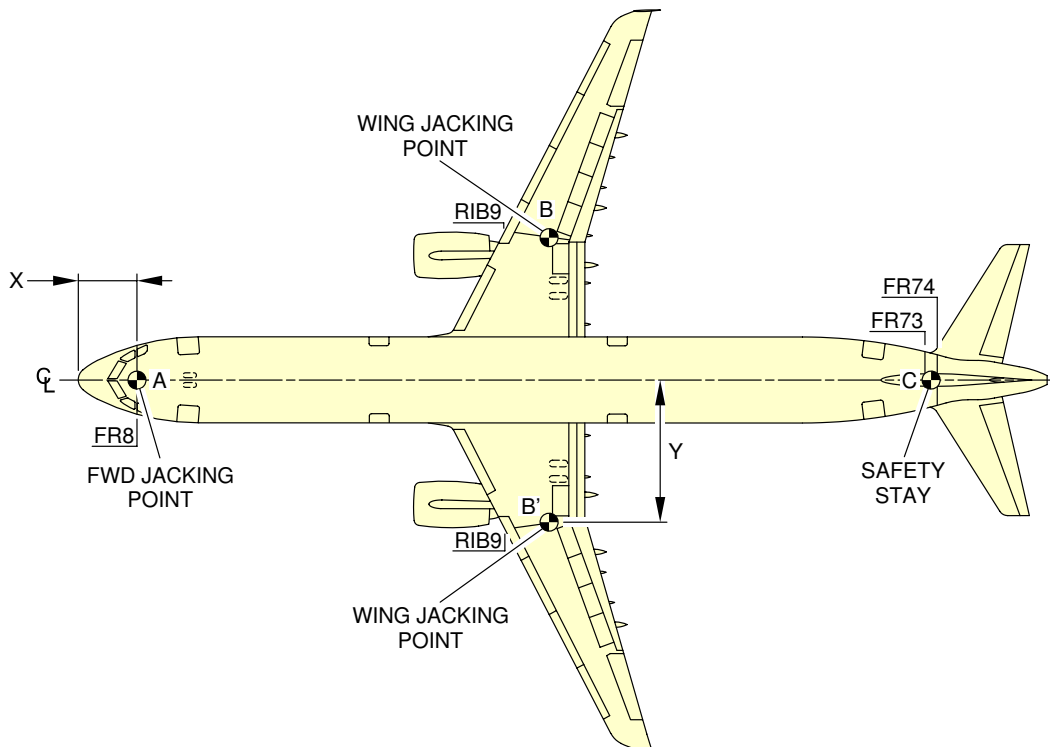
- (3) The lifting jack stroke enables the aircraft to be jacked up so that the fuselage longitudinal datum line (aircraft center line) is parallel to the ground, with a clearance of 100 mm (3.94 in) between the main landing gear wheels and the ground. This enables the landing gear extension/retraction tests to be performed.

3. Shoring Cradles

When it is necessary to support the aircraft in order to relieve the loads on the structure to do modifications or major work, shoring cradles shall be placed under each wing and the fuselage as necessary.

NOTE : The aircraft must not be lifted or supported by the wings or fuselage alone without adequate support of the other.

****ON A/C A321-100 A321-200 A321neo**



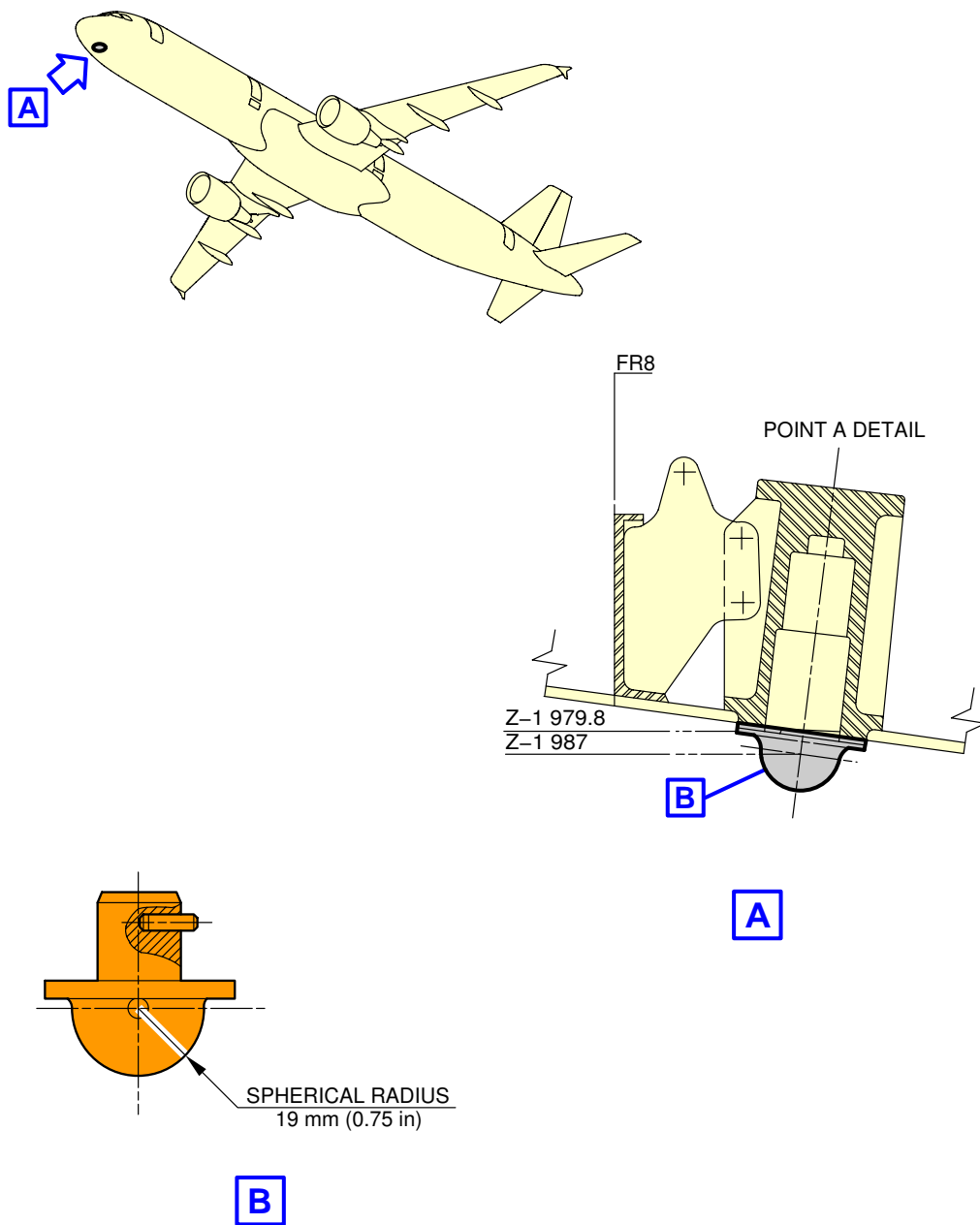
		X		Y		MAXIMUM LOAD ELIGIBLE daN
		m	ft	m	ft	
FORWARD FUSELAGE JACKING POINT	A	2.74	8.99	0	0	6 800
WING JACKING POINT	B	21.83	71.62	6.50	21.33	33 400
	B'	21.83	71.62	-6.50	-21.33	33 400
SAFETY STAY	C	39.5	129.59	0	0	2 000

NOTE:
SAFETY STAY IS NOT USED FOR JACKING.

N_AC_021400_1_0380101_01_02

Jacking for Maintenance
Jacking Point Locations
FIGURE-2-14-0-991-038-A01

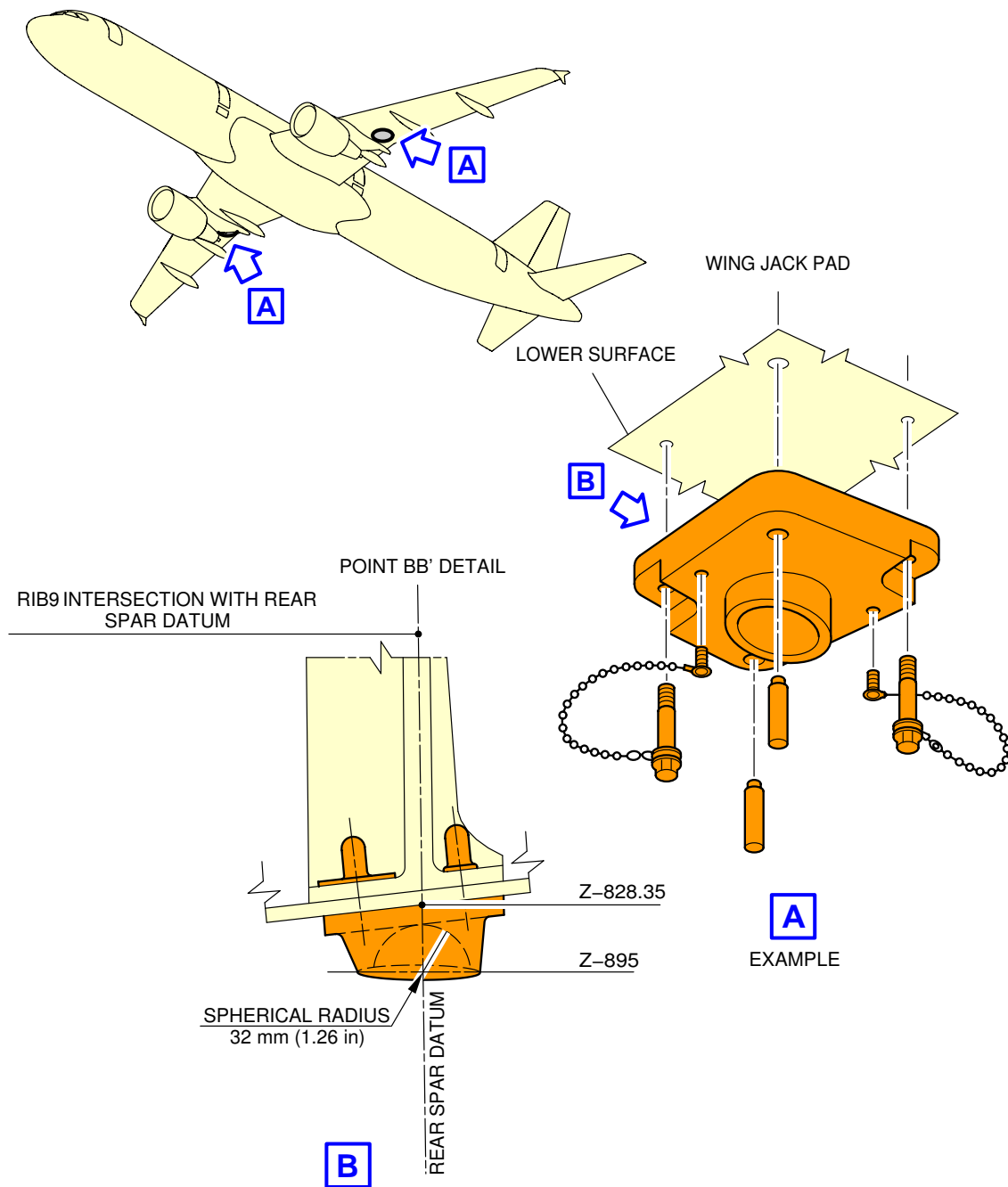
**ON A/C A321-100 A321-200 A321neo



N_AC_021400_1_0390101_01_00

Jacking for Maintenance
Forward Jacking Point
FIGURE-2-14-0-991-039-A01

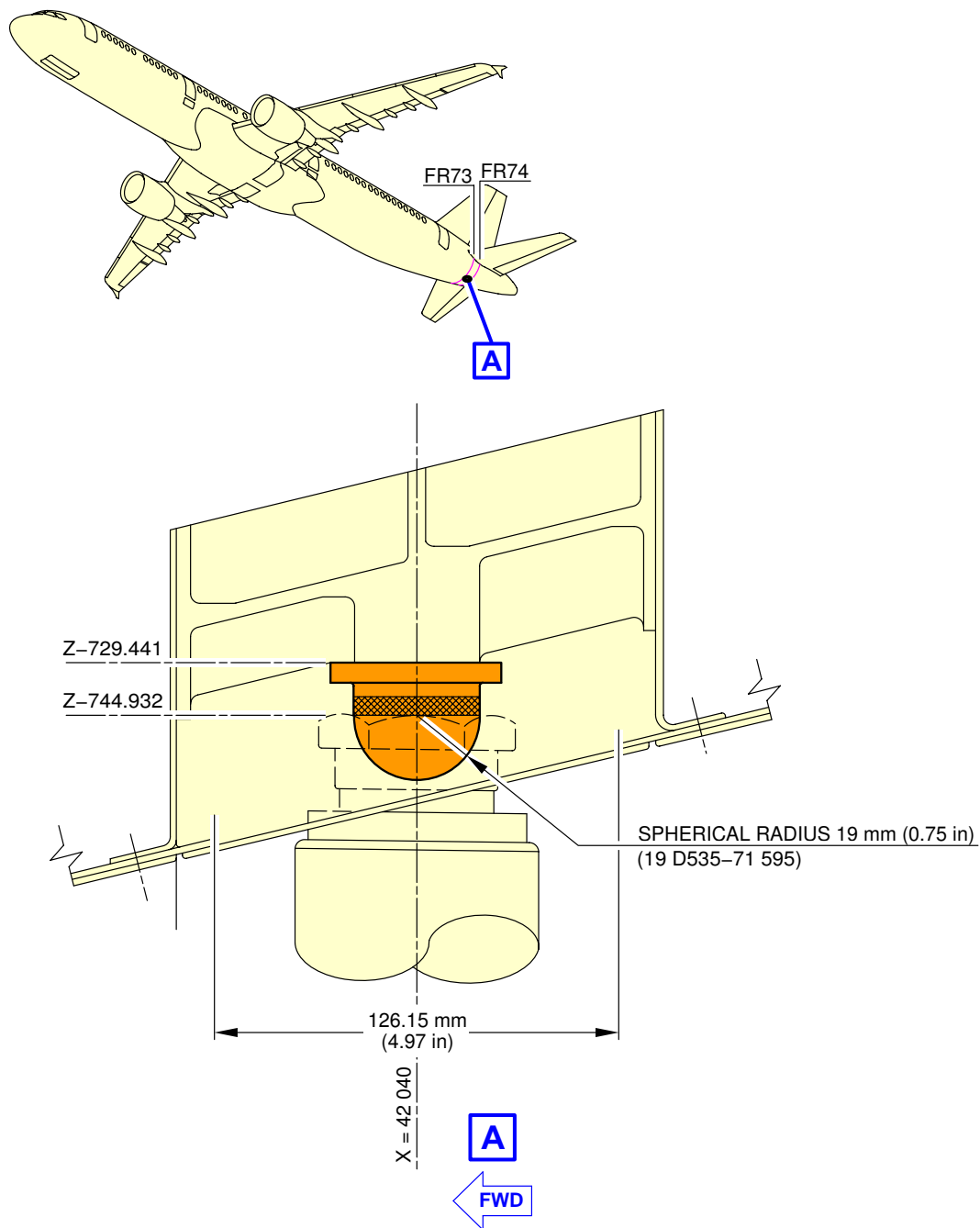
**ON A/C A321-100 A321-200 A321neo



N_AC_021400_1_0400101_01_00

Jacking for Maintenance
Wing Jacking Points
FIGURE-2-14-0-991-040-A01

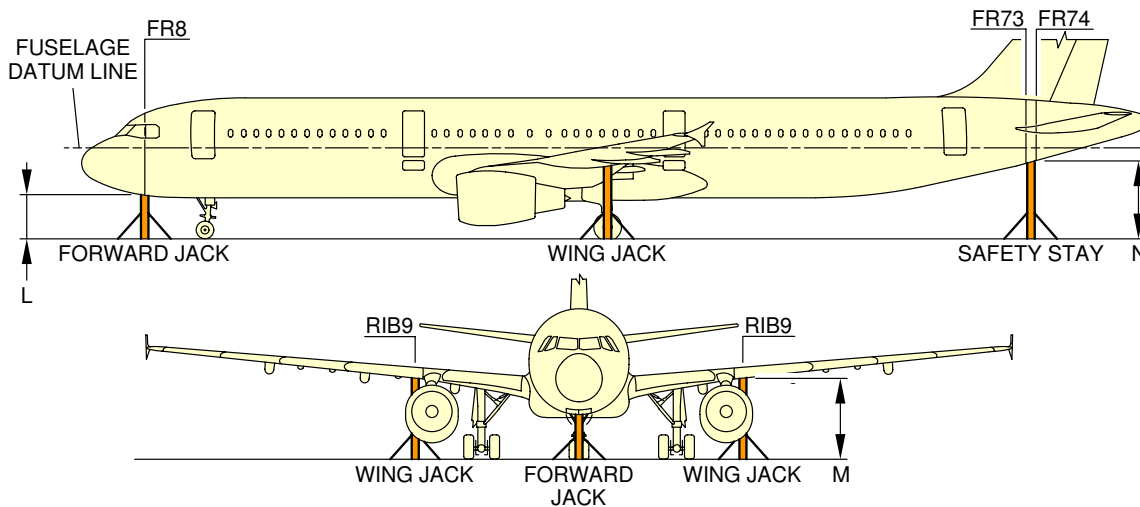
**ON A/C A321-100 A321-200 A321neo



N_AC_021400_1_0410101_01_01

Jacking for Maintenance
Safety Stay
FIGURE-2-14-0-991-041-A01

****ON A/C A321-100 A321-200 A321neo**



TYPICAL JACK INSTALLATION SHOWN

CONFIGURATION	DESCRIPTION	DISTANCE BETWEEN JACKING/SAFETY POINTS AND THE GROUND		
		L (FORWARD JACK)	M (WING JACK)	N (SAFETY STAY)
-AIRCRAFT ON WHEELS	- NLG SHOCK ABSORBER DEFLATED AND NLG TIRES FLAT - MLG STANDARD TIRES, WITH STANDARD SHOCK ABSORBERS	1 603 mm (63.11 in)	3 124 mm (122.99 in)	3 635 mm (143.11 in)
	TIRES FLAT SHOCK ABSORBERS DEFLATED	1 654 mm (65.12 in)	2 761 mm (108.70 in)	2 889 mm (113.74 in)
	STANDARD TIRES STANDARD SHOCK ABSORBERS	1 924 mm (75.75 in)	3 125 mm (123.03 in)	3 341 mm (131.54 in)
-AIRCRAFT ON JACKS (FORWARD JACK AND WING JACKS) -FUSELAGE DATUM LINE PARALLEL TO THE GROUND	STANDARD TIRES MLG SHOCK ABSORBERS EXTENDED WITH WHEEL CLEARANCE OF 120 mm (4.72 in) FOR MLG RETRACTION OR EXTENSION	2 605 mm (102.56 in)	3 706 mm (145.91 in)	3 830 mm (150.79 in)
	STANDARD TIRES MLG SHOCK ABSORBERS EXTENDED WITH WHEEL CLEARANCE OF 770 mm (30.31 in) FOR REPLACEMENT OF THE MLG	3 255 mm (128.15 in)	4 356 mm (171.50 in)	4 480 mm (176.38 in)
-AIRCRAFT ON FORWARD JACK -MLG WHEELS ON THE GROUND	STANDARD TIRES NLG SHOCK ABSORBERS EXTENDED WITH WHEEL CLEARANCE OF 60 mm (2.36 in) FOR NLG RETRACTION OR EXTENSION	2 371 mm (93.35 in)	NA	2 930 mm (115.35 in)

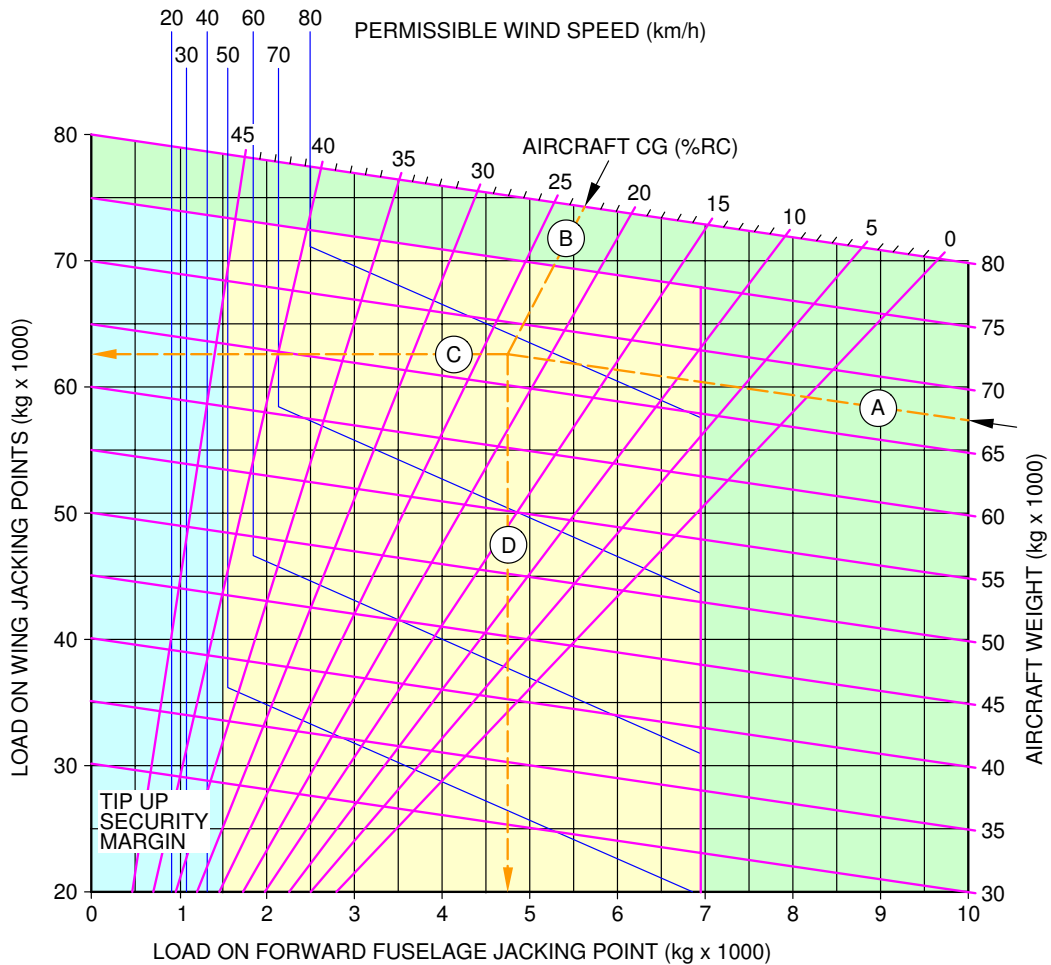
NOTE:

THE SAFETY STAY IS NOT USED FOR JACKING.

N_AC_021400_1_0420101_01_02

Jacking for Maintenance
Jacking Design
FIGURE-2-14-0-991-042-A01

****ON A/C A321-100 A321-200 A321neo**

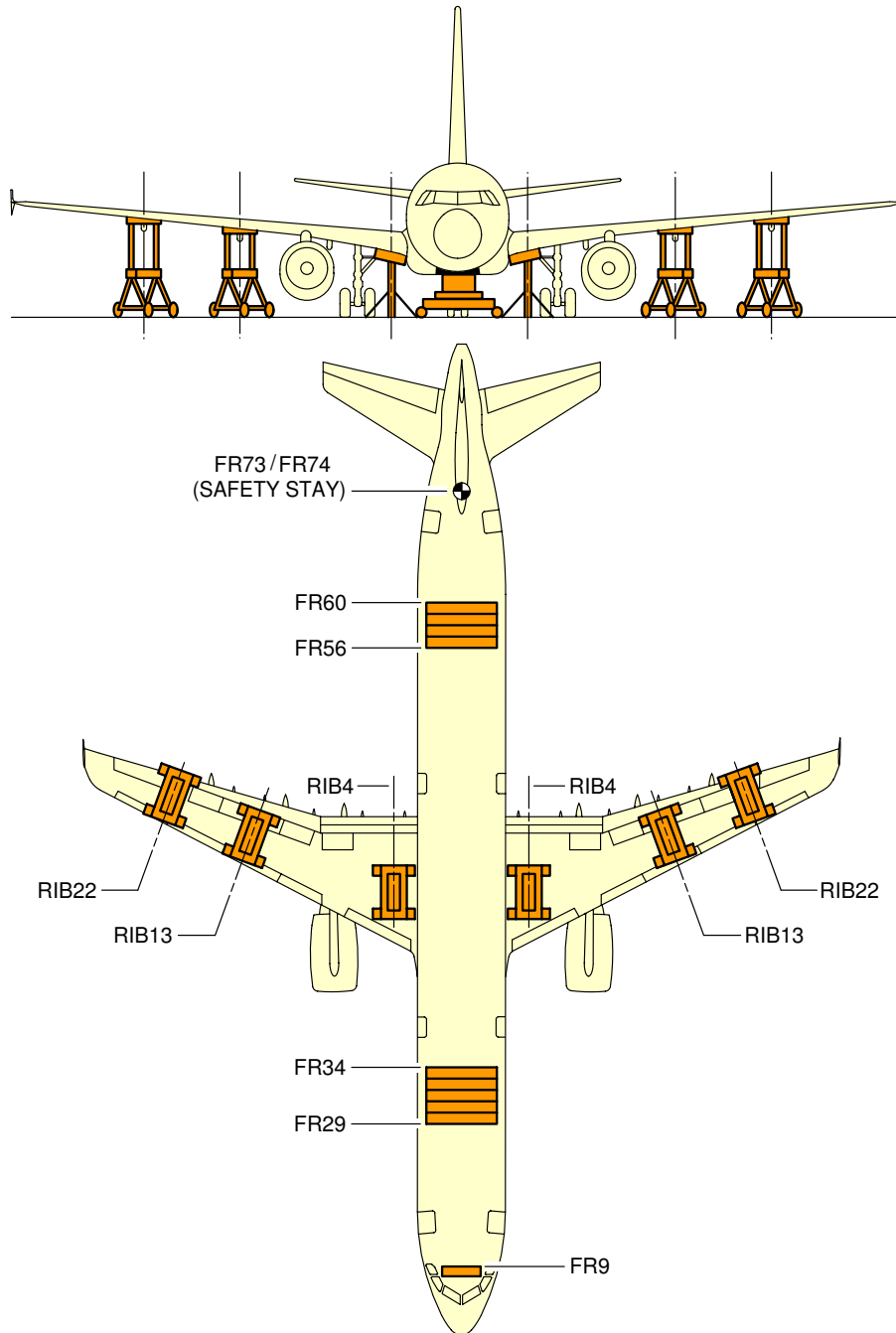


EXAMPLE: ASSUME AIRCRAFT WITH GROSS WEIGHT OF 67 500 kg (A) AND CENTER OF GRAVITY AT 23 % RC (B) . THE REACTION AT THE WING JACKING POINTS IS 62 750 kg (31 375 kg PER SIDE) (C) AND THE REACTION AT THE FORWARD FUSELAGE JACKING POINT IS 4 750 kg (D) . IF THE AIRCRAFT MUST BE LIFTED OUTSIDE THE WIND SPEED MUST NOT BE IN EXCESS OF 70 km/h.

N_AC_021400_1_0430101_01_00

Loads at the Aircraft Jacking Points
 Wing Jacking Point and Forward Fuselage Jacking Point
 FIGURE-2-14-0-991-043-A01

**ON A/C A321-100 A321-200 A321neo



NOTE: THE SHORING CRADLE MUST BE INSTALLED AT THE EXACT LOCATION OF THE FRAME.

N_AC_021400_1_0440101_01_00

Jacking for Maintenance
 Location of Shoring Cradles
 FIGURE-2-14-0-991-044-A01

****ON A/C A321-100 A321-200 A321neo**Jacking of the Landing Gear

1. General

Landing gear jacking will be required to lift the landing gear wheels off the ground.

NOTE : You can lift the aircraft at Maximum Ramp Weight (MRW).

NOTE : The load at each jacking position is the load required to give a 25.4 mm (1 in) clearance between the ground and the tire.

****ON A/C A321-100 A321-200**

2. Main Gear Jacking

The main gears are normally jacked up by placing a jack directly under the ball pad.

The ball spherical radius is 19 mm (0.75 in).

It is also possible to jack the main gear using a cantilever jack.

The reactions at each of the jacking points are shown in the table, see FIGURE 2-14-0-991-061-A.

****ON A/C A321neo**

3. Main Gear Jacking

The main gears are normally jacked up by placing a jack directly under the ball pad.

The ball spherical radius is 19 mm (0.75 in).

It is also possible to jack the main gear using a cantilever jack.

The reactions at each of the jacking points are shown in the table, see FIGURE 2-14-0-991-064-A.

****ON A/C A321-100 A321-200**

4. Nose Gear Jacking

For nose gear jacking, a 19 mm (0.75 in) radius ball pad is fitted under the lower end of the shock-absorber sliding tube. Jacking can be accomplished either by placing a jack directly under the ball pad, or using an adapter fitting provided with an identical ball pad.

The reactions at each of the jacking points are shown in the table, see FIGURE 2-14-0-991-061-A.

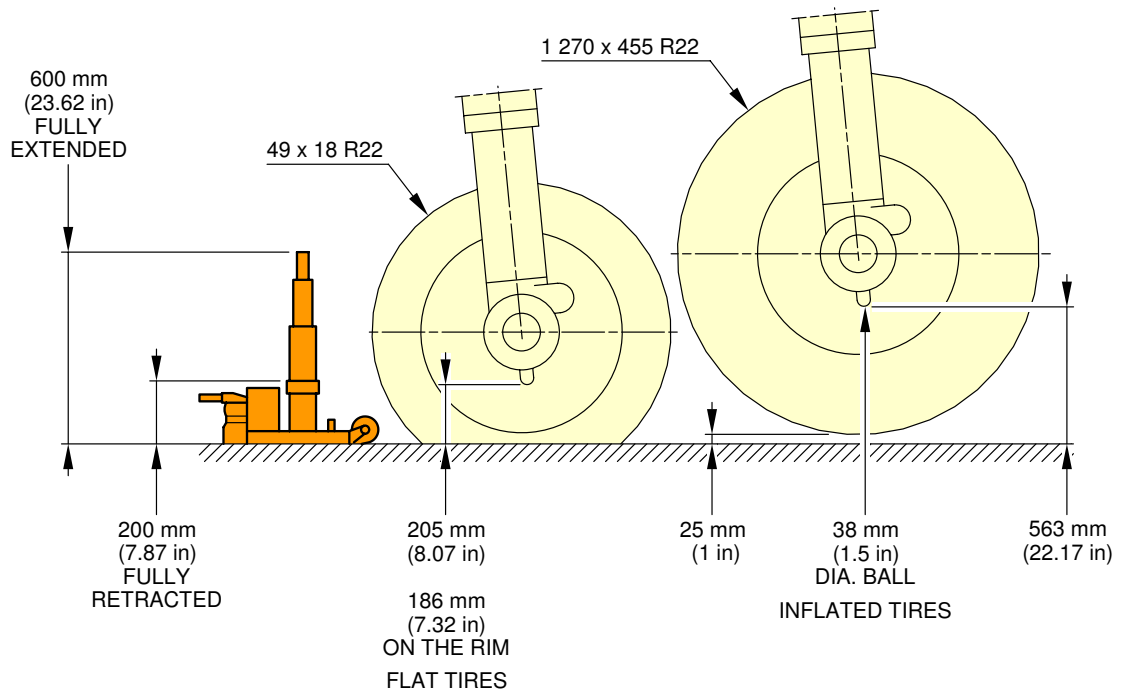
****ON A/C A321neo**

5. Nose Gear Jacking

For nose gear jacking, a 19 mm (0.75 in) radius ball pad is fitted under the lower end of the shock-absorber sliding tube. Jacking can be accomplished either by placing a jack directly under the ball pad, or using an adapter fitting provided with an identical ball pad.

The reactions at each of the jacking points are shown in the table, see FIGURE 2-14-0-991-064-A.

**ON A/C A321-100 A321-200 A321neo

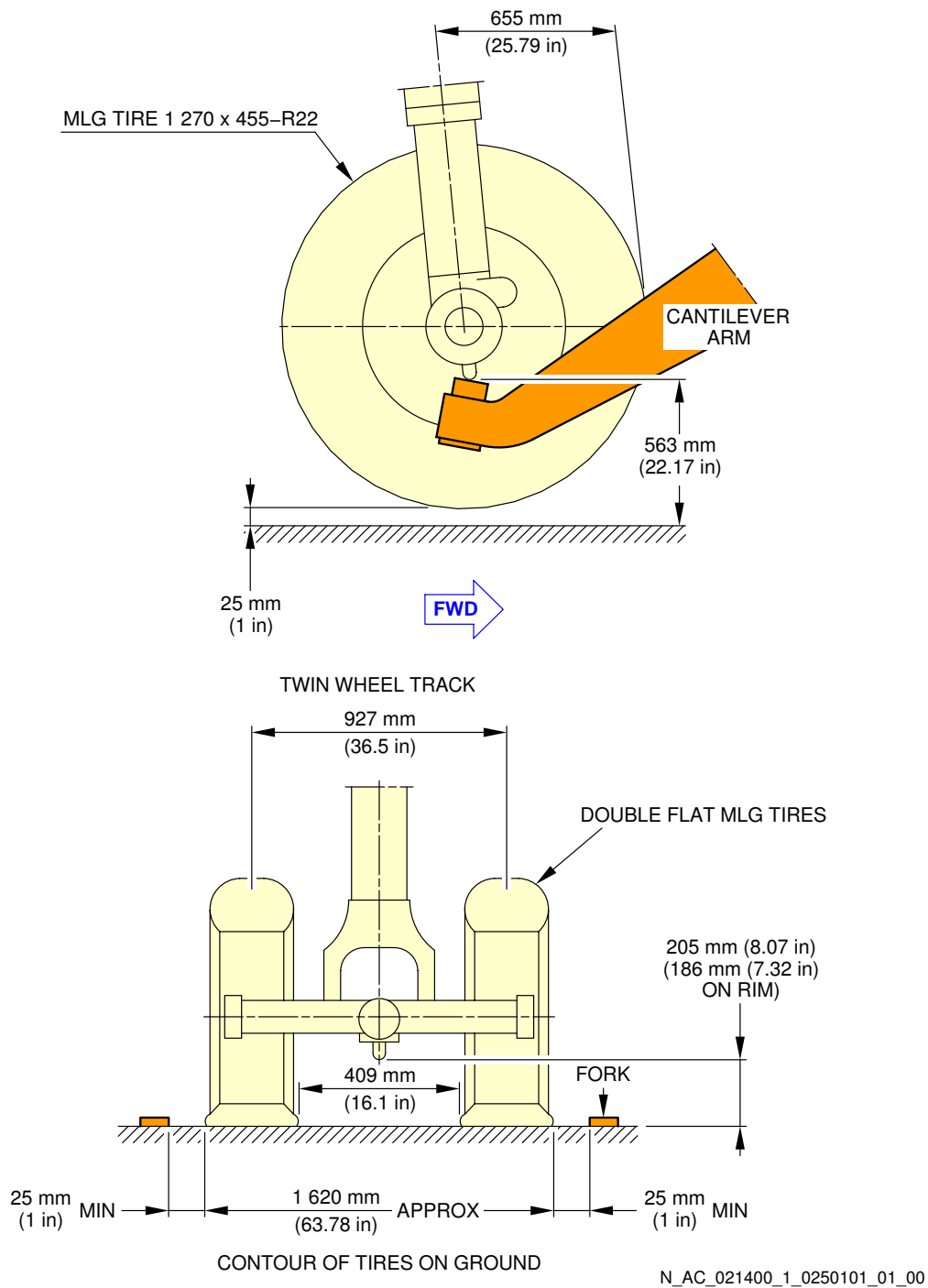


NOTE: TWIN WHEEL TRACK IS 927 mm (36.5 in).
 THE FLAT TIRES VIEW SHOWS THE MINIMUM HEIGHT TO ENGAGE JACK WITH 2 FLAT TIRES.
 THE INFLATED TIRES VIEW SHOWS THE JACKING HEIGHT TO GIVE 25 mm (1 in) CLEARANCE BETWEEN THE TIRE AND GROUND.

N_AC_021400_1_0240101_01_00

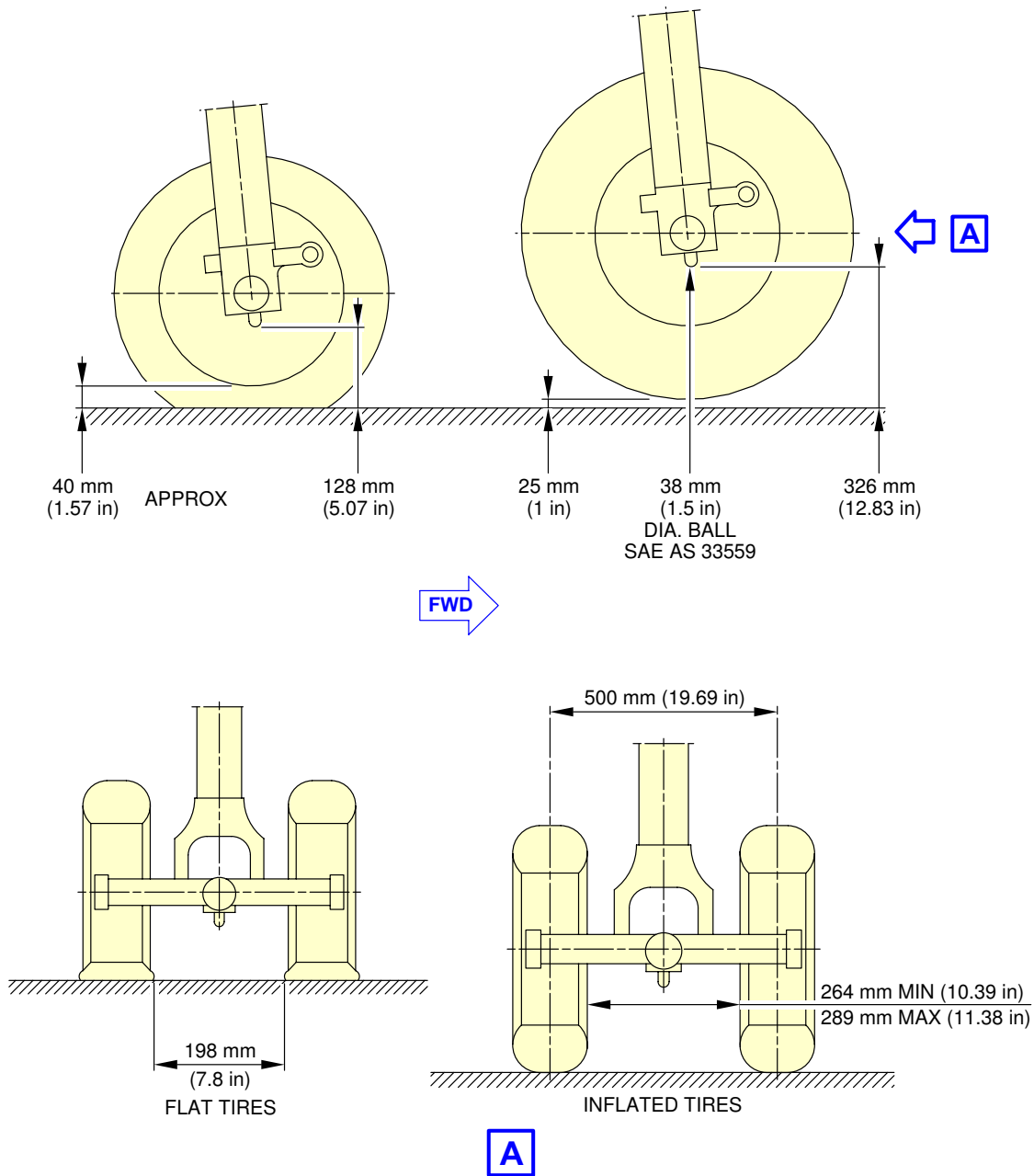
Jacking of the Landing Gear
 MLG Jacking Point Location - Twin Wheels
 FIGURE-2-14-0-991-024-A01

**ON A/C A321-100 A321-200 A321neo



Jacking of the Landing Gear
 MLG Jacking with Cantilever Jack - Twin Wheels
 FIGURE-2-14-0-991-025-A01

**ON A/C A321-100 A321-200 A321neo



NOTE: THE FLAT TIRES VIEW SHOWS THE MINIMUM HEIGHT TO ENGAGE JACK WITH 2 FLAT TIRES.
 THE INFLATED TIRES VIEW SHOWS THE JACKING HEIGHT TO GIVE 25 mm (1 in) CLEARANCE BETWEEN THE TIRE AND GROUND.

N_AC_021400_1_0280101_01_00

Jacking of the Landing Gear
 NLG Jacking - Point Location
 FIGURE-2-14-0-991-028-A01

****ON A/C A321-100 A321-200**

A321-100/-200 WV011	
MAXIMUM DESIGN TAXI WEIGHT (MTW)	93 900 kg (207 014 lb)
MAXIMUM DESIGN TAKE-OFF WEIGHT (MTOW)	93 500 kg (206 132 lb)
MAXIMUM LOAD VALUE TO BE APPLIED ON NLG JACKING POINT	9 000 kg (19 842 lb)
NUMBER OF JACKING POINTS ON ONE MLG	1
MAXIMUM LOAD VALUE TO BE APPLIED ON MLG JACKING POINT (LEFT OR RIGHT)	44 500 kg (98 106 lb)

N_AC_021400_1_0610101_01_00

Jacking of the Landing Gear
Maximum Load Capacity to Lift Each Jacking Point
FIGURE-2-14-0-991-061-A01

****ON A/C A321neo**

A321 NEO WV052 AND WV053	
MAXIMUM DESIGN TAXI WEIGHT (MTW)	93 900 kg (207 014 lb)
MAXIMUM DESIGN TAKE-OFF WEIGHT (MTOW)	93 500 kg (206 132 lb)
MAXIMUM LOAD VALUE TO BE APPLIED ON NLG JACKING POINT	12 207 kg (26 912 lb)
NUMBER OF JACKING POINTS ON ONE MLG	1
MAXIMUM LOAD VALUE TO BE APPLIED ON MLG JACKING POINT (LEFT OR RIGHT)	59 103 kg (130 300 lb)

N_AC_021400_1_0640101_01_00

Jacking of the Landing Gear
Maximum Load Capacity to Lift Each Jacking Point
FIGURE-2-14-0-991-064-A01

AIRCRAFT PERFORMANCE

3-1-0 General Information

****ON A/C A321-100 A321-200 A321neo**General Information

1. Standard day temperatures for the altitudes shown are tabulated below:

Standard Day Temperatures for the Altitudes			
Altitude		Standard Day Temperature	
FEET	METERS	°F	°C
0	0	59.0	15.0
2 000	610	51.9	11.1
4 000	1 220	44.7	7.1
6 000	1 830	37.6	3.1
8 000	2 440	30.5	-0.8



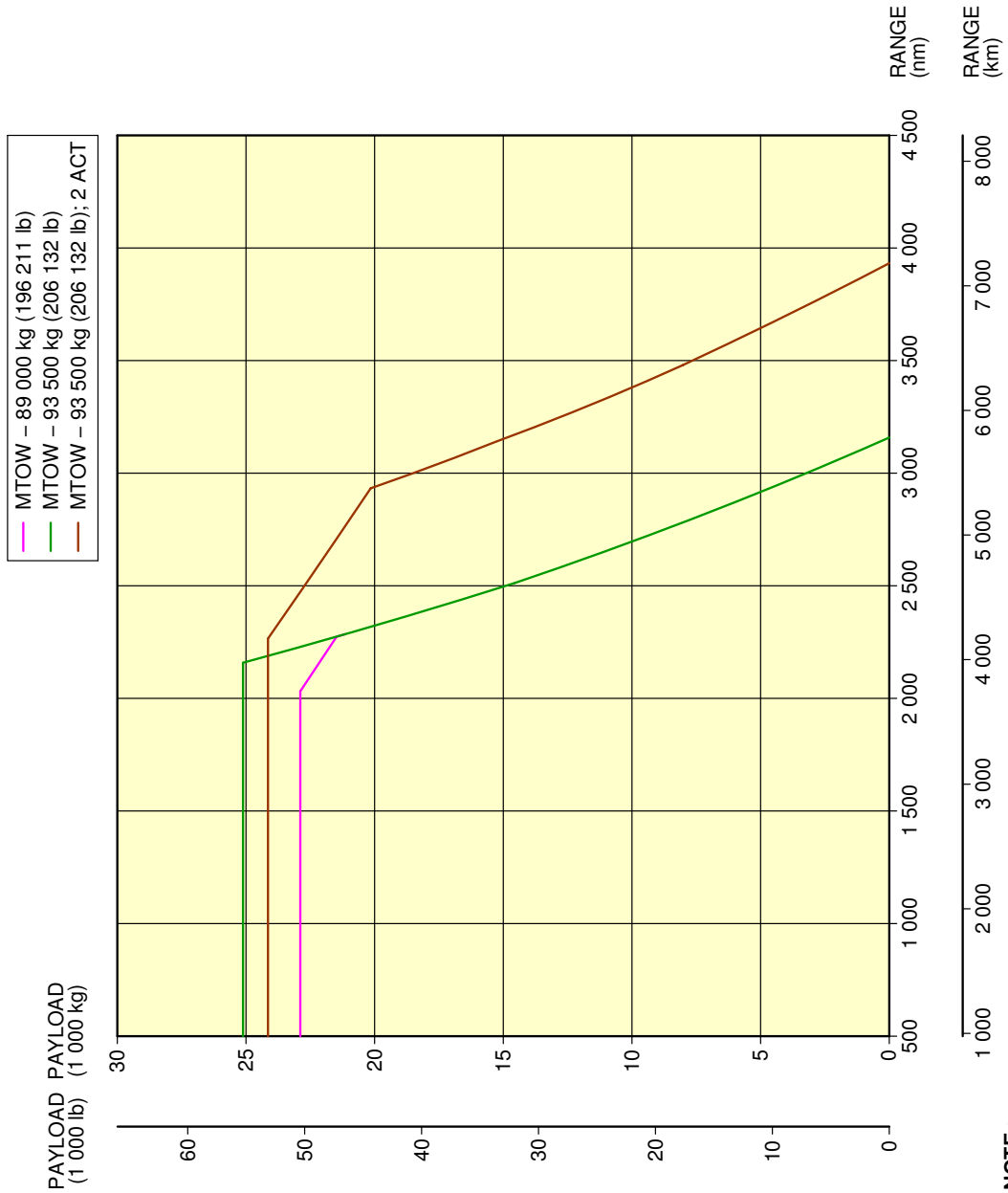
3-2-1 Payload / Range - ISA Conditions

****ON A/C A321-100 A321-200 A321neo**

Payload/Range - ISA Conditions

1. This section provides the payload/range at ISA conditions.

**ON A/C A321-100 A321-200

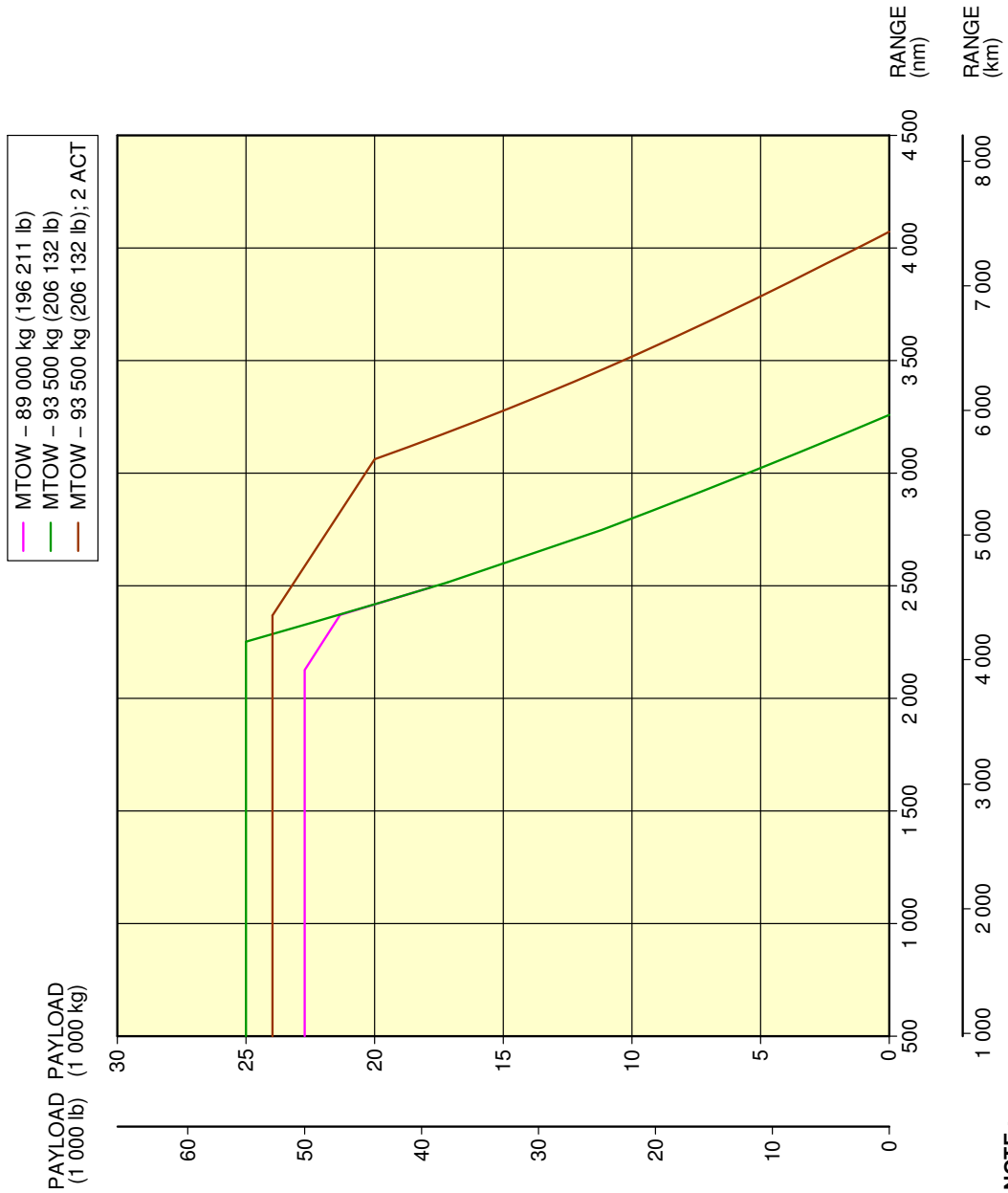


NOTE:
 THESE CURVES ARE GIVEN FOR INFORMATION ONLY.
 THE APPROVED VALUES ARE STATED IN THE "OPERATING
 MANUALS" SPECIFIC TO THE AIRLINE OPERATING THE AIRCRAFT.

N_AC_030201_1_0190101_01_00

Payload/Range - ISA Conditions
 FIGURE-3-2-1-991-019-A01

**ON A/C A321-100 A321-200

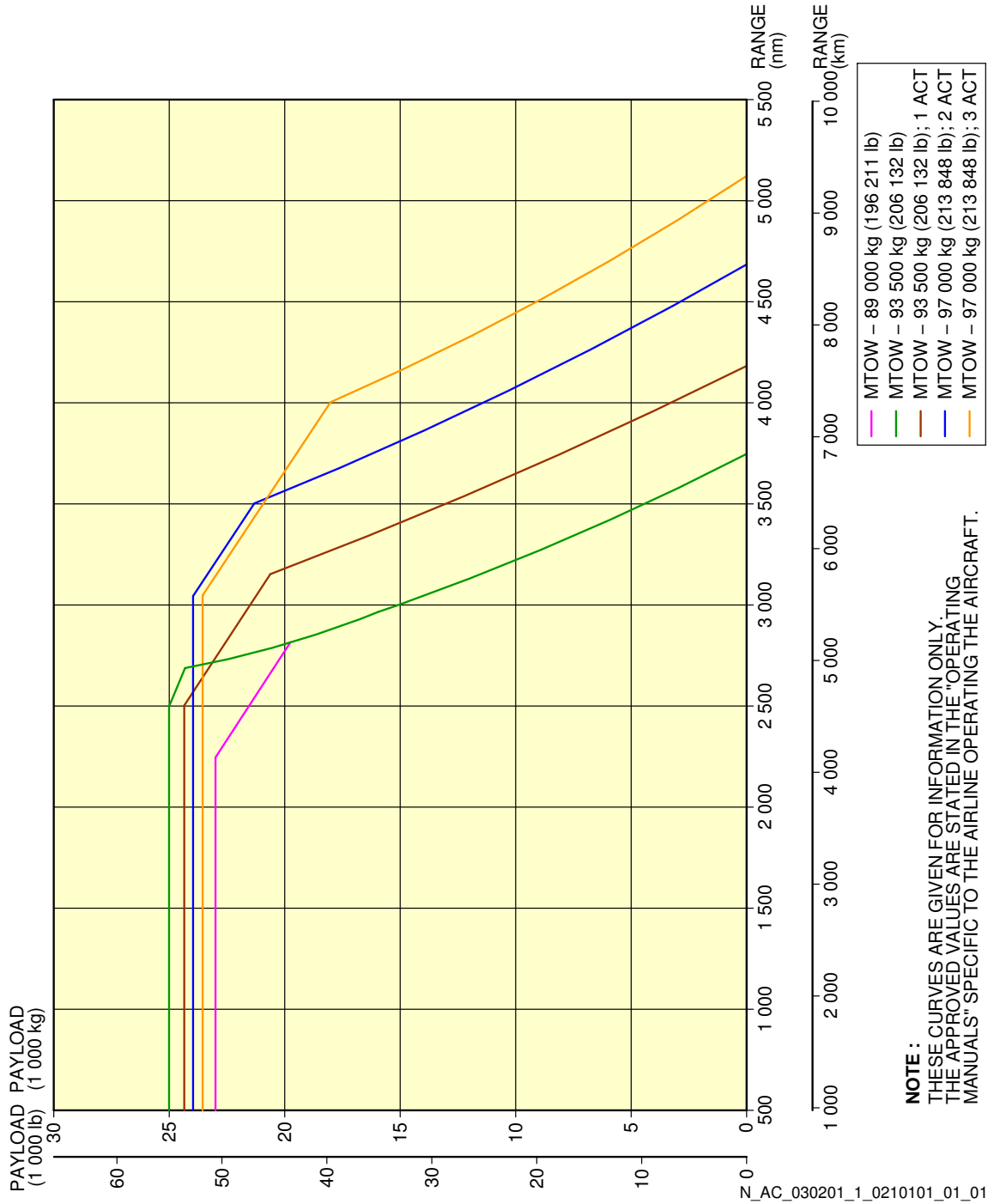


NOTE :
 THESE CURVES ARE GIVEN FOR INFORMATION ONLY.
 THE APPROVED VALUES ARE STATED IN THE "OPERATING
 MANUALS" SPECIFIC TO THE AIRLINE OPERATING THE AIRCRAFT.

N_AC_030201_1_0200101_01_00

Payload/Range - ISA Conditions
 Sharklet
 FIGURE-3-2-1-991-020-A01

**ON A/C A321neo



Payload/Range - ISA Conditions
FIGURE-3-2-1-991-021-A01



3-3-1 Take-off Weight Limitation - ISA Conditions

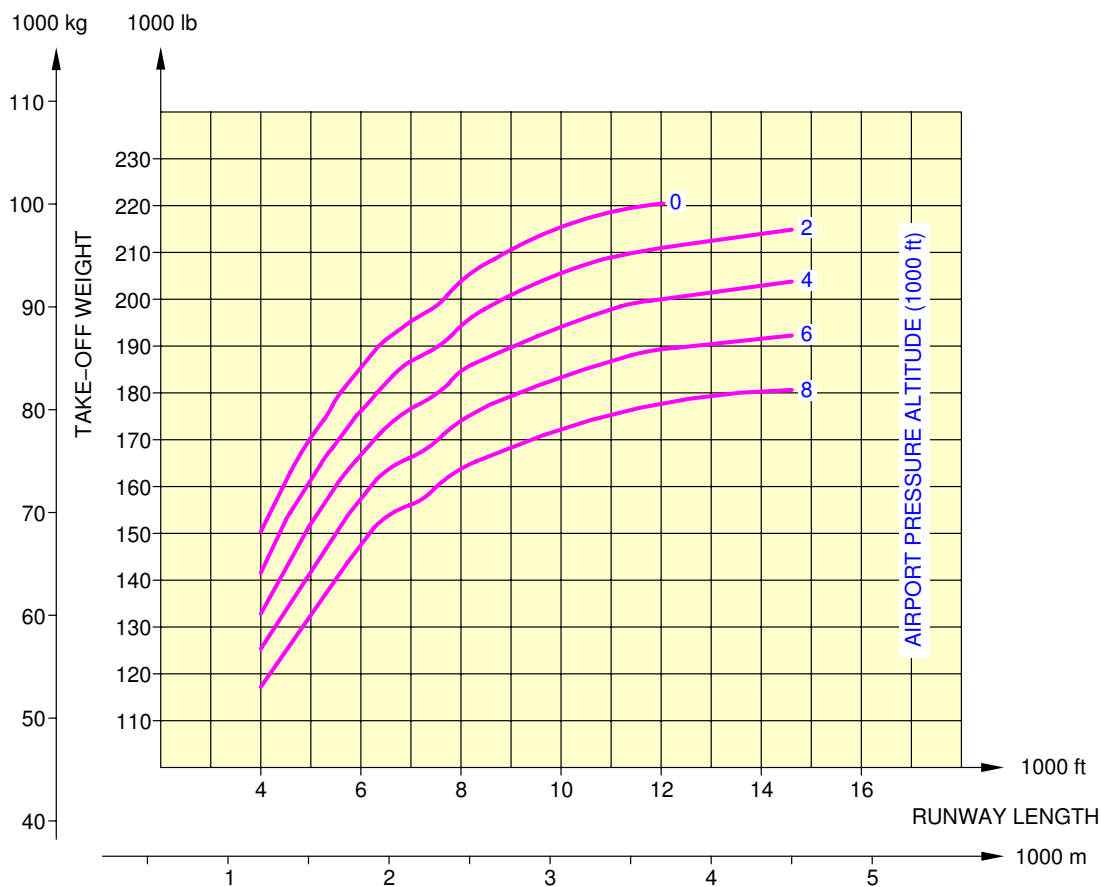
****ON A/C A321-100 A321-200 A321neo**

Take-Off Weight Limitation - ISA Conditions

1. This section gives the take-off weight limitation at ISA conditions.

****ON A/C A321-100 A321-200**

NOTE: THESE CURVES ARE GIVEN FOR INFORMATION ONLY
THE APPROVED VALUES ARE STATED IN THE "OPERATING
MANUALS" SPECIFIC TO THE AIRLINE OPERATING THE AIRCRAFT.

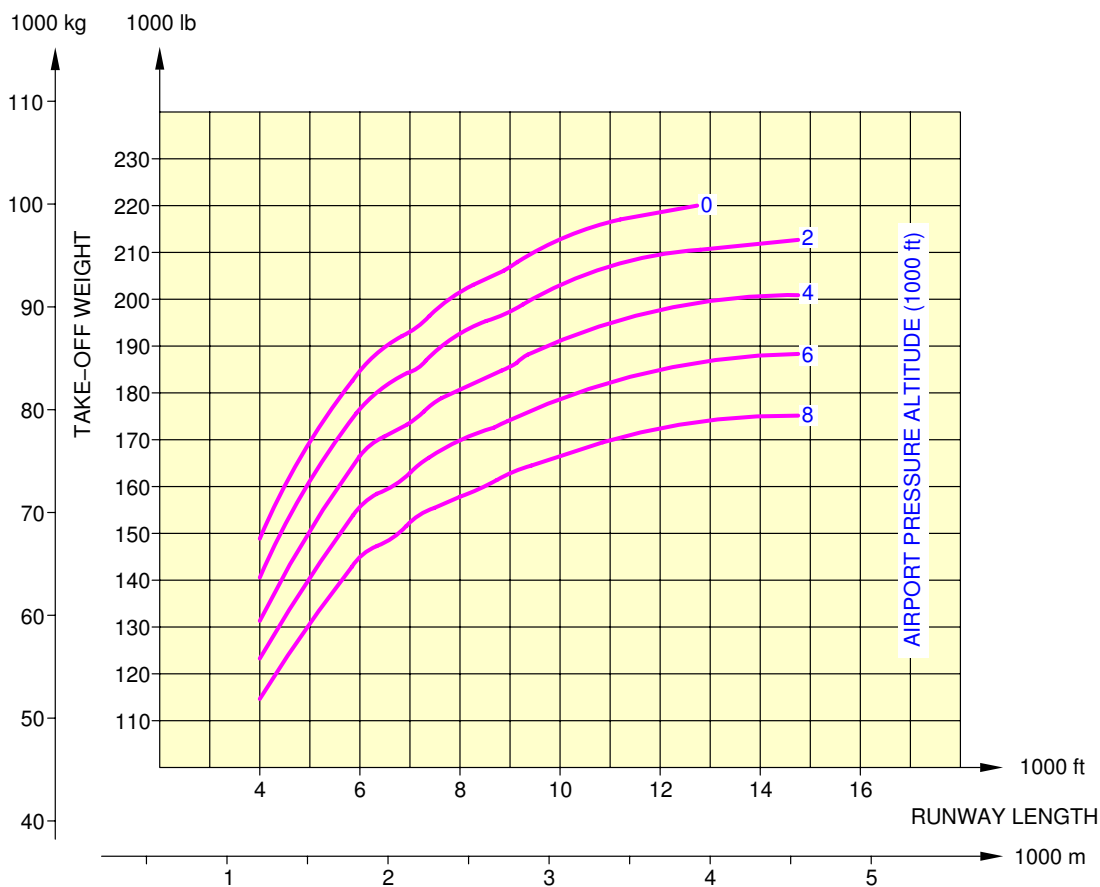


N_AC_030301_1_0070101_01_00

Take-Off Weight Limitation - ISA Conditions
CFM56 Series Engine
FIGURE-3-3-1-991-007-A01

****ON A/C A321-100 A321-200**

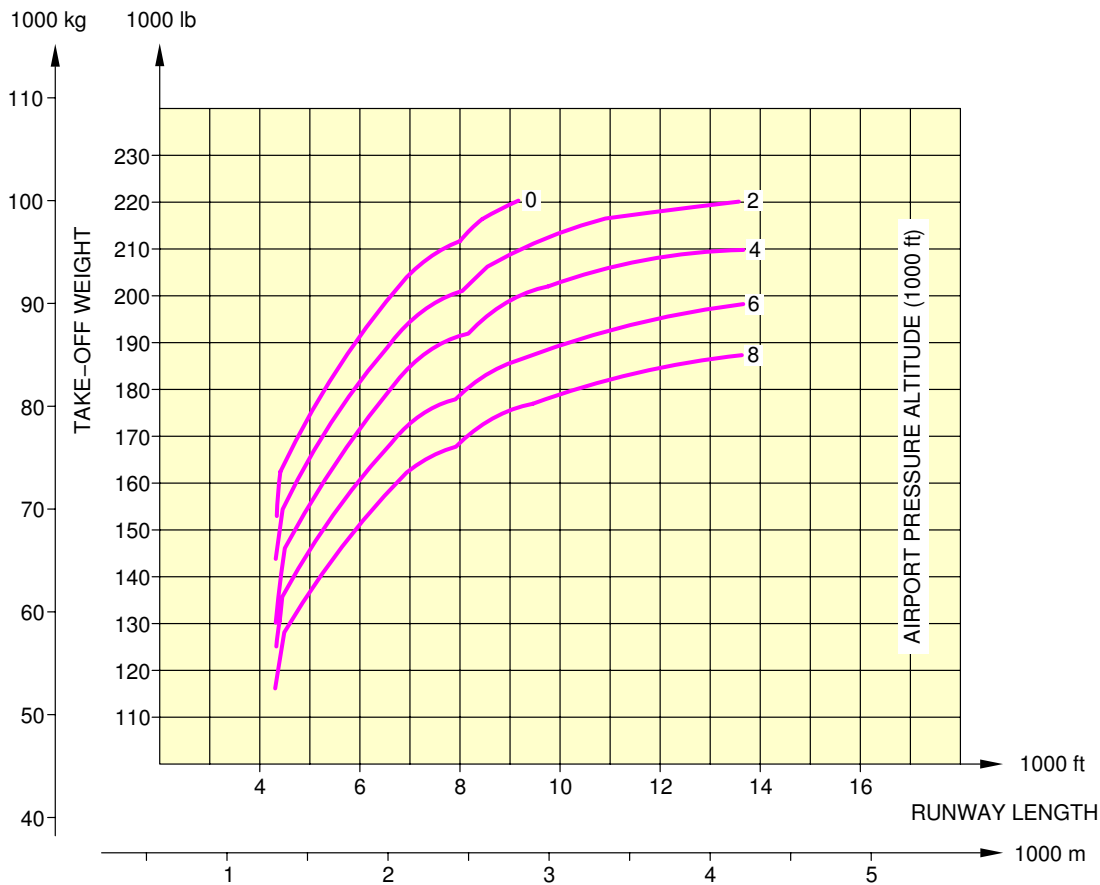
NOTE: THESE CURVES ARE GIVEN FOR INFORMATION ONLY
THE APPROVED VALUES ARE STATED IN THE "OPERATING
MANUALS" SPECIFIC TO THE AIRLINE OPERATING THE AIRCRAFT.



N_AC_030301_1_0080101_01_00

Take-Off Weight Limitation - ISA Conditions
IAE V2500 Series Engine
FIGURE-3-3-1-991-008-A01

****ON A/C A321neo**



NOTE:
THESE CURVES ARE GIVEN FOR INFORMATION ONLY
THE APPROVED VALUES ARE STATED IN THE "OPERATING
MANUALS" SPECIFIC TO THE AIRLINE OPERATING THE AIRCRAFT.

N_AC_030301_1_0100101_01_00

Take-Off Weight Limitation - ISA Conditions
LEAP-1A Series Engine
FIGURE-3-3-1-991-010-A01



3-3-2 Take-off Weight Limitation - ISA +15 °C (+59 °F) Conditions

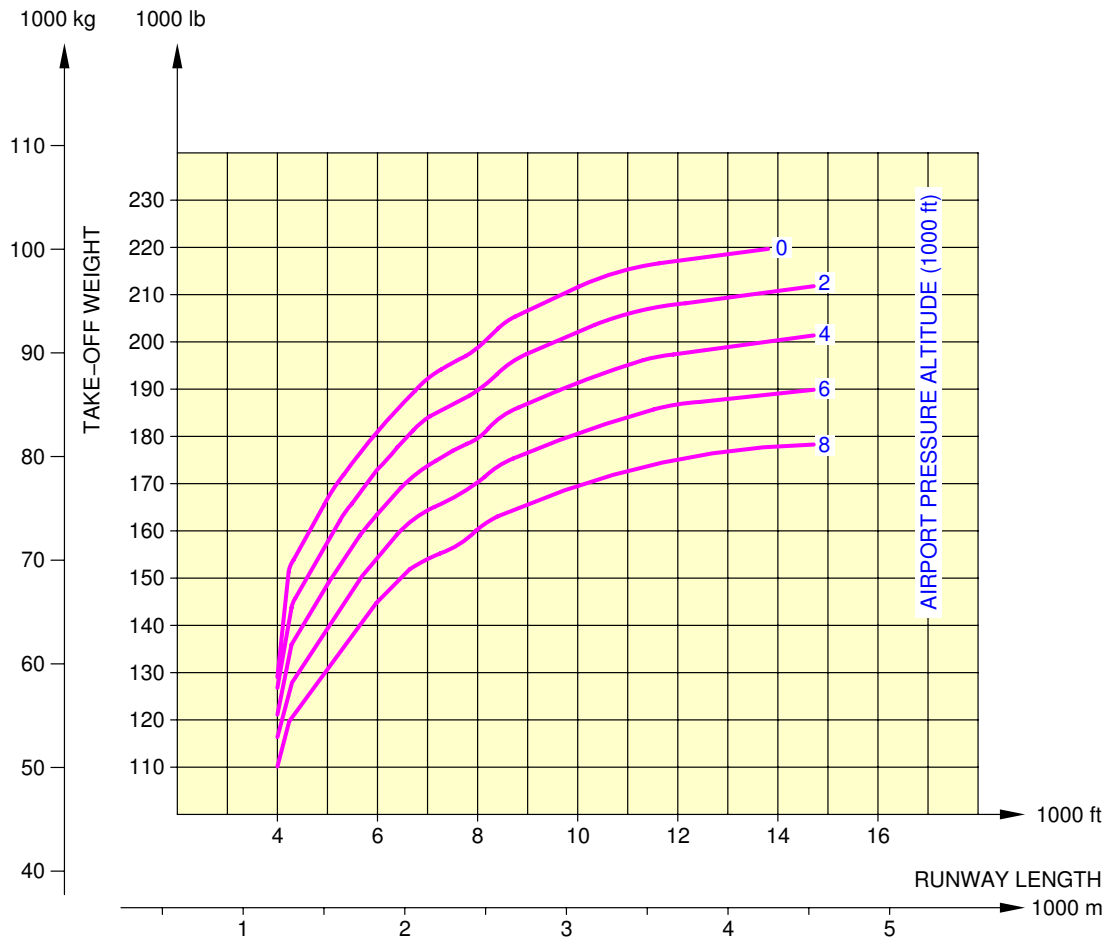
****ON A/C A321-100 A321-200 A321neo**

Take-Off Weight Limitation - ISA +15 °C (+27 °F) Conditions

1. This section gives the take-off weight limitation at ISA +15 °C (+27 °F) conditions.

****ON A/C A321-100 A321-200**

NOTE: THESE CURVES ARE GIVEN FOR INFORMATION ONLY
THE APPROVED VALUES ARE STATED IN THE "OPERATING
MANUALS" SPECIFIC TO THE AIRLINE OPERATING THE AIRCRAFT.

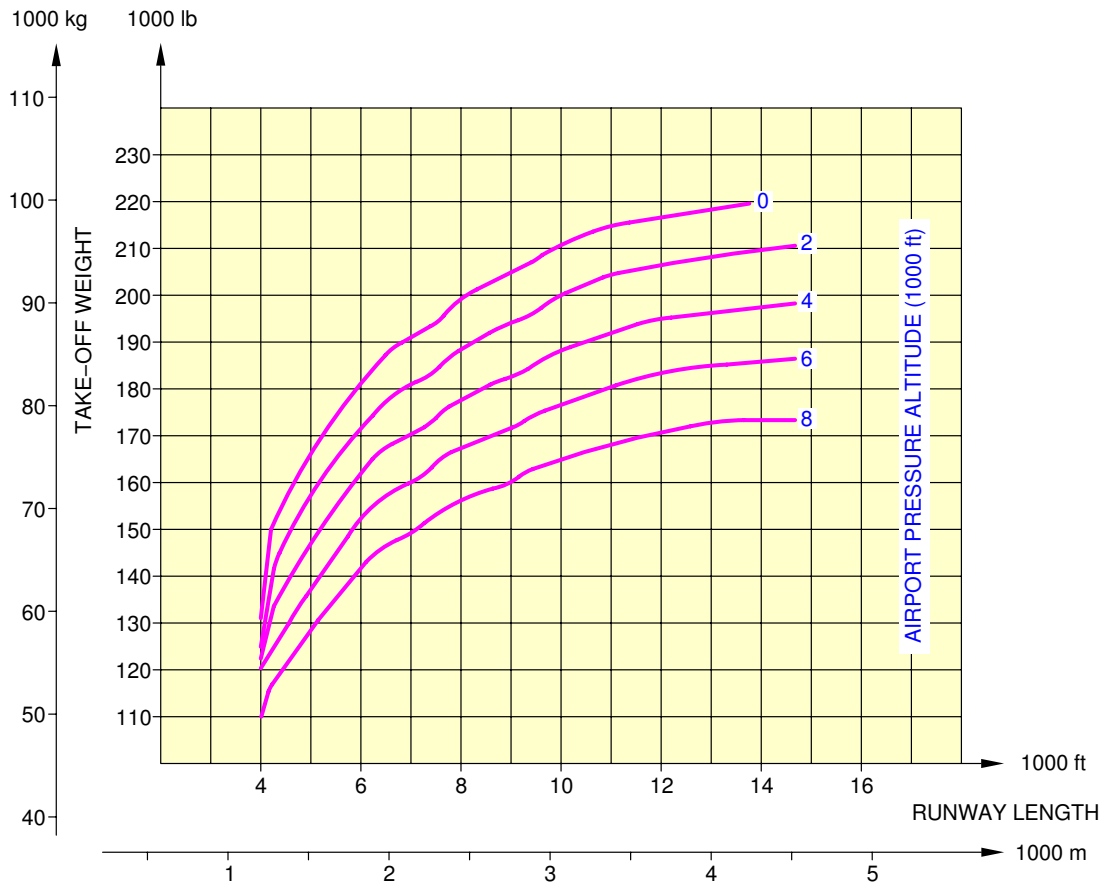


N_AC_030302_1_0070101_01_00

Take-Off Weight Limitation - ISA +15° C (+27° F) Conditions
CFM56 Series Engine
FIGURE-3-3-2-991-007-A01

****ON A/C A321-100 A321-200**

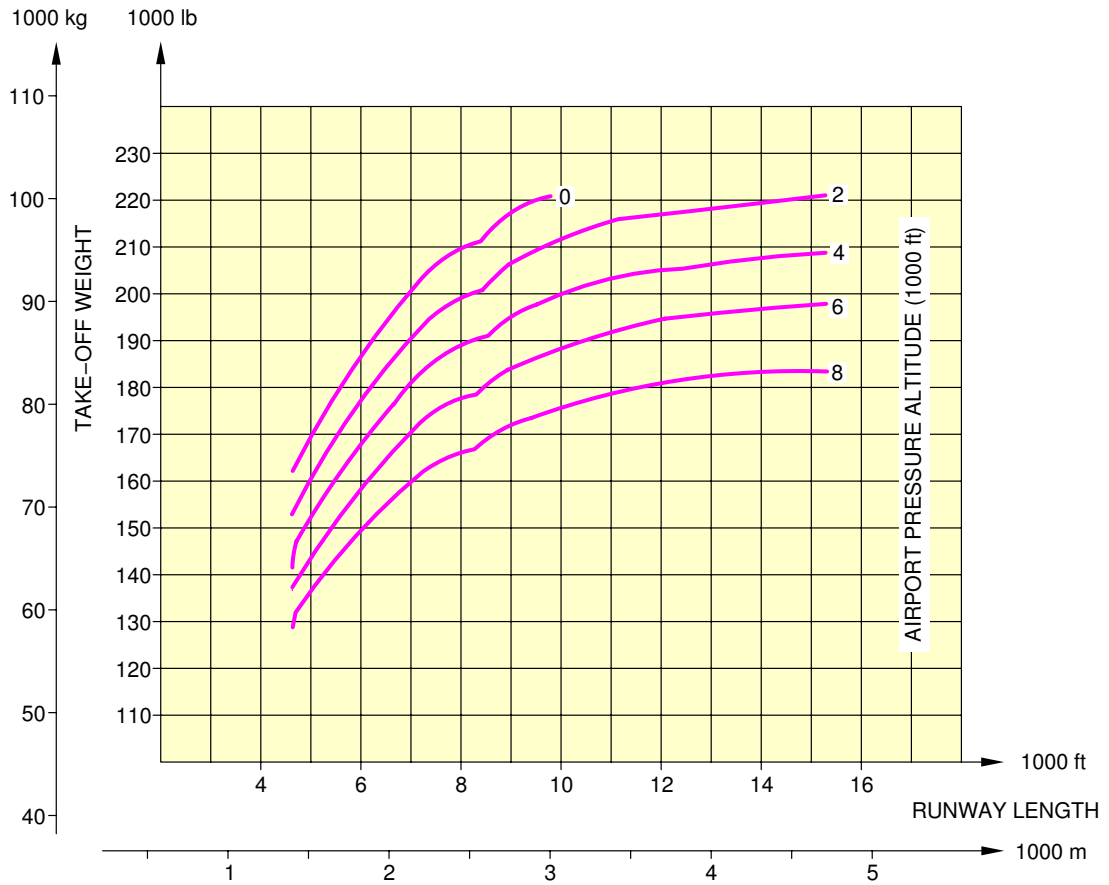
NOTE: THESE CURVES ARE GIVEN FOR INFORMATION ONLY
THE APPROVED VALUES ARE STATED IN THE "OPERATING
MANUALS" SPECIFIC TO THE AIRLINE OPERATING THE AIRCRAFT.



N_AC_030302_1_0080101_01_00

Take-Off Weight Limitation - ISA +15° C (+27° F) Conditions
IAE V2500 Series Engine
FIGURE-3-3-2-991-008-A01

****ON A/C A321neo**



NOTE:
 THESE CURVES ARE GIVEN FOR INFORMATION ONLY
 THE APPROVED VALUES ARE STATED IN THE "OPERATING
 MANUALS" SPECIFIC TO THE AIRLINE OPERATING THE AIRCRAFT.

N_AC_030302_1_0100101_01_00

Take-Off Weight Limitation - ISA +15° C (+27° F) Conditions
 LEAP-1A Series Engine
 FIGURE-3-3-2-991-010-A01



3-3-3 Aerodrome Reference Code

****ON A/C A321-100 A321-200 A321neo**

Aerodrome Reference Code

1. A321-100, A321-200 and A321neo are classified as code 4C as per ICAO Aerodrome Reference Code.



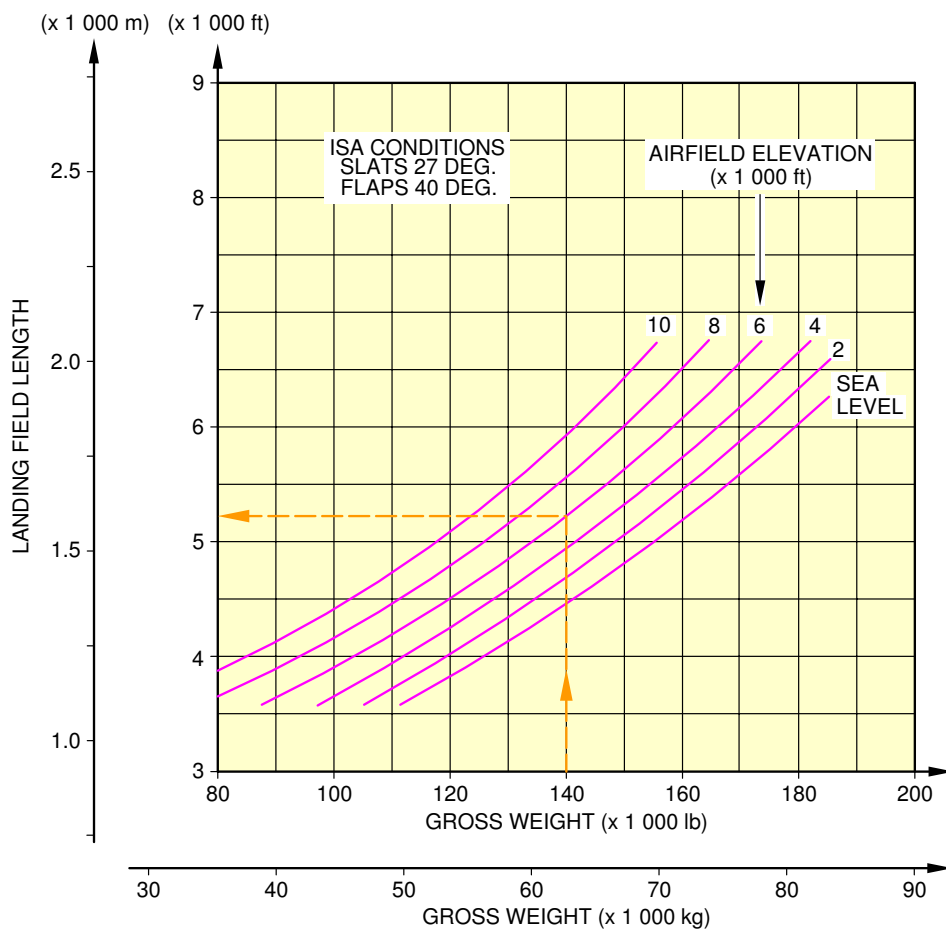
3-4-1 Landing Field Length - ISA Conditions

****ON A/C A321-100 A321-200**

Landing Field Length - ISA Conditions

1. This section provides the landing field length.

****ON A/C A321-100 A321-200**

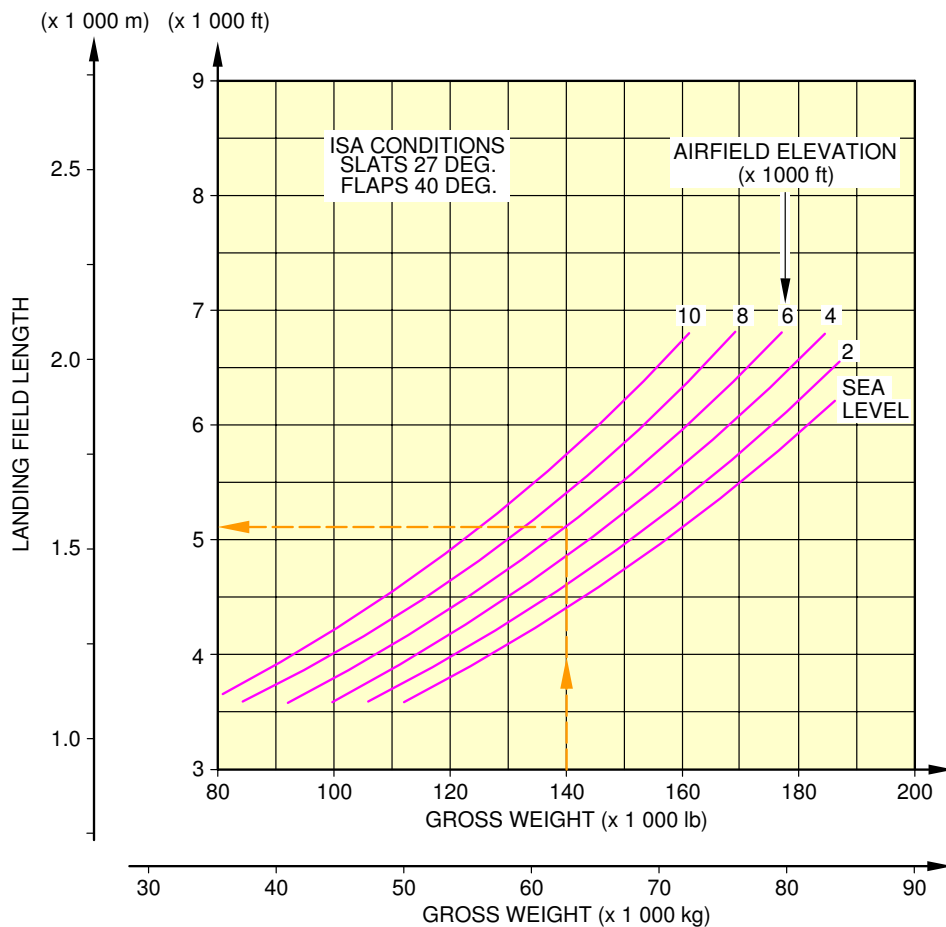


NOTE:
THESE CURVES ARE GIVEN FOR INFORMATION ONLY.
THE APPROVED VALUES ARE STATED IN THE "OPERATING
MANUALS" SPECIFIC TO THE AIRLINE OPERATING THE AIRCRAFT.

N_AC_030401_1_0070101_01_01

Landing Field Length - ISA Conditions
CFM56 Series Engine
FIGURE-3-4-1-991-007-A01

****ON A/C A321-100 A321-200**



NOTE:
 THESE CURVES ARE GIVEN FOR INFORMATION ONLY.
 THE APPROVED VALUES ARE STATED IN THE "OPERATING
 MANUALS" SPECIFIC TO THE AIRLINE OPERATING THE AIRCRAFT.

N_AC_030401_1_0080101_01_01

Landing Field Length - ISA Conditions
 IAE V2500 Series Engine
 FIGURE-3-4-1-991-008-A01

3-5-0 Final Approach Speed****ON A/C A321-100 A321-200 A321neo**Final Approach Speed****ON A/C A321-100 A321-200**

1. Final Approach Speed

A. This section gives the final approach speed which is the indicated airspeed at threshold in the landing configuration at the certificated maximum flap setting and Maximum Landing Weight (MLW) at standard atmospheric conditions. The approach speed is used to classify the aircraft into Aircraft Approach Category, a grouping of aircraft based on the indicated airspeed at threshold.

B. The final approach speed is 140 kt at a MLW of 75 500 kg (166 449 lb) and classifies the aircraft into the Aircraft Approach Category C.

NOTE : This value is given for information only.

C. The final approach speed is 142 kt at a MLW of 77 800 kg (171 520 lb) and classifies the aircraft into the Aircraft Approach Category D.

NOTE : This value is given for information only.

****ON A/C A321neo**

2. Final Approach Speed

A. This section gives the final approach speed which is the indicated airspeed at threshold in the landing configuration at the certificated maximum flap setting and MLW at standard atmospheric conditions. The approach speed is used to classify the aircraft into Aircraft Approach Category, a grouping of aircraft based on the indicated airspeed at threshold.

B. The final approach speed is 136 kt at a MLW of 79 200 kg (174 606 lb) and classifies the aircraft into the Aircraft Approach Category C.

NOTE : This value is given for information only.

GROUND MANEUVERING

4-1-0 General Information

****ON A/C A321-100 A321-200 A321neo**

General Information

1. This section provides aircraft turning capability and maneuvering characteristics.

For ease of presentation, this data has been determined from the theoretical limits imposed by the geometry of the aircraft, and where noted, provides for a normal allowance for tire slippage. As such, it reflects the turning capability of the aircraft in favorable operating circumstances. This data should only be used as a guideline for the method of determination of such parameters and for the maneuvering characteristics of this aircraft type.

In ground operating mode, varying airline practices may demand that more conservative turning procedures be adopted to avoid excessive tire wear and reduce possible maintenance problems. Airline operating techniques will vary in the level of performance, over a wide range of operating circumstances throughout the world. Variations from standard aircraft operating patterns may be necessary to satisfy physical constraints within the maneuvering area, such as adverse grades, limited area or a high risk of jet blast damage. For these reasons, ground maneuvering requirements should be coordinated with the airlines in question prior to layout planning.



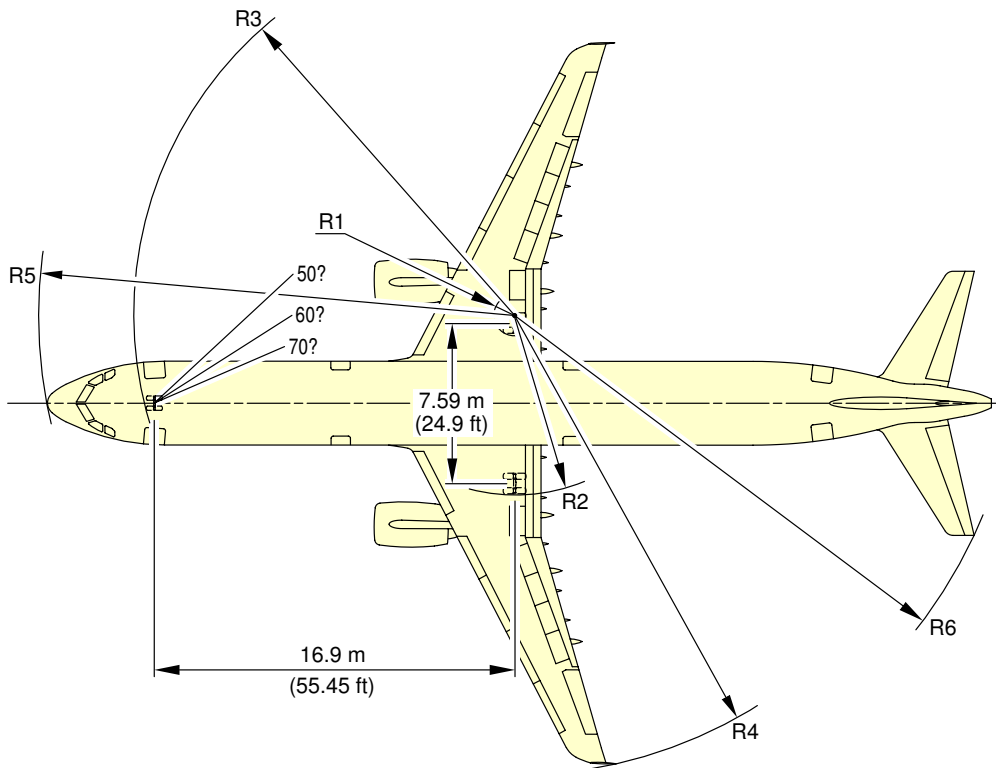
4-2-0 Turning Radii

****ON A/C A321-100 A321-200 A321neo**

Turning Radii

1. This section provides the turning radii.

**ON A/C A321-100 A321-200 A321neo



NOTE: FOR STEERING DIMENSION TABLE SEE SHEET 2.
APPLICABLE FOR A321-100 AND A321-200.

TURN TYPE:

1. ASYMMETRIC THRUST DIFFERENTIAL BRAKING
(PIVOTTING ON ONE MAIN GEAR).
2. SYMMETRIC THRUST NO BRAKING.

N_AC_040200_1_0070101_01_02

Turning Radii, No Slip Angle
(Sheet 1)

FIGURE-4-2-0-991-007-A01

**ON A/C A321-100 A321-200 A321neo

TURN TYPE	MAXIMUM RAMP WEIGHT		R1 RMLG		R2 LMLG		R3 NLG		R4 - WING				R5 NOSE		R6 THS	
	STEERING ANGLE (deg)	EFFECTIVE STEERING ANGLE (deg)	m	ft	m	ft	m	ft	WINGTIP FENCE	SHARKLET		m	ft	m	ft	
2	20	19.6	44.3	145	51.9	170	50.7	166	64.7	212	65.5	215	52.3	172	57.9	190
2	25	24.5	34.0	112	41.6	136	41.1	135	54.3	178	55.2	181	43.1	141	48.5	159
2	30	29.4	26.9	88	34.5	113	34.7	114	47.3	155	48.1	158	37.2	122	42.2	139
2	35	34.3	21.7	71	29.3	96	30.3	99	42.1	138	42.9	141	33.1	109	37.8	124
2	40	39.2	17.6	58	25.2	83	27.0	89	38.1	125	38.9	128	30.2	99	34.6	114
2	45	44.0	14.4	47	22.0	72	24.6	81	34.8	114	35.6	117	28.1	92	32.1	105
2	50	48.8	11.7	38	19.3	63	22.7	74	32.1	105	32.9	108	26.5	87	30.2	99
2	55	53.6	9.4	31	16.9	56	21.2	70	29.8	98	30.7	101	25.3	83	28.6	94
2	60	58.3	7.3	24	14.9	49	20.0	66	27.8	91	28.6	94	24.3	80	27.4	90
2	65	63.0	5.5	18	13.1	43	19.1	63	26.1	85	26.9	88	23.6	77	26.3	86
2	70	67.4	3.9	13	11.5	38	18.4	61	24.5	80	25.3	83	23.1	76	25.4	83
2	75 (MAX)	71.6	2.5	8	10.1	33	17.9	59	23.1	76	23.9	78	22.7	74	24.7	81
1	50	49.1	11.5	38	19.1	63	22.6	74	32.0	105	32.8	108	26.4	87	30.1	99
1	55	54.0	9.2	30	16.8	55	21.1	69	29.7	97	30.5	100	25.2	83	28.5	94
1	60	58.8	7.1	23	14.7	48	19.9	65	27.6	91	28.5	93	24.2	80	27.2	89
1	65	63.6	5.3	17	12.9	42	19.0	62	25.8	85	26.6	87	23.5	77	26.2	86
1	70	68.4	3.6	12	11.2	37	18.3	60	24.1	79	25.0	82	23.0	75	25.3	83
1	75 (MAX)	73.1	2.0	7	9.6	32	17.8	58	22.6	74	23.4	77	22.6	74	24.5	80

NOTE: ABOVE 50?, AIRLINES MAY USE TYPE 1 OR TYPE 2 TURNS DEPENDING ON THE SITUATION.
 TYPE 1 TURNS USE: ASYMMETRIC THRUST DURING THE WHOLE TURN; AND DIFFERENTIAL BRAKING TO INITIATE THE TURN ONLY.
 TYPE 2 TURNS USE: SYMMETRIC THRUST DURING THE WHOLE TURN; AND NO DIFFERENTIAL BRAKING AT ALL.
 IT IS POSSIBLE TO GET LOWER VALUES THAN THOSE FROM TYPE 1 BY APPLYING DIFFERENTIAL BRAKING DURING THE WHOLE TURN.

N_AC_040200_1_0080101_01_01

Turning Radii, No Slip Angle
 (Sheet 2)
 FIGURE-4-2-0-991-008-A01



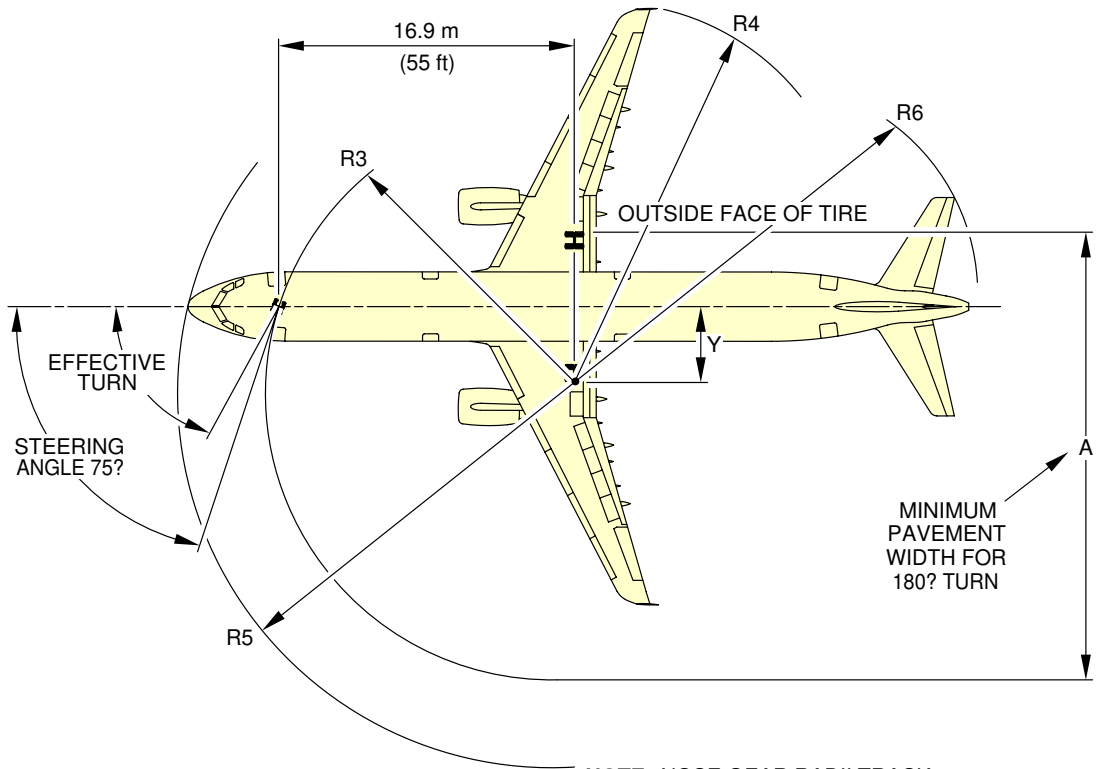
4-3-0 Minimum Turning Radii

**ON A/C A321-100 A321-200 A321neo

Minimum Turning Radii

1. This section provides the minimum turning radii.

****ON A/C A321-100 A321-200 A321neo**



NOTE: NOSE GEAR RADII TRACK MEASURED FROM OUTSIDE FACE OF TIRE. THEORETICAL CENTER OF TURN FOR MINIMUM TURNING RADIUS. SLOW CONTINUOUS TURNING, APPROXIMATELY IDLE THRUST ON ALL ENGINES. NO DIFFERENTIAL BRAKING.

TYPE OF TURN	STEERING ANGLE (DEG)	EFFECTIVE STEERING ANGLE		Y	A	R3 NLG	R4 WING		R5 NOSE	R6 THS
							WING TIP FENCE	SHARKLET		
1	75 (MAX)	73.1°	m	5.1	27.7	17.8	22.6	23.4	22.6	24.5
			ft	17	91	58	74	77	74	80
2	75 (MAX)	71.6°	m	5.6	28.3	17.9	23.1	23.9	22.7	24.7
			ft	18	93	59	76	78	74	81

NOTE: IT IS POSSIBLE TO GET LOWER VALUES THAN THOSE FROM TYPE 1 BY APPLYING DIFFERENTIAL BRAKING DURING THE WHOLE TURN.

N_AC_040300_1_0040101_01_02

Minimum Turning Radii
FIGURE-4-3-0-991-004-A01



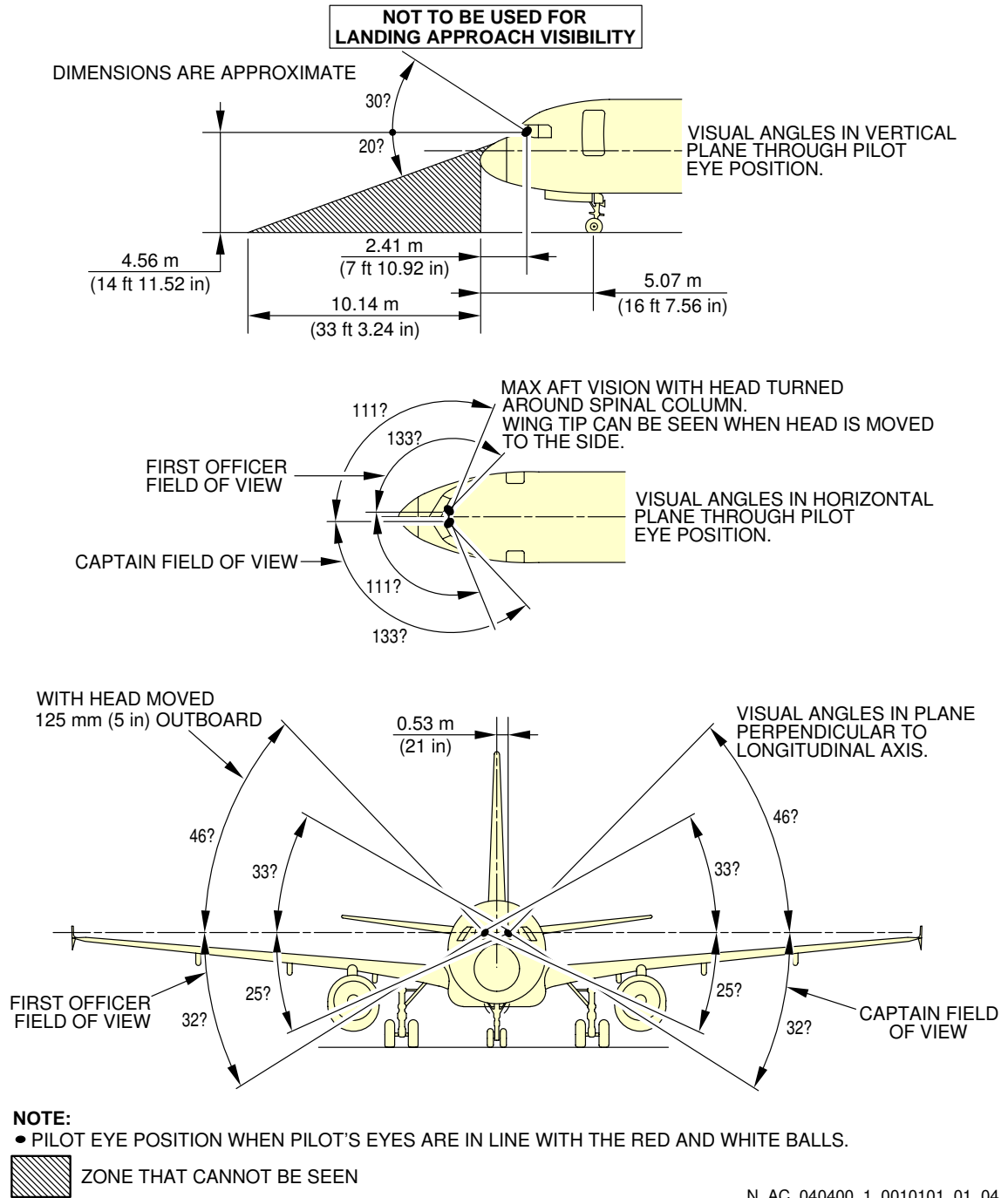
4-4-0 Visibility from Cockpit in Static Position

****ON A/C A321-100 A321-200 A321neo**

Visibility from Cockpit in Static Position

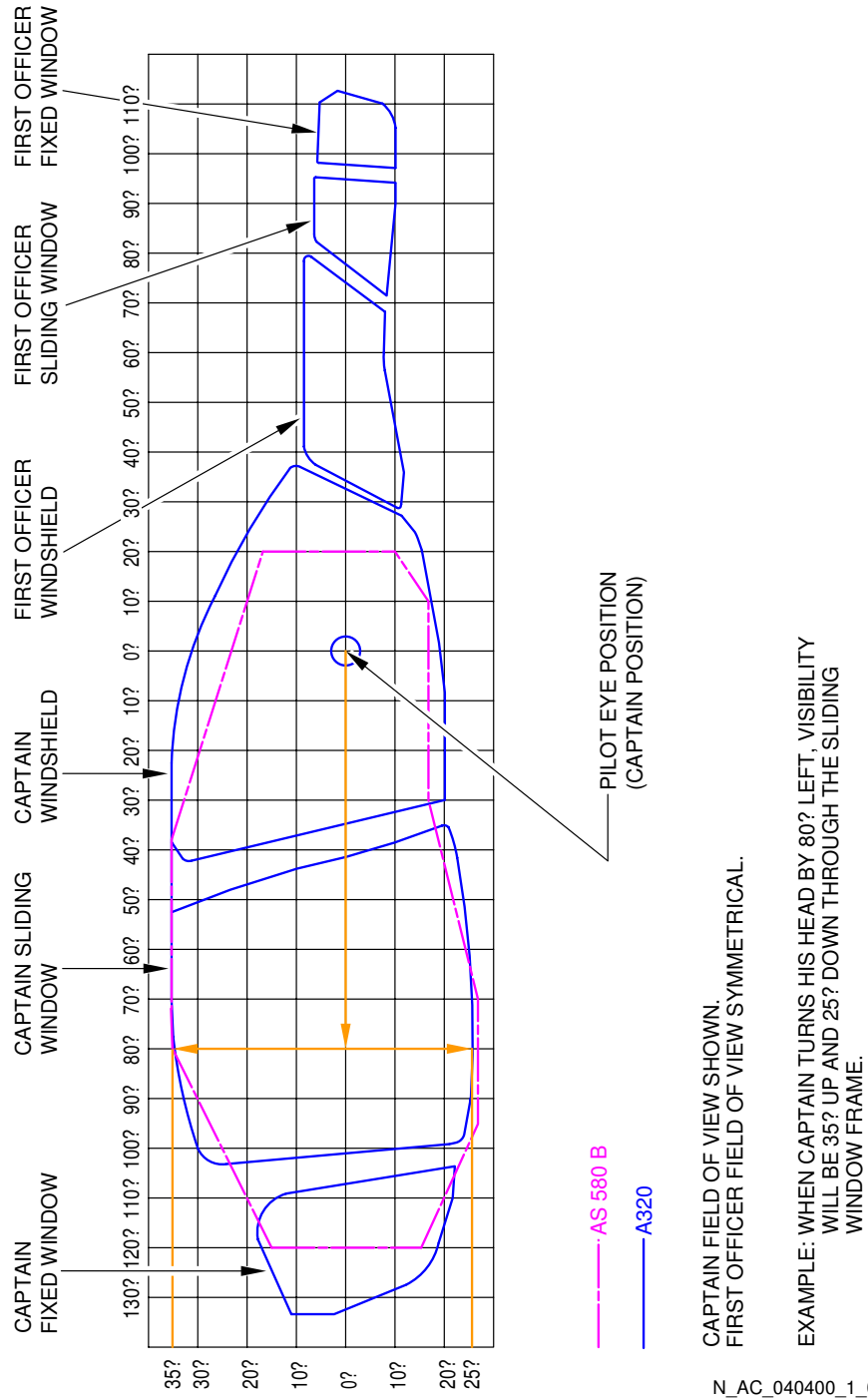
1. This section gives the visibility from cockpit in static position.

**ON A/C A321-100 A321-200 A321neo



Visibility from Cockpit in Static Position
FIGURE-4-4-0-991-001-A01

**ON A/C A321-100 A321-200 A321neo



CAPTAIN FIELD OF VIEW SHOWN.
FIRST OFFICER FIELD OF VIEW SYMMETRICAL.

EXAMPLE: WHEN CAPTAIN TURNS HIS HEAD BY 80° LEFT, VISIBILITY WILL BE 35° UP AND 25° DOWN THROUGH THE SLIDING WINDOW FRAME.

N_AC_040400_1_0050101_01_00

Binocular Visibility Through Windows from Captain Eye Position
FIGURE-4-4-0-991-005-A01



4-5-0 Runway and Taxiway Turn Paths

**ON A/C A321-100 A321-200 A321neo

Runway and Taxiway Turn Paths

1. Runway and Taxiway Turn Paths.



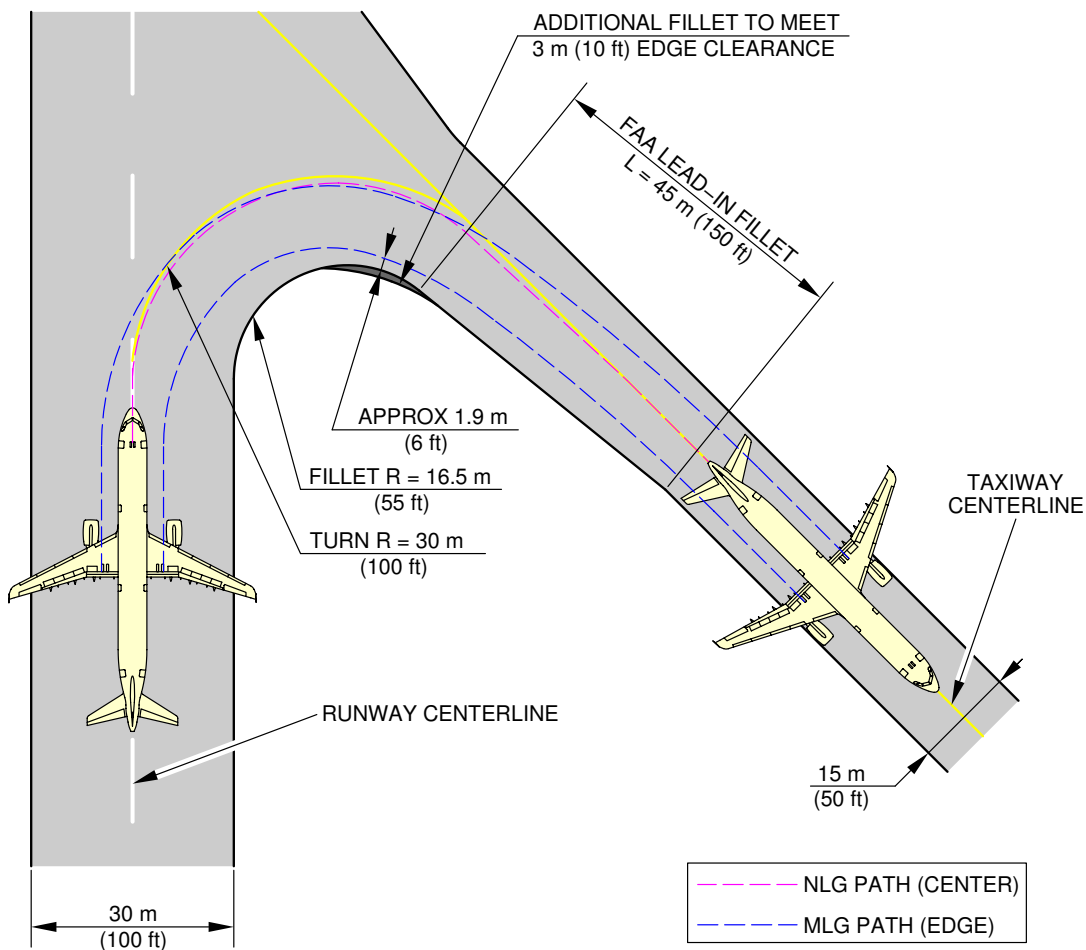
4-5-1 135° Turn - Runway to Taxiway

**ON A/C A321-100 A321-200 A321neo

135° Turn - Runway to Taxiway

1. This section gives the 135° turn - runway to taxiway.

**ON A/C A321-100 A321-200 A321neo

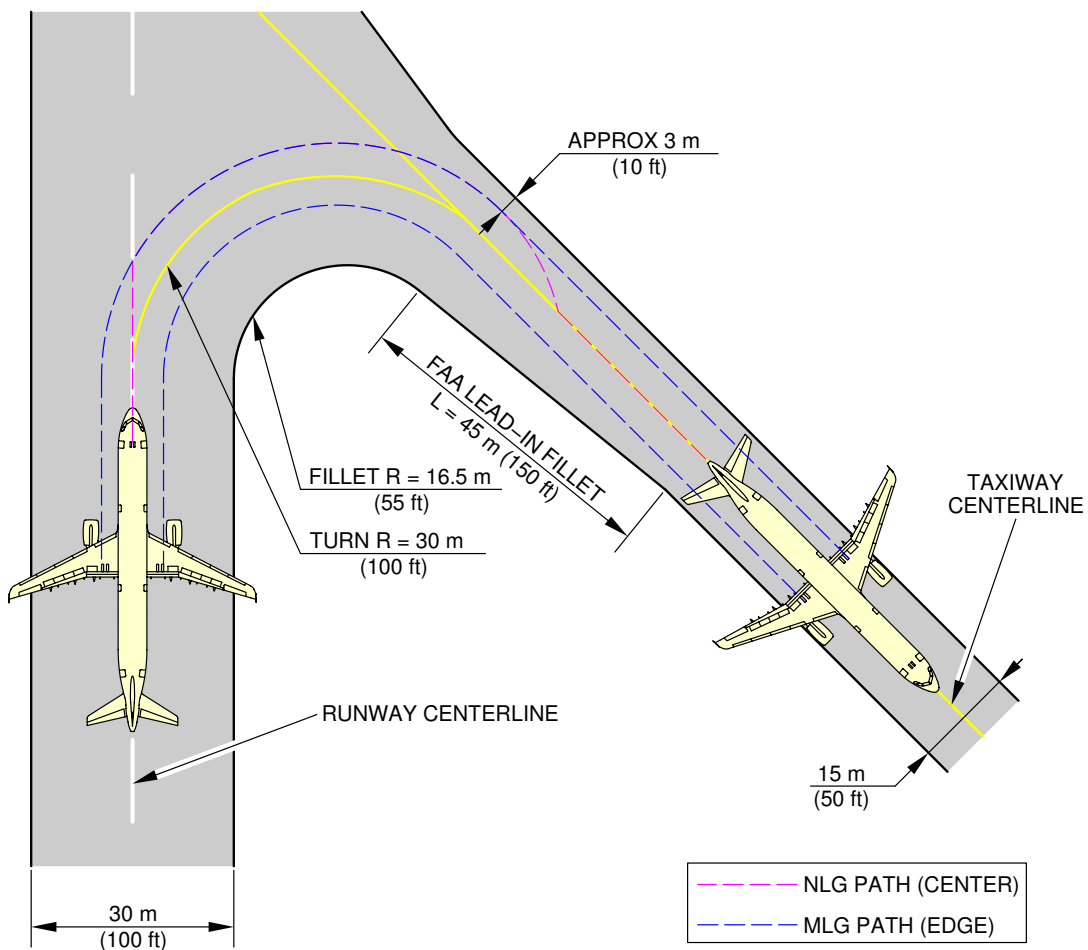


NOTE:
FAA GROUP III FACILITIES.

N_AC_040501_1_0060101_01_03

135° Turn - Runway to Taxiway
Cockpit Over Centerline Method
FIGURE-4-5-1-991-006-A01

**ON A/C A321-100 A321-200 A321neo



NOTE:
FAA GROUP III FACILITIES.

N_AC_040501_1_0070101_01_03

135° Turn - Runway to Taxiway
Judgemental Oversteering Method
FIGURE-4-5-1-991-007-A01



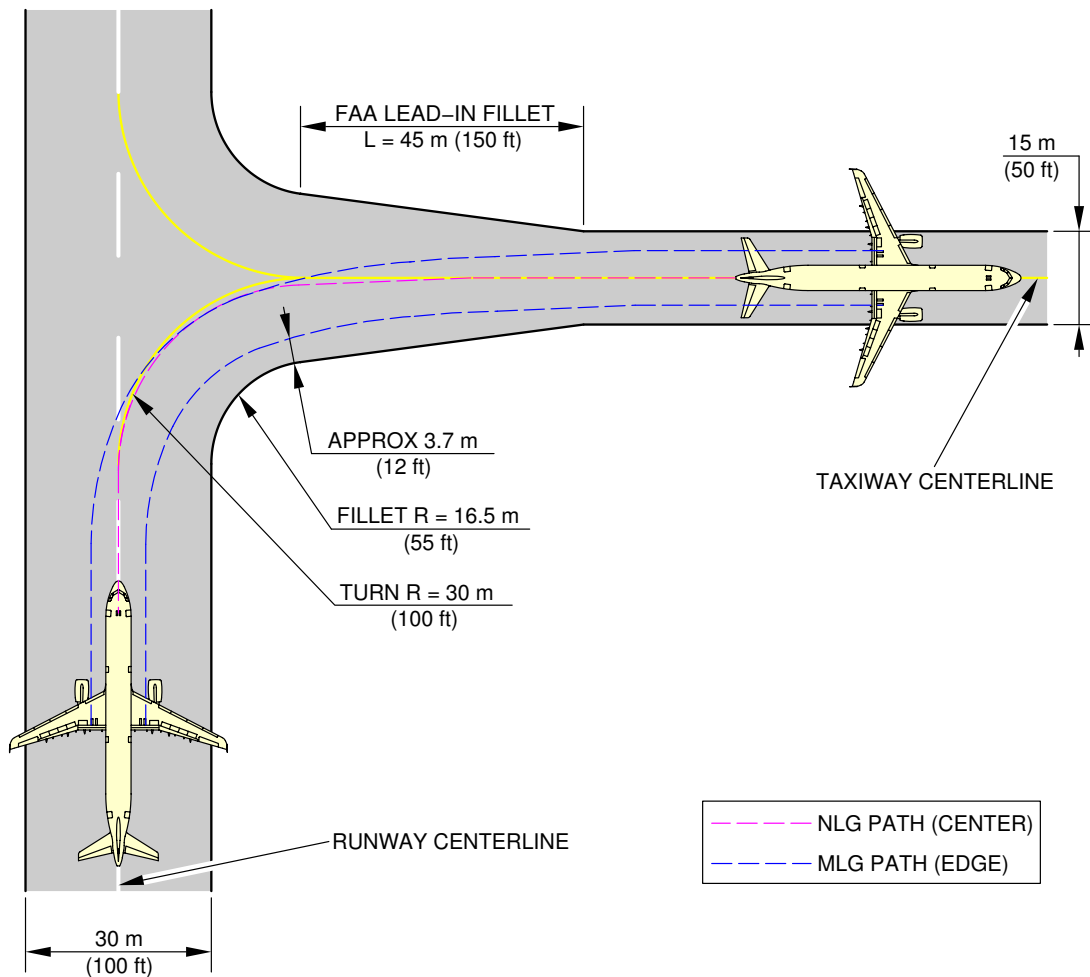
4-5-2 90 ° Turn - Runway to Taxiway

**ON A/C A321-100 A321-200 A321neo

90 ° Turn - Runway to Taxiway

1. This section gives the 90 ° turn - runway to taxiway.

**ON A/C A321-100 A321-200 A321neo

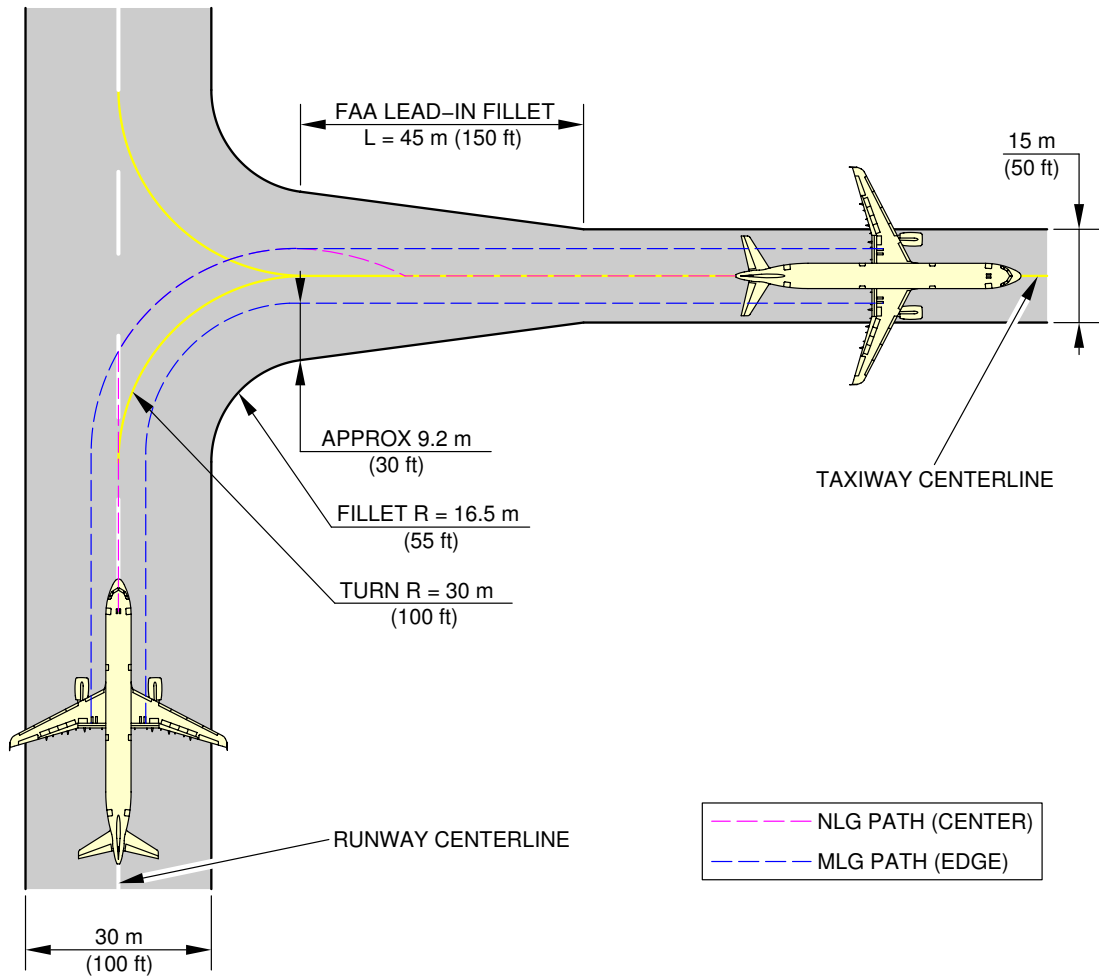


NOTE:
FAA GROUP III FACILITIES.

N_AC_040502_1_0060101_01_03

90° Turn - Runway to Taxiway
Cockpit Over Centerline Method
FIGURE-4-5-2-991-006-A01

**ON A/C A321-100 A321-200 A321neo



NOTE:
FAA GROUP III FACILITIES.

N_AC_040502_1_0070101_01_03

90° Turn - Runway to Taxiway
Judgemental Oversteering Method
FIGURE-4-5-2-991-007-A01



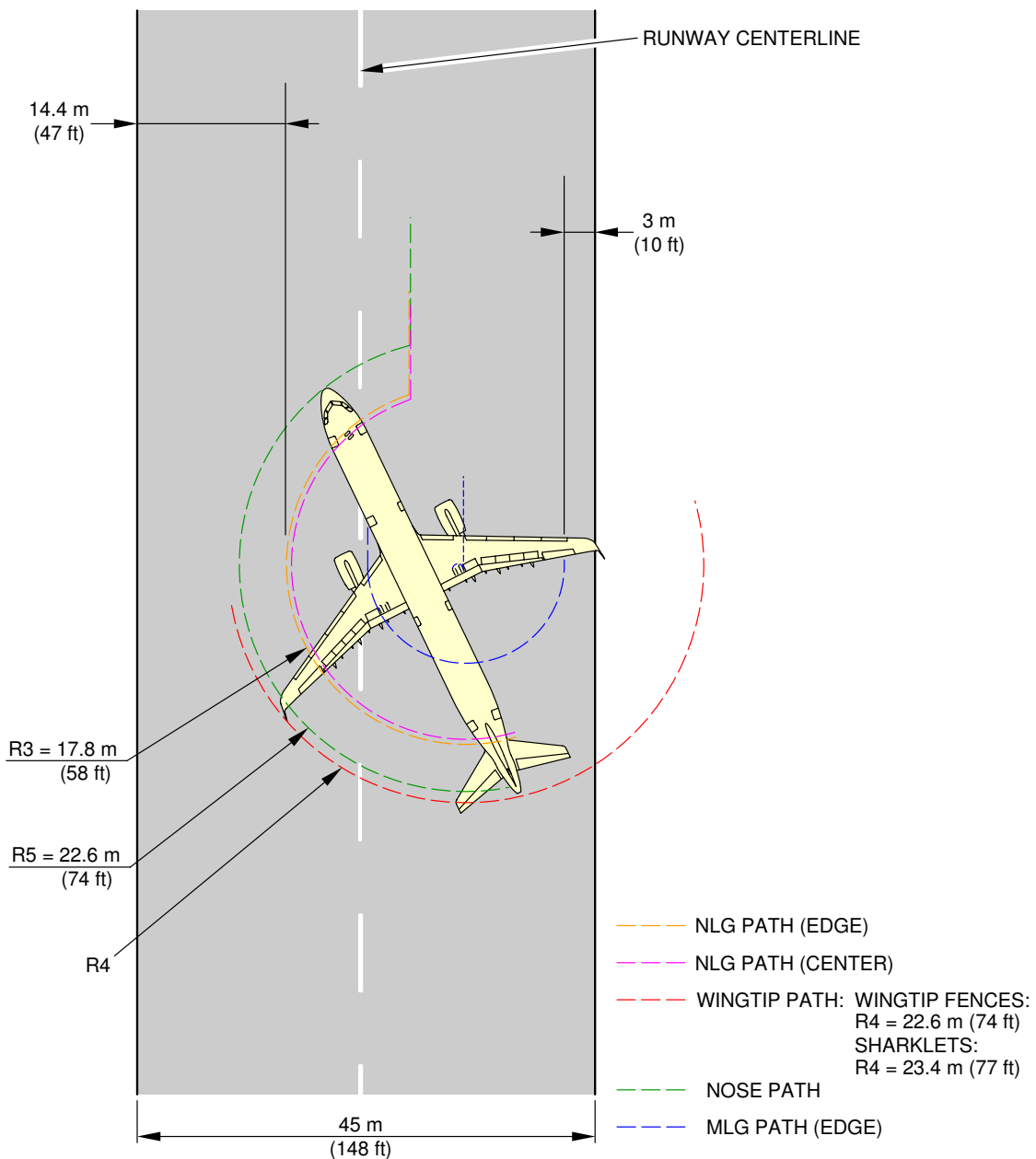
4-5-3 180° Turn on a Runway

****ON A/C A321-100 A321-200 A321neo**

180° Turn on a Runway

1. This section provides the 180° turn on a runway.

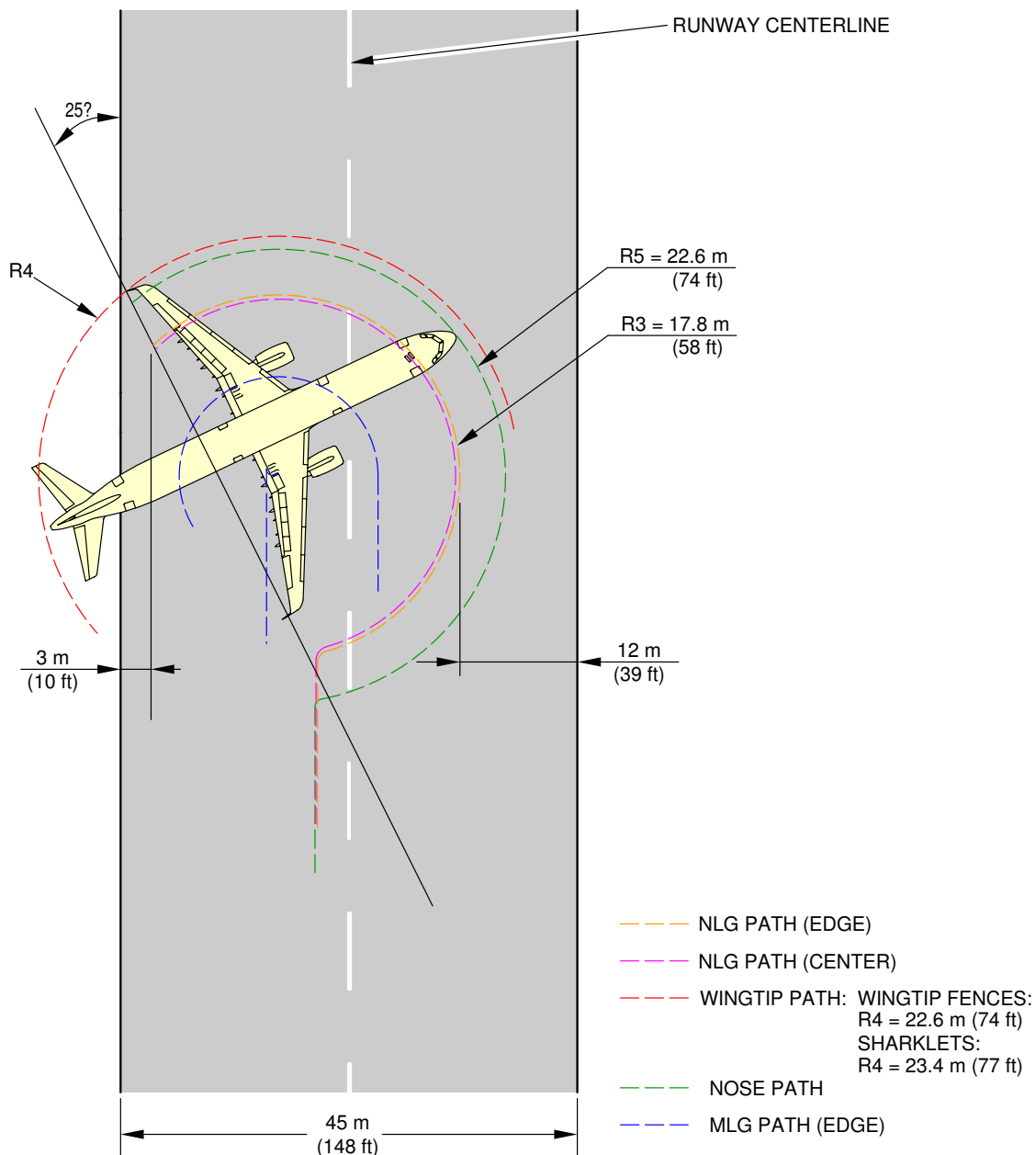
**ON A/C A321-100 A321-200 A321neo



N_AC_040503_1_0020101_01_05

180° Turn on a Runway
Edge of Runway Method (Sheet 1 of 2)
FIGURE-4-5-3-991-002-A01

**ON A/C A321-100 A321-200 A321neo



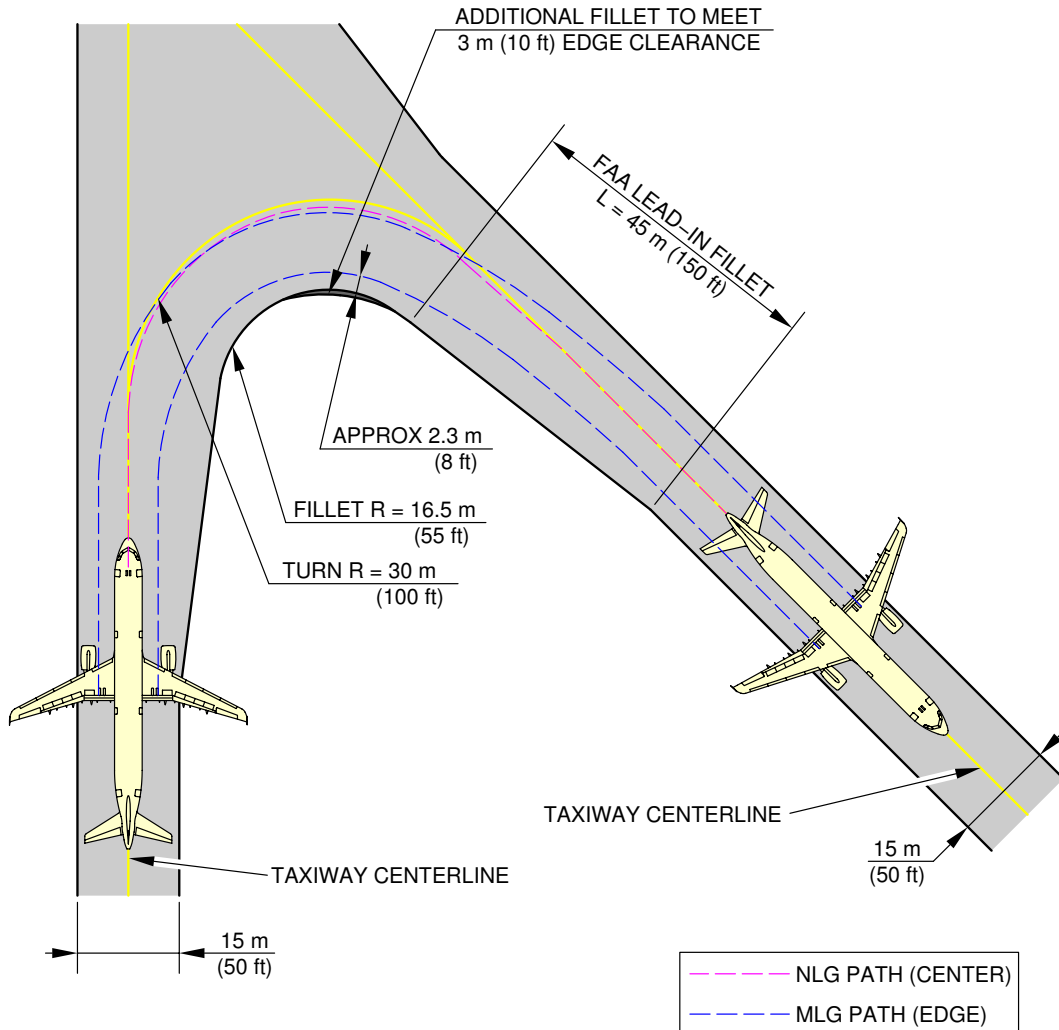
N_AC_040503_1_0020102_01_03

180° Turn on a Runway
Center of Runway Method (Sheet 2 of 2)
FIGURE-4-5-3-991-002-A01

4-5-4 135 ° Turn - Taxiway to Taxiway****ON A/C A321-100 A321-200 A321neo**135 ° Turn - Taxiway to Taxiway

1. This section gives the 135 ° turn - taxiway to taxiway.

**ON A/C A321-100 A321-200 A321neo

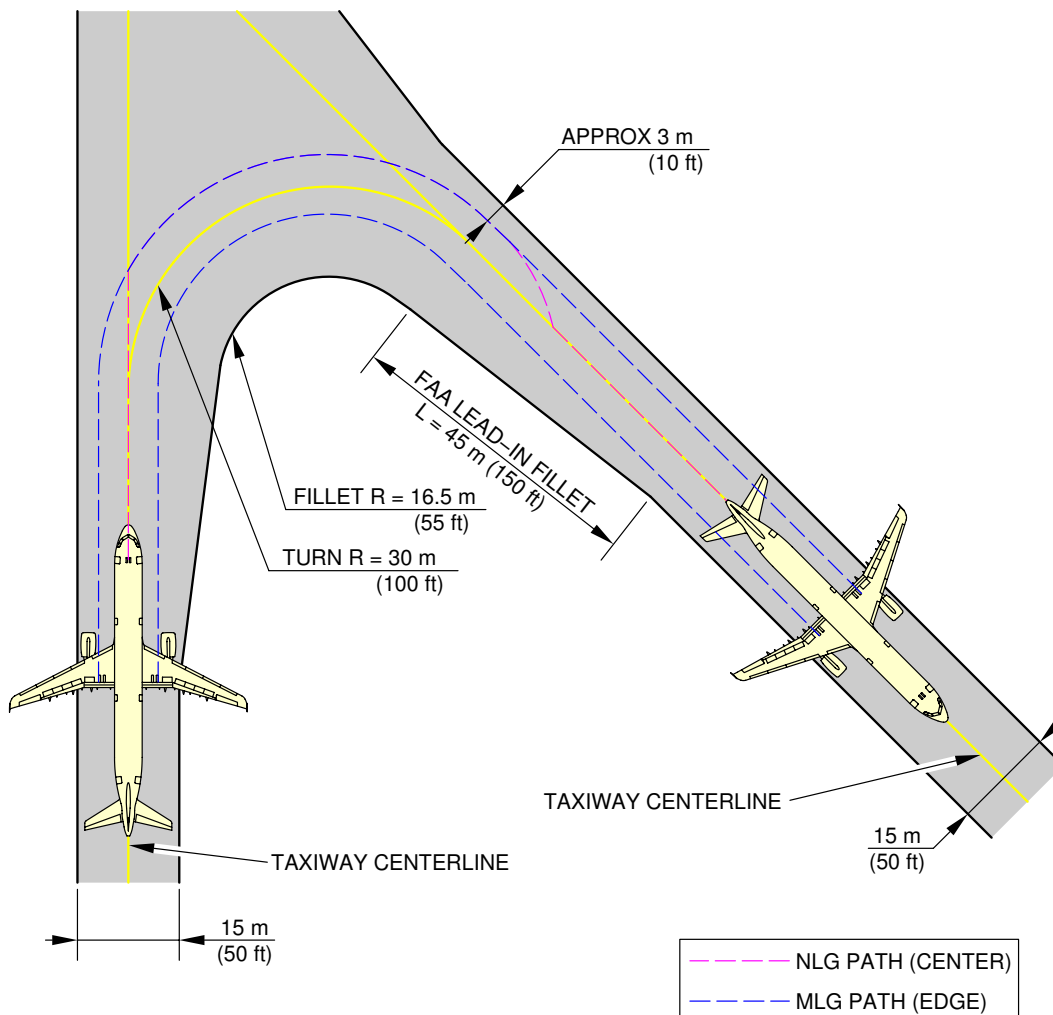


NOTE:
FAA GROUP III FACILITIES.

N_AC_040504_1_0070101_01_01

135° Turn - Taxiway to Taxiway
Cockpit Over Centerline Method (Sheet 1 of 2)
FIGURE-4-5-4-991-007-A01

**ON A/C A321-100 A321-200 A321neo



NOTE:
FAA GROUP III FACILITIES.

N_AC_040504_1_0070102_01_01

135° Turn - Taxiway to Taxiway
Judgemental Oversteering Method (Sheet 2 of 2)
FIGURE-4-5-4-991-007-A01



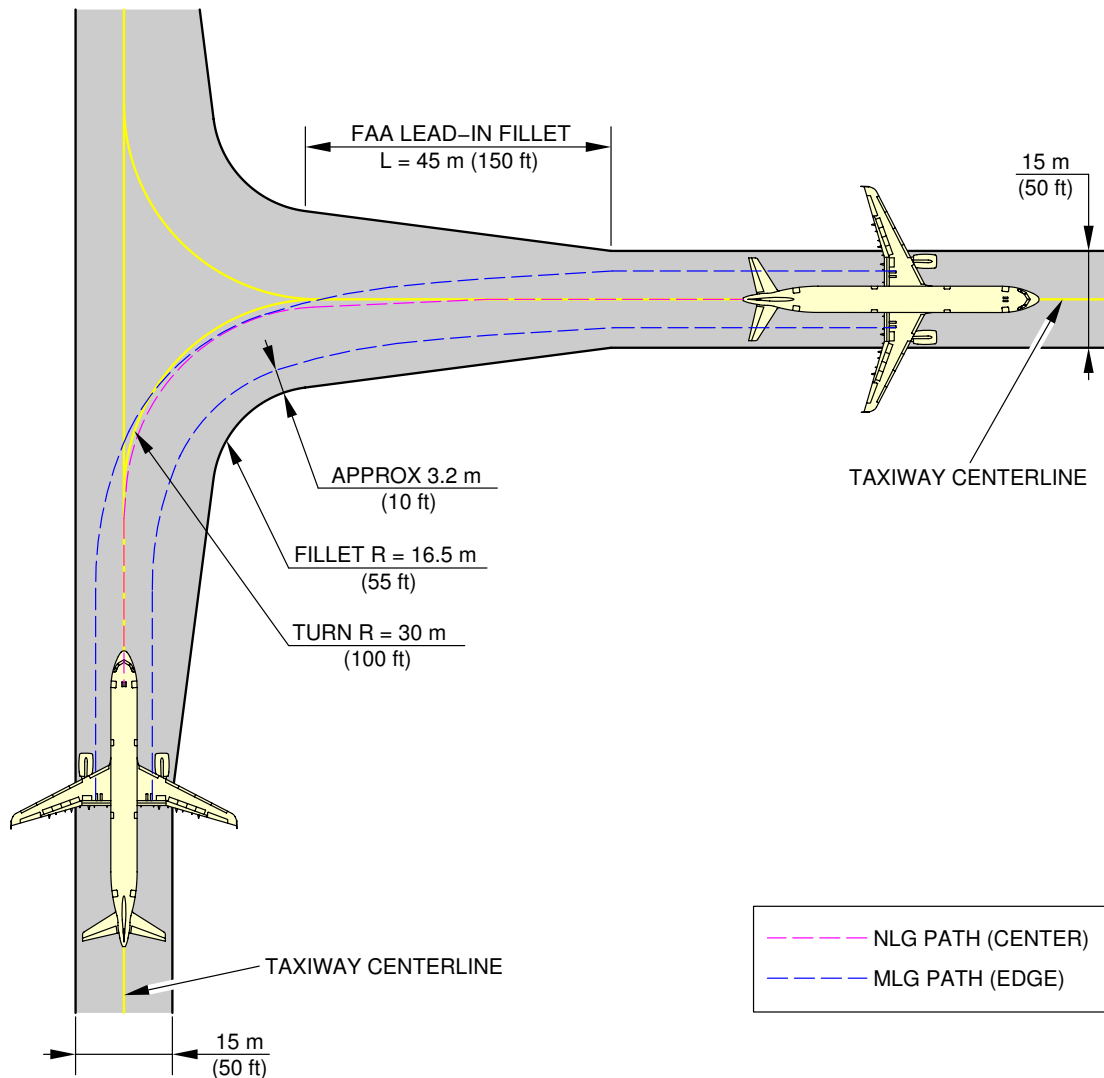
4-5-5 90° Turn - Taxiway to Taxiway

**ON A/C A321-100 A321-200 A321neo

90° Turn - Taxiway to Taxiway

1. This section gives the 90° turn - taxiway to taxiway.

**ON A/C A321-100 A321-200 A321neo

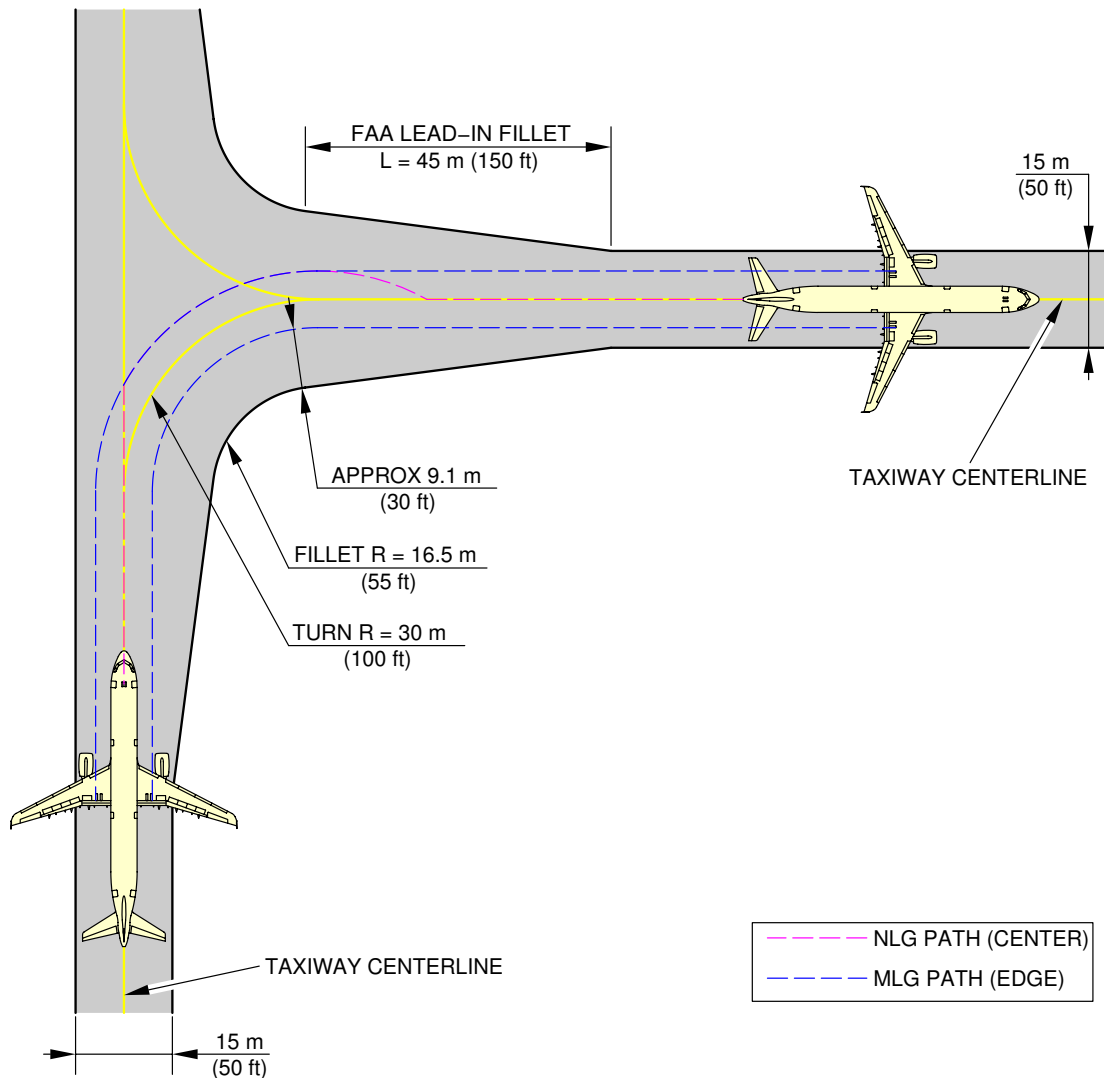


NOTE:
FAA GROUP III FACILITIES.

N_AC_040505_1_0040101_01_01

90° Turn - Taxiway to Taxiway
Cockpit Over Centerline Method (Sheet 1 of 2)
FIGURE-4-5-5-991-004-A01

**ON A/C A321-100 A321-200 A321neo



NOTE:
FAA GROUP III FACILITIES.

N_AC_040505_1_0040102_01_01

90° Turn - Taxiway to Taxiway
Judgemental Oversteering Method (Sheet 2 of 2)
FIGURE-4-5-5-991-004-A01



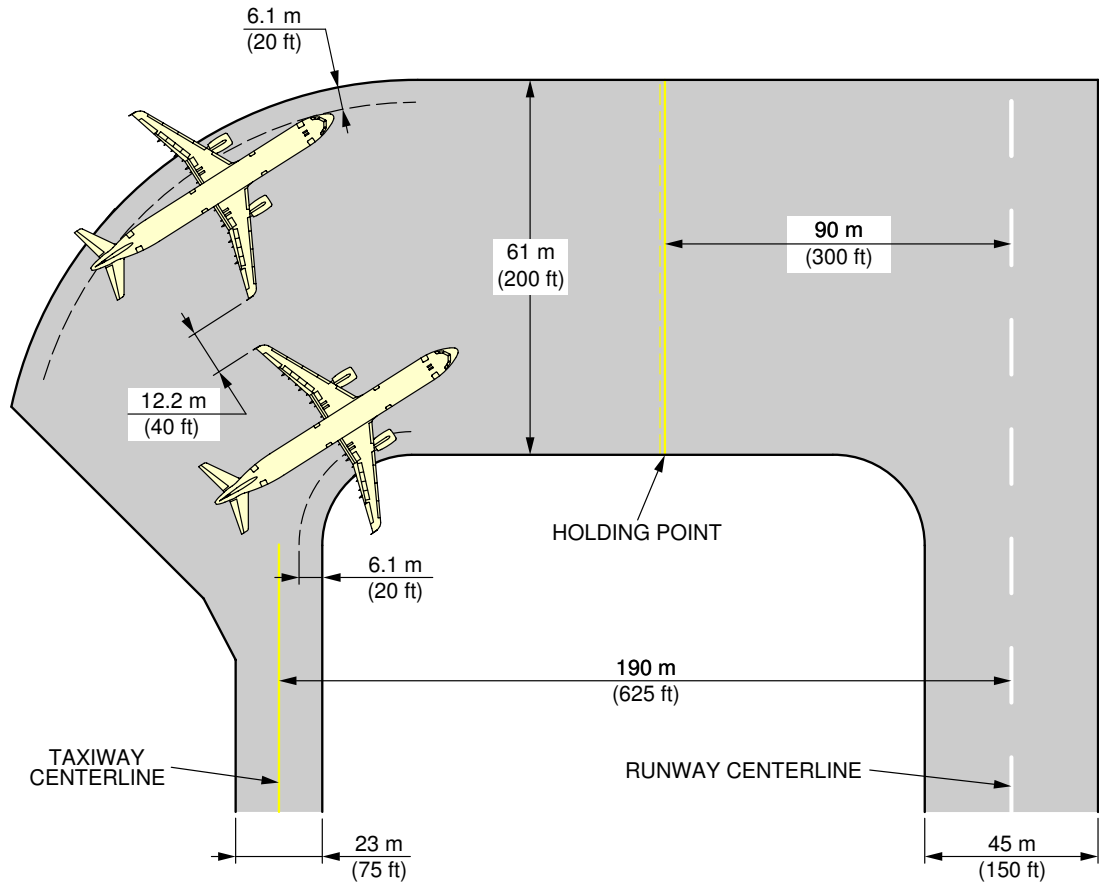
4-6-0 Runway Holding Bay (Apron)

****ON A/C A321-100 A321-200 A321neo**

Runway Holding Bay (Apron)

1. This section gives the runway holding bay (Apron).

****ON A/C A321-100 A321-200 A321neo**



NOTE: APPLICABLE FOR A321-100 AND A321-200.

N_AC_040600_1_0040101_01_02

Runway Holding Bay (Apron)
FIGURE-4-6-0-991-004-A01

4-7-0 Minimum Line-Up Distance Corrections

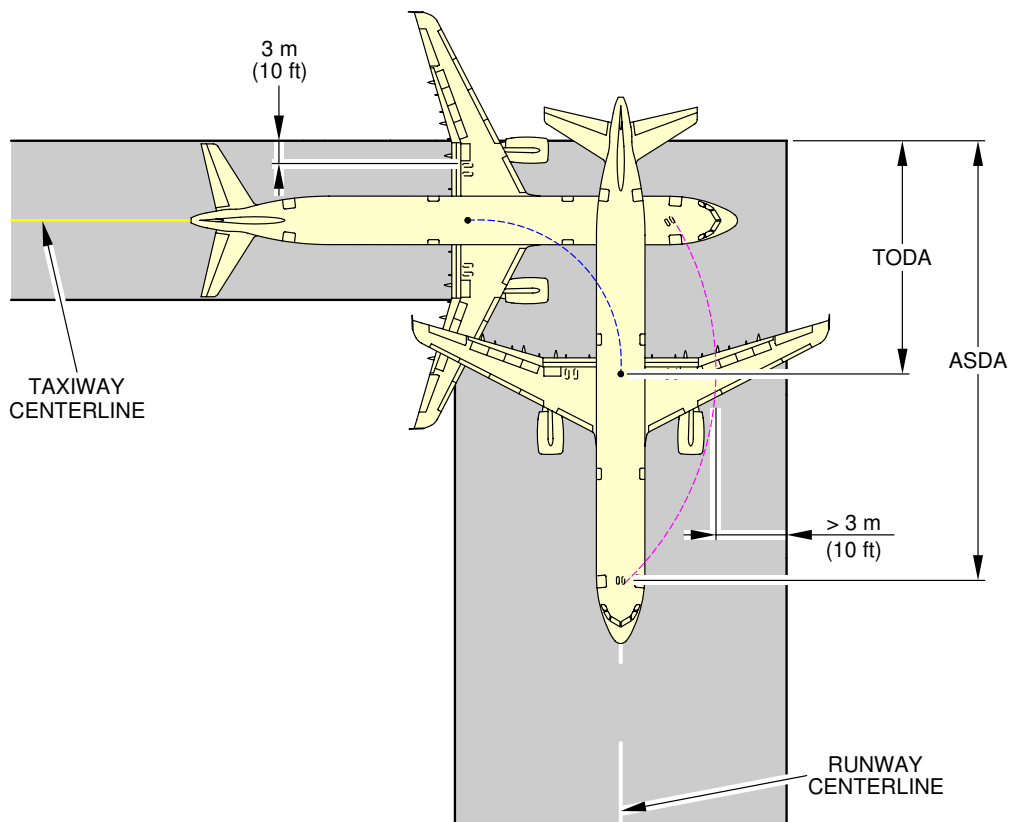
****ON A/C A321-100 A321-200 A321neo**

Minimum Line-Up Distance Corrections

1. The ground maneuvers were performed using asymmetric thrust and differential braking only to initiate the turn.
TODA: Take-Off Distance Available
ASDA: Acceleration-Stop Distance Available
2. 90° Turn on Runway Entry
This section gives the minimum line-up distance correction for a 90° turn on runway entry. This maneuver consists in a 90° turn at minimum turn radius. It starts with the edge of the MLG at a distance of 3 m (10 ft) from the taxiway edge, and finishes with the aircraft aligned on the centerline of the runway, see FIGURE 4-7-0-991-020-A.
During the turn, all the clearances must meet the minimum value of 3 m (10 ft) for this category of aircraft as recommended in ICAO Annex 14.
3. 180° Turn on Runway Turn Pad
This section gives the minimum line-up distance correction for a 180° turn on the runway turn pad. This maneuver consists in a 180° turn at minimum turn radius on a runway turn pad with standard ICAO geometry.
It starts with the edge of the MLG at a distance of 3 m (10 ft) from the pavement edge, and it finishes with the aircraft aligned on the centerline of the runway, see FIGURE 4-7-0-991-021-A.
During the turn, all the clearances must meet the minimum value of 3 m (10 ft) for this category of aircraft as recommended in ICAO Annex 14.
4. 180° Turn on Runway Width
This section gives the minimum line-up distance correction for a 180° turn on the runway width. For this maneuver, the pavement width is considered to be the runway width, which is a frozen parameter (30 m (100 ft), 45 m (150 ft) and 60 m (200 ft)).
As per the standard operating procedures for the "180° turn on runway" (described in the Flight Crew Operating Manual), the aircraft is initially angled with respect to the runway centerline when starting the 180° turn, see FIGURE 4-7-0-991-022-A.
The value of this angle depends on the aircraft type and is mentioned in the FCOM.
During the turn, all the clearances must meet the minimum value of 3 m (10 ft) for this category of aircraft as recommended in ICAO Annex 14.

NOTE : The minimum line-up distances may need a steering angle lower than the maximum one.

**ON A/C A321-100 A321-200 A321neo



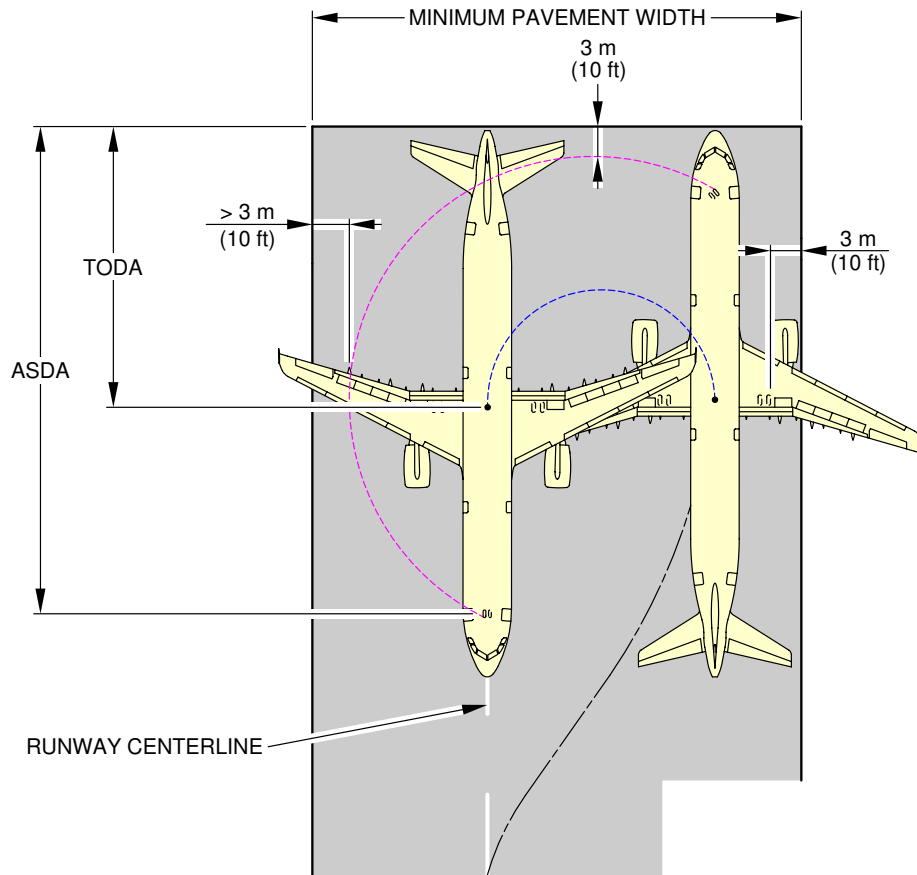
--- ASDA: ACCELERATION-STOP DISTANCE AVAILABLE
 --- TODA: TAKE-OFF DISTANCE AVAILABLE

90° TURN ON RUNWAY ENTRY									
AIRCRAFT TYPE	MAX STEERING ANGLE	30 m (100 ft) WIDE RUNWAY				45 m (150 ft)/60 m (200 ft) WIDE RUNWAY			
		MINIMUM LINE-UP DISTANCE CORRECTION				MINIMUM LINE-UP DISTANCE CORRECTION			
		ON TODA		ON ASDA		ON TODA		ON ASDA	
A321	75°	13.9 m	46 ft	30.8 m	101 ft	12.6 m	41 ft	29.5 m	97 ft

N_AC_040700_1_0200101_01_00

Minimum Line-Up Distance Corrections
 90° Turn on Runway Entry
 FIGURE-4-7-0-991-020-A01

**ON A/C A321-100 A321-200 A321neo



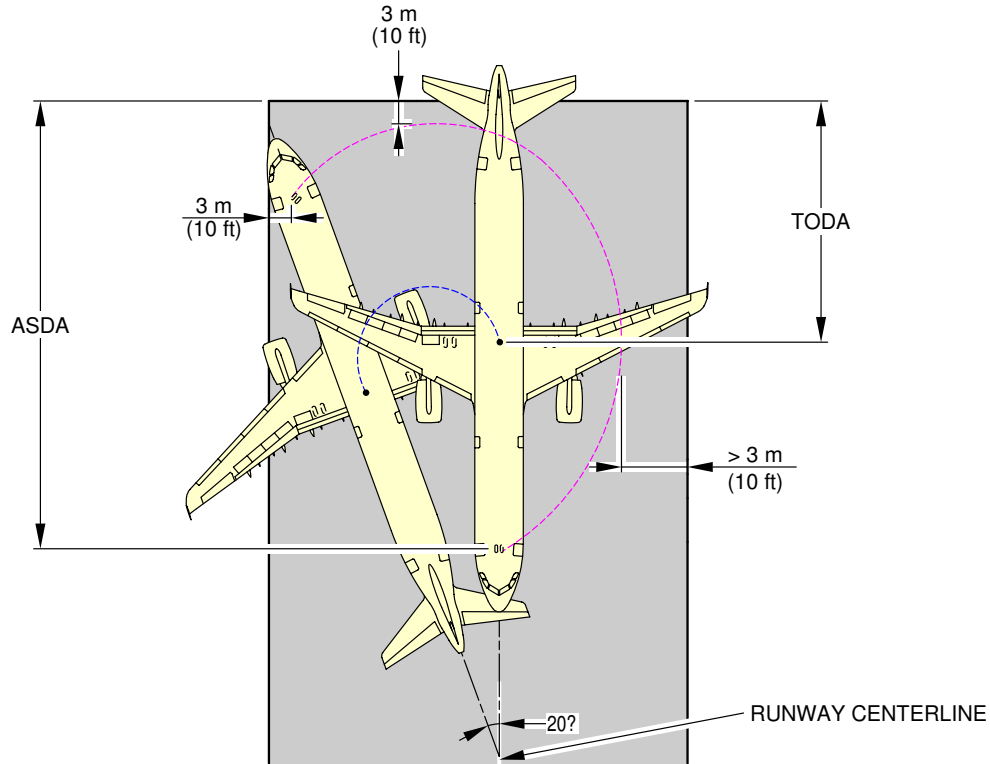
--- ASDA: ACCELERATION-STOP DISTANCE AVAILABLE
 --- TODA: TAKE-OFF DISTANCE AVAILABLE

180° TURN ON RUNWAY TURN PAD													
AIRCRAFT TYPE	MAX STEERING ANGLE	30 m (100 ft) WIDE RUNWAY						45 m (150 ft)/60 m (200 ft) WIDE RUNWAY					
		MINIMUM LINE-UP DISTANCE CORRECTION				REQUIRED MINIMUM PAVEMENT WIDTH		MINIMUM LINE-UP DISTANCE CORRECTION				REQUIRED MINIMUM PAVEMENT WIDTH	
		ON TODA		ON ASDA				ON TODA		ON ASDA			
A321	75°	21.4 m	70 ft	38.3 m	126 ft	35.3 m	116 ft	21 m	69 ft	37.9 m	124 ft	40.3 m	132 ft

N_AC_040700_1_0210101_01_00

Minimum Line-Up Distance Corrections
 180° Turn on Runway Turn Pad
 FIGURE-4-7-0-991-021-A01

****ON A/C A321-100 A321-200 A321neo**



--- ASDA: ACCELERATION-STOP DISTANCE AVAILABLE
--- TODA: TAKE-OFF DISTANCE AVAILABLE

180° TURN ON RUNWAY WIDTH							
AIRCRAFT TYPE	MAX STEERING ANGLE	30 m (100 ft) WIDE RUNWAY		45 m (150 ft)/60 m (200 ft) WIDE RUNWAY			
		MINIMUM LINE-UP DISTANCE CORRECTION		MINIMUM LINE-UP DISTANCE CORRECTION			
		ON TODA	ON ASDA	ON TODA	ON ASDA	ON TODA	ON ASDA
A321	75°	NOT POSSIBLE		21.0 m	69 ft	37.9 m	124 ft

NOTE:

"NOT POSSIBLE" MEANS THAT IT IS NOT POSSIBLE FOR THE AIRCRAFT TO TURN ON SUCH A RUNWAY WIDTH WITH THE GIVEN ASSUMPTIONS DEFINED IN THIS SECTION (4-7-0) WHILE MAINTAINING THE MINIMUM 3 m (10 ft) MARGIN RECOMMENDED BY ICAO

N_AC_040700_1_0220101_01_00

Minimum Line-Up Distance Corrections
 180° Turn on Runway Width
 FIGURE-4-7-0-991-022-A01



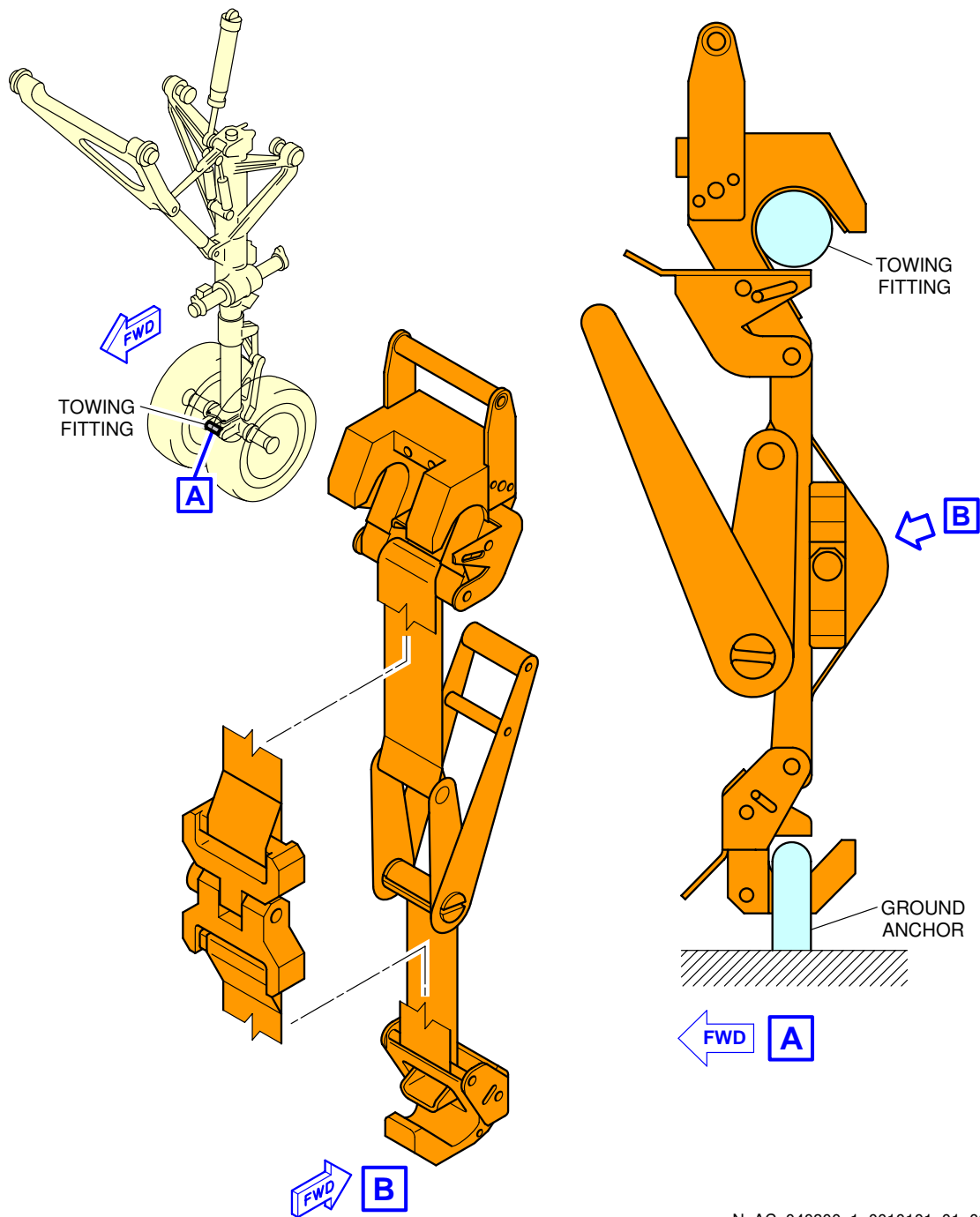
4-8-0 Aircraft Mooring

**ON A/C A321-100 A321-200 A321neo

Aircraft Mooring

1. This section provides information on aircraft mooring.

**ON A/C A321-100 A321-200 A321neo



N_AC_040800_1_0010101_01_00

Aircraft Mooring
FIGURE-4-8-0-991-001-A01

TERMINAL SERVICING

5-1-1 Aircraft Servicing Arrangements

****ON A/C A321-100 A321-200 A321neo**Aircraft Servicing Arrangements

1. This section provides typical ramp layouts, showing the various GSE items in position during typical turn-round scenarios.

These ramp layouts show typical arrangements only. Each operator will have its own specific requirements/regulations for positioning and operation on the ramp.

This table gives the symbols used on servicing diagrams.

Ground Support Equipment	
AC	AIR CONDITIONING UNIT
AS	AIR START UNIT
BULK	BULK TRAIN
CAT	CATERING TRUCK
CB	CONVEYOR BELT
CLEAN	CLEANING TRUCK
FUEL	FUEL HYDRANT DISPENSER or TANKER
GPU	GROUND POWER UNIT
LDCL	LOWER DECK CARGO LOADER
LV	LAVATORY VEHICLE
PBB	PASSENGER BOARDING BRIDGE
PS	PASSENGER STAIRS
TOW	TOW TRACTOR
ULD	ULD TRAIN
WV	POTABLE WATER VEHICLE

5-1-2 Typical Ramp Layout - Open Apron

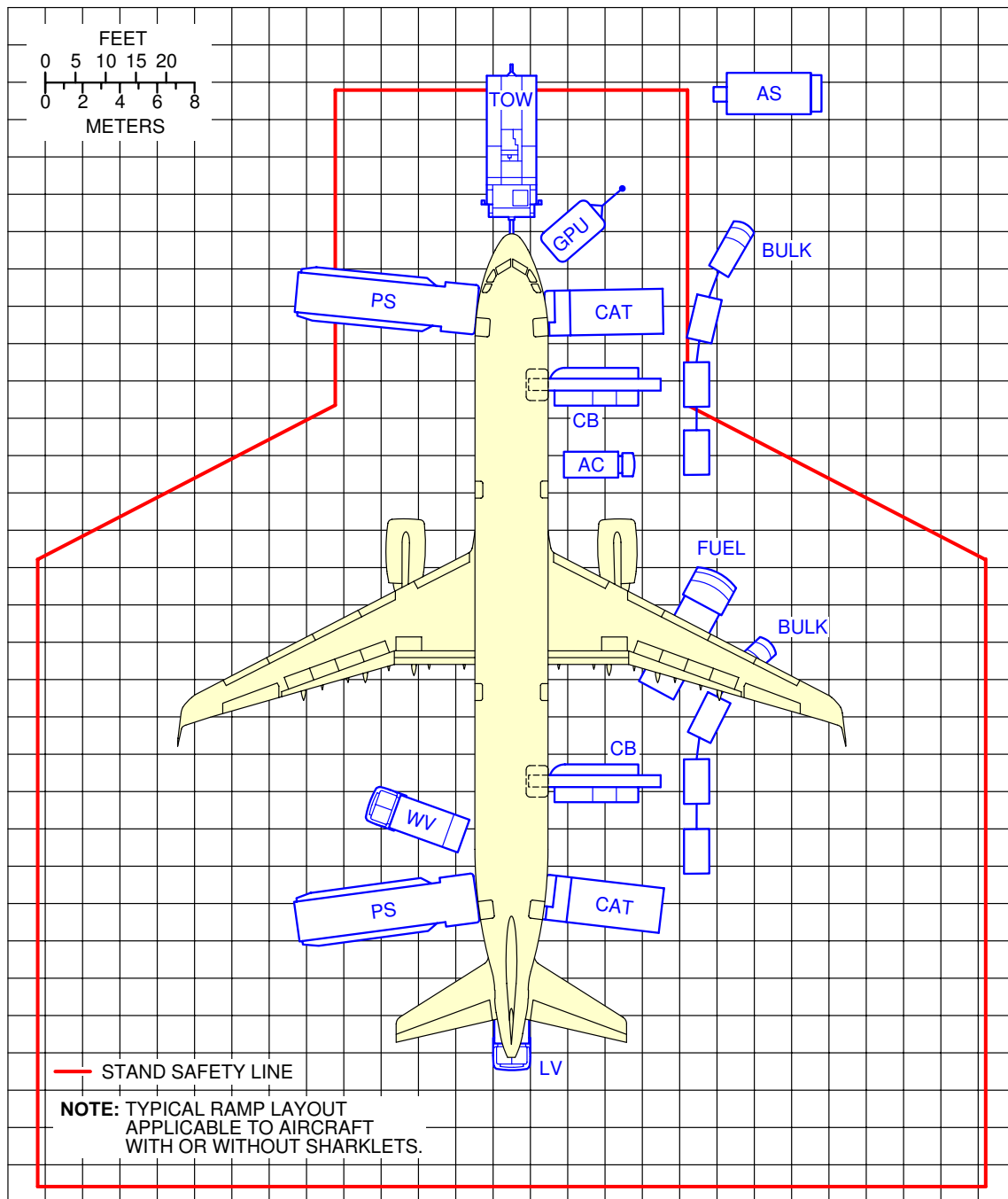
****ON A/C A321-100 A321-200 A321neo**

Typical Ramp Layout - Open Apron

1. This section gives the typical servicing arrangement for pax version (Open Apron).

The Stand Safety Line delimits the Aircraft Safety Area (minimum distance of 7.5 m from the aircraft). No vehicle must be parked in this area before complete stop of the aircraft (wheel chocks in position on landing gears).

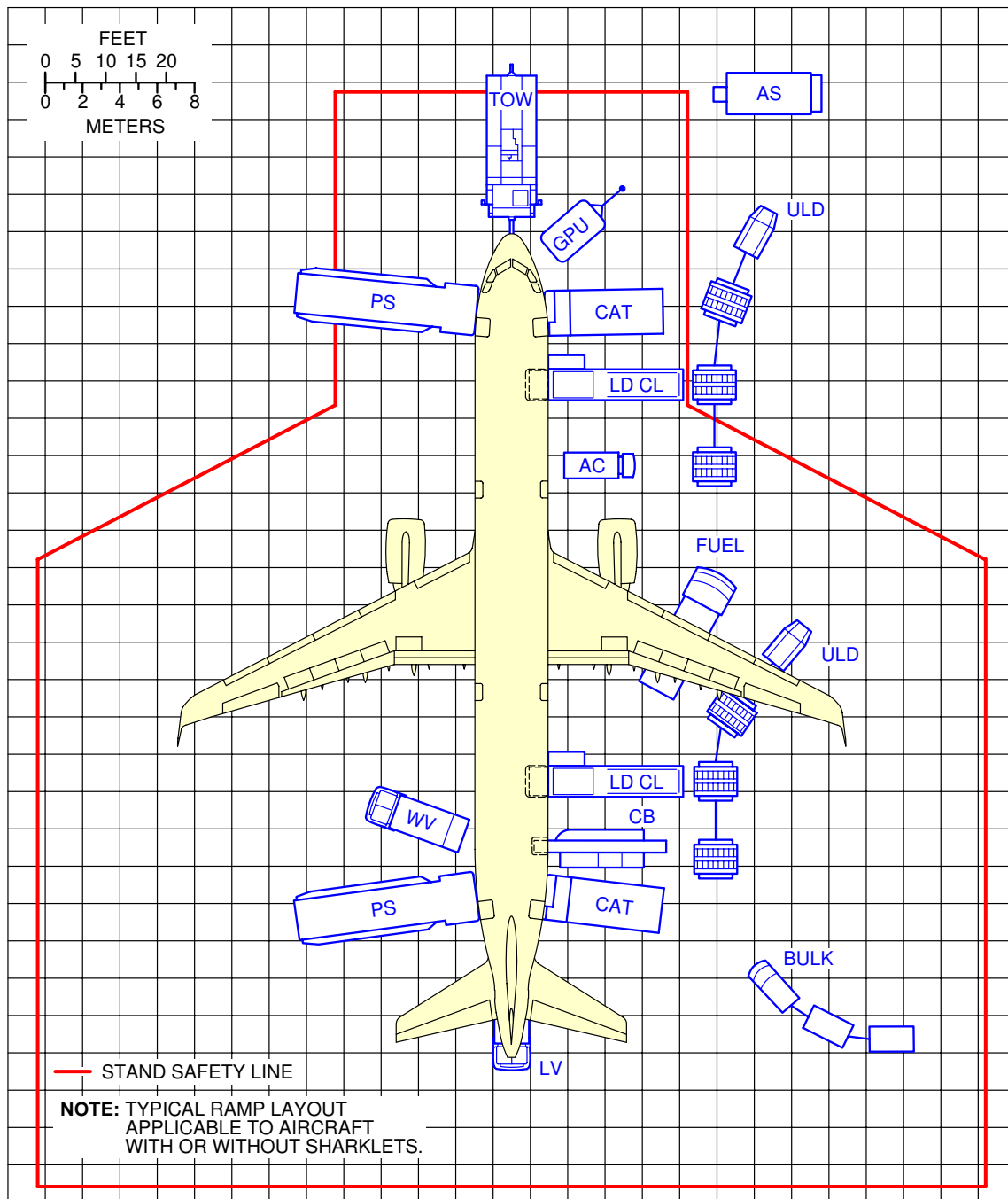
**ON A/C A321-100 A321-200 A321neo



N_AC_050102_1_0050101_01_03

Typical Ramp Layout
Open Apron - Bulk Loading
FIGURE-5-1-2-991-005-A01

**ON A/C A321-100 A321-200 A321neo



N_AC_050102_1_0100101_01_00

Typical Ramp Layout
Open Apron - ULD Loading
FIGURE-5-1-2-991-010-A01

5-1-3 Typical Ramp Layout - Gate

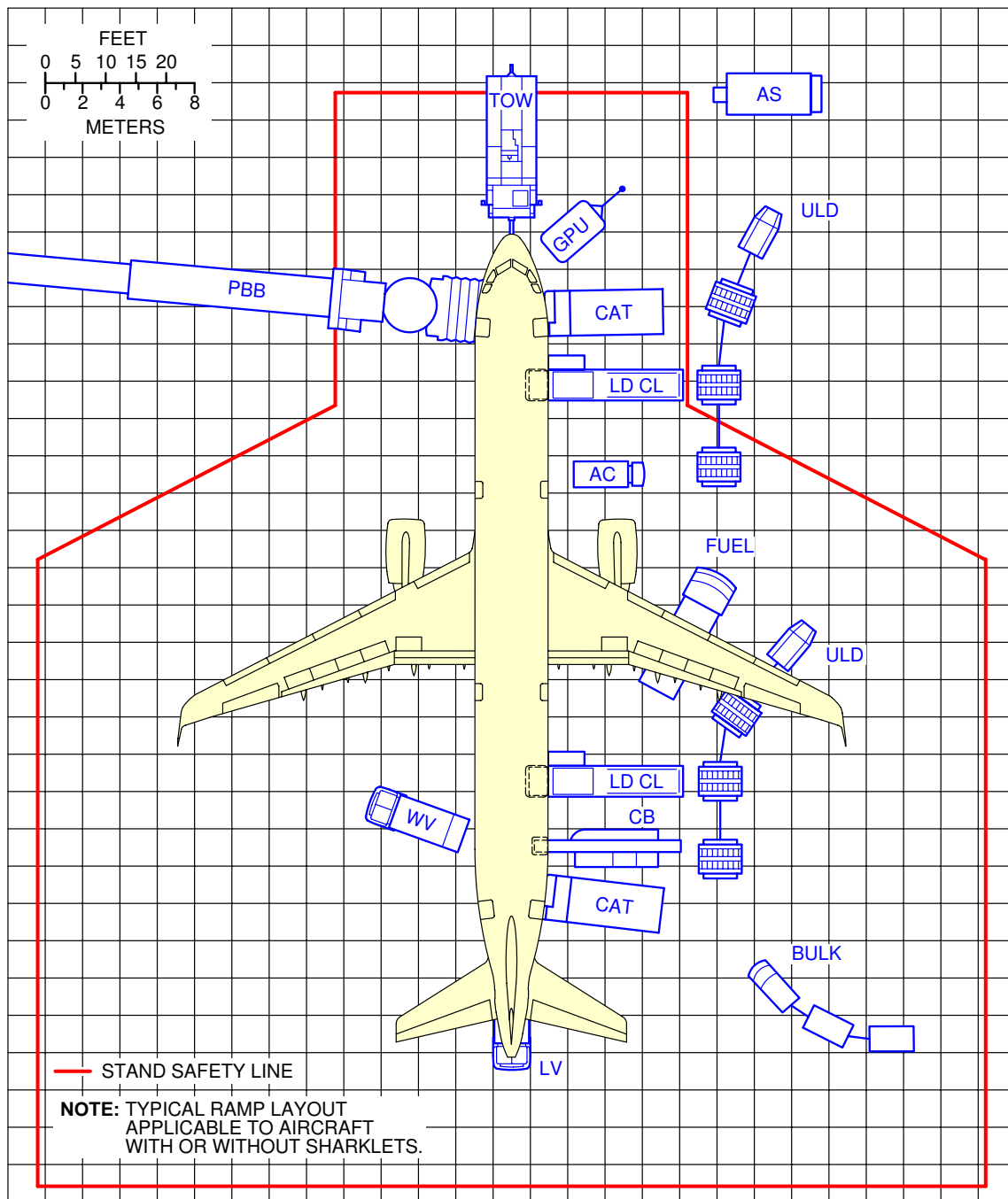
****ON A/C A321-100 A321-200 A321neo**

Typical Ramp Layout - Gate

1. This section gives the typical servicing arrangement for pax version (Passenger Bridge).

The Stand Safety Line delimits the Aircraft Safety Area (minimum distance of 7.5 m from the aircraft). No vehicle must be parked in this area before complete stop of the aircraft (wheel chocks in position on landing gears).

**ON A/C A321-100 A321-200 A321neo



N_AC_050103_1_0030101_01_03

Typical Ramp Layout
Gate
FIGURE-5-1-3-991-003-A01

5-2-0 Terminal Operations - Full Servicing Turn Round Time Chart****ON A/C A321-100 A321-200 A321neo**Terminal Operations - Full Servicing Turn Round Time

1. This section provides a typical turn round time chart showing the typical time for ramp activities during aircraft turn round.
Actual times may vary due to each operator's specific practices, resources, equipment and operating conditions.
2. Assumptions used for full servicing turn round time chart
FIGURE 5-2-0-991-007-A
 - A. PASSENGER HANDLING
185 pax: 16 F/C + 169 Y/C.
All passengers deplane and board the aircraft.
1 Passenger Boarding Bridge (PBB) used at door 1L.
Equipment positioning + opening door = +2 min.
Closing door + equipment removal = +1.5 min.
No Passenger with Reduced Mobility (PRM) on board.
Deplaning:
 - 185 pax at door 1L
 - Deplaning rate = 20 pax/min
 - Priority deplaning for premium passengers.Boarding:
 - 185 pax at door 1L
 - Boarding rate = 12 pax/min
 - Last Pax Seating allowance (LPS) + headcounting = +2 min.
 - B. CARGO
2 cargo loaders + 1 belt loader.
Opening door + equipment positioning = +2 min.
Equipment removal + closing door = +1.5 min.
100% cargo exchange (baggage only):
 - FWD cargo compartment: 5 containers
 - AFT cargo compartment: 5 containers
 - Bulk compartment: 500 kg (1 102 lb).Container unloading/loading times:
 - Unloading = 1.5 min/container
 - Loading = 1.5 min/container.Bulk unloading/loading times:
 - Unloading = 150 kg/min (331 lb/min)
 - Loading = 120 kg/min (265 lb/min).
 - C. REFUELING
20 000 l (5 283 US gal) at 50 psig (3.45 bars-rel), one hose (right wing).

Dispenser positioning/removal + connection/disconnection times = +2.5 min.

D. CLEANING

Cleaning is performed in available time.

E. CATERING

1 catering truck for servicing galleys sequentially at doors 1R and 4R.

Equipment positioning + opening door = +2 min.

Closing door + equipment removal = +1.5 min.

Time to drive from one door to the other = +2 min.

Full Size Trolley Equivalent (FSTE) to unload and load: 14 FSTE

- 4 FSTE at door 1R

- 10 FSTE at door 4R.

Time for trolley exchange = 1.2 min per FSTE.

F. GROUND HANDLING/GENERAL SERVICING

Start of operations:

- Bridges/stairs: $t_0 = 0$

- Other equipment: $t = t_0 + 1$ min.

Ground Power Unit (GPU): up to 90 kVA.

Air conditioning: one hose.

Potable water servicing: 100% uplift, 200 l (53 US gal).

Toilet servicing: draining + rinsing.

****ON A/C A321neo**

3. Assumptions used for full servicing turn round time chart for A321NEO-ACF
FIGURE 5-2-0-991-009-A

A. PASSENGER HANDLING

202 pax (all Y/C).

All passengers deplane and board the aircraft.

1 PBB used at door 1L.

Equipment positioning + opening door = +2 min.

Closing door + equipment removal = +1.5 min.

No PRM on board.

Deplaning:

- 202 pax at door 1L

- Deplaning rate = 20 pax/min

Boarding:

- 202 pax at door 1L

- Boarding rate = 12 pax/min

- LPS allowance + headcounting = +2 min.

B. CARGO

2 cargo loaders + 1 belt loader.

Opening door + equipment positioning = +2 min.

Equipment removal + closing door = +1.5 min.

100% cargo exchange (baggage only):

- FWD cargo compartment: 5 containers
- AFT cargo compartment: 5 containers
- Bulk compartment: 500 kg (1 102 lb).

Container unloading/loading times:

- Unloading = 1.5 min/container
- Loading = 1.5 min/container.

Bulk unloading/loading times:

- Unloading = 150 kg/min (331 lb/min)
- Loading = 120 kg/min (265 lb/min).

C. REFUELING

20 000 l (5 283 US gal) at 50 psig (3.45 bars-rel), one hose (right wing).

No optional coupling.

Dispenser positioning/removal + connection/disconnection times = +2.5 min.

Refuelling with passengers on board: No

D. CLEANING

Cleaning is performed in available time.

E. CATERING

1 catering truck for servicing galleys sequentially at doors 1R and 4R.

Equipment positioning + opening door = +2 min.

Closing door + equipment removal = +1.5 min.

Time to drive from one door to the other = +2 min.

FSTE to unload and load: 11 FSTE

- 4 FSTE at door 1R
- 7 FSTE at door 4R.

Time for trolley exchange = 1.2 min per FSTE.

Maximum catering time = +13.2 min.

F. GROUND HANDLING/GENERAL SERVICING

Start of operations:

- Bridges/stairs: $t_0 = 0$
- Other equipment: $t = t_0 + 1$ min.

Ground Power Unit (GPU): up to 90 kVA.

Air conditioning: one hose.

Potable water servicing: 100% uplift, 200 l (53 US gal).

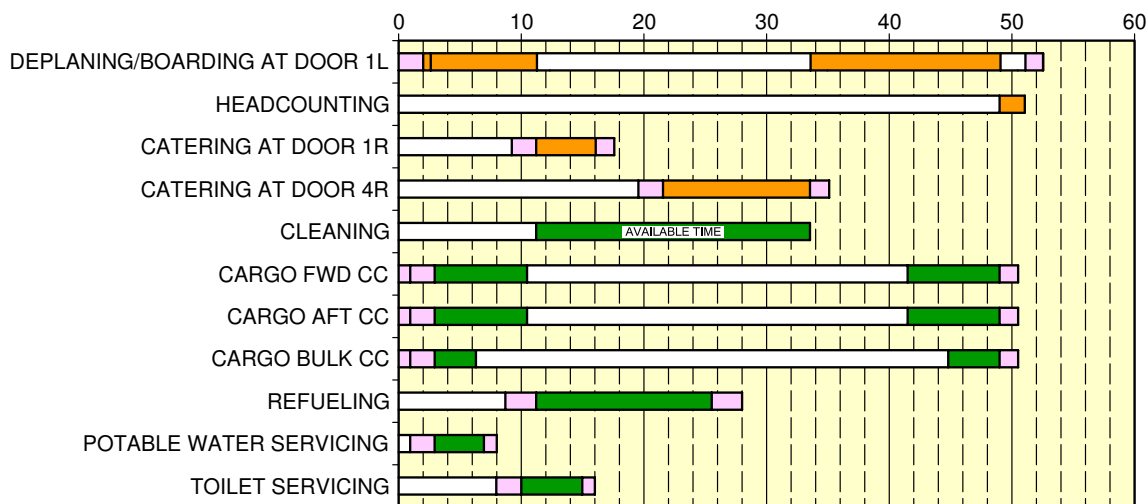
Toilet servicing: draining + rinsing.

G. SECURITY/SAFETY CHECKS

No security or safety checks are applicable.

**ON A/C A321-100 A321-200 A321neo

TRT: 52 min

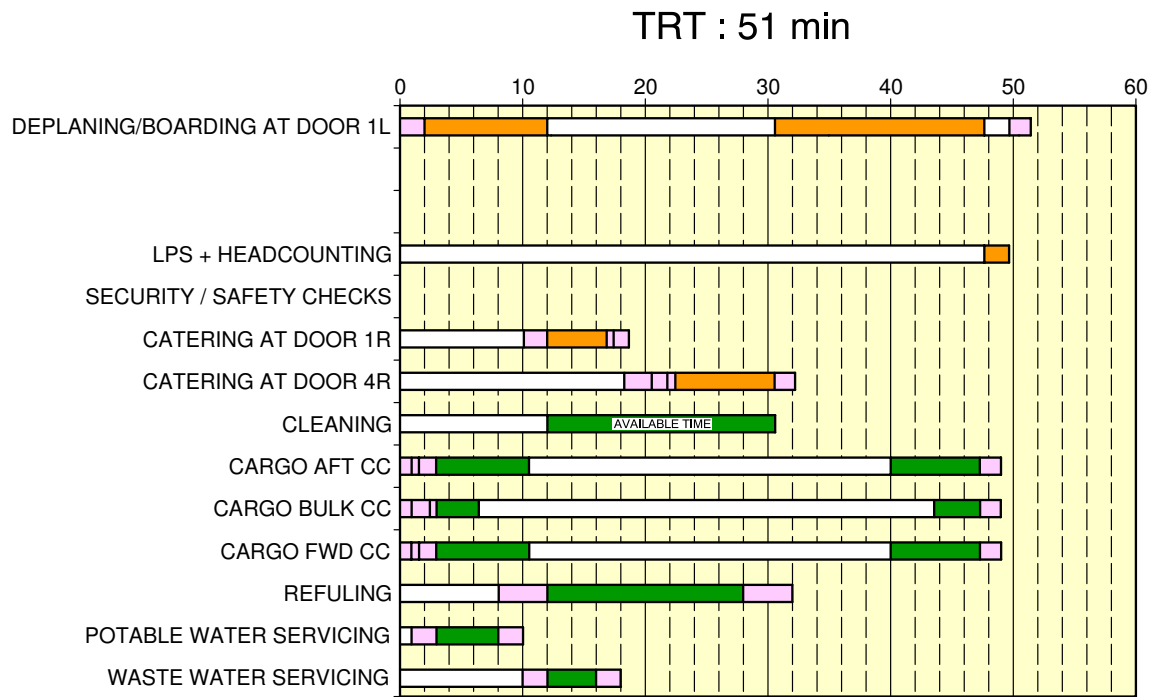


- GSE POSITIONING/REMOVAL
- ACTIVITY
- CRITICAL PATH

N_AC_050200_1_0070101_01_04

Full Servicing Turn Round Time Chart
FIGURE-5-2-0-991-007-A01

**ON A/C A321neo



- GSE POSITIONING/REMOVAL/MOVING
- ACTIVITY TIME
- CRITICAL PATH

N_AC_050200_1_0090101_01_02

Full Servicing Turn Round Time Chart for A321NEO-ACF
FIGURE-5-2-0-991-009-A01

5-3-0 Terminal Operation - Outstation Turn Round Time Chart

****ON A/C A321-100 A321-200 A321neo**

Terminal Operations - Transit Turn Round Time

1. This section provides a typical turn round time chart showing the typical time for ramp activities during aircraft turn round. Actual times may vary due to each operator's specific practices, resources, equipment and operating conditions.

2. Assumptions used for transit turn round time chart
FIGURE 5-3-0-991-004-A

A. PASSENGER HANDLING

220 pax (all Y/C).

All passengers deplane and board the aircraft.

2 stairways used at doors 1L and 4L.

Equipment positioning + opening door = +2 min.

Closing door + equipment removal = +1.5 min.

No Passenger with Reduced Mobility (PRM) on board.

Deplaning:

- 110 pax at door 1L
- 110 pax at door 4L
- Deplaning rate = 20 pax/min. per door

Boarding:

- 110 pax at door 1L
- 110 pax at door 4L
- Boarding rate = 12 pax/min. per door
- Last Pax Seating allowance (LPS) + headcounting = +2 min.

B. CARGO

2 cargo loaders.

Opening door + equipment positioning = +2 min.

Equipment removal + closing door = +1.5 min.

100% cargo exchange :

- FWD cargo compartment: 5 containers
- AFT cargo compartment: 5 containers

Container unloading/loading times:

- Unloading = 1.5 min./container
- Loading = 1.5 min./container.

C. REFUELING

No refueling.

D. CLEANING

Cleaning is performed in available time.

E. CATERING

One catering truck for servicing the galleys as required.

F. GROUND HANDLING/GENERAL SERVICING

Start of operations:

- Bridges/stairs: $t_0 = 0$
- Other equipment: $t = t_0$.

Ground Power Unit (GPU): up to 90 kVA.

Air conditioning: one hose.

No potable water servicing.

No toilet servicing.

****ON A/C A321neo**3. Assumptions used for transit turn round time chart for A321NEO-ACF
FIGURE 5-3-0-991-007-A

A. PASSENGER HANDLING

202 pax (all Y/C).

All passengers deplane and board the aircraft.

2 Stairs used at door 1L and 4L.

Equipment positioning + opening door = +2 min.

Closing door + equipment removal = +1.5 min.

No PRM on board.

Deplaning:

- 101 pax at door 1L
- 101 pax at door 4L
- Deplaning rate = 20 pax/min. per door

Boarding:

- 101 pax at door 1L
- 101 pax at door 4L
- Boarding rate = 12 pax/min. per door
- LPS + headcounting = +2 min.

B. CARGO

2 cargo loaders.

Opening door + equipment positioning = +2 min.

Equipment removal + closing door = +1.5 min.

100% cargo exchange:

- FWD cargo compartment: 5 containers
- AFT cargo compartment: 5 containers
- Bulk compartment: 500 kg (1 102 lb).

Container unloading/loading times:

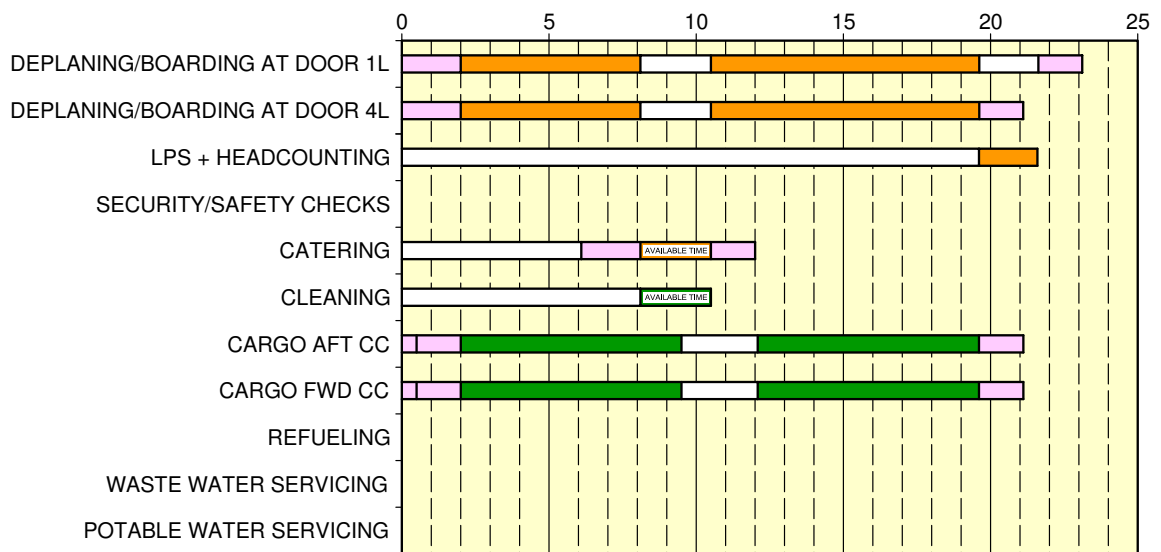
- Unloading = 1.5 min/container
- Loading = 1.5 min/container.

Bulk unloading/loading times:

- Unloading = 150 kg/min (331 lb/min)
 - Loading = 120 kg/min (265 lb/min).
- C. REFUELING
20 000 l (5 283 US gal) at 50 psig (3.45 bars-rel). No optional coupling.
Dispenser positioning/removal + connection/disconnection times = +2.5 min.
Refuelling with passengers on board: No.
- D. CLEANING
Cleaning is performed in available time.
- E. CATERING
1 catering truck for servicing galleys sequentially at doors 1R and 4R.
Equipment positioning + opening door = +2 min.
Closing door + equipment removal = +1.5 min.
Time to drive from one door to the other = +2 min.
Full Size Trolley Equivalent (FSTE) to unload and load: 11 FSTE
- 4 FSTE at door 1R
 - 7 FSTE at door 4R.
- Time for trolley exchange = 1.2 min per FSTE
Maximum catering time = +13.2 min.
- F. GROUND HANDLING/GENERAL SERVICING
Start of operations:
- Bridges/stairs: $t_0 = 0$
 - Other equipment: $t = t_0$.
- GPU: up to 90 kVA.
Air conditioning: one hose.
Potable water servicing: 100% uplift, 200 l (53 US gal).
Toilet servicing: draining + rinsing.
- G. SECURITY/SAFETY CHECKS
No safety or security checks are available.

**ON A/C A321-100 A321-200 A321neo

TRT: 23 min

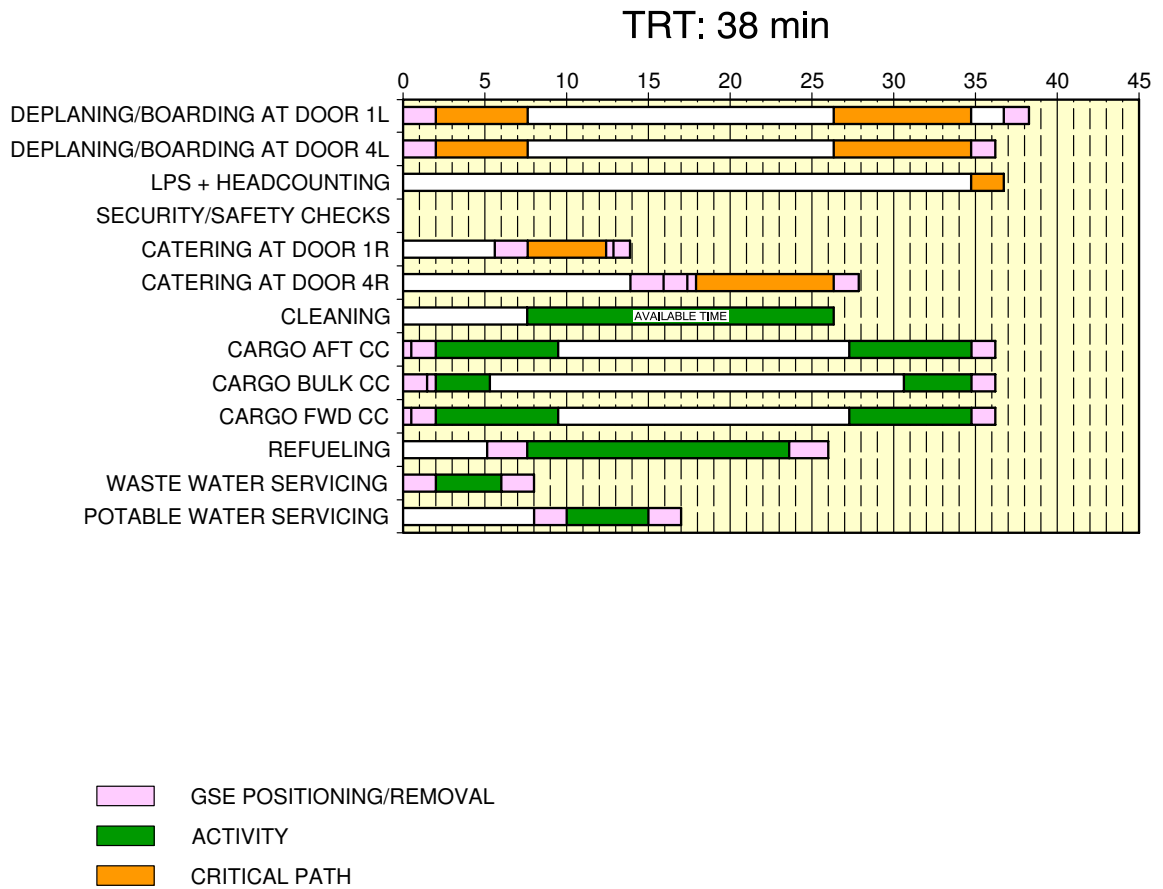


- GSE POSITIONING/REMOVAL
- ACTIVITY
- CRITICAL PATH

N_AC_050300_1_0040101_01_05

Outstation Turn Round Time Chart
FIGURE-5-3-0-991-004-A01

**ON A/C A321neo



N_AC_050300_1_0070101_01_02

Outstation Turn Round Time Chart for A321NEO-ACF
FIGURE-5-3-0-991-007-A01



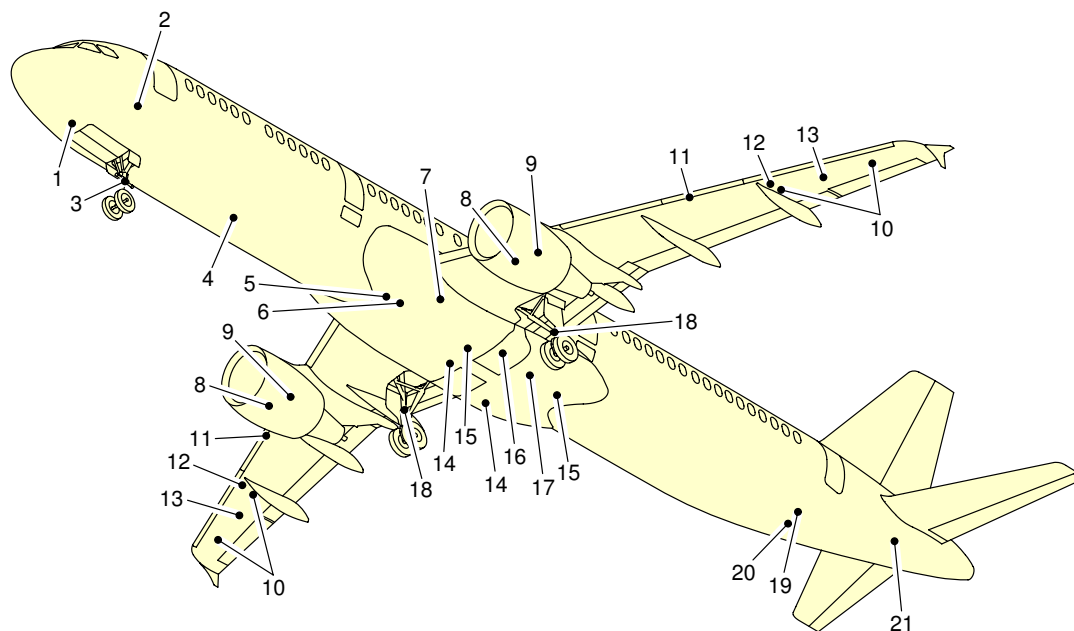
5-4-1 Ground Service Connections

****ON A/C A321-100 A321-200 A321neo**

Ground Service Connections Layout

1. This section provides the ground service connections layout.

**ON A/C A321-100 A321-200 A321neo



- | | |
|---|---|
| 1 – GROUND ELECTRICAL POWER CONNECTOR | 12 – OVERWING REFUEL (IF INSTALLED) |
| 2 – OXYGEN SYSTEM | 13 – NACA VENT INTAKE |
| 3 – NLG GROUNDING (EARTHING) POINT | 14 – YELLOW HYDRAULIC-SYSTEM SERVICE PANEL |
| 4 – POTABLE WATER DRAIN PANEL | 15 – BLUE HYDRAULIC-SYSTEM SERVICE PANEL |
| 5 – LOW PRESSURE AIR PRE-CONDITIONING | 16 – ACCUMULATOR CHARGING (GREEN SYSTEM) AND RESERVOIR DRAIN (GREEN SYSTEM) |
| 6 – HIGH PRESSURE AIR PRE-CONDITIONING | 17 – GREEN HYDRAULIC-SYSTEM SERVICE PANEL |
| 7 – REFUEL/DEFUEL INTEGRATED PANEL | 18 – MLG GROUNDING (EARTHING) POINT |
| 8 – IDG/STARTER OIL SERVICING | 19 – WASTE WATER SERVICE PANEL |
| 9 – ENGINE OIL SERVICING | 20 – POTABLE WATER SERVICE PANEL |
| 10 – OVERPRESSURE PROTECTOR | 21 – APU OIL SERVICING |
| 11 – REFUEL/DEFUEL COUPLINGS (OPTIONAL-LH WING) | |

N_AC_050401_1_0070101_01_02

Ground Service Connections Layout
FIGURE-5-4-1-991-007-A01

5-4-2 Grounding Points

****ON A/C A321-100 A321-200 A321neo**

Grounding (Earthing) Points

1. Grounding (Earthing) Points

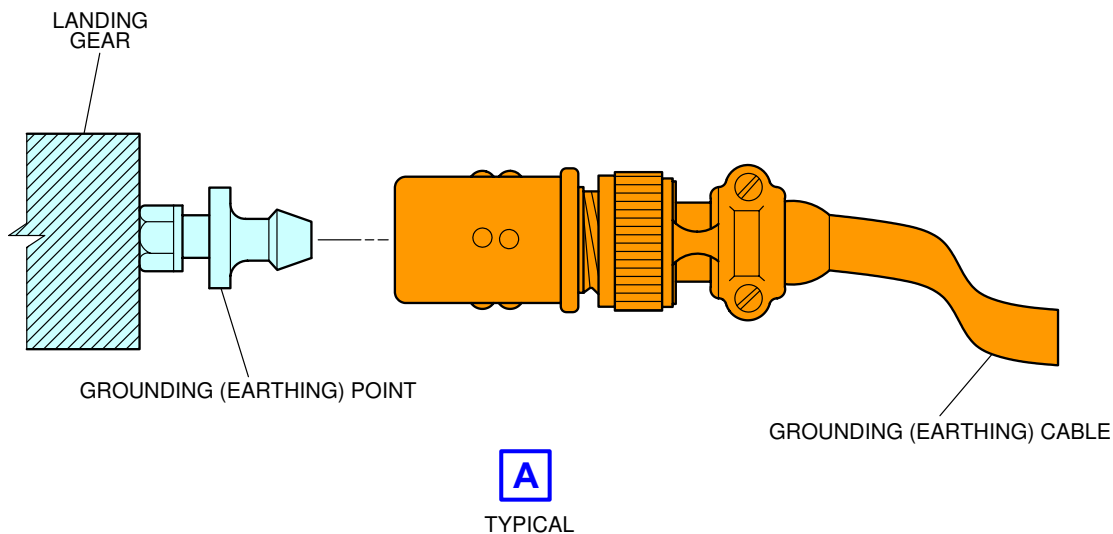
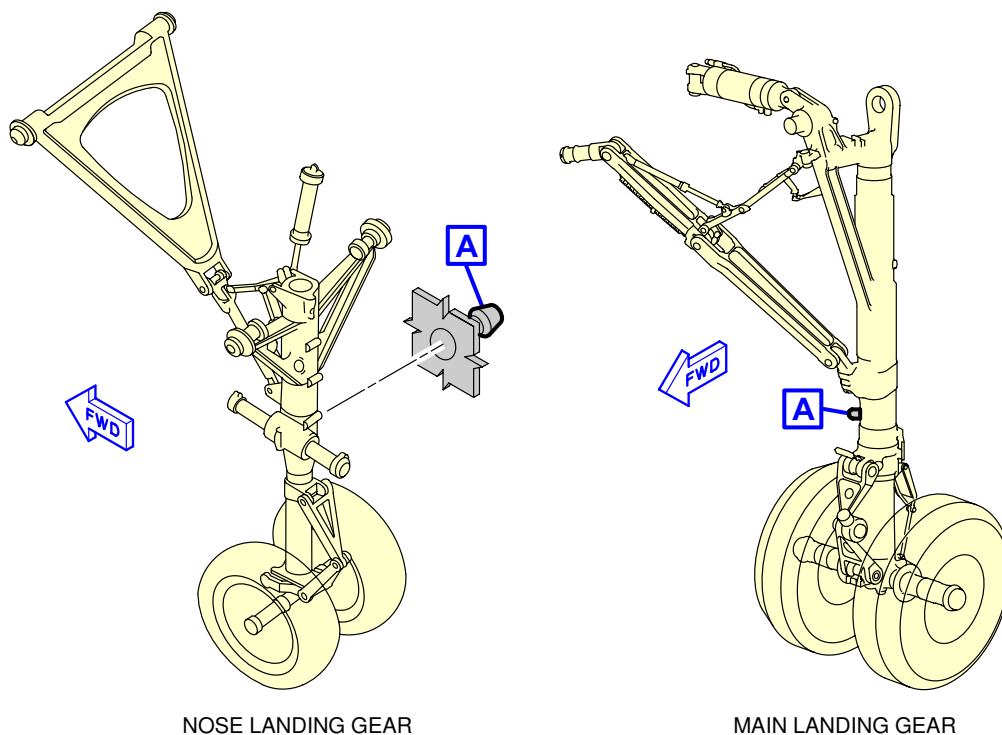
	DISTANCE			MEAN HEIGHT FROM GROUND
	AFT OF NOSE	FROM AIRCRAFT CENTERLINE		
		LH SIDE	RH SIDE	
On Nose Landing Gear leg:	5.07 m (16.63 ft)	On Centerline		0.94 m (3.08 ft)
On left Main Landing Gear leg:	21.97 m (72.08 ft)	3.79 m (12.43 ft)	-	1.07 m (3.51 ft)
On right Main Landing Gear leg:	21.97 m (72.08 ft)	-	3.79 m (12.43 ft)	1.07 m (3.51 ft)

- A. The grounding (earthing) stud on each landing gear leg is designed for use with a clip-on connector (such as Appleton TGR).
- B. The grounding (earthing) studs are used to connect the aircraft to an approved ground (earth) connection on the ramp or in the hangar for:
 - Refuel/defuel operations,
 - Maintenance operations,
 - Bad weather conditions.

NOTE : In all other conditions, the electrostatic discharge through the tire is sufficient. If the aircraft is on jacks for retraction and extension checks or for the removal/installation of the landing gear, the grounding (earthing) alternative points (if installed) are:

- In the hole on the avionics-compartment lateral right door-frame (on FR14),
- On the engine nacelles,
- Adjacent to the high-pressure connector,
- On the wing upper surfaces.

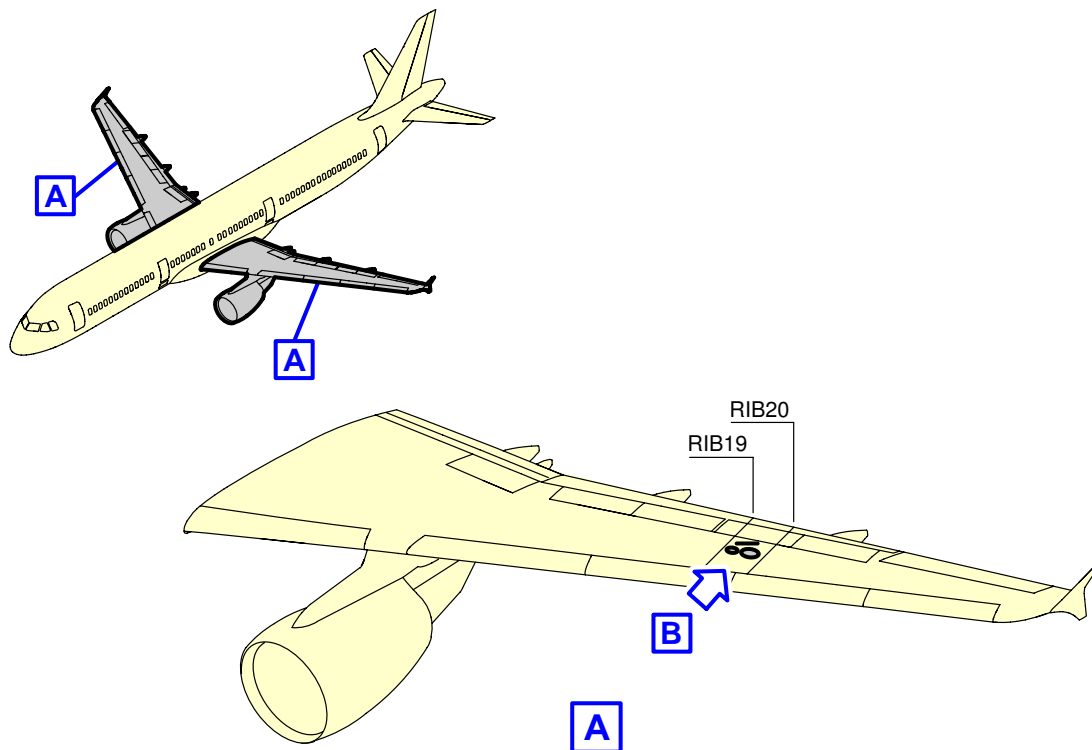
**ON A/C A321-100 A321-200 A321neo



N_AC_050402_1_0070101_01_01

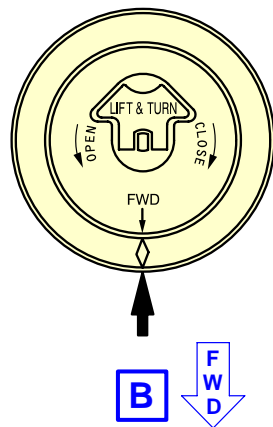
Ground Service Connections
Grounding (Earthing) Points - Landing Gear
FIGURE-5-4-2-991-007-A01

**ON A/C A321-100 A321-200 A321neo



JET FUEL

FOR SPECIFICATIONS REFER TO FLIGHT MANUAL

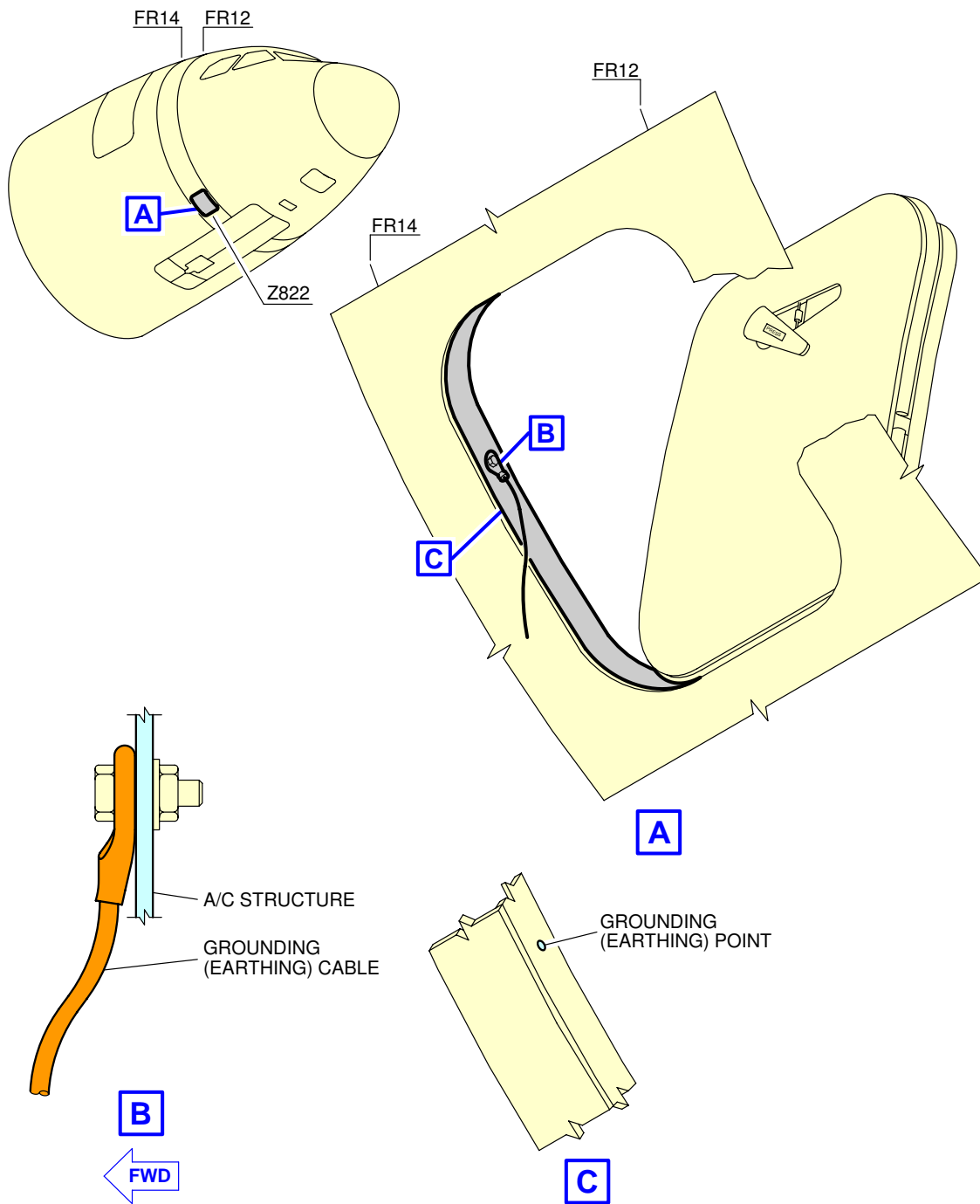


NOTE: R SIDE SYMMETRICAL

N_AC_050402_1_0080101_01_00

Ground Service Connections
Grounding (Earthing) Points - Wing (If Installed)
FIGURE-5-4-2-991-008-A01

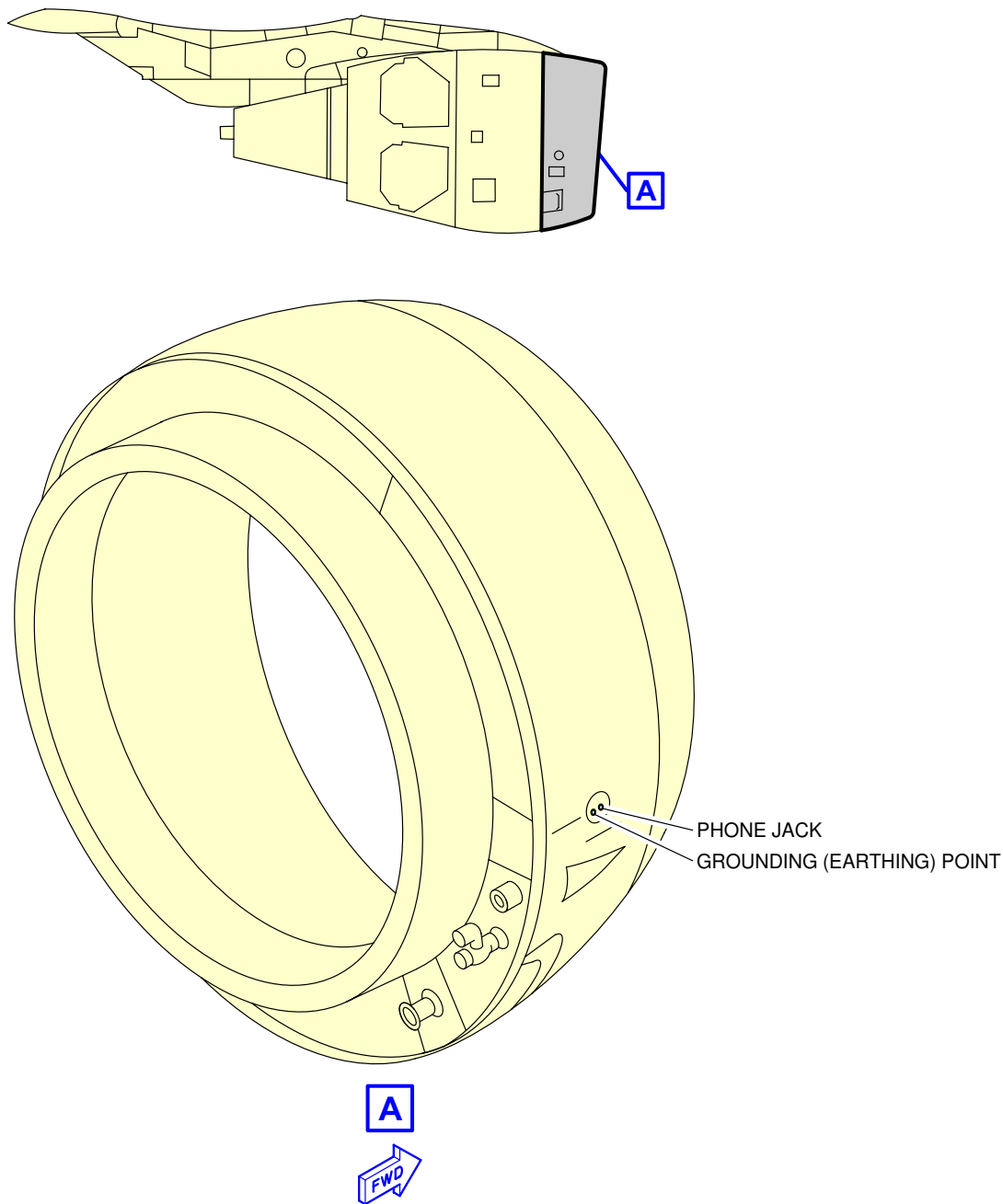
**ON A/C A321-100 A321-200 A321neo



N_AC_050402_1_0180101_01_00

Ground Service Connections
 Grounding (Earthing) Point - Avionics Compartment Door-Frame
 FIGURE-5-4-2-991-018-A01

**ON A/C A321-100 A321-200 A321neo



N_AC_050402_1_0190101_01_00

Ground Service Connections
Grounding (Earthing) Point - Engine Air Intake (If Installed)
FIGURE-5-4-2-991-019-A01

5-4-3 Hydraulic System

**ON A/C A321-100 A321-200 A321neo

Hydraulic Servicing

1. Access

ACCESS	DISTANCE			
	AFT OF NOSE	FROM AIRCRAFT CENTERLINE		MEAN HEIGHT FROM GROUND
		LH SIDE	RH SIDE	
Green System: Access Door 197CB	23.44 m (76.90 ft)	1.27 m (4.17 ft)		1.76 m (5.77 ft)
Yellow System: Access Door 198CB	23.44 m (76.90 ft)		1.27 m (4.17 ft)	1.76 m (5.77 ft)
Blue System: Access Door 197EB	24.49 m (80.35 ft)	1.27 m (4.17 ft)		1.76 m (5.77 ft)

2. Reservoir Pressurization

ACCESS	DISTANCE			
	AFT OF NOSE	FROM AIRCRAFT CENTERLINE		MEAN HEIGHT FROM GROUND
		LH SIDE	RH SIDE	
Access Door 195BB	19.92 m (65.35 ft)	0.25 m (0.82 ft)		1.74 m (5.71 ft)

3. Accumulator Charging

Four MIL-PRF-6164 connections:

ACCESS	DISTANCE			
	AFT OF NOSE	FROM AIRCRAFT CENTERLINE		MEAN HEIGHT FROM GROUND
		LH SIDE	RH SIDE	
Yellow System Accumulator: Access Door 196BB	19.92 m (65.35 ft)		0.25 m (0.82 ft)	1.74 m (5.71 ft)

ACCESS	DISTANCE			MEAN HEIGHT FROM GROUND
	AFT OF NOSE	FROM AIRCRAFT CENTERLINE		
		LH SIDE	RH SIDE	
Green System Accumulator: Left MLG Door	21.04 m (69.03 ft)	0.25 m (0.82 ft)		3.20 m (10.50 ft)
Blue System Accumulator: Access Door 195BB	19.92 m (65.35 ft)	0.25 m (0.82 ft)		1.74 m (5.71 ft)
Yellow System Braking Accumulator: Access Door 196BB	19.92 m (65.35 ft)		0.25 m (0.82 ft)	1.74 m (5.71 ft)

4. Reservoir Filling

Centralized filling capability on the Green System ground service panel:

ACCESS	DISTANCE			MEAN HEIGHT FROM GROUND
	AFT OF NOSE	FROM AIRCRAFT CENTERLINE		
		LH SIDE	RH SIDE	
Access Door 197CB	23.44 m (76.90 ft)	1.27 m (4.17 ft)		1.76 m (5.77 ft)

Filling: Ground pressurized supply or hand pump.

5. Reservoir Drain

Three 3/8 in. self-sealing connections:

ACCESS	DISTANCE			MEAN HEIGHT FROM GROUND
	AFT OF NOSE	FROM AIRCRAFT CENTERLINE		
		LH SIDE	RH SIDE	
Yellow System: Access Door 196BB	19.92 m (65.35 ft)		0.25 m (0.82 ft)	1.74 m (5.71 ft)
Green System: Left MLG Door	21.04 m (69.03 ft)	0.25 m (0.82 ft)		3.20 m (10.5 ft)

ACCESS	DISTANCE			MEAN HEIGHT FROM GROUND
	AFT OF NOSE	FROM AIRCRAFT CENTERLINE		
		LH SIDE	RH SIDE	
Blue System: Access Door 197EB	24.49 m (80.35 ft)	1.27 m (4.17 ft)		1.76 m (5.77 ft)

NOTE : The drain valve is on the Blue System ground service panel for the reservoir of the Blue hydraulic system.

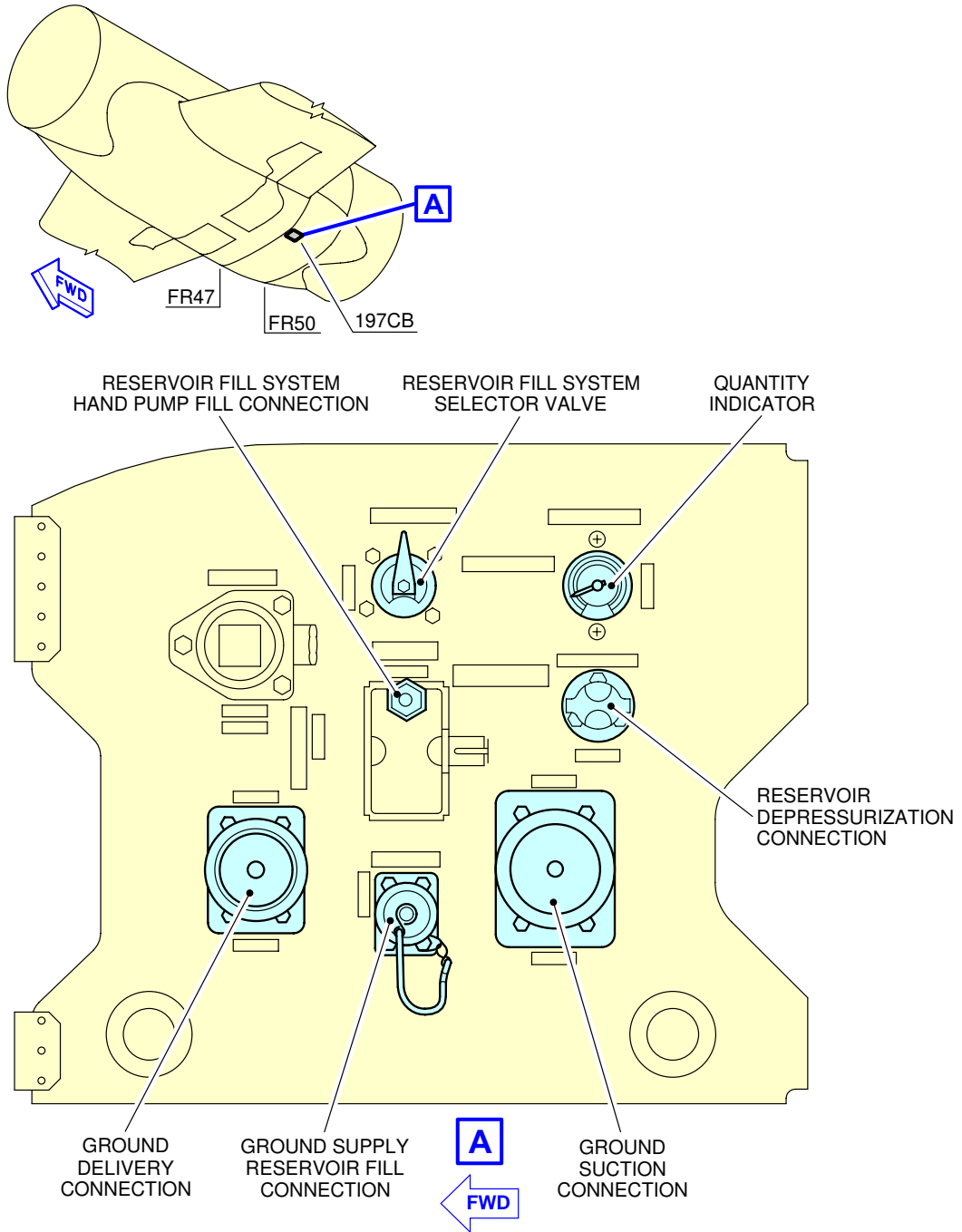
The drain valve is on the reservoir for the Green and Yellow Hydraulic Systems.

6. Ground Test

On each ground service panel:

- One self-sealing connector (suction).
- One self-sealing connector (delivery).

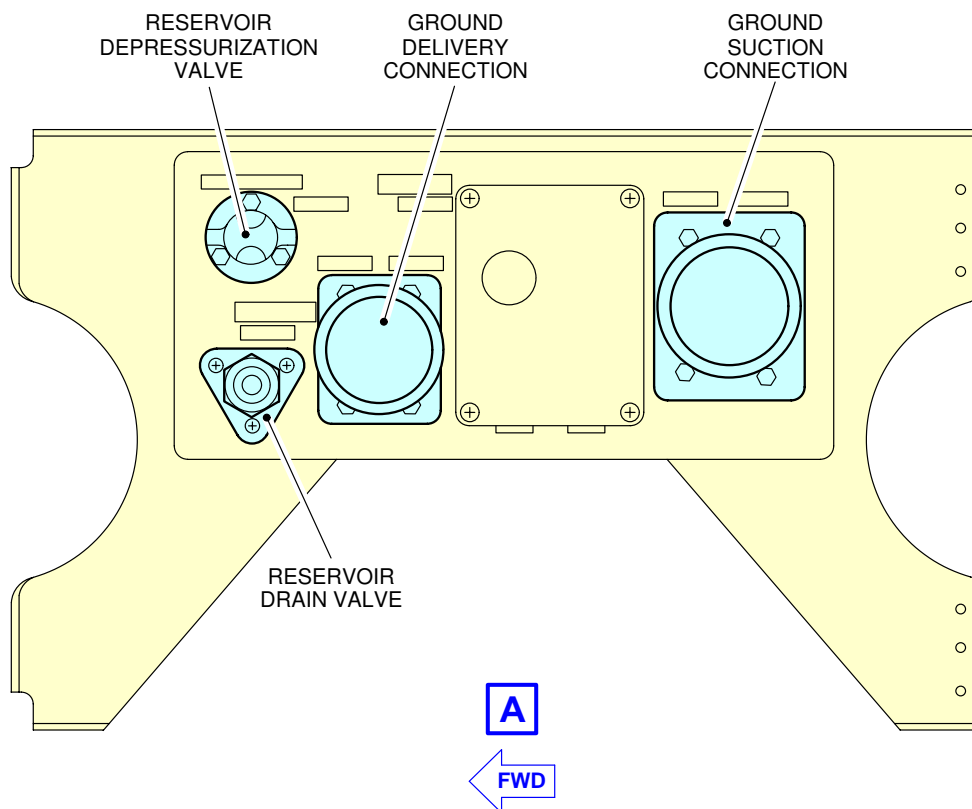
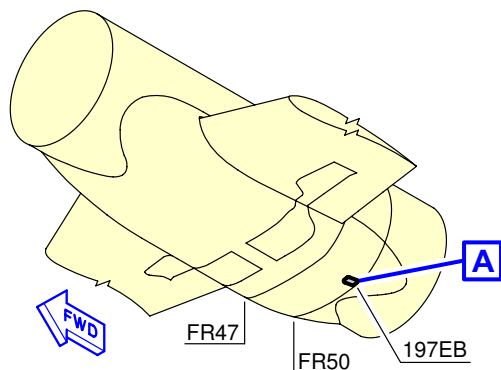
**ON A/C A321-100 A321-200 A321neo



N_AC_050403_1_0040101_01_01

Ground Service Connections
 Green System Ground Service Panel
 FIGURE-5-4-3-991-004-A01

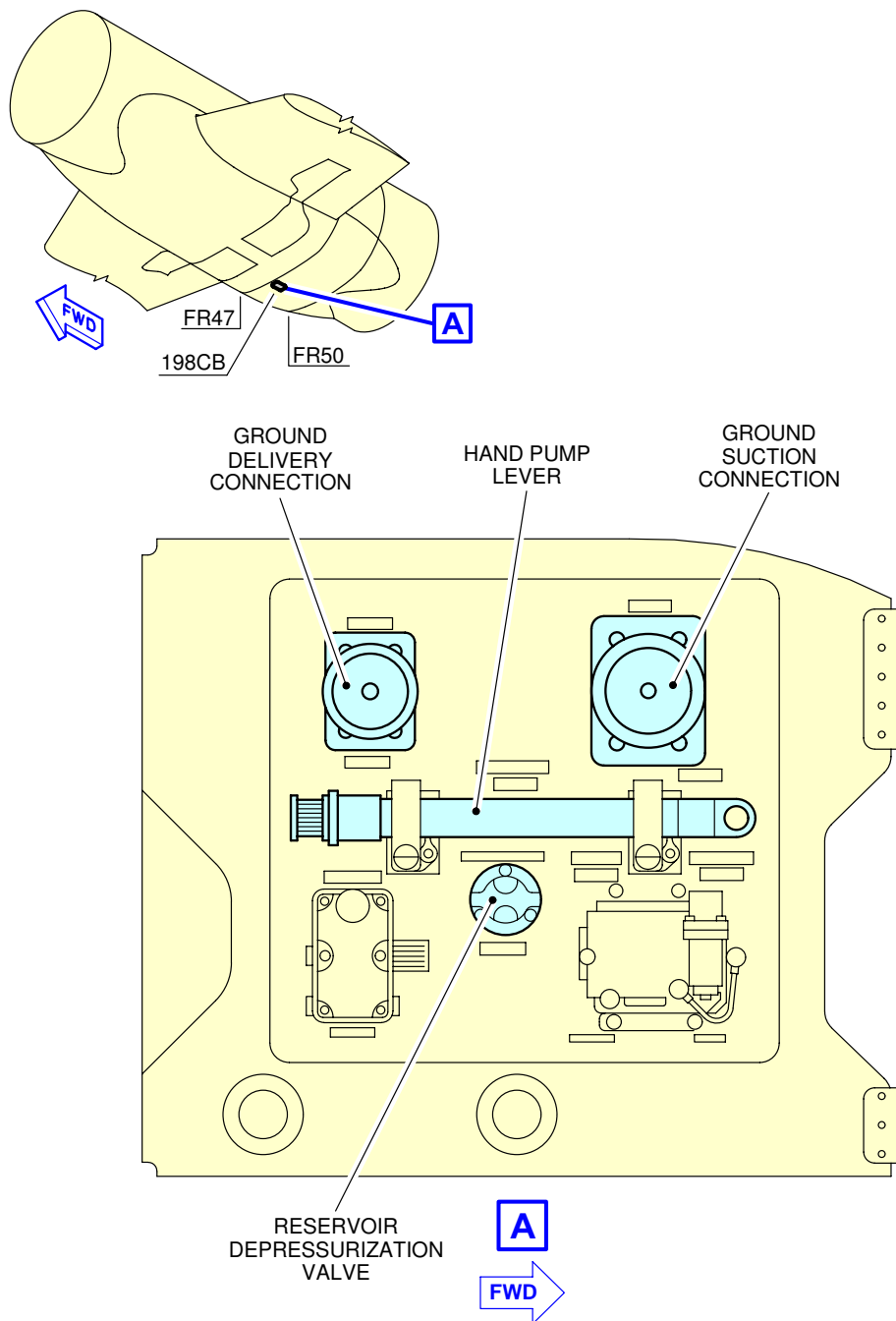
**ON A/C A321-100 A321-200 A321neo



N_AC_050403_1_0050101_01_01

Ground Service Connections
Blue System Ground Service Panel
FIGURE-5-4-3-991-005-A01

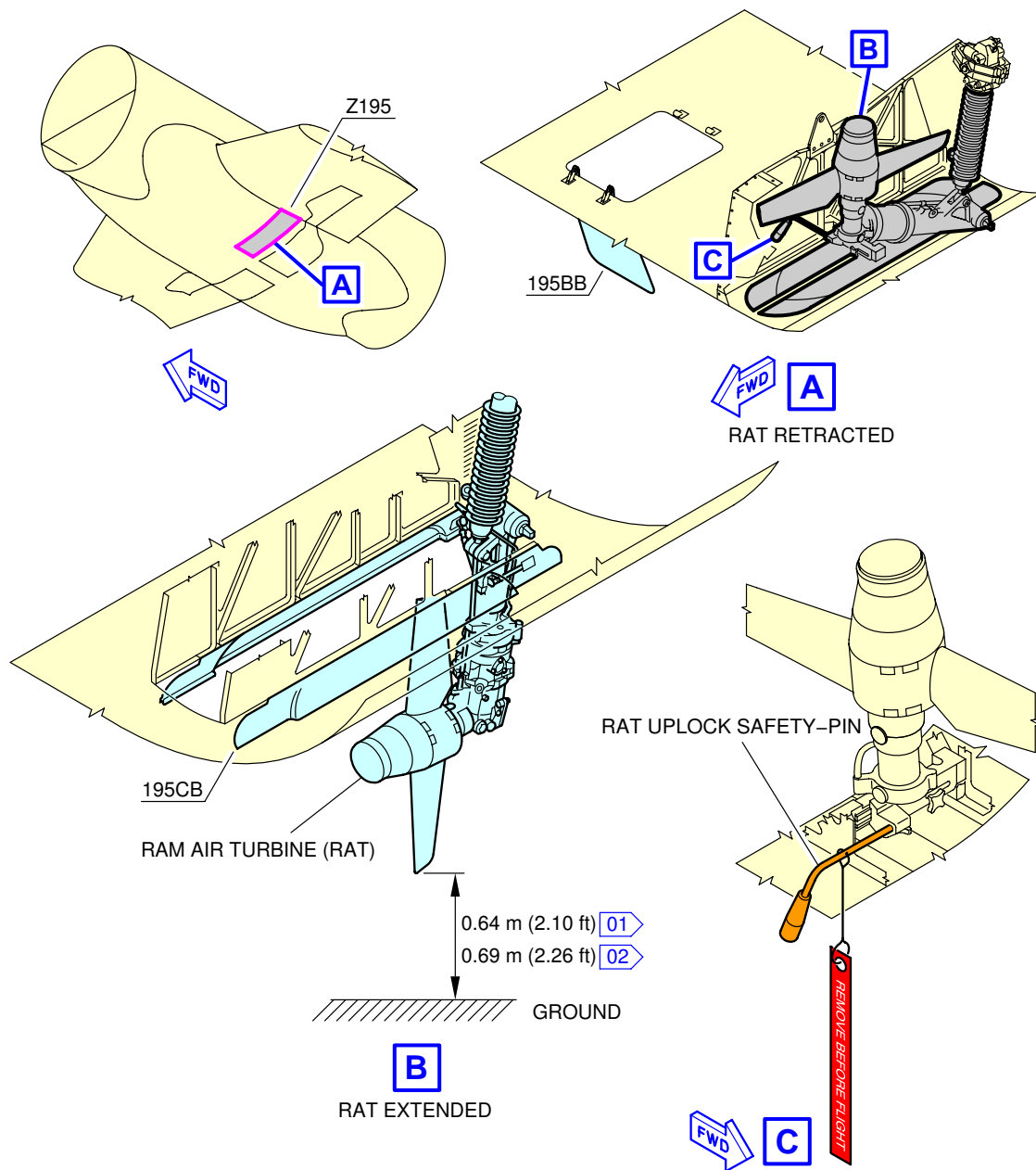
**ON A/C A321-100 A321-200 A321neo



N_AC_050403_1_0060101_01_01

Ground Service Connections
Yellow System Ground Service Panel
FIGURE-5-4-3-991-006-A01

**ON A/C A321-100 A321-200 A321neo



NOTE:

01 FOR A318, A319 AND A320

02 FOR A321

N_AC_050403_1_0070101_01_00

Ground Service Connections
RAT
FIGURE-5-4-3-991-007-A01

5-4-4 Electrical System

****ON A/C A321-100 A321-200 A321neo**

Electrical System

1. Electrical System

This chapter provides data related to the location of the ground service connections.

ACCESS	DISTANCE			MEAN HEIGHT FROM GROUND
	AFT OF NOSE	FROM AIRCRAFT CENTERLINE		
		LH SIDE	RH SIDE	
A/C External Power: Access Door 121AL	2.55 m (8.37 ft)	On centerline		2.00 m (6.56 ft)

NOTE : Distances are approximate.

2. Technical Specifications

A. External Power Receptacle:

- One receptacle according to MS 90362-3 (without shield MS 17845-1) – 90 kVA.

NOTE : Make sure that for connectors featuring micro switches, the connector is chamfered to properly engage in the receptacle.

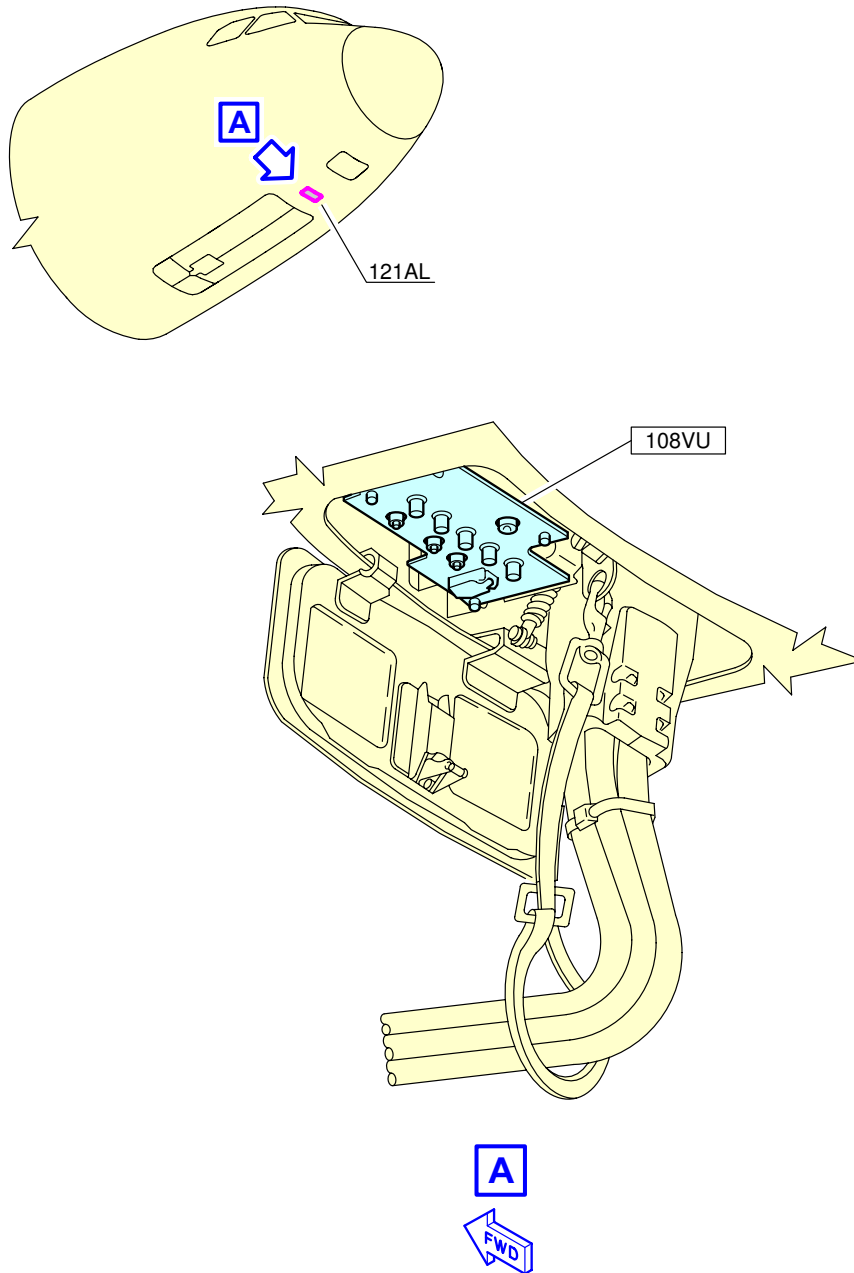
B. Power Supply:

- Three-phase, 115/200V, 400 Hz.

C. Electrical Connectors for Servicing:

- AC outlets: HUBBELL 5258
- DC outlets: HUBBELL 7472.

**ON A/C A321-100 A321-200 A321neo



N_AC_050404_1_0010101_01_01

Ground Service Connections
External Power Receptacles
FIGURE-5-4-4-991-001-A01

5-4-5 Oxygen System

**ON A/C A321-100 A321-200 A321neo

Oxygen System

1. Oxygen System

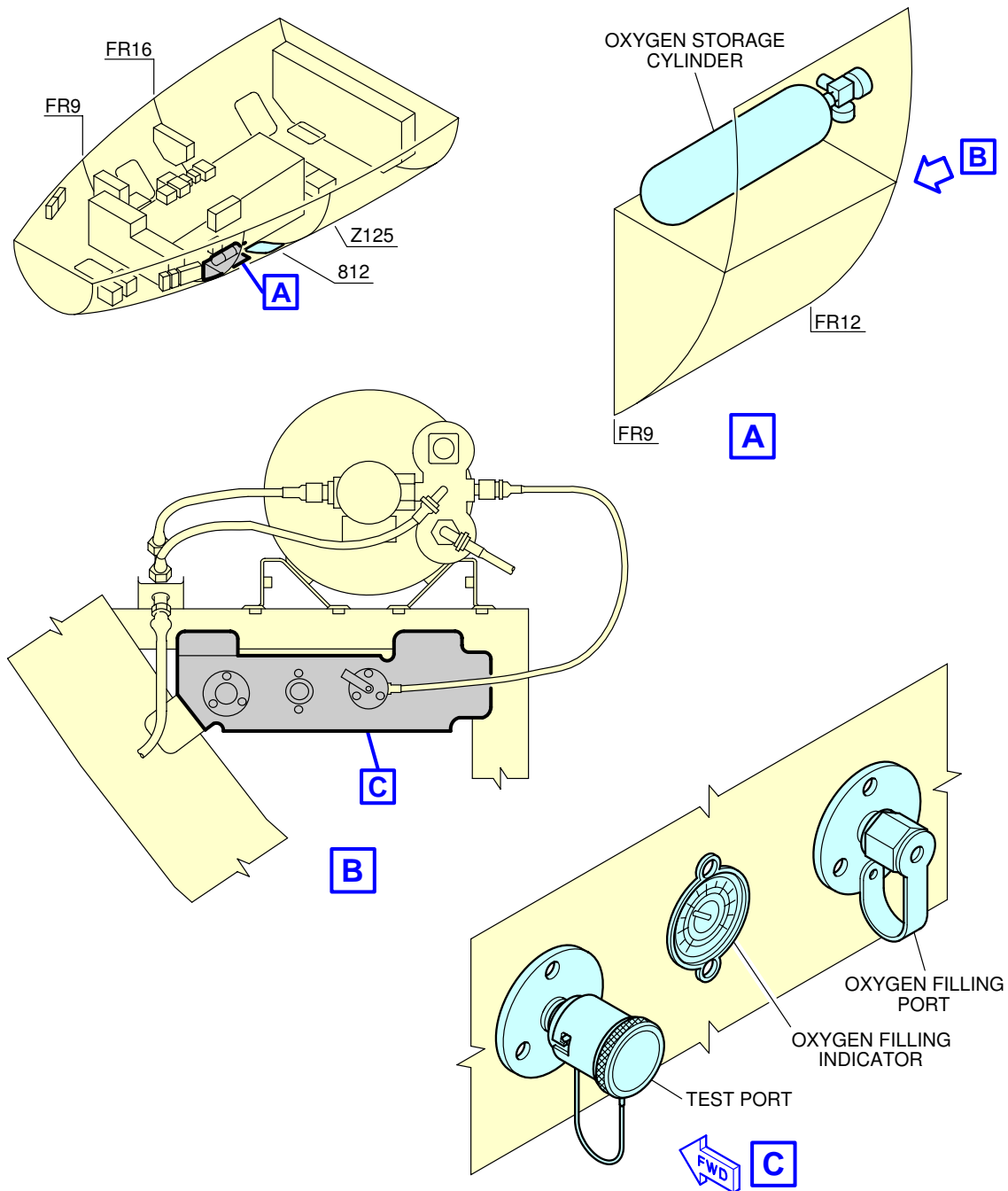
ACCESS	DISTANCE			
	AFT OF NOSE	FROM AIRCRAFT CENTERLINE		MEAN HEIGHT FROM GROUND
		LH SIDE	RH SIDE	
Oxygen Replenishment: Access Door 812	3.45 m (11.32 ft)	1.15 m (3.77 ft)	-	2.60 m (8.53 ft)

2. Technical Specifications

- One 3/8 in. MIL-DTL 7891 standard service connection.

NOTE : External charging in the avionics compartment.

**ON A/C A321-100 A321-200 A321neo



N_AC_050405_1_0010101_01_00

Ground Service Connections
Oxygen System
FIGURE-5-4-5-991-001-A01

5-4-6 Fuel System

**ON A/C A321-100 A321-200 A321neo

Fuel System

1. Refuel/Defuel Control Panel

ACCESS	DISTANCE			MEAN HEIGHT FROM GROUND
	AFT OF NOSE	POSITION FROM AIRCRAFT CENTERLINE		
		LH SIDE	RH SIDE	
Refuel/Defuel Integrated Panel: Access Door 192MB	20.65 m (67.75 ft)	-	1.8 m (5.91 ft)	1.8 m (5.91 ft)

2. Refuel/Defuel Connectors

ACCESS	DISTANCE			MEAN HEIGHT FROM GROUND
	AFT OF NOSE	POSITION FROM AIRCRAFT CENTERLINE		
		LH SIDE	RH SIDE	
Refuel/Defuel Coupling, Left: Access Panel 522HB (Optional)	21.84 m (71.65 ft)	9.83 m (32.25 ft)	-	3.65 m (11.98 ft)
Refuel/Defuel Coupling, Right: Access Panel 622HB	21.84 m (71.65 ft)	-	9.83 m (32.25 ft)	3.65 m (11.98 ft)
Overwing Gravity- Refuel Cap	23.35 m (76.61 ft)	12.4 m (40.68 ft)	12.4 m (40.68 ft)	3.7 m (12.14 ft)

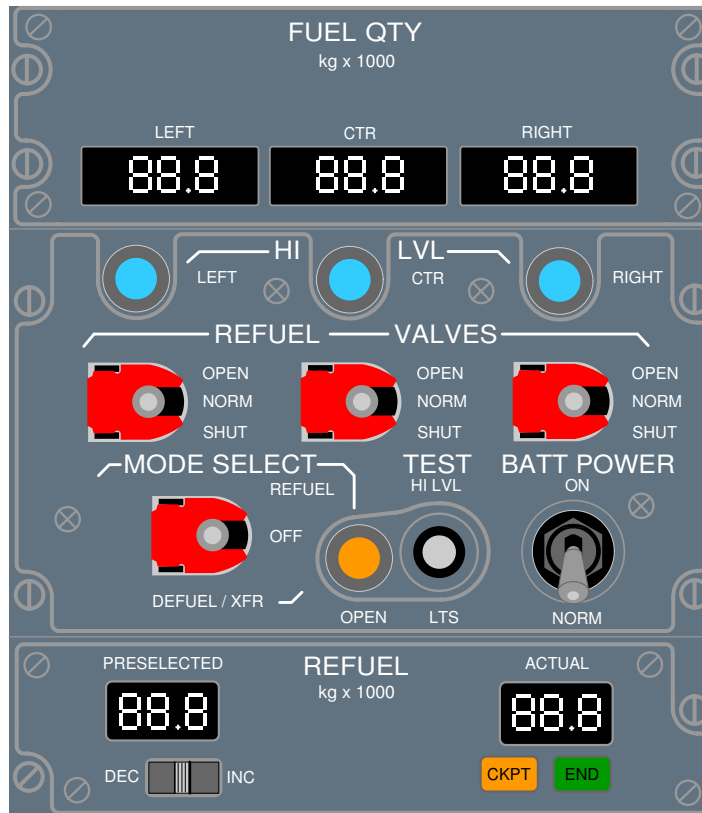
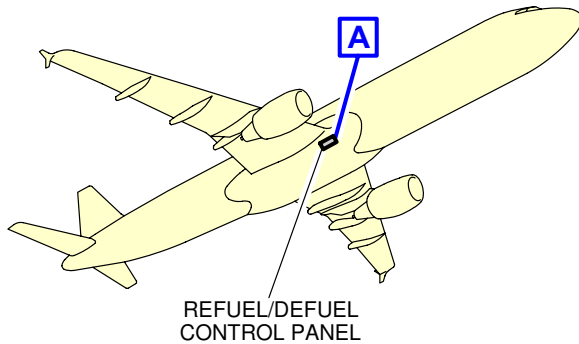
- A. Refuel/Defuel Couplings:
 - Right wing: one standard ISO 45, 2.5 in.
 - Left wing: one optional standard ISO 45, 2.5 in.
- B. Refuel Pressure:
 - Maximum Pressure: 3.45 bar (50 psi).
- C. Average Flow Rate:
 - 1250 l/min (330 US gal/min).

3. Overpressure Protectors and NACA Vent Intake

ACCESS	DISTANCE			MEAN HEIGHT FROM GROUND
	AFT OF NOSE	POSITION FROM AIRCRAFT CENTERLINE		
		LH SIDE	RH SIDE	
Surge Tank Overpressure-Protector: Access Panel 550CB (650CB)	24.61 m (80.74 ft)	14.9 m (48.88 ft)	14.9 m (48.88 ft)	4.32 m (14.17 ft)
Wing Tank Overpressure-Protector: Access Panel 540PB (640PB)	24.2 m (79.40 ft)	12.15 m (39.86 ft)	12.15 m (39.86 ft)	4.1 m (13.45 ft)
NACA Vent Intake: Access Panel 550AB (650AB)	24.05 m (78.90 ft)	13.7 m (44.95 ft)	13.7 m (44.95 ft)	4.02 m (13.19 ft)

NOTE : Distances are approximate.

**ON A/C A321-100 A321-200 A321neo



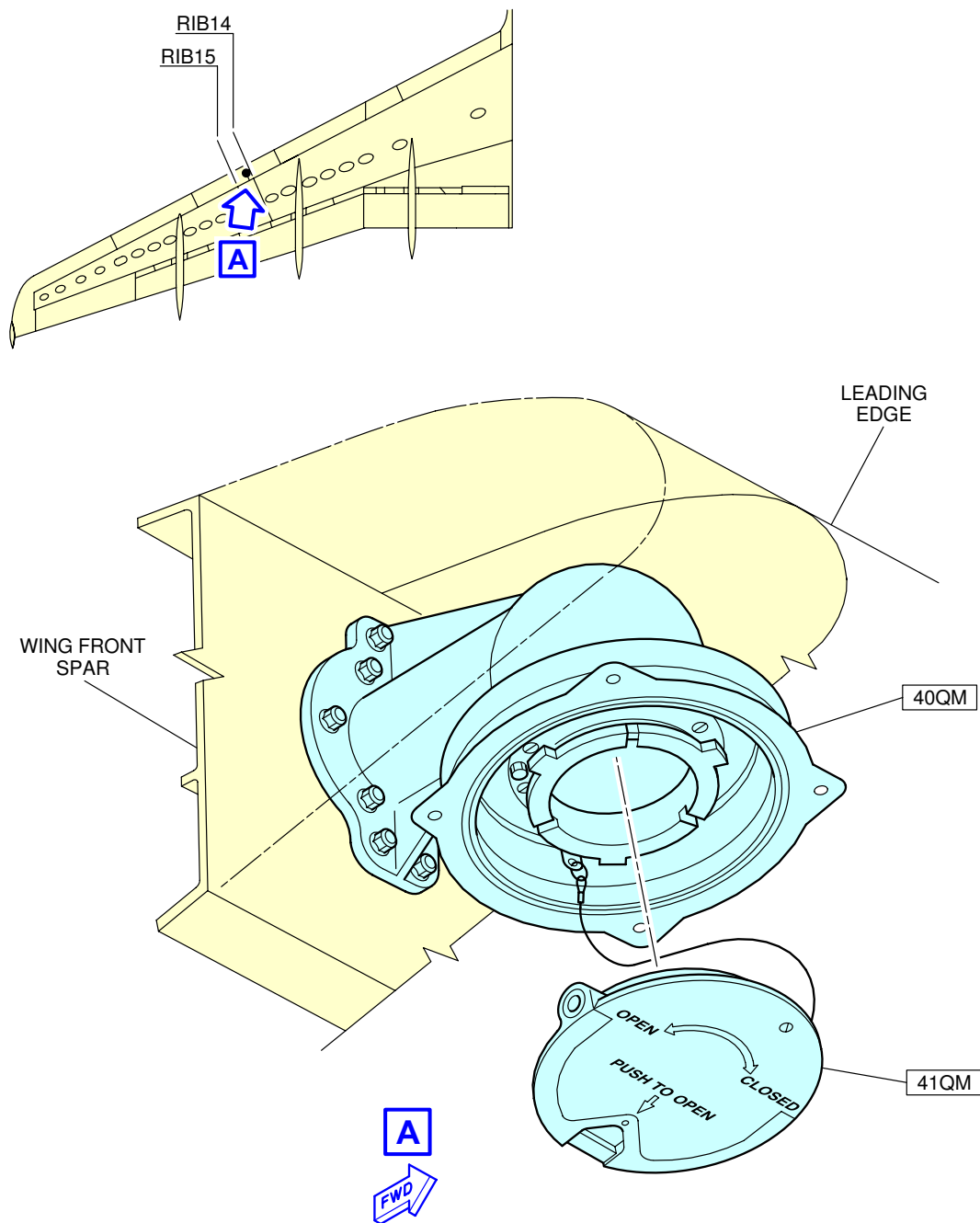
A

NOTE: STANDARD CONFIGURATION OF REFUEL/DEFUEL PANEL.

N_AC_050406_1_0010101_01_00

Ground Service Connections
Refuel/Defuel Control Panel
FIGURE-5-4-6-991-001-A01

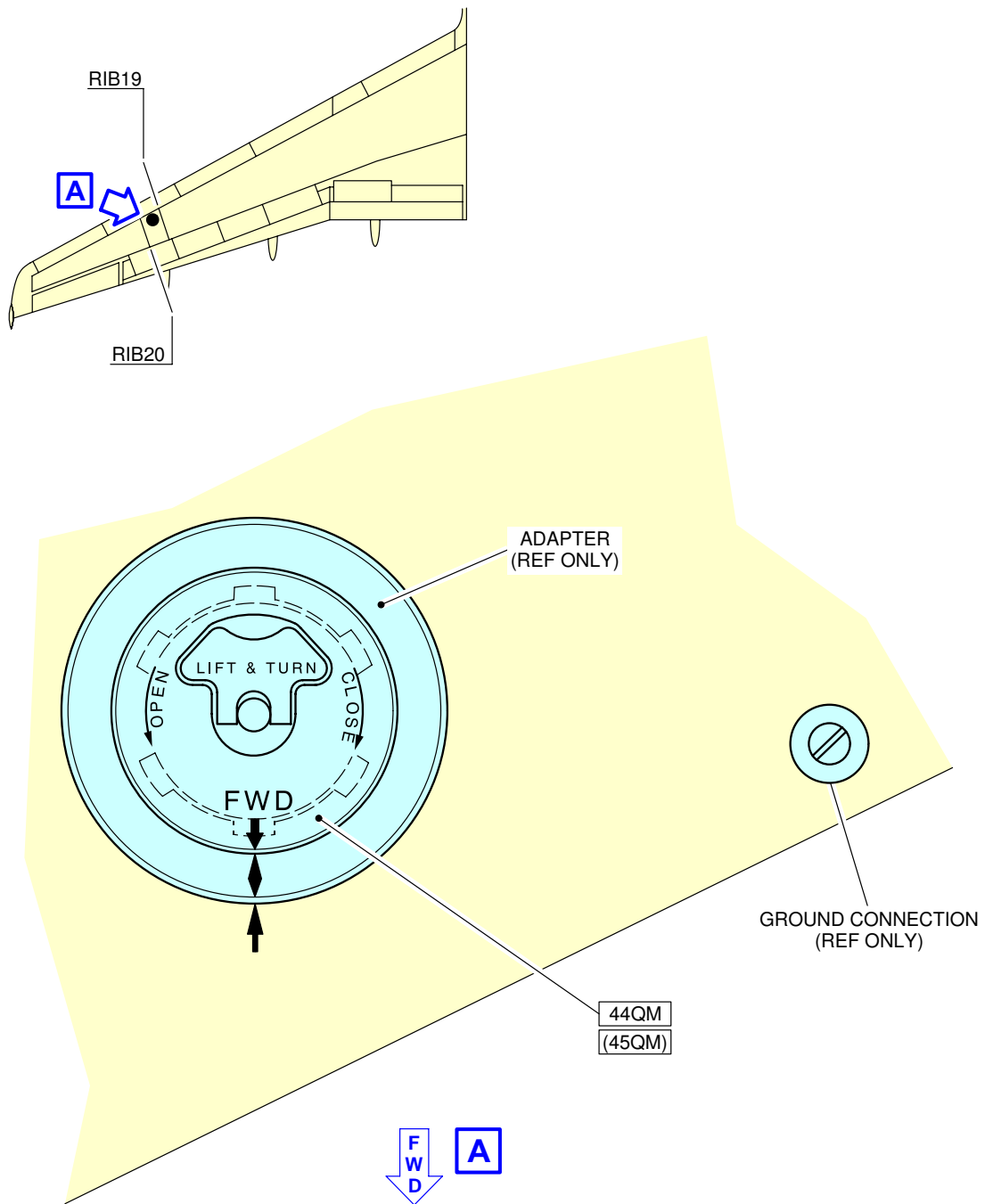
**ON A/C A321-100 A321-200 A321neo



N_AC_050406_1_0020101_01_00

Ground Service Connections
Refuel/Defuel Couplings
FIGURE-5-4-6-991-002-A01

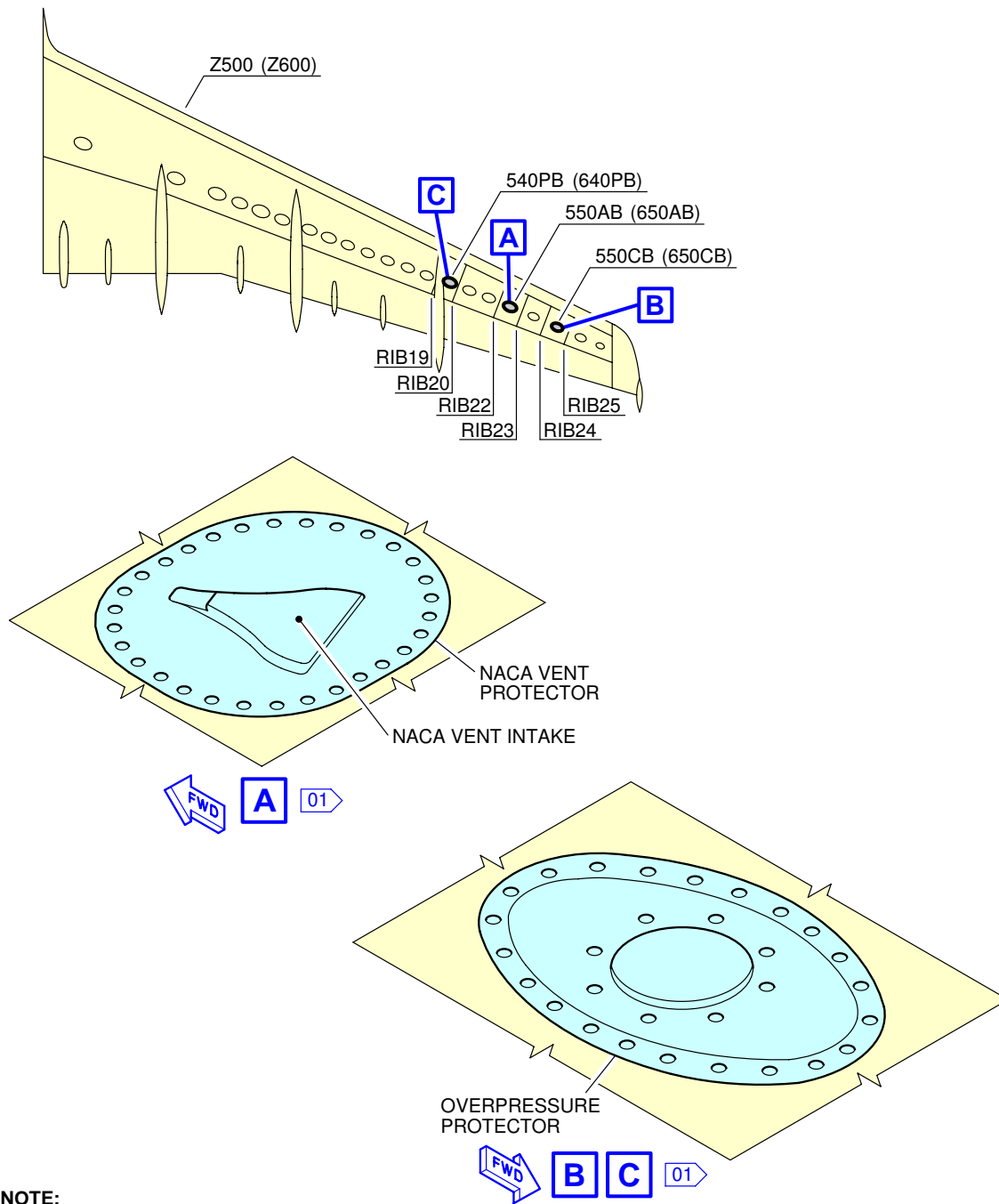
**ON A/C A321-100 A321-200 A321neo



N_AC_050406_1_0030101_01_00

Ground Service Connections
Overwing Gravity-Refuel Cap (If Installed)
FIGURE-5-4-6-991-003-A01

**ON A/C A321-100 A321-200 A321neo



NOTE:
 01 LH SHOWN, RH SYMMETRICAL

N_AC_050406_1_0040201_01_00

Ground Service Connections
 Overpressure Protectors and NACA Vent Intake
 FIGURE-5-4-6-991-004-B01

5-4-7 Pneumatic System

****ON A/C A321-100 A321-200 A321neo**

Pneumatic System

1. High Pressure Air Connector

ACCESS	DISTANCE			MEAN HEIGHT FROM GROUND
	AFT OF NOSE	FROM AIRCRAFT CENTERLINE		
		LH SIDE	RH SIDE	
HP Connector: Access Door 191DB	17.25 m (56.59 ft)	0.84 m (2.76 ft)	-	1.76 m (5.77 ft)

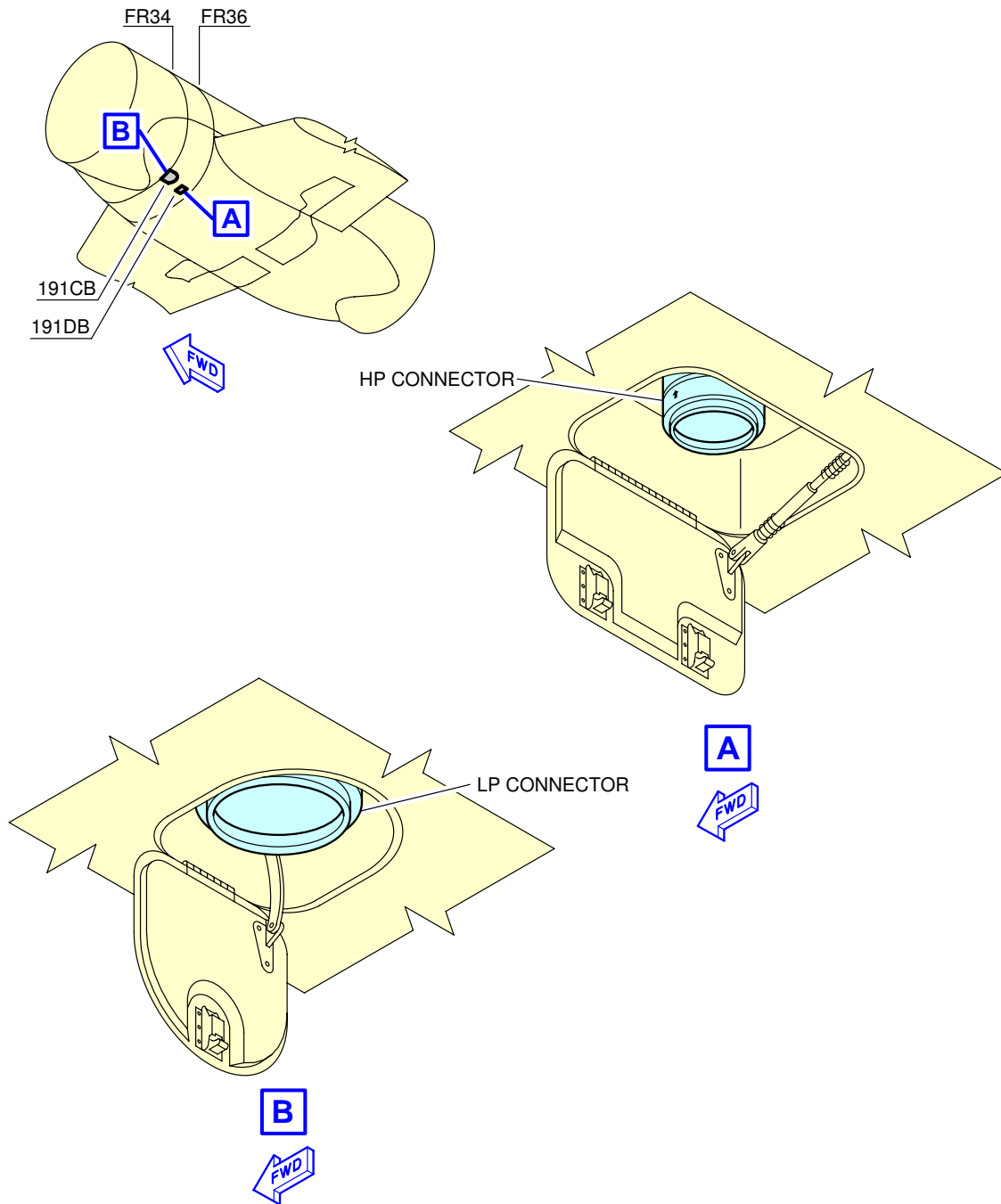
- A. Connector:
- One standard 3 in. ISO 2026 connection.

2. Low Pressure Air Connector

ACCESS	DISTANCE			MEAN HEIGHT FROM GROUND
	AFT OF NOSE	FROM AIRCRAFT CENTERLINE		
		LH SIDE	RH SIDE	
LP Connector: Access Door 191CB	16.72 m (54.86 ft)	1.11 m (3.64 ft)	-	1.73 m (5.68 ft)

- A. Connector:
- One standard 8 in. SAE AS4262 connection.

**ON A/C A321-100 A321-200 A321neo



N_AC_050407_1_0010101_01_00

Ground Service Connections
LP and HP Ground Connectors
FIGURE-5-4-7-991-001-A01

5-4-8 Oil System

****ON A/C A321-100 A321-200 A321neo**

Oil System

****ON A/C A321-100 A321-200**

1. Engine Oil Replenishment for CFM56 Series Engine (See FIGURE 5-4-8-991-003-A):
One gravity filling cap and one pressure filling connection per engine.

ACCESS	DISTANCE			
	AFT OF NOSE	FROM AIRCRAFT CENTERLINE		MEAN HEIGHT FROM GROUND
		ENGINE 1 (LH)	ENGINE 2 (RH)	
Engine Oil Gravity Filling Cap: Access door: 437BL (LH), 447BL (RH)	17.38 m (57.02 ft)	6.63 m (21.75 ft)	4.82 m (15.81 ft)	1.46 m (4.79 ft)
Engine Oil Pressure Filling Port:	17.26 m (56.63 ft)	6.49 m (21.29 ft)	4.74 m (15.55 ft)	1.42 m (4.66 ft)

NOTE : Distances are approximate.

- A. Tank capacity:
 - Full level: 19.6 l (5 US gal),
 - Usable: 9.46 l (3 US gal).
 - B. Maximum delivery pressure required: 1.72 bar (25 psi).
Maximum delivery flow required: 180 l/h (48 US gal/h).
2. IDG Oil Replenishment for CFM56 Series Engine (See FIGURE 5-4-8-991-004-A):
One pressure filling connection per engine: OMP 2506-18 plus one connection overflow: OMP 2505-18.

ACCESS	DISTANCE			
	AFT OF NOSE	FROM AIRCRAFT CENTERLINE		MEAN HEIGHT FROM GROUND
		ENGINE 1 (LH)	ENGINE 2 (RH)	
IDG Oil Pressure Filling Connection: Access door: 438AR (LH), 448AR (RH)	16.46 m (54.00 ft)	6.90 m (22.64 ft)	5.52 m (18.11 ft)	0.68 m (2.23 ft)

NOTE : Distances are approximate.

- A. Tank capacity: 5 l (1 US gal).
 - B. Delivery pressure required: 0.34 bar (5 psi) to 2.76 bar (40 psi) at the IDG inlet.
3. Starter Oil Replenishment for CFM56 Series Engine (See FIGURE 5-4-8-991-005-A):
One gravity filling cap per engine.

ACCESS	DISTANCE			
	AFT OF NOSE	FROM AIRCRAFT CENTERLINE		MEAN HEIGHT FROM GROUND
		ENGINE 1 (LH)	ENGINE 2 (RH)	
Starter Oil Filling Connection:	16.81 m (55.15 ft)	5.30 m (17.39 ft)	6.20 m (20.34 ft)	0.76 m (2.49 ft)

NOTE : Distances are approximate.

- A. Tank capacity: 0.8 l (0.21 US gal).
4. Engine Oil Replenishment for IAE V2500 Series Engine (See FIGURE 5-4-8-991-006-B):
One gravity filling cap per engine.

ACCESS	DISTANCE			
	AFT OF NOSE	FROM AIRCRAFT CENTERLINE		MEAN HEIGHT FROM GROUND
		ENGINE 1 (LH)	ENGINE 2 (RH)	
Engine Oil Gravity Filling Cap: Access door: 437BL (LH), 447BL (RH)	16.50 m (54.13 ft)	6.56 m (21.52 ft)	4.92 m (16.14 ft)	1.22 m (4.00 ft)

NOTE : Distances are approximate.

- A. Tank capacity:
 - Full level: 28 l (7 US gal),
 - Usable: 23.50 l (6 US gal).
5. IDG Oil Replenishment for IAE V2500 Series Engine (See FIGURE 5-4-8-991-007-B):
One pressure filling connection per engine: 2506-2 plus one overflow connection: 2505-2.

ACCESS	DISTANCE			
	AFT OF NOSE	FROM AIRCRAFT CENTERLINE		MEAN HEIGHT FROM GROUND
		ENGINE 1 (LH)	ENGINE 2 (RH)	
IDG Oil Pressure Filling Connection:	17.06 m (55.97 ft)	5.42 m (17.78 ft)	6.04 m (19.82 ft)	0.80 m (2.62 ft)

NOTE : Distances are approximate.

A. Tank capacity: 4.10 l (1 US gal).

6. Starter Oil Replenishment for IAE V2500 Series Engine (See FIGURE 5-4-8-991-008-B):
One gravity filling cap per engine.

ACCESS	DISTANCE			
	AFT OF NOSE	FROM AIRCRAFT CENTERLINE		MEAN HEIGHT FROM GROUND
		ENGINE 1 (LH)	ENGINE 2 (RH)	
Starter Oil Filling Connection:	19.66 m (64.50 ft)	5.30 m (17.39 ft)	6.14 m (20.14 ft)	0.75 m (2.46 ft)

NOTE : Distances are approximate.

A. Tank capacity: 0.35 l (0.09 US gal).

****ON A/C A321-100 A321-200 A321neo**

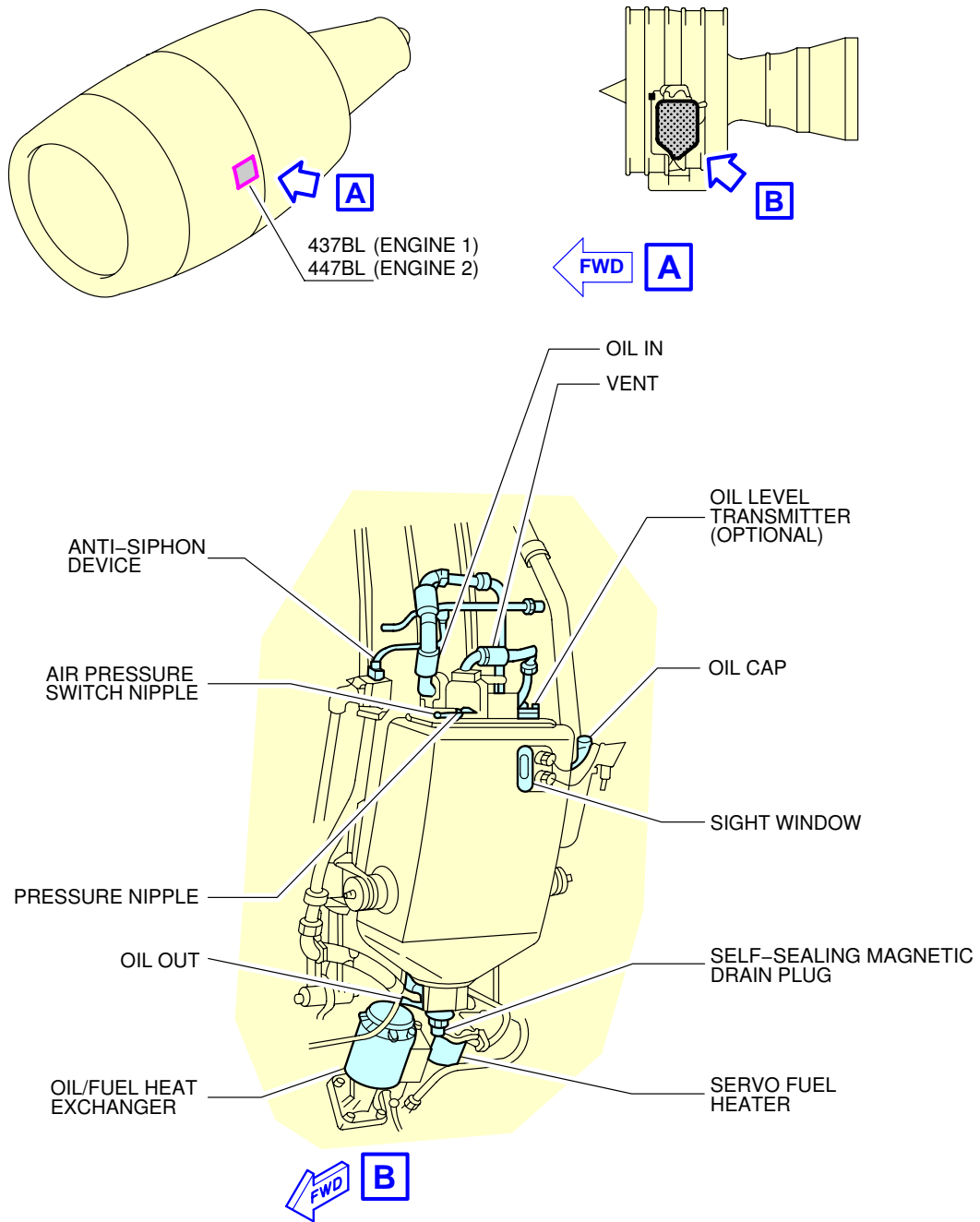
7. APU Oil System (See FIGURE 5-4-8-991-009-A):
APU oil gravity filling cap.

ACCESS	DISTANCE			
	AFT OF NOSE	FROM AIRCRAFT CENTERLINE		MEAN HEIGHT FROM GROUND
		ENGINE 1 (LH)	ENGINE 2 (RH)	
GTCP 36-300	42.42 m (139.17 ft)	0.30 m (0.98 ft)	-	4.83 m (15.85 ft)
APS 3200	42.42 m (139.17 ft)	0.30 m (0.98 ft)	-	4.78 m (15.68 ft)
131-9	42.32 m (138.85 ft)	0.35 m (1.15 ft)	-	4.32 m (14.17 ft)

NOTE : Distances are approximate.

- A. Tank capacity (usable):
- APU type GTCP 36-300: 6.20 l (2 US gal),
 - APU type APS 3200: 5.40 l (1 US gal),
 - APU type 131-9: 6.25 l (2 US gal).

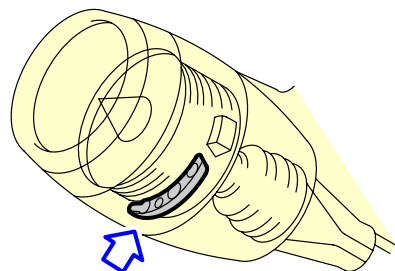
**ON A/C A321-100 A321-200



N_AC_050408_1_0030101_01_00

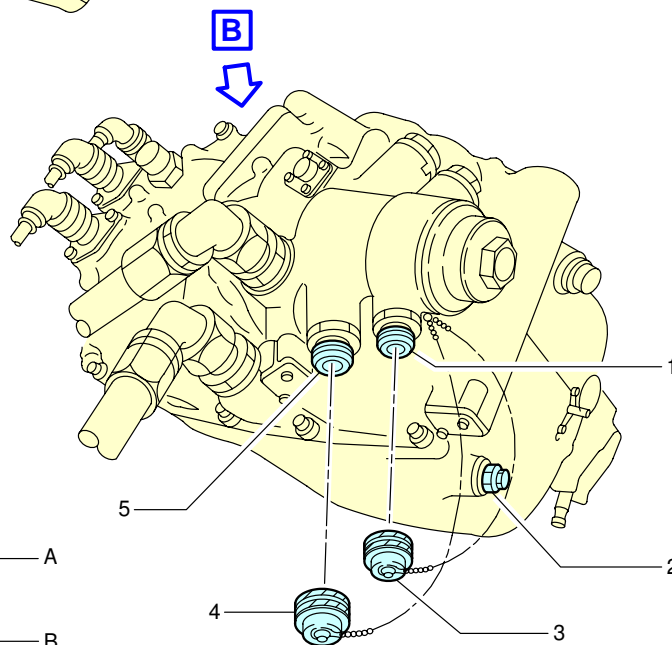
Ground Service Connections
Engine Oil Tank – CFM56 Series Engine
FIGURE-5-4-8-991-003-A01

**ON A/C A321-100 A321-200

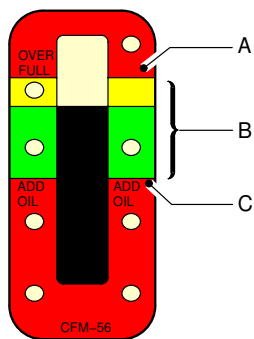


A

- 1 - PRESSURE FILL VALVE
- 2 - CASE DRAIN PLUG
- 3 - DUST CAP
- 4 - DUST CAP
- 5 - OVERFLOW DRAIN VALVE



B



SIGHT GLASS

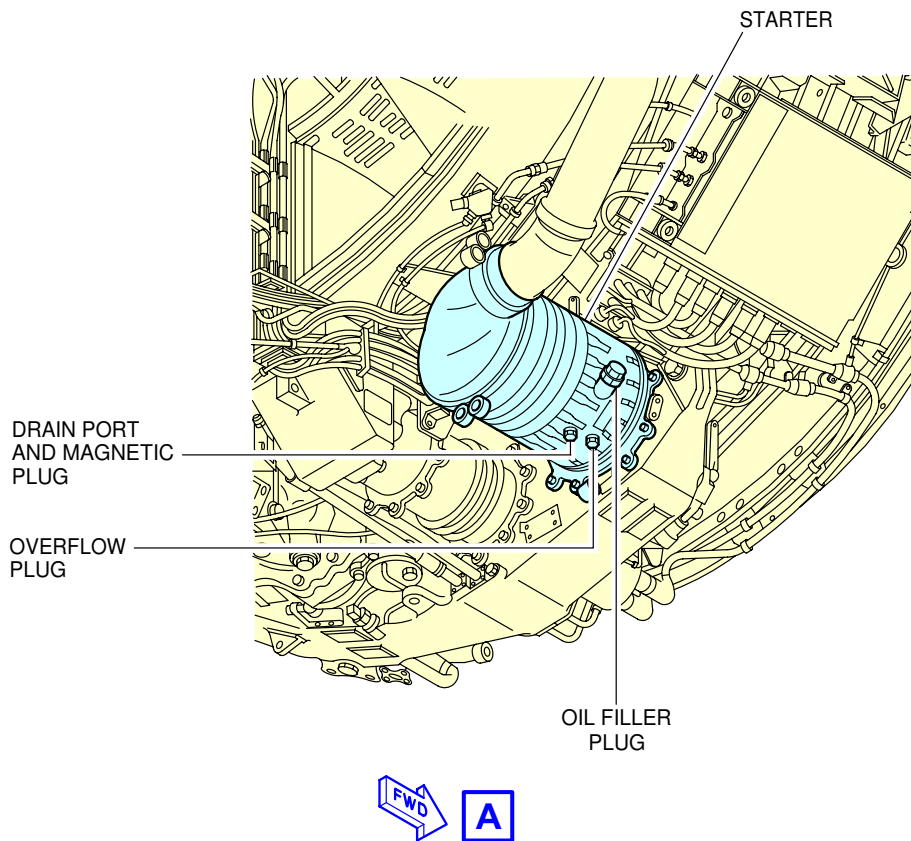
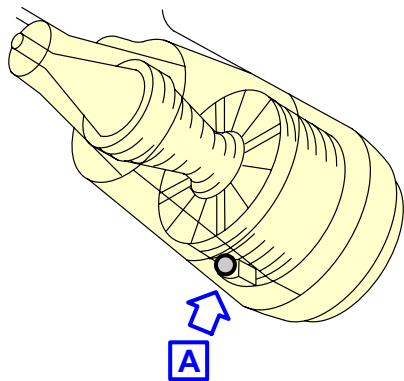
B

- NOTE:**
- A IF THE OIL LEVEL IS ABOVE THE YELLOW BAND, OIL SERVICING IS REQUIRED.
 - B IF THE OIL LEVEL IS WITHIN THE GREEN AND YELLOW BANDS, OIL SERVICING IS NOT REQUIRED.
 - C IF THE OIL LEVEL IS BELOW THE GREEN BAND, OIL SERVICING IS REQUIRED.

N_AC_050408_1_0040101_01_00

Ground Service Connections
 IDG Oil Tank – CFM56 Series Engine
 FIGURE-5-4-8-991-004-A01

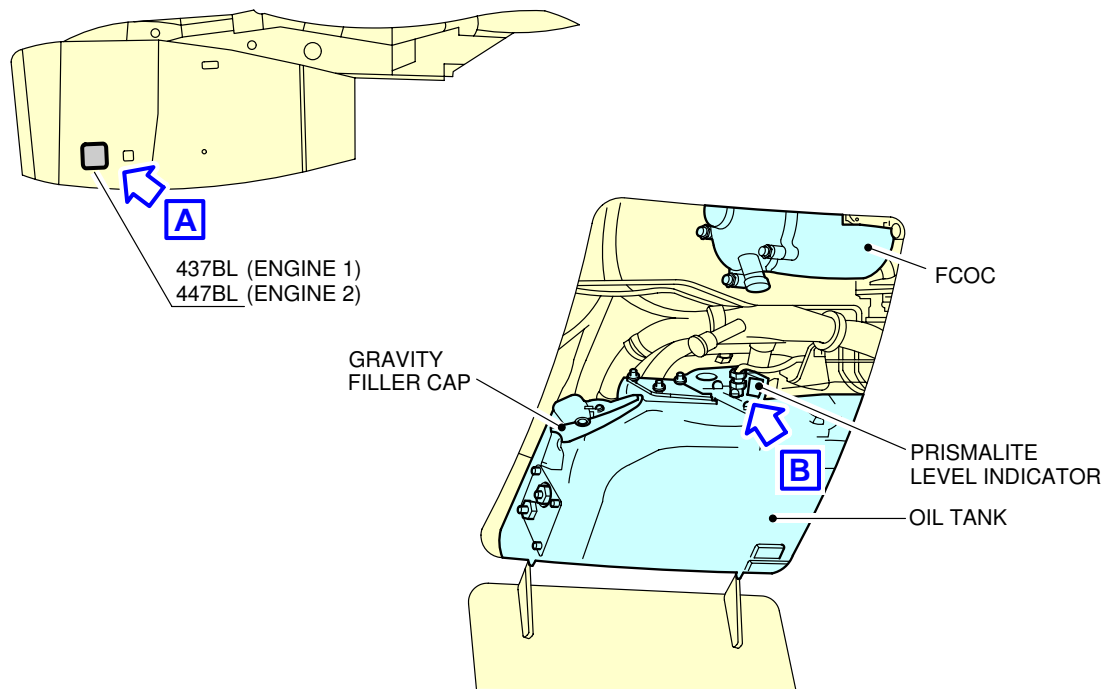
**ON A/C A321-100 A321-200



N_AC_050408_1_0050101_01_00

Ground Service Connections
Starter Oil Tank – CFM56 Series Engine
FIGURE-5-4-8-991-005-A01

****ON A/C A321-100 A321-200**

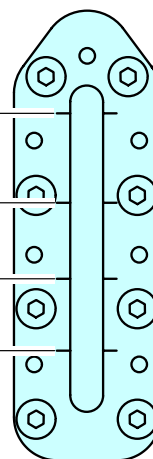


'FULL' LEVEL NOTCH
27.3 LT
29.0 US QTS
6.0 IMP GAL
(WITHIN 60 MIN FROM SHUTDOWN)

NOTCH '1'
26 LT
27 US QTS
5.7 IMP GAL

NOTCH '2'
23 LT
24 US QTS
5.1 IMP GAL

NOTCH '3'
20 LT
22 US QTS
4.5 IMP GAL

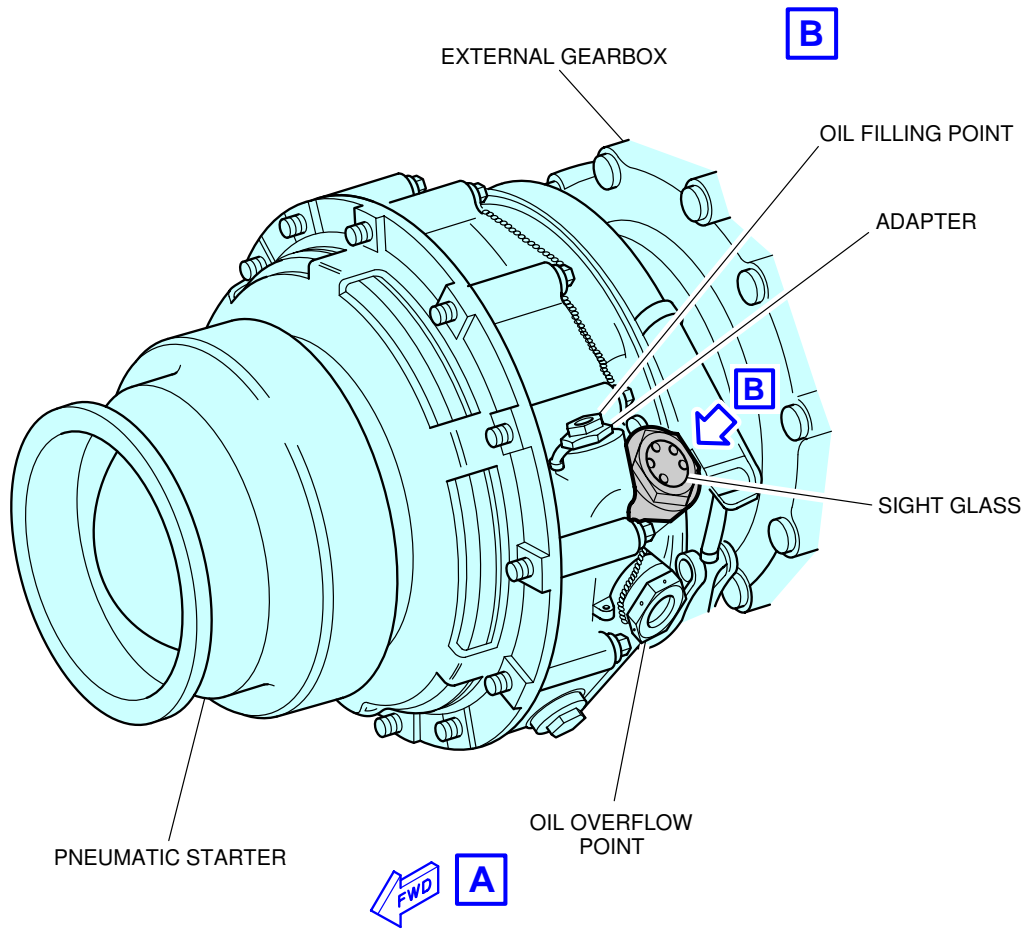
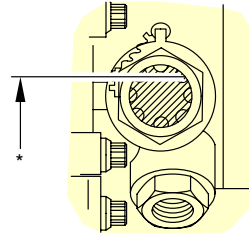
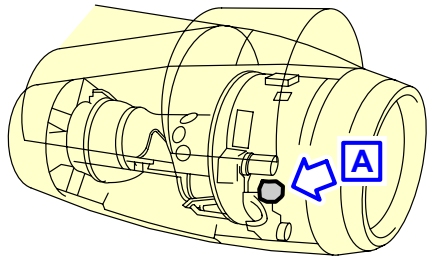


N_AC_050408_1_0060201_01_00

Ground Service Connections
Engine Oil Tank – IAE V2500 Series Engine
FIGURE-5-4-8-991-006-B01

**ON A/C A321-100 A321-200

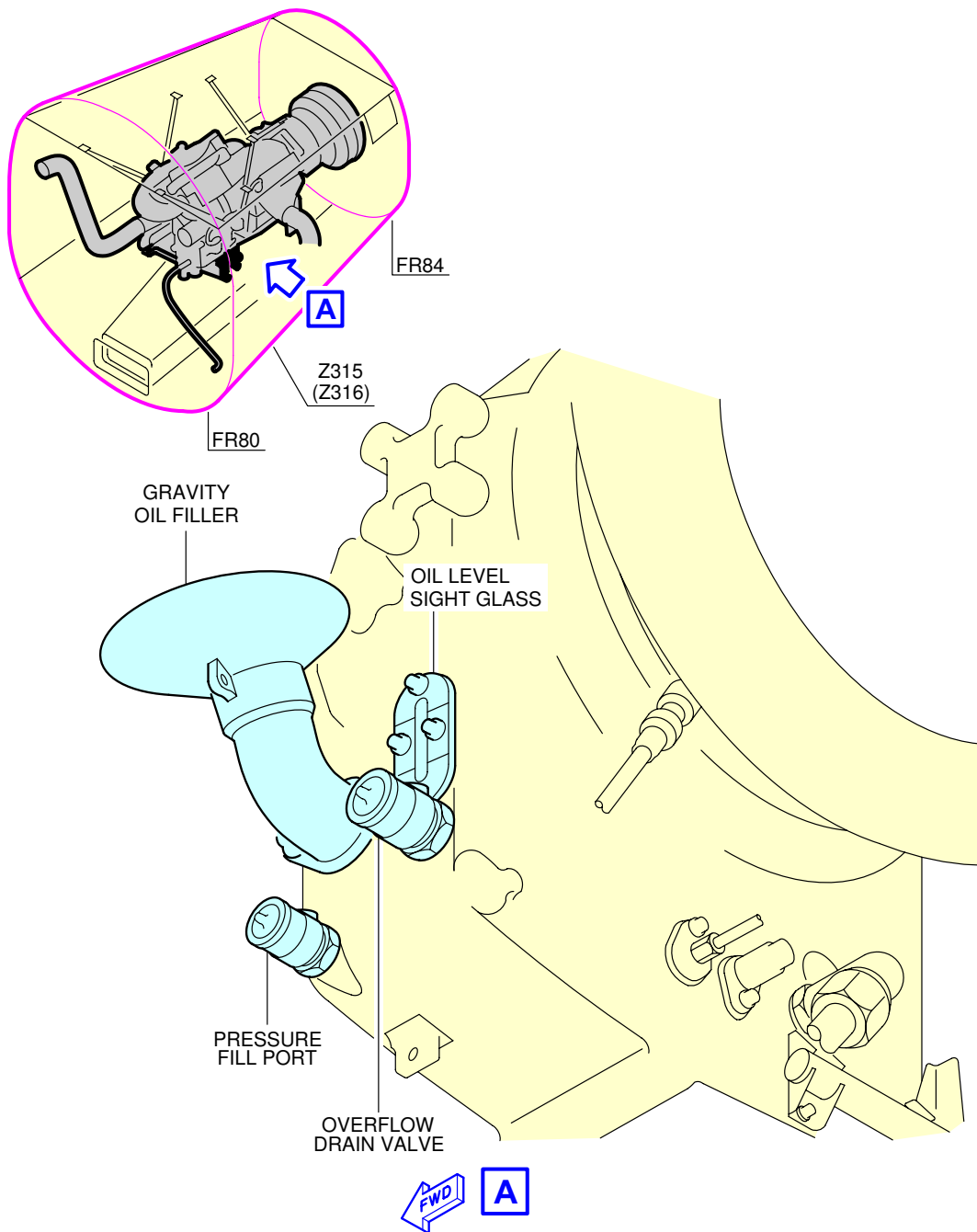
* THE STARTER IS FULL WHEN THE OIL LEVEL SHOWS NOT LESS THAN 3/4 FULL ON THE SIGHT GLASS



N_AC_050408_1_0080201_01_00

Ground Service Connections
 Starter Oil Tank – IAE V2500 Series Engine
 FIGURE-5-4-8-991-008-B01

**ON A/C A321-100 A321-200 A321neo



N_AC_050408_1_0090101_01_00

Ground Service Connections
APU Oil Tank
FIGURE-5-4-8-991-009-A01

5-4-9 Potable Water System

****ON A/C A321-100 A321-200 A321neo**

Potable Water System

1. Potable Water Ground Service Panels

ACCESS	DISTANCE			
	AFT OF NOSE	POSITION FROM AIRCRAFT CENTERLINE		MEAN HEIGHT FROM GROUND
		LH SIDE	RH SIDE	
Potable-Water Service Panel: Access Door 171AL	38.2 m (125.33 ft)	0.3 m (0.98 ft)	-	2.6 m (8.53 ft)
Potable-Water Drain Panel: Access Door 133AL	11.8 m (38.71 ft)	0.15 m (0.49 ft)	-	1.75 m (5.74 ft)

NOTE : Distances are approximate.

2. Technical Specifications

A. Connectors:

- (1) On the potable-water service panel (Access Door 171AL)
 - Fill/Drain Nipple 3/4 in. (ISO 17775).
 - One ground air-pressure connector.
- (2) On the potable-water drain panel (Access Door 133AL)
 - Drain Nipple 3/4 in. (ISO 17775).

B. Usable capacity:

- Standard configuration - one tank: 200 l (53 US gal).

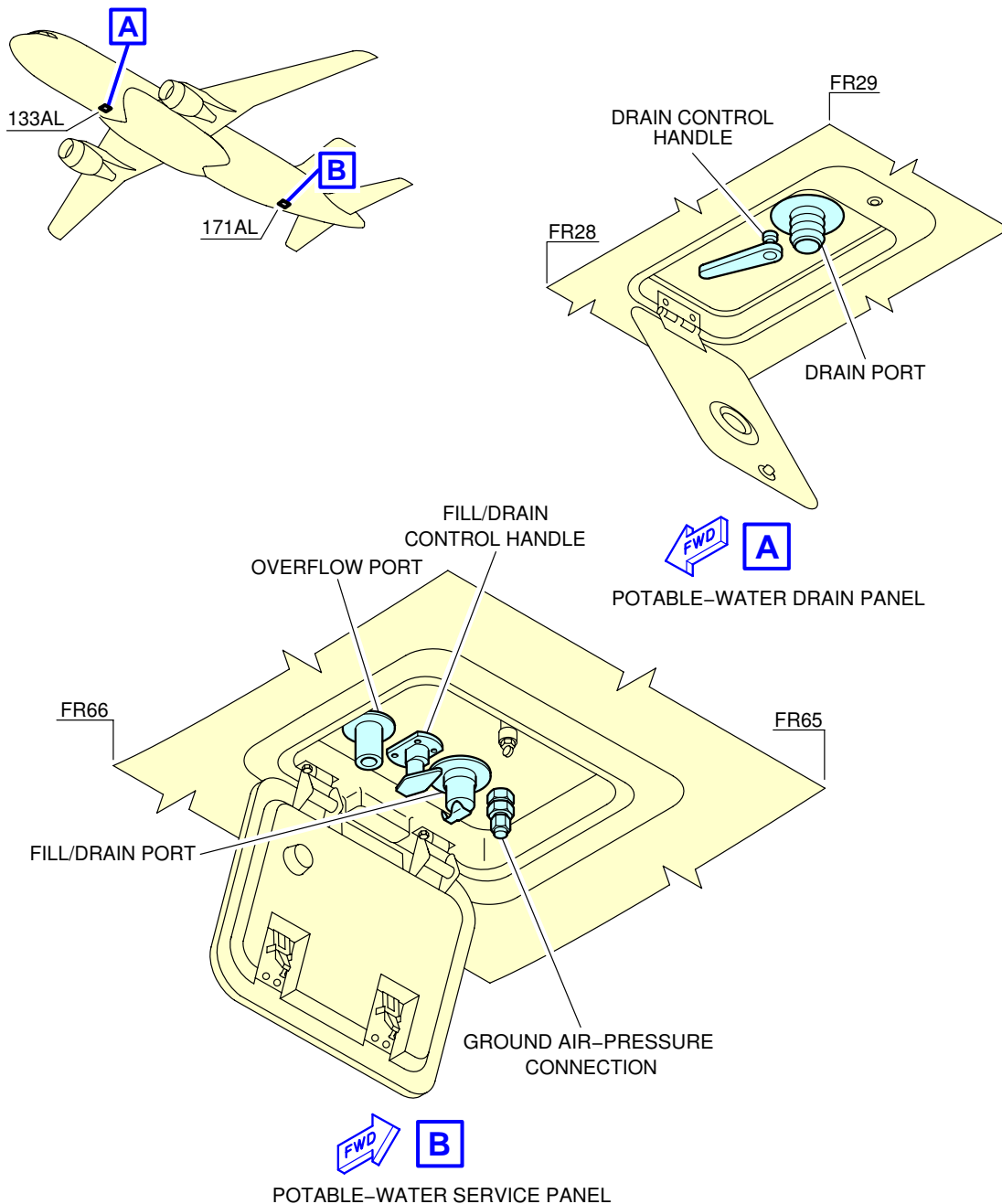
C. Filling pressure:

- 3.45 bar (50 psi).

D. Typical flow rate:

- 50 l/min (13 US gal/min).

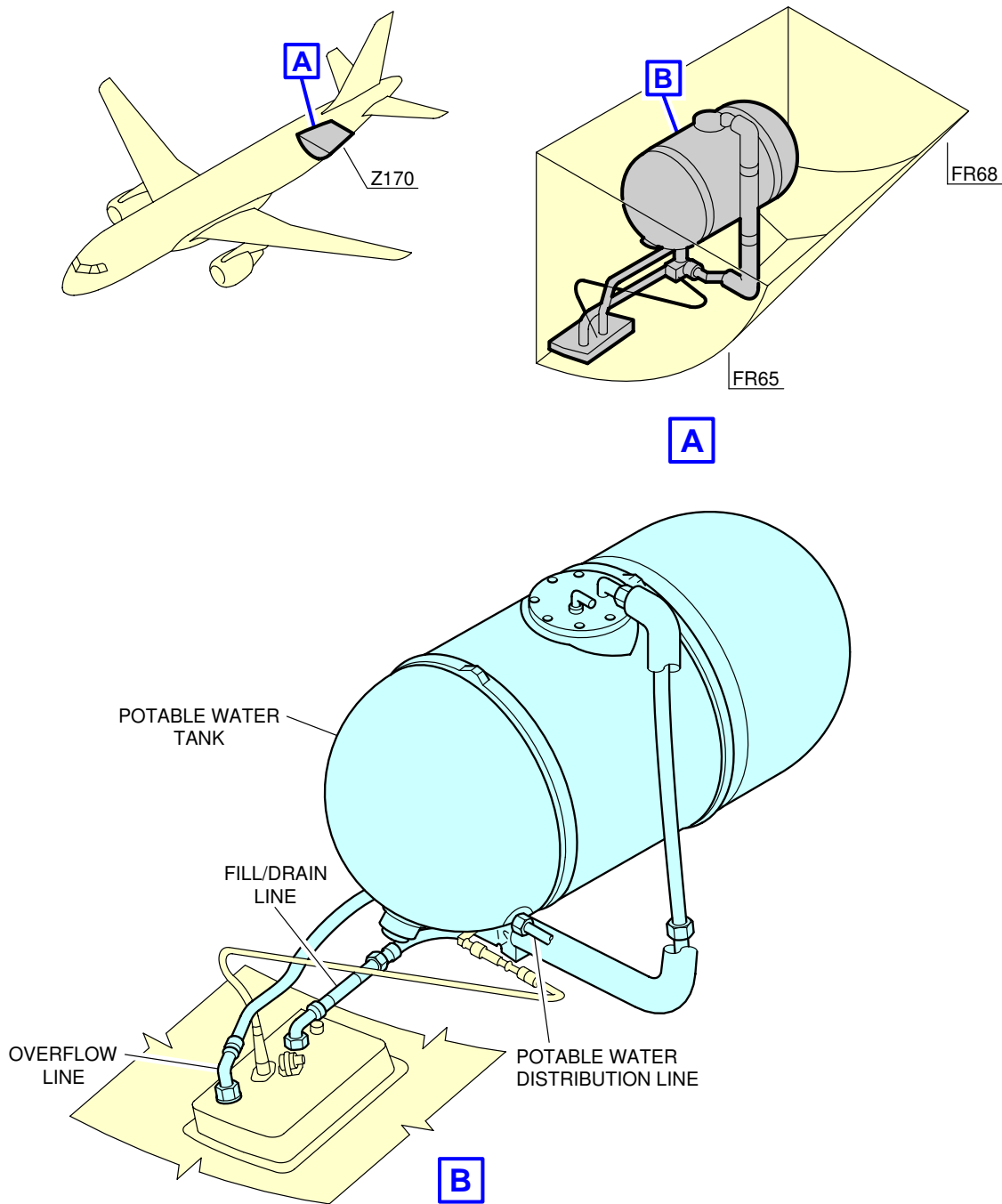
**ON A/C A321-100 A321-200 A321neo



N_AC_050409_1_0290101_01_00

Ground Service Connections
Potable Water Ground Service Panels
FIGURE-5-4-9-991-029-A01

**ON A/C A321-100 A321-200 A321neo



N_AC_050409_1_0300101_01_00

Ground Service Connections
Potable Water Tank Location
FIGURE-5-4-9-991-030-A01

5-4-10 Waste Water System

****ON A/C A321-100 A321-200 A321neo**

Waste Water System

1. Waste Water System

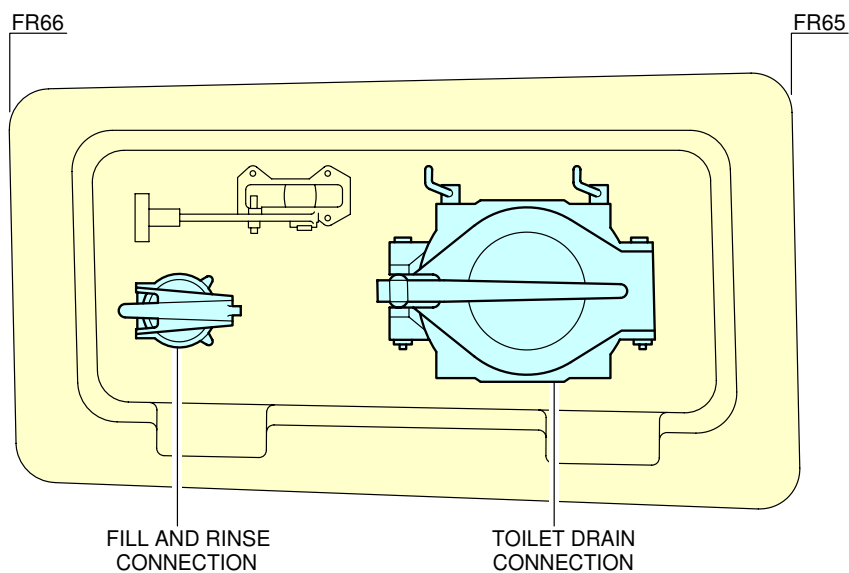
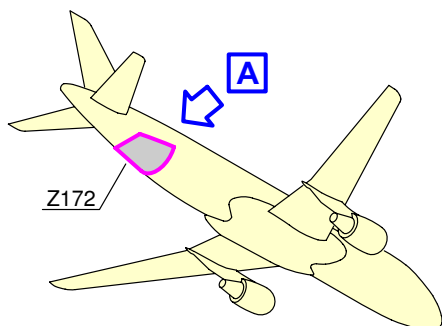
ACCESS	DISTANCE			MEAN HEIGHT FROM GROUND
	AFT OF NOSE	POSITION FROM AIRCRAFT CENTERLINE		
		LH SIDE	RH SIDE	
Waste-Water Ground Service Panel: Access door 172AR	38.2 m (125.33 ft)	-	0.8 m (2.62 ft)	2.8 m (9.19 ft)

NOTE : Distances are approximate.

2. Technical Specifications

- A. Connectors:
 - Draining: 4 in. (ISO 17775).
 - Flushing and filling: 1 in. (ISO 17775).
- B. Usable waste tank capacity:
 - Standard configuration - one tank: 177 l (47 US gal).
 - A321NEO-ACF- one tank: 250 l (66 US gal).
- C. Waste tank - Rinsing:
 - Operating pressure: 3.45 bar (50 psi).
- D. Waste tank - Precharge:
 - 10 l (3 US gal).

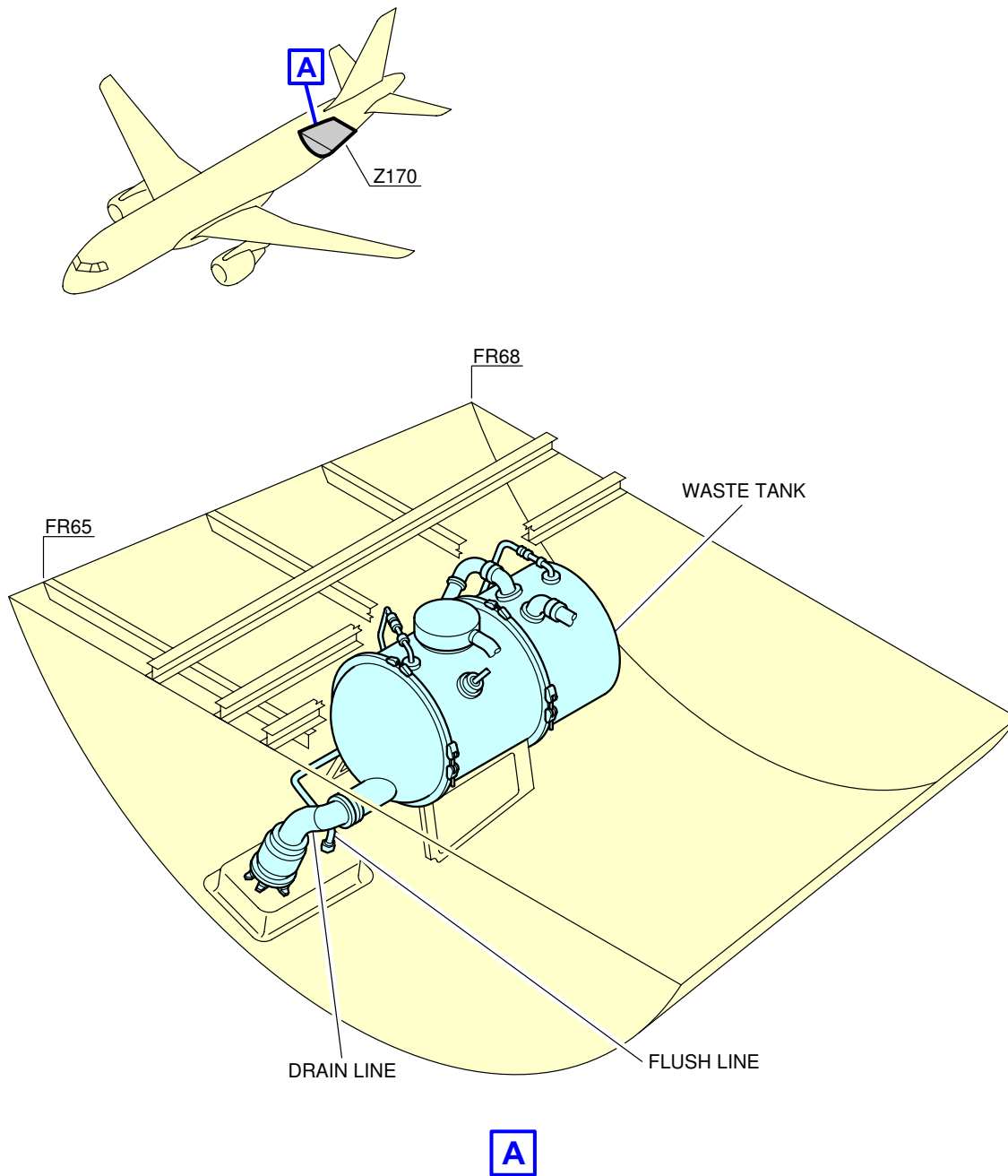
**ON A/C A321-100 A321-200 A321neo



N_AC_050410_1_0010101_01_00

Ground Service Connections
Waste Water Ground Service Panel
FIGURE-5-4-10-991-001-A01

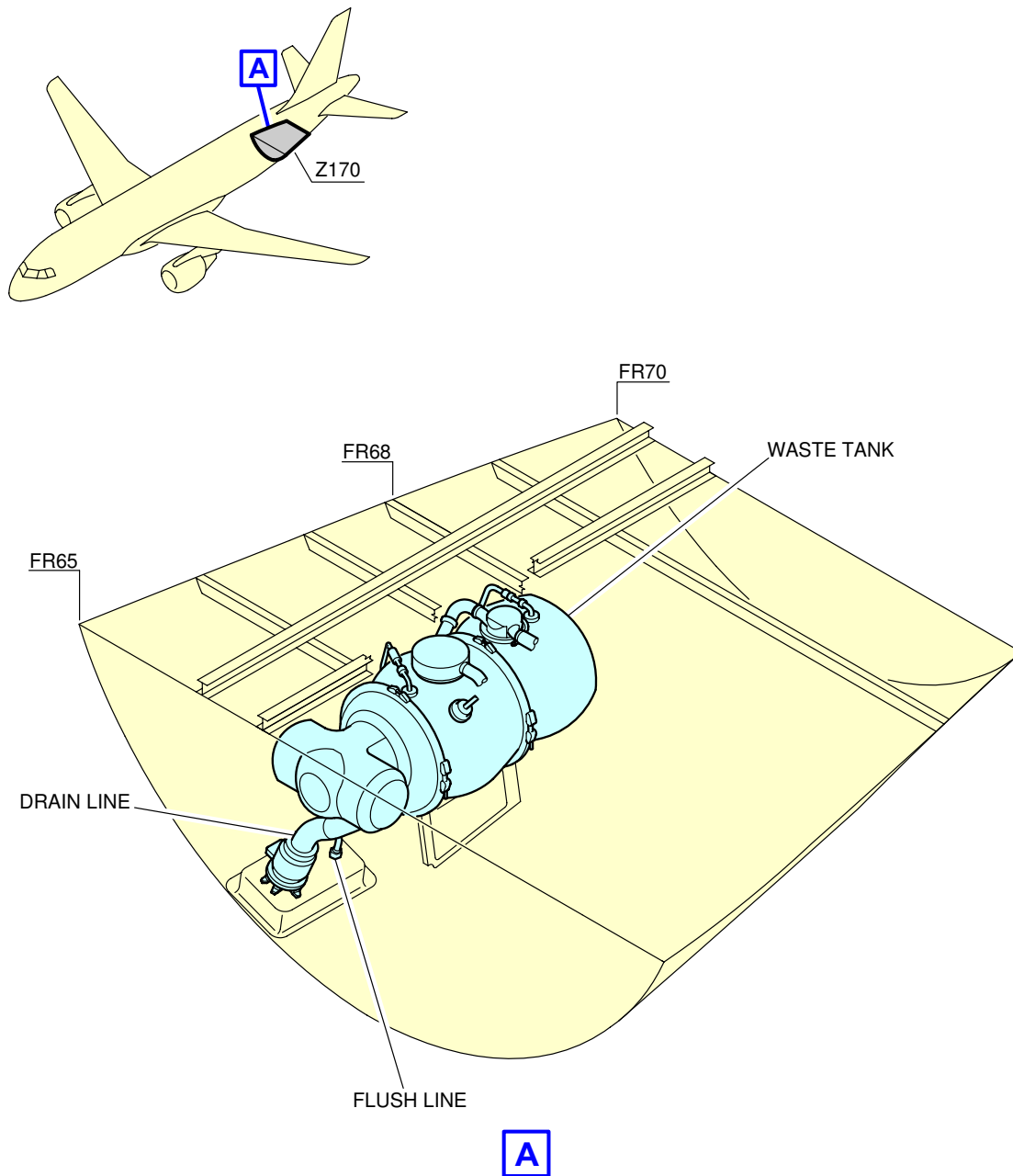
**ON A/C A321-100 A321-200 A321neo



N_AC_050410_1_0040101_01_00

Ground Service Connections
Waste Tank Location
FIGURE-5-4-10-991-004-A01

**ON A/C A321neo



N_AC_050410_1_0050101_01_00

Ground Service Connections for A321NEO-ACF
Waste Tank Location for A321NEO-ACF
FIGURE-5-4-10-991-005-A01

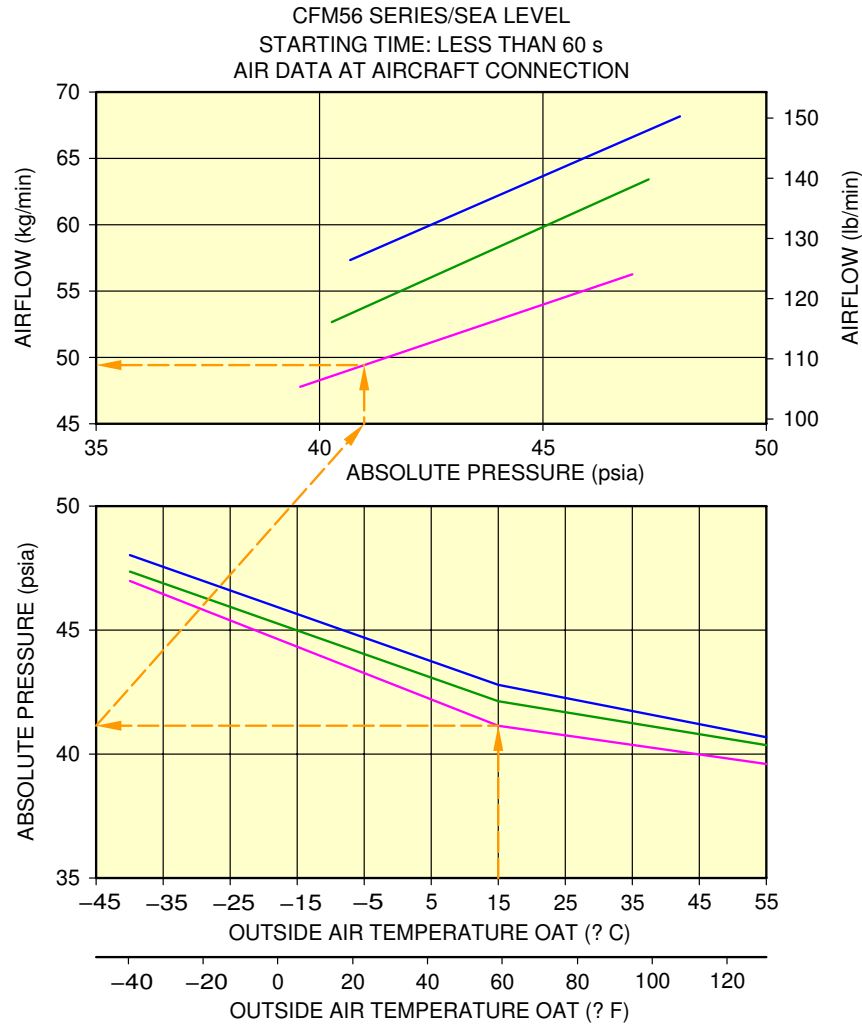
5-5-0 Engine Starting Pneumatic Requirements****ON A/C A321-100 A321-200 A321neo**Engine Starting Pneumatic Requirements

1. The purpose of this section is to provide the minimum air data requirements at the aircraft connection, needed to start the engine within no more than 60 seconds, at sea level (0 feet), for a set of Outside Air Temperatures (OAT).

ABBREVIATION	DEFINITION
A/C	Aircraft
ASU	Air Start Unit
HPGC	High Pressure Ground Connection
OAT	Outside Air Temperature

- A. Air data (discharge temperature, absolute discharge pressure) are given at the HPGC.
- B. For a given OAT the following charts are used to determine an acceptable combination for air discharge temperature, absolute discharge pressure and mass flow rate.
- C. This section addresses requirements for the ASU only, and is not representative of the start performance of the aircraft using the APU or engine cross bleed procedure.
- D. To protect the A/C, the charts feature, if necessary:
 - The maximum discharge pressure at the HPGC
 - The maximum discharge temperature at the HPGC.

****ON A/C A321-100 A321-200 A321neo**



ASU DISCHARGE TEMPERATURE:
 — 100° C (212° F)
 — 150° C (302° F)
 — 220° C (428° F) MAX.

EXAMPLE:

FOR AN OAT OF 15° C (59° F) AND AN ASU PROVIDING A DISCHARGE TEMPERATURE OF 220° C (428° F) AT HPGC:
 - THE REQUIRED PRESSURE AT HPGC IS 41 psia
 - THE REQUIRED AIRFLOW AT A/C CONNECTION IS 49.5 kg/min.

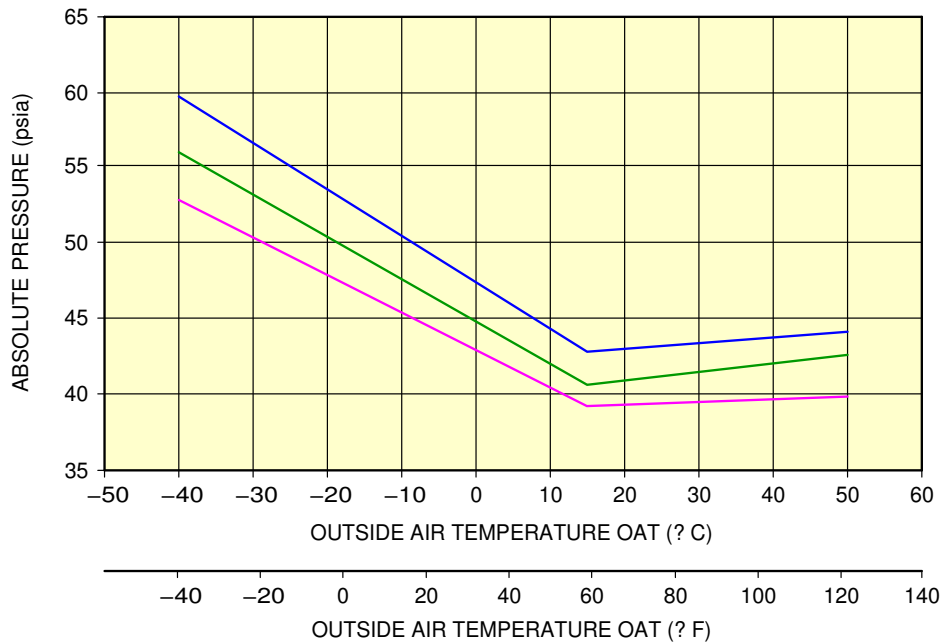
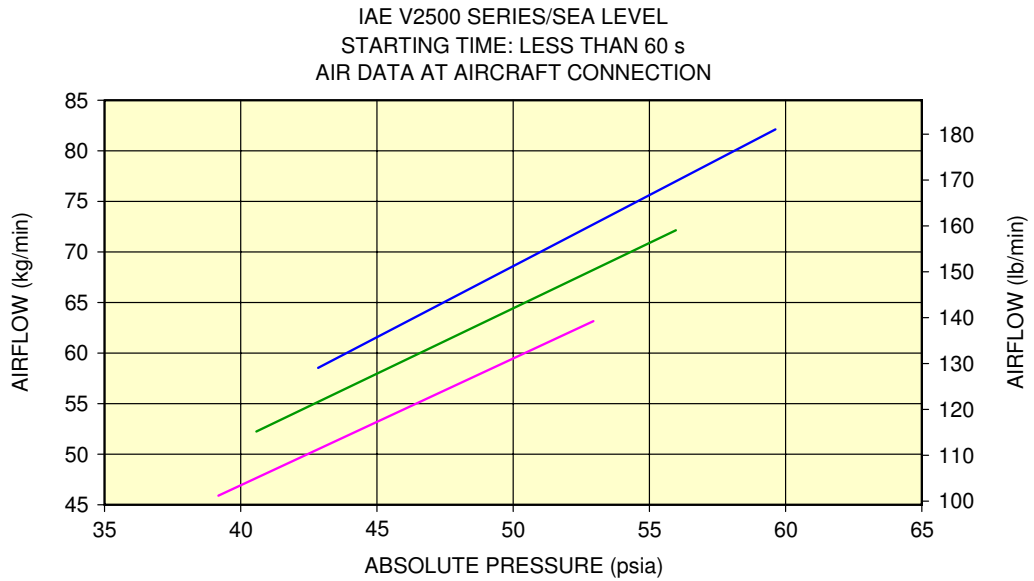
NOTE:

IN CASE THE ACTUAL DISCHARGE TEMPERATURE OF THE ASU DIFFERS SUBSTANTIALLY FROM THE ONES GIVEN IN THE CHARTS, A SIMPLE INTERPOLATION (LINEAR) IS SUFFICIENT TO DETERMINE THE REQUIRED AIR DATA.

N_AC_050500_1_0160101_01_00

Example for Use of the Charts
 FIGURE-5-5-0-991-016-A01

****ON A/C A321-100 A321-200**

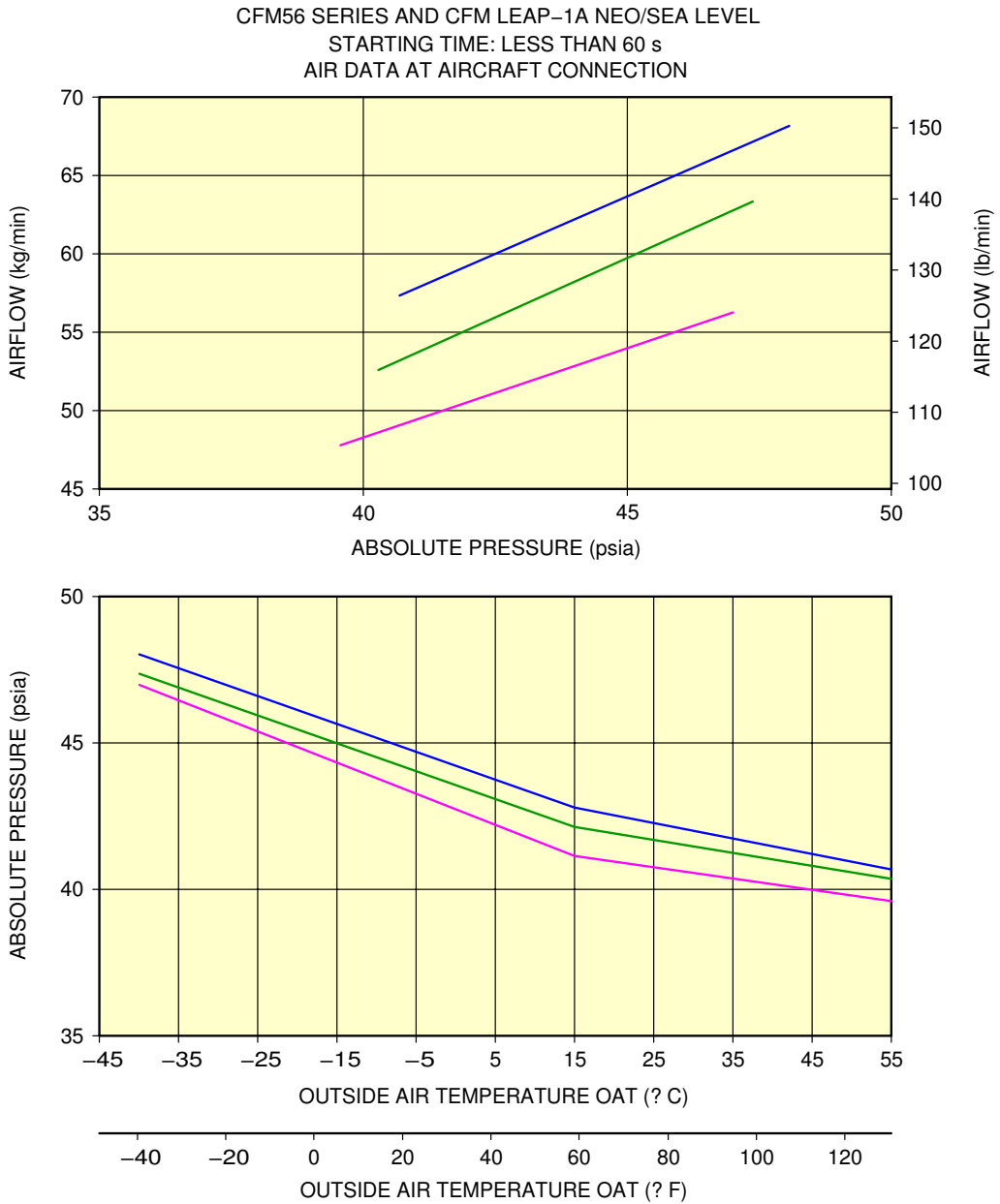


ASU DISCHARGE TEMPERATURE:
 — 100° C (212° F)
 — 150° C (302° F)
 — 220° C (428° F) MAX.

N_AC_050500_1_0170101_01_00

Engine Starting Pneumatic Requirements
IAE V2500 Series Engine
FIGURE-5-5-0-991-017-A01

**ON A/C A321-100 A321-200 A321neo

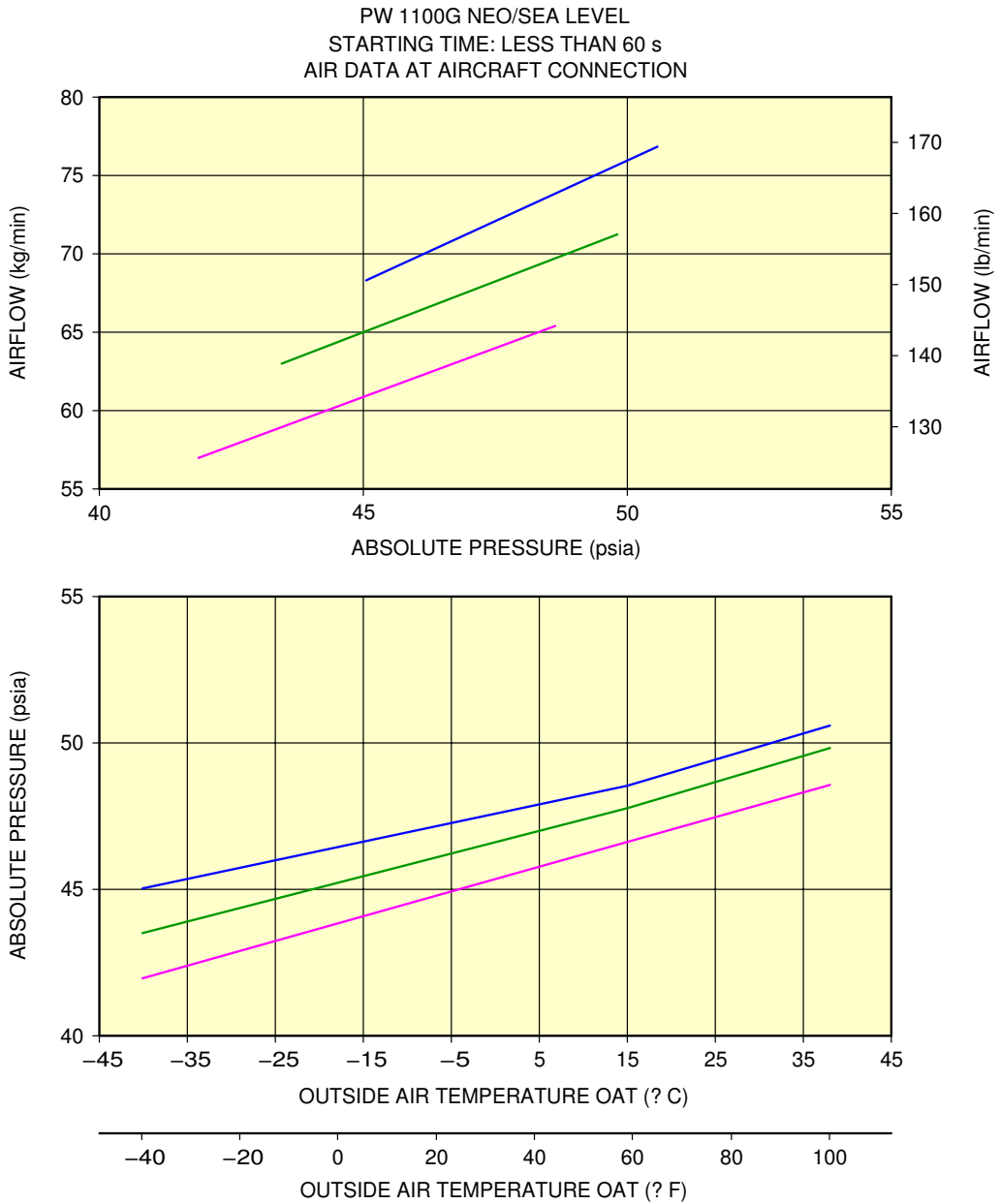


ASU DISCHARGE TEMPERATURE:
 - 100°C (212°F)
 - 150°C (302°F)
 - 220°C (428°F) MAX.

N_AC_050500_1_0180101_01_00

Engine Starting Pneumatic Requirements
 CFM56 Series and CFM LEAP-1A NEO Engine
 FIGURE-5-5-0-991-018-A01

**ON A/C A321neo



ASU DISCHARGE TEMPERATURE:
 — 100° C (212° F)
 — 150° C (302° F)
 — 220° C (428° F) MAX.

N_AC_050500_1_0190101_01_00

Engine Starting Pneumatic Requirements
 PW 1100G NEO Engine
 FIGURE-5-5-0-991-019-A01

5-6-0 Ground Pneumatic Power Requirements

****ON A/C A321-100 A321-200 A321neo**

Ground Pneumatic Power Requirements

1. General

This section describes the required performance for the ground equipment to maintain the cabin temperature at 27 °C (80.6 °F) for the cooling or 21 °C (69.8 °F) for heating cases after boarding (Section 5.7 - steady state), and provides the time needed to cool down or heat up the aircraft cabin to the required temperature (Section 5.6 - dynamic cases with aircraft empty).

ABBREVIATION	DEFINITION
A/C	Aircraft
AHM	Aircraft Handling Manual
AMM	Aircraft Maintenance Manual
GC	Ground Connection
GSE	Ground Service Equipment
IFE	In-Flight Entertainment
OAT	Outside Air Temperature
PCA	Pre-Conditioned Air

- A. The air flow rates and temperature requirements for the GSE, provided in Sections 5.6 and 5.7, are given at A/C ground connection.

NOTE : The cooling capacity of the equipment (kW) is only indicative and is not sufficient by itself to ensure the performance (outlet temperature and flow rate combinations are the requirements needed for ground power). An example of cooling capacity calculation is given in Section 5.7.

NOTE : The maximum air flow is driven by pressure limitation at the ground connection.

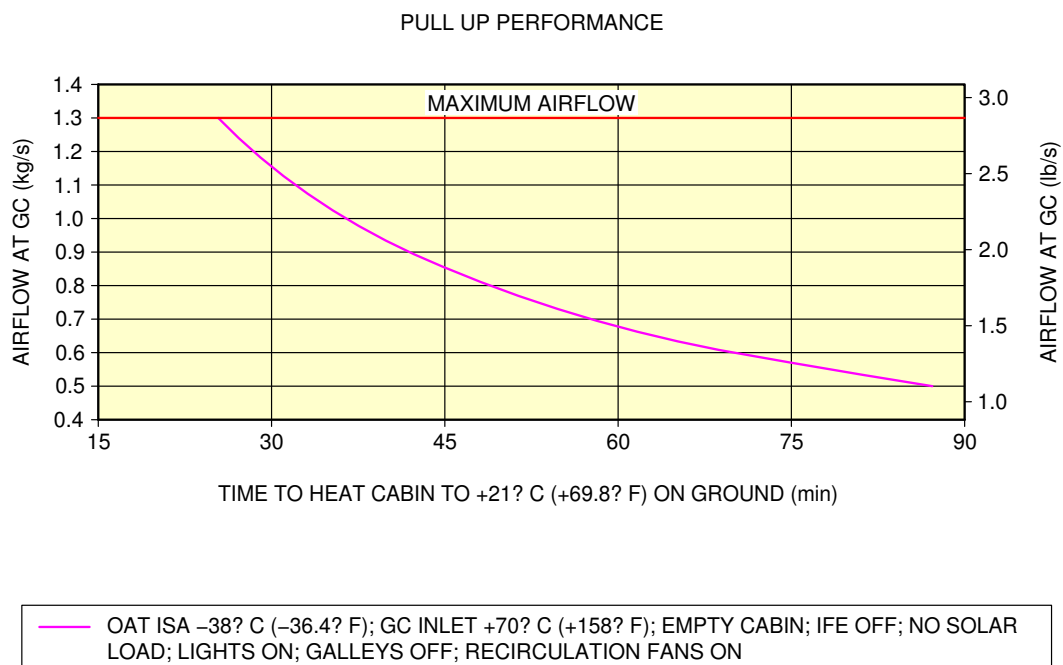
- B. For temperatures at ground connection below 2 °C (35.6 °F) (Subfreezing), the ground equipment shall be compliant with the Airbus document "Subfreezing PCA Carts - Compliance Document for Suppliers" (contact Airbus to obtain this document) defining all the requirements with which Subfreezing Pre-Conditioning Air equipment must comply to allow its use on Airbus aircraft. These requirements are in addition to the functional specifications included in the IATA AHM997.

2. Ground Pneumatic Power Requirements

This section provides the ground pneumatic power requirements for:

- Heating (pull up) the cabin, initially at OAT, up to 21 °C (69.8 °F) (see FIGURE 5-6-0-991-001-A)
- Cooling (pull down) the cabin, initially at OAT, down to 27 °C (80.6 °F) (see FIGURE 5-6-0-991-002-A).

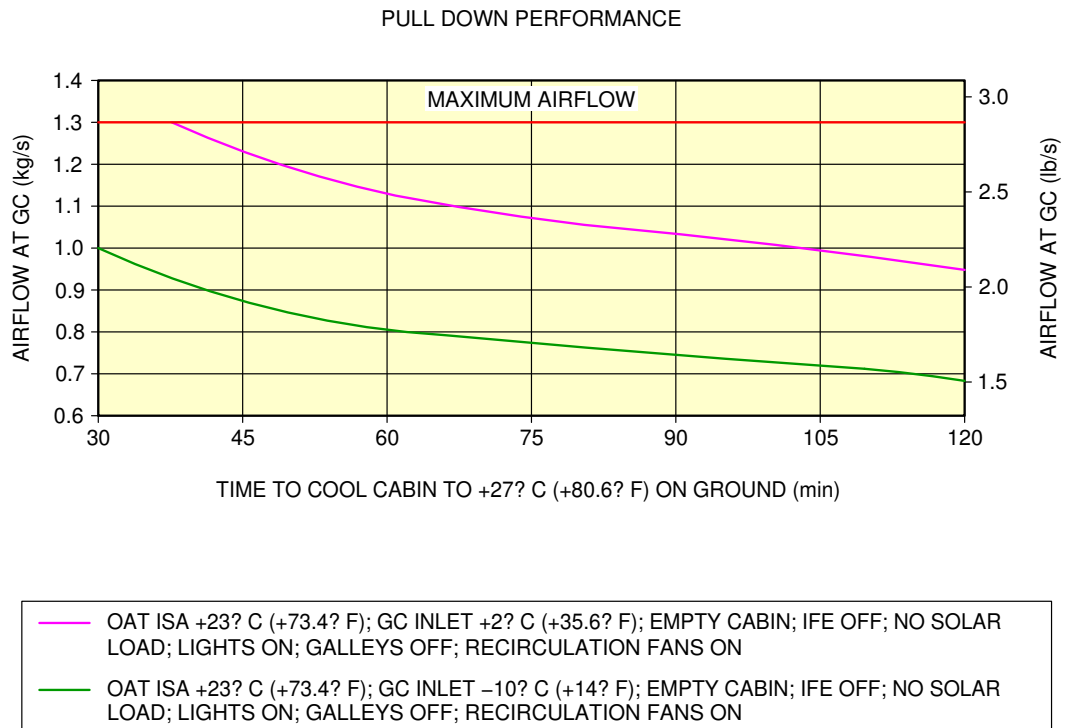
**ON A/C A321-100 A321-200 A321neo



N_AC_050600_1_0010101_01_00

Ground Pneumatic Power Requirements
Heating
FIGURE-5-6-0-991-001-A01

****ON A/C A321-100 A321-200 A321neo**



N_AC_050600_1_0020101_01_00

Ground Pneumatic Power Requirements
Cooling
FIGURE-5-6-0-991-002-A01

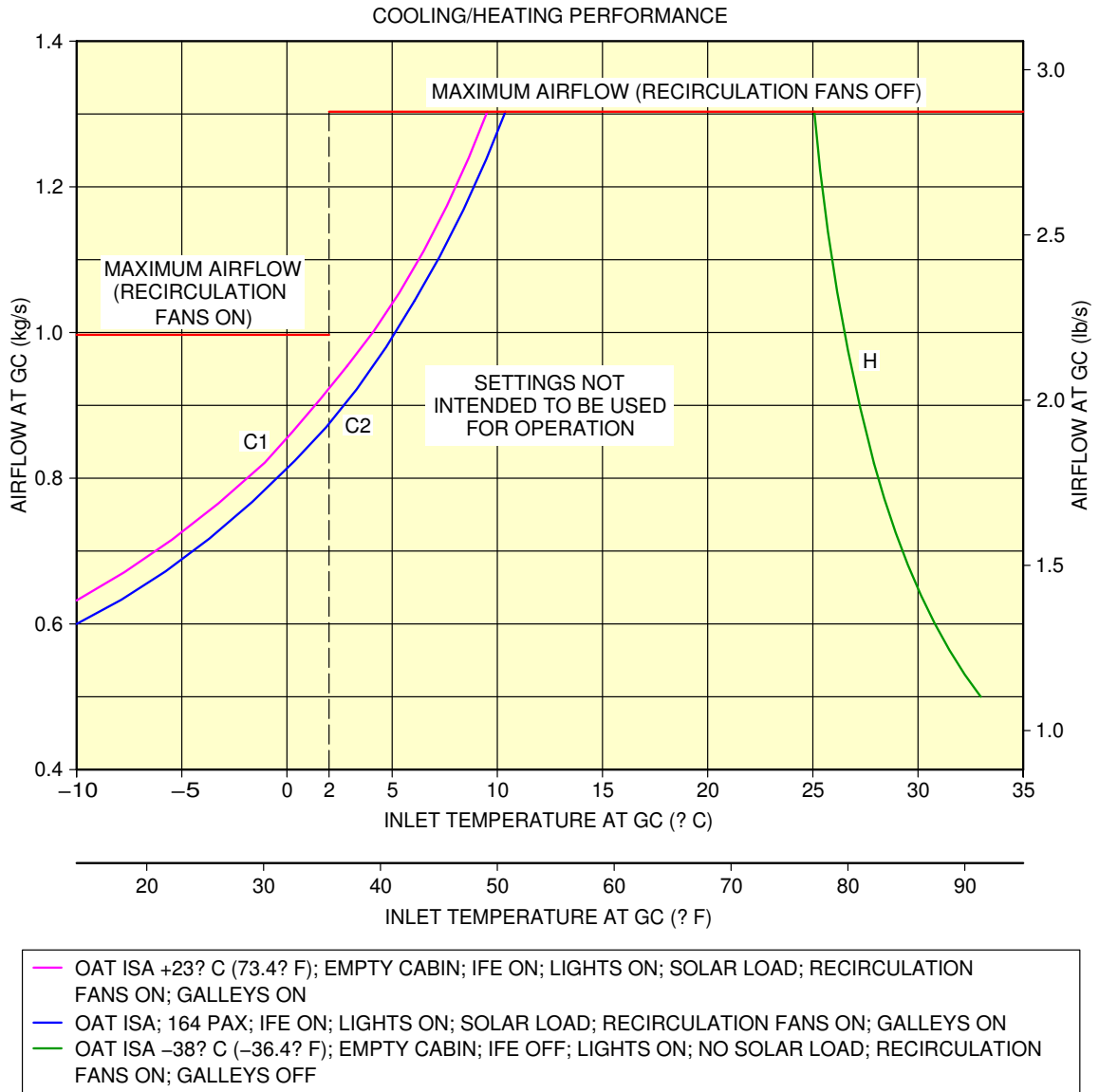
5-7-0 Preconditioned Airflow Requirements****ON A/C A321-100 A321-200 A321neo**Preconditioned Airflow Requirements

1. This section provides the preconditioned airflow rate and temperature needed to maintain the cabin temperature at 27 °C (80.6 °F) for the cooling or 21 °C (69.8 °F) for the heating cases.

These settings are not intended to be used for operation (they are not a substitute for the settings given in the AMM). They are based on theoretical simulations and give the picture of a real steady state.

The purpose of the air conditioning (cooling) operation (described in the AMM) is to maintain the cabin temperature below 27 °C (80.6 °F) during boarding (therefore it is not a steady state).

**ON A/C A321-100 A321-200 A321neo



N_AC_050700_1_0030101_01_04

Preconditioned Airflow Requirements
FIGURE-5-7-0-991-003-A01

5-8-0 Ground Towing Requirements

****ON A/C A321-100 A321-200 A321neo**

Ground Towing Requirements

1. This section provides information on aircraft towing.
This aircraft is designed with means for conventional or towbarless towing. Information/procedures can be found for both in AMM 09.
Status on towbarless towing equipment qualification can be found in ISI 09.11.00001.

NOTE : The NLG steering deactivation pin has the same design for all Airbus programs.

One towbar fitting is installed at the front of the leg.

The main landing gears have attachment points for towing or debogging (for details, refer ARM 07).

This section shows the chart to determine the drawbar pull and tow tractor mass requirements as a function of the following physical characteristics:

- Aircraft weight,
- Number of engines at idle,
- Slope.

The chart is based on the engine type with the highest idle thrust level.

2. Towbar design guidelines

The aircraft towbar shall comply with the following standards:

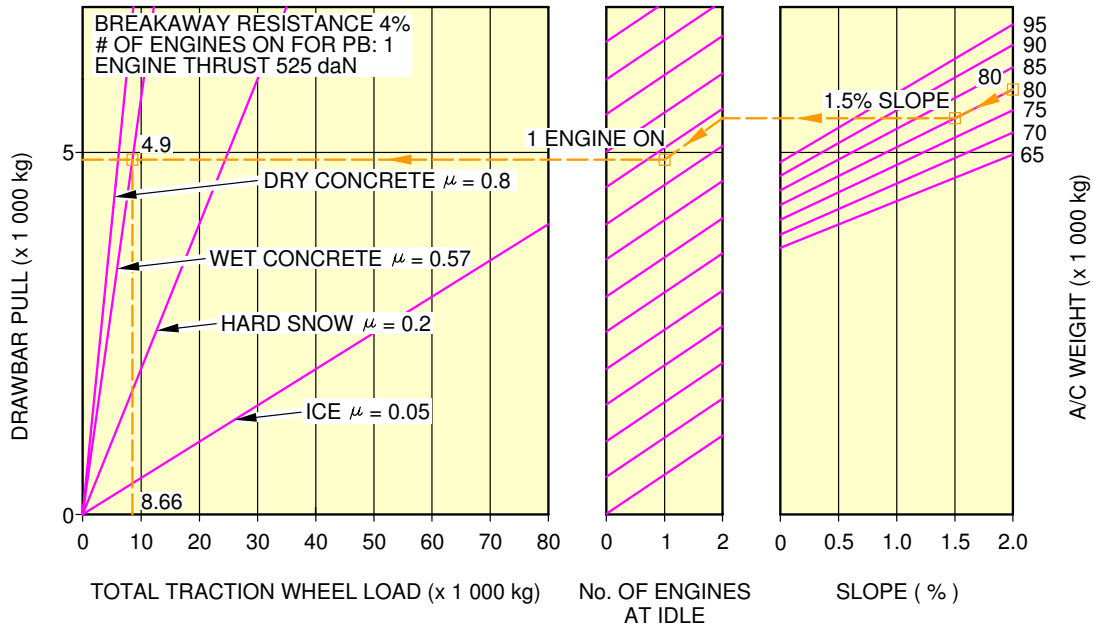
- ISO 8267-1, "Aircraft - Towbar Attachment Fitting - Interface Requirements - Part 1: Main Line Aircraft",
- SAE AS 1614, "Main Line Aircraft Towbar Attach Fitting Interface",
- SAE ARP 1915, "Aircraft Towbar",
- ISO 9667, "Aircraft Ground Support Equipment - Towbar - Connection to Aircraft and Tractor",
- EN 12312-7, "Aircraft Ground Support Equipment - Specific Requirements - Part 7: Aircraft Movement Equipment",
- IATA Airport Handling Manual AHM 958, "Functional Specification for an Aircraft Towbar".

A conventional type towbar is required which should be equipped with a damping system (to protect the nose gear against jerks) and with towing shear pins:

- A traction shear pin calibrated at 9 425 daN (21 188 lbf),
- A torsion pin calibrated at 826 m.daN (6 092 lbf.ft).

The towing head is designed according to ISO 8267-1, cat. I.

****ON A/C A321-100 A321-200**



EXAMPLE HOW TO DETERMINE THE MASS REQUIREMENT TO TOW A A321 AT 80 000 kg, AT 1.5% SLOPE, 1 ENGINE AT IDLE AND FOR WET TARMAC CONDITIONS:

- ON THE RIGHT HAND SIDE OF THE GRAPH, CHOOSE THE RELEVANT AIRCRAFT WEIGHT (80 000 kg),
- FROM THIS POINT DRAW A PARALLEL LINE TO THE REQUIRED SLOPE PERCENTAGE (1.5%),
- FROM THE POINT OBTAINED DRAW A STRAIGHT HORIZONTAL LINE UNTIL No. OF ENGINES AT IDLE = 2,
- FROM THIS POINT DRAW A PARALLEL LINE TO THE REQUESTED No. OF ENGINES (1),
- FROM THIS POINT DRAW A STRAIGHT HORIZONTAL LINE TO THE DRAWBAR PULL AXIS,
- THE Y-COORDINATE OBTAINED IS THE NECESSARY DRAWBAR PULL FOR THE TRACTOR (4 900 kg),
- SEARCH THE INTERSECTION WITH THE "WET CONCRETE" LINE.
- THE OBTAINED X-COORDINATE IS THE TOTAL TRACTION WHEEL LOAD (8 660 kg).

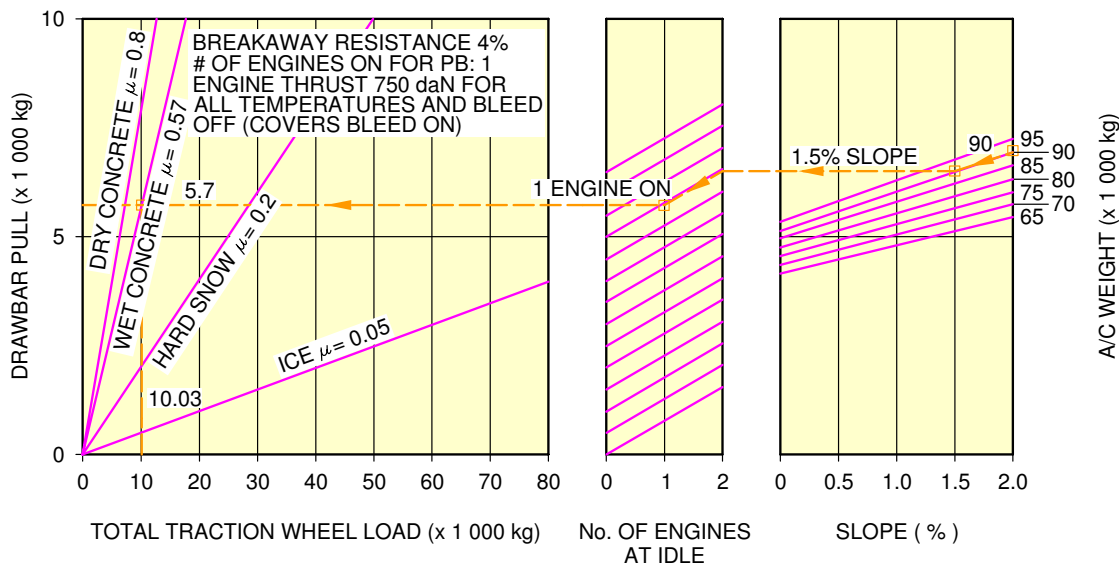
NOTE:

USE A TRACTOR WITH A LIMITED DRAWBAR PULL TO PREVENT LOADS ABOVE THE TOW-BAR SHEAR-PIN CAPACITY.

N_AC_050800_1_0010401_01_06

Ground Towing Requirements
 FIGURE-5-8-0-991-001-D01

****ON A/C A321neo**



EXAMPLE HOW TO DETERMINE THE MASS REQUIREMENT TO TOW A A321 AT 90 000 kg, AT 1.5% SLOPE, 1 ENGINE AT IDLE AND FOR WET TARMAc CONDITIONS:

- ON THE RIGHT HAND SIDE OF THE GRAPH, CHOOSE THE RELEVANT AIRCRAFT WEIGHT (90 000 kg),
- FROM THIS POINT DRAW A PARALLEL LINE TO THE REQUIRED SLOPE PERCENTAGE (1.5%),
- FROM THE POINT OBTAINED DRAW A STRAIGHT HORIZONTAL LINE UNTIL No. OF ENGINES AT IDLE = 2,
- FROM THIS POINT DRAW A PARALLEL LINE TO THE REQUESTED No. OF ENGINES (1),
- FROM THIS POINT DRAW A STRAIGHT HORIZONTAL LINE TO THE DRAWBAR PULL AXIS,
- THE Y-COORDINATE OBTAINED IS THE NECESSARY DRAWBAR PULL FOR THE TRACTOR (5 700 kg),
- SEARCH THE INTERSECTION WITH THE "WET CONCRETE" LINE.
- THE OBTAINED X-COORDINATE IS THE TOTAL TRACTION WHEEL LOAD (10 030 kg).

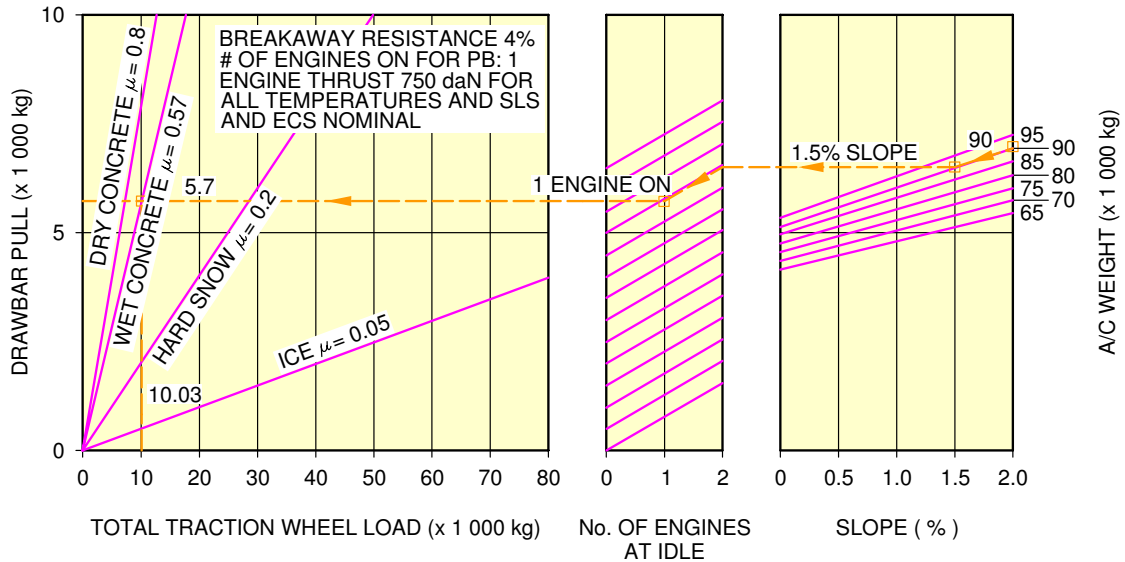
NOTE:

USE A TRACTOR WITH A LIMITED DRAWBAR PULL TO PREVENT LOADS ABOVE THE TOW-BAR SHEAR-PIN CAPACITY.

N_AC_050800_1_0010701_01_00

Ground Towing Requirements
 PW 1100G Engine (Sheet 1 of 2)
 FIGURE-5-8-0-991-001-G01

**ON A/C A321neo



EXAMPLE HOW TO DETERMINE THE MASS REQUIREMENT TO TOW A A321 AT 90 000 kg, AT 1.5% SLOPE, 1 ENGINE AT IDLE AND FOR WET TARMAC CONDITIONS:

- ON THE RIGHT HAND SIDE OF THE GRAPH, CHOOSE THE RELEVANT AIRCRAFT WEIGHT (90 000 kg),
- FROM THIS POINT DRAW A PARALLEL LINE TO THE REQUIRED SLOPE PERCENTAGE (1.5%),
- FROM THE POINT OBTAINED DRAW A STRAIGHT HORIZONTAL LINE UNTIL No. OF ENGINES AT IDLE = 2,
- FROM THIS POINT DRAW A PARALLEL LINE TO THE REQUESTED No. OF ENGINES (1),
- FROM THIS POINT DRAW A STRAIGHT HORIZONTAL LINE TO THE DRAWBAR PULL AXIS,
- THE Y-COORDINATE OBTAINED IS THE NECESSARY DRAWBAR PULL FOR THE TRACTOR (5 700 kg),
- SEARCH THE INTERSECTION WITH THE "WET CONCRETE" LINE.
- THE OBTAINED X-COORDINATE IS THE TOTAL TRACTION WHEEL LOAD (10 030 kg).

NOTE:

USE A TRACTOR WITH A LIMITED DRAWBAR PULL TO PREVENT LOADS ABOVE THE TOW-BAR SHEAR-PIN CAPACITY.

N_AC_050800_1_0010702_01_00

Ground Towing Requirements
CFM LEAP-1A Engine (Sheet 2 of 2)
FIGURE-5-8-0-991-001-G01

5-9-0 De-Icing and External Cleaning

****ON A/C A321-100 A321-200 A321neo**

De-Icing and External Cleaning

1. De-Icing and External Cleaning on Ground
The mobile equipment for aircraft de-icing and external cleaning must be capable of reaching heights up to approximately 13 m (43 ft).

2. De-Icing

AIRCRAFT TYPE	Wing Top Surface (Both Sides)		Wingtip Devices (Both Inside and Outside Surfaces) (Both Sides)		HTP Top Surface (Both Sides)		VTP (Both Sides)	
	m ²	ft ²	m ²	ft ²	m ²	ft ²	m ²	ft ²
A321	103	1 109	2	22	27	291	43	463
A321 Sharklet/neo	103	1 109	10	108	27	291	43	463

AIRCRAFT TYPE	Fuselage Top Surface (Top Third - 120° Arc)		Nacelle and Pylon (Top Third - 120° Arc) (All Engines)		Total De-Iced Area	
	m ²	ft ²	m ²	ft ²	m ²	ft ²
A321	167	1 798	24	258	365	3 929
A321 Sharklet/neo	167	1 798	24	258	373	4 015

NOTE : Dimensions are approximate.

3. External Cleaning

AIRCRAFT TYPE	Wing Top Surface (Both Sides)		Wing Lower Surface (Including Flap Track Fairing) (Both Sides)		Wingtip Devices (Both Inside and Outside Surfaces) (Both Sides)	
	m ²	ft ²	m ²	ft ²	m ²	ft ²
A321	103	1 109	109	1 173	2	22
A321 Sharklet/neo	103	1 109	109	1 173	10	108

AIRCRAFT TYPE	HTP Top Surface (Both Sides)		HTP Lower Surface (Both Sides)		VTP (Both Sides)	
	m ²	ft ²	m ²	ft ²	m ²	ft ²
A321	27	291	27	291	43	463

AIRCRAFT TYPE	HTP Top Surface (Both Sides)		HTP Lower Surface (Both Sides)		VTP (Both Sides)	
	m ²	ft ²	m ²	ft ²	m ²	ft ²
A321 Sharklet/neo	27	291	27	291	43	463

AIRCRAFT TYPE	Fuselage and Belly Fairing		Nacelle and Pylon (All Engines)		Total Cleaned Area	
	m ²	ft ²	m ²	ft ²	m ²	ft ²
A321	510	5 490	73	786	895	9 634
A321 Sharklet/neo	510	5 490	73	786	902	9 709

NOTE : Dimensions are approximate.

OPERATING CONDITIONS

6-1-0 Engine Exhaust Velocities and Temperatures

****ON A/C A321-100 A321-200 A321neo**

Engine Exhaust Velocities and Temperatures

****ON A/C A321-100 A321-200**

1. General

This section provides the estimated engine exhaust efflux velocities and temperatures contours for Ground Idle, Breakaway and Maximum Take-Off (MTO) conditions.

****ON A/C A321neo**

2. General

This section provides the estimated engine exhaust velocity and temperature contours for MTO, Breakaway 12% MTO, Breakaway 24% MTO and Ground Idle conditions for the CFM LEAP-1A and PW 1100G engines.

The MTO data are presented at the maximum thrust rating. The Breakaway data are presented at a rating that corresponds to the minimum thrust level necessary to start the movement of the A/C from a static position at its maximum ramp weight. Breakaway thrust corresponds to 12% MTO if applied on both engines and 24% MTO when applied on a single engine (Idle thrust on the other engine).

The Idle data, provided by the engine manufacturer, are calculated for operational conditions ISA +15K (+15 °C), Sea Level, Static and no headwind. In the charts, the longitudinal distances are measured from the inboard engine core-nozzle exit section. The lateral distances are measured from the aircraft fuselage centerline.

The effects of on-wing installation are not taken into account. The effects of ground proximity are not taken into account for PW 1100G engines, but they are taken into account for the CFM LEAP-1A engines.

The velocity contours are presented at 50 ft/s (15 m/s), 100 ft/s (30 m/s) and 150 ft/s (46 m/s). The temperature contours are shown at 313K (+40 °C), 323K (+50 °C) and 333K (+60 °C). The velocity and temperature contours do not take into account possible variations affecting performance, such as ambient temperature, field elevation or failure cases leading to an abnormal bleed configuration. To evaluate the impact of these specific variables on the exhaust contours, a specific study of the airport where the aircraft is intended to operate should be carried out.



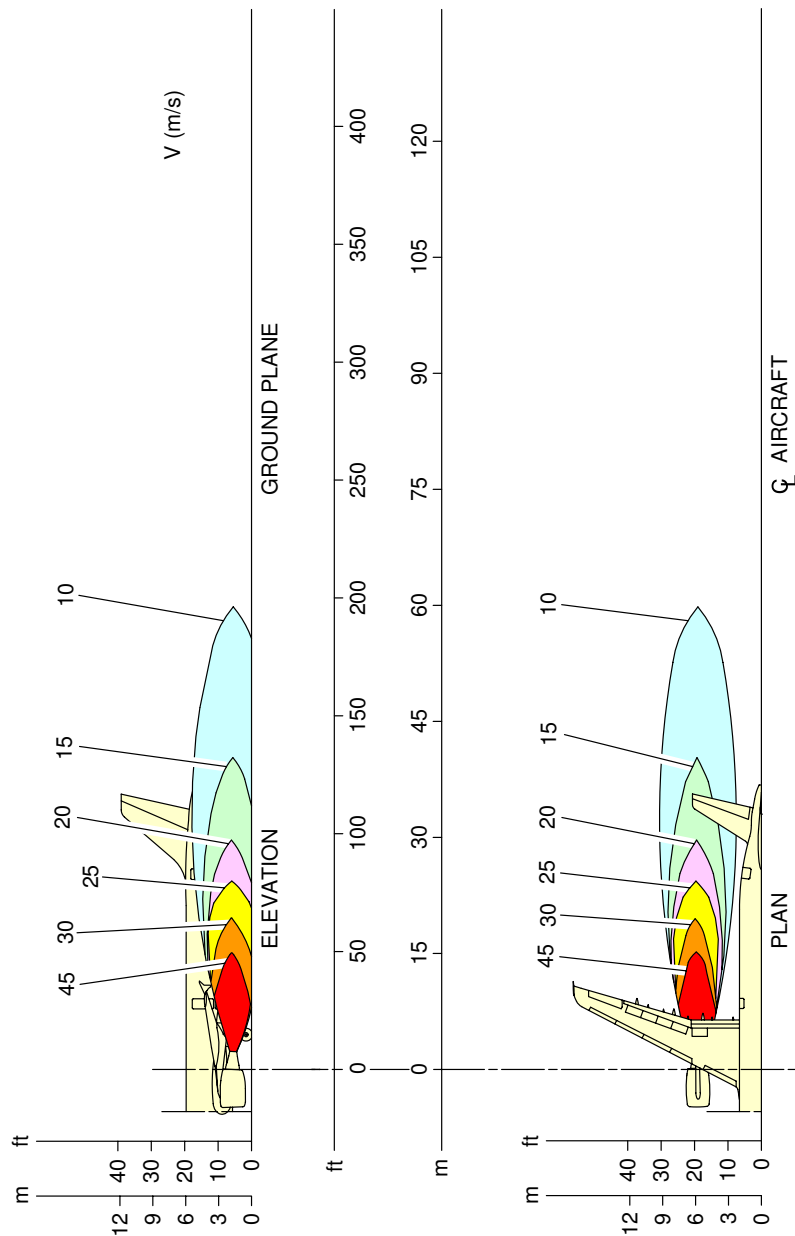
6-1-1 Engine Exhaust Velocities Contours - Ground Idle Power

****ON A/C A321-100 A321-200 A321neo**

Engine Exhaust Velocities Contours - Ground Idle Power

1. This section provides engine exhaust velocities contours at ground idle power.

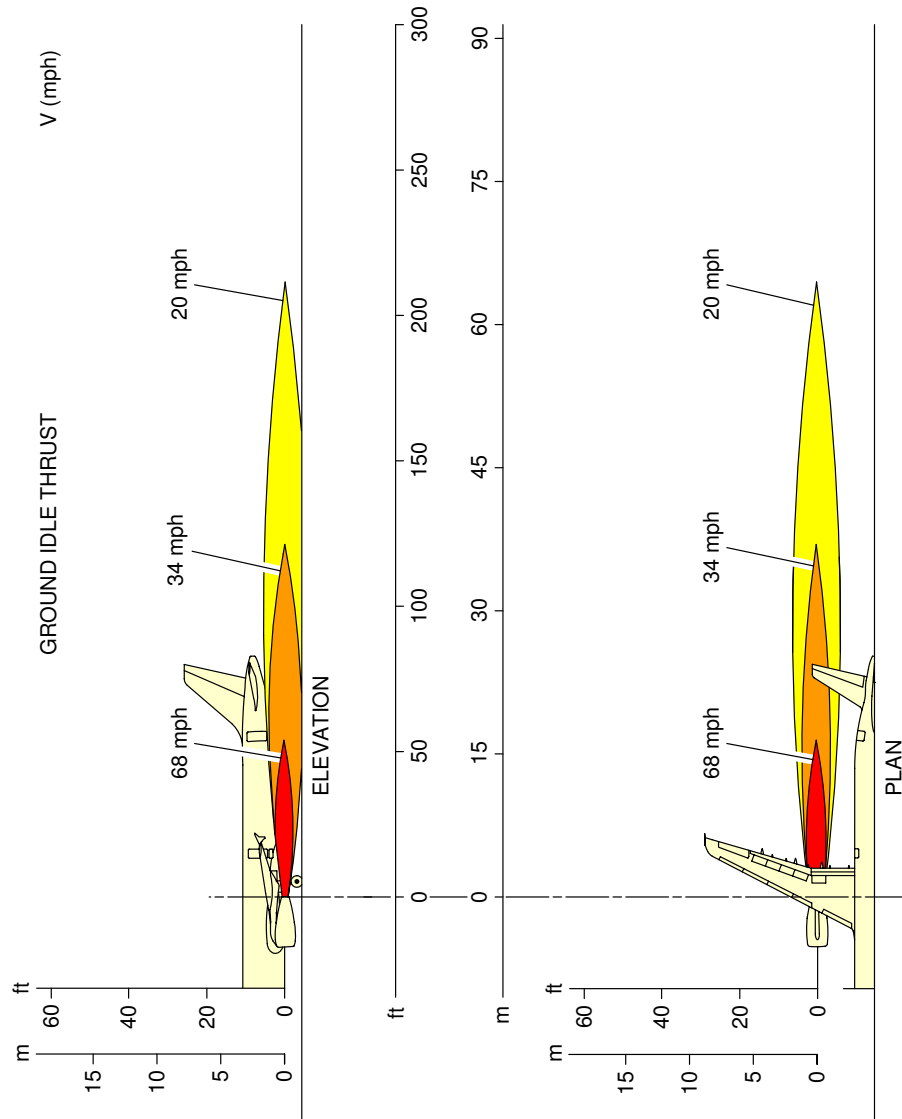
**ON A/C A321-100 A321-200



N_AC_060101_1_0070101_01_01

Engine Exhaust Velocities
 Ground Idle Power – CFM56-5B Series Engine
 FIGURE-6-1-1-991-007-A01

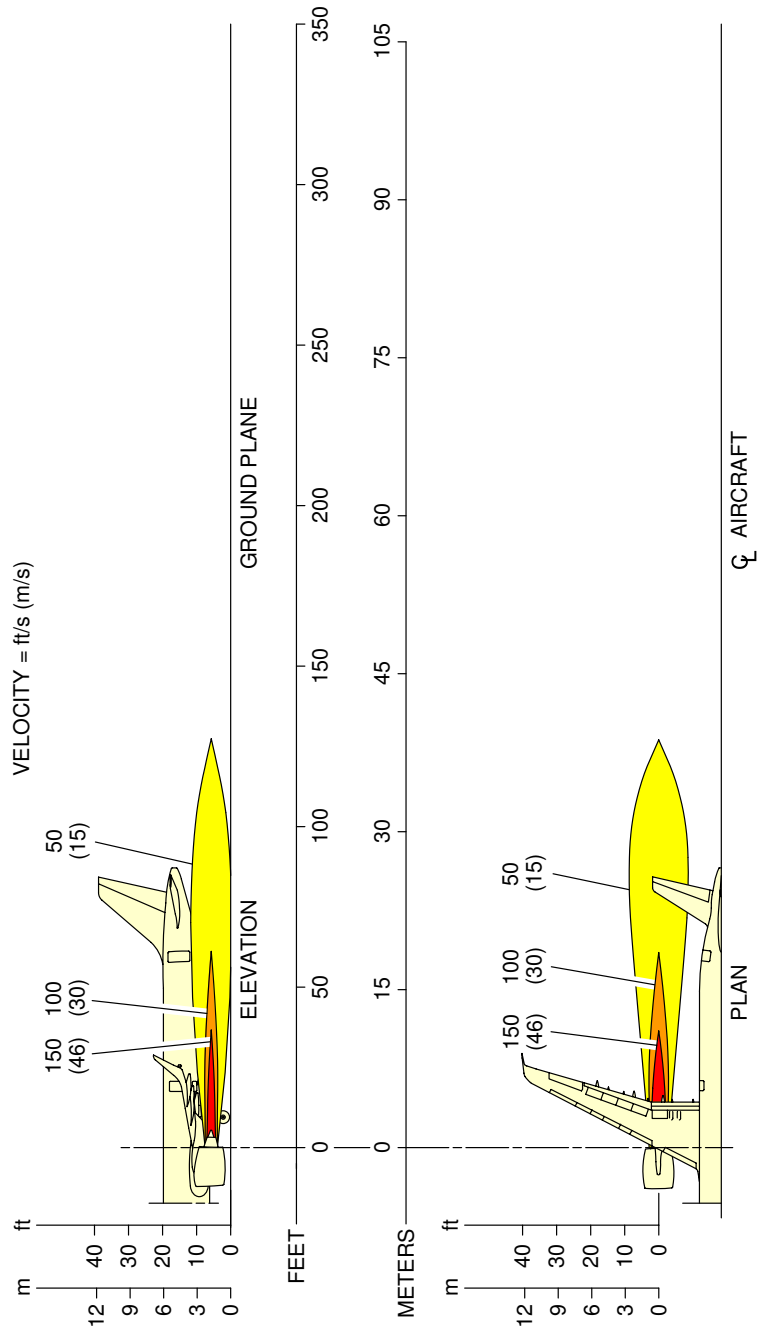
**ON A/C A321-100 A321-200



N_AC_060101_1_0080101_01_01

Engine Exhaust Velocities
 Ground Idle Power – IAE V2500 Series Engine
 FIGURE-6-1-1-991-008-A01

****ON A/C A321neo**

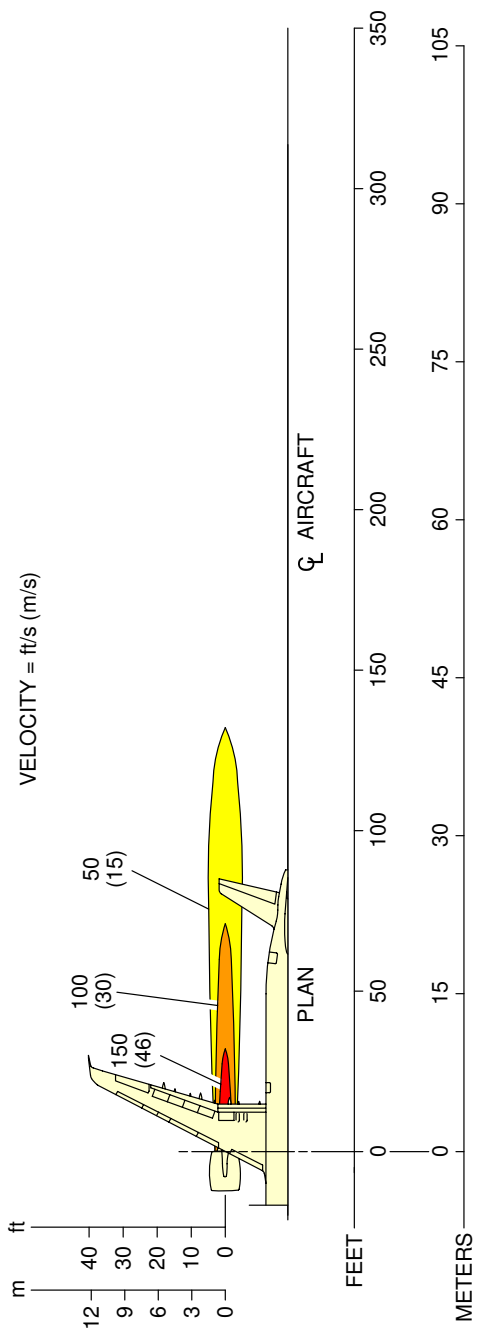


NOTE:
GROUND IDLE, SEA LEVEL, ISA+15K DAY, FN = 1 591 lbf.

N_AC_060101_1_0130101_01_00

Engine Exhaust Velocities
Ground Idle Power – CFM LEAP-1A Engine
FIGURE-6-1-1-991-013-A01

****ON A/C A321neo**



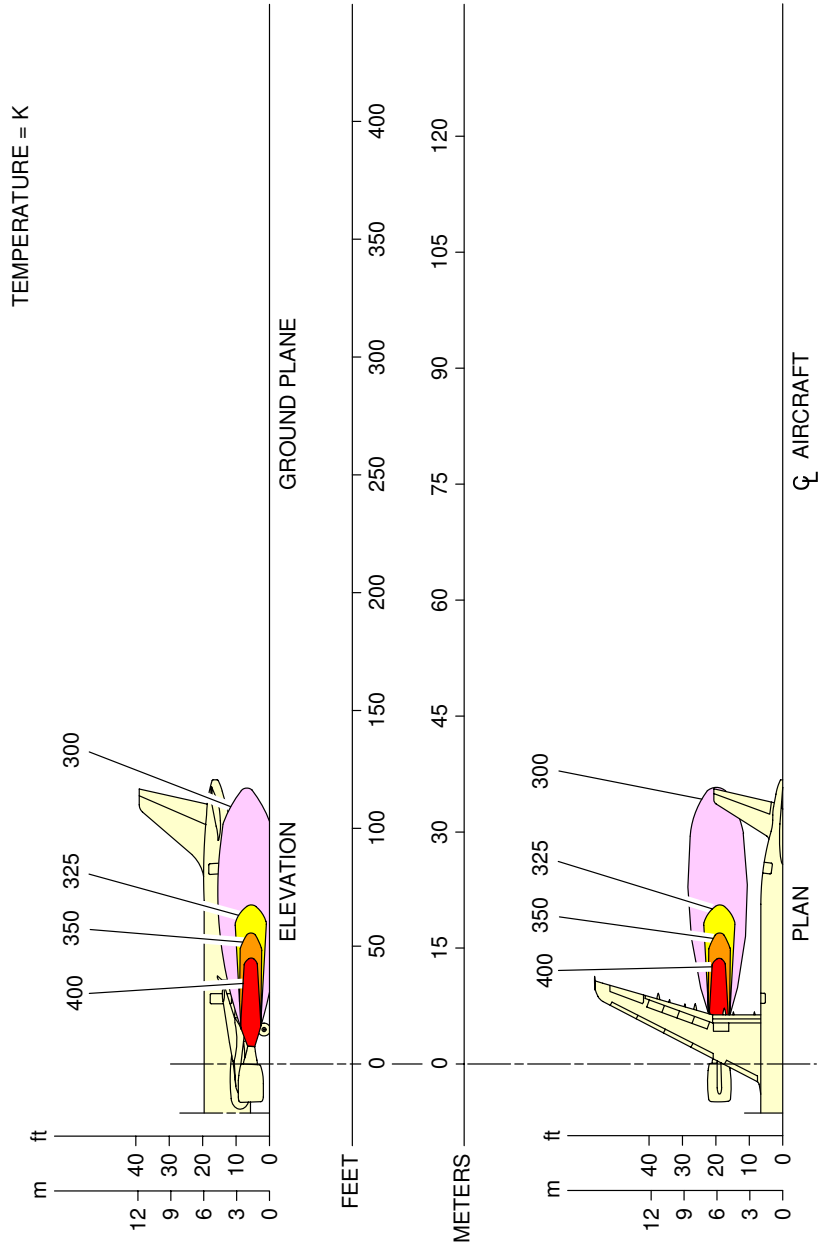
N_AC_060101_1_0140101_01_00

Engine Exhaust Velocities
 Ground Idle Power – PW 1100G Engine
 FIGURE-6-1-1-991-014-A01

6-1-2 Engine Exhaust Temperatures Contours - Ground Idle Power****ON A/C A321-100 A321-200 A321neo**Engine Exhaust Temperatures Contours - Ground Idle Power

1. This section provides engine exhaust temperatures contours at ground idle power.

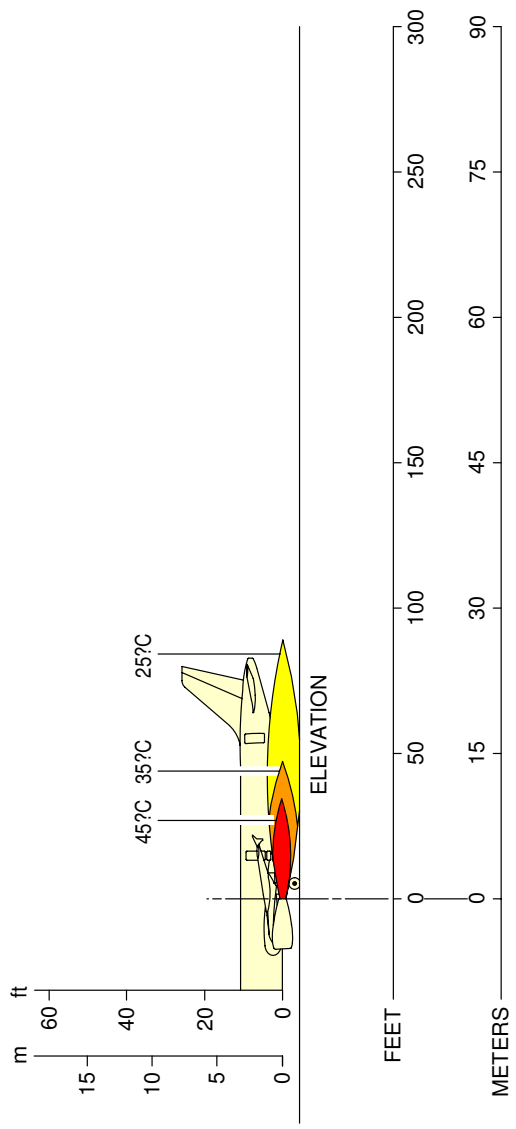
**ON A/C A321-100 A321-200



N_AC_060102_1_0070101_01_01

Engine Exhaust Temperatures
 Ground Idle Power – CFM56-5B Series Engine
 FIGURE-6-1-2-991-007-A01

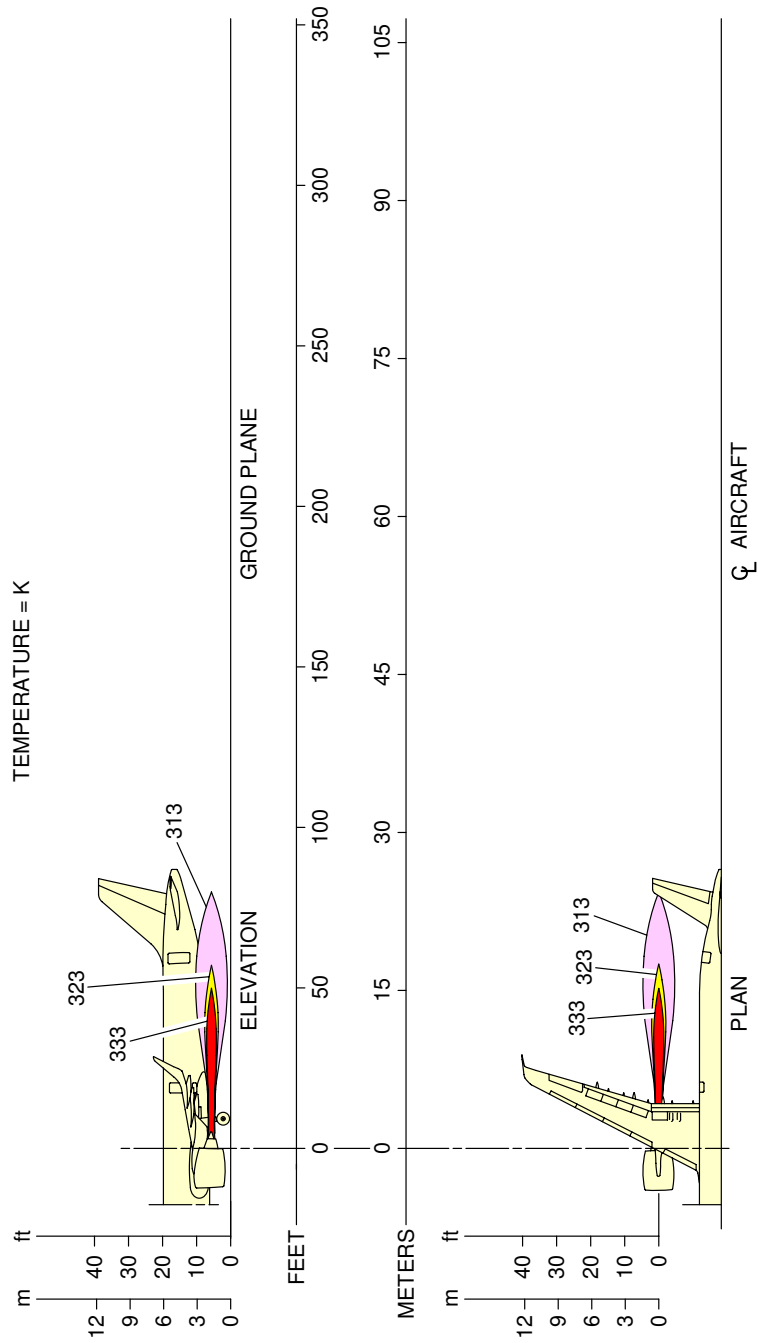
**ON A/C A321-100 A321-200



N_AC_060102_1_0080101_01_00

Engine Exhaust Temperatures
Ground Idle Power – IAE V2500 Series Engine
FIGURE-6-1-2-991-008-A01

**ON A/C A321neo

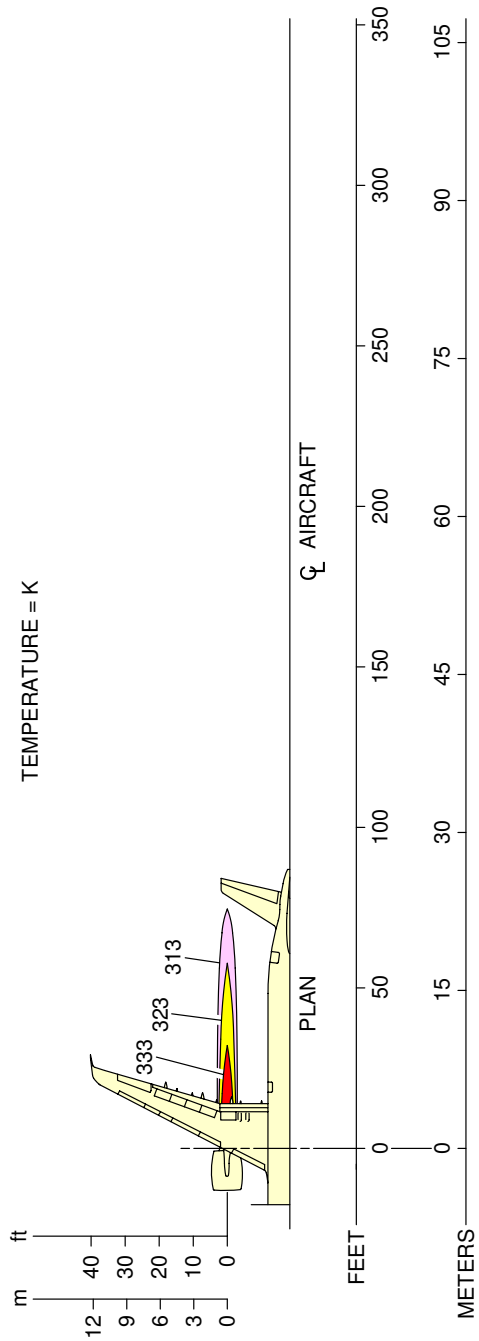


NOTE:
GROUND IDLE, SEA LEVEL, ISA+15K DAY, FN = 1 591 lbf.

N_AC_060102_1_0130101_01_00

Engine Exhaust Temperatures
Ground Idle Power – CFM LEAP-1A Engine
FIGURE-6-1-2-991-013-A01

****ON A/C A321neo**



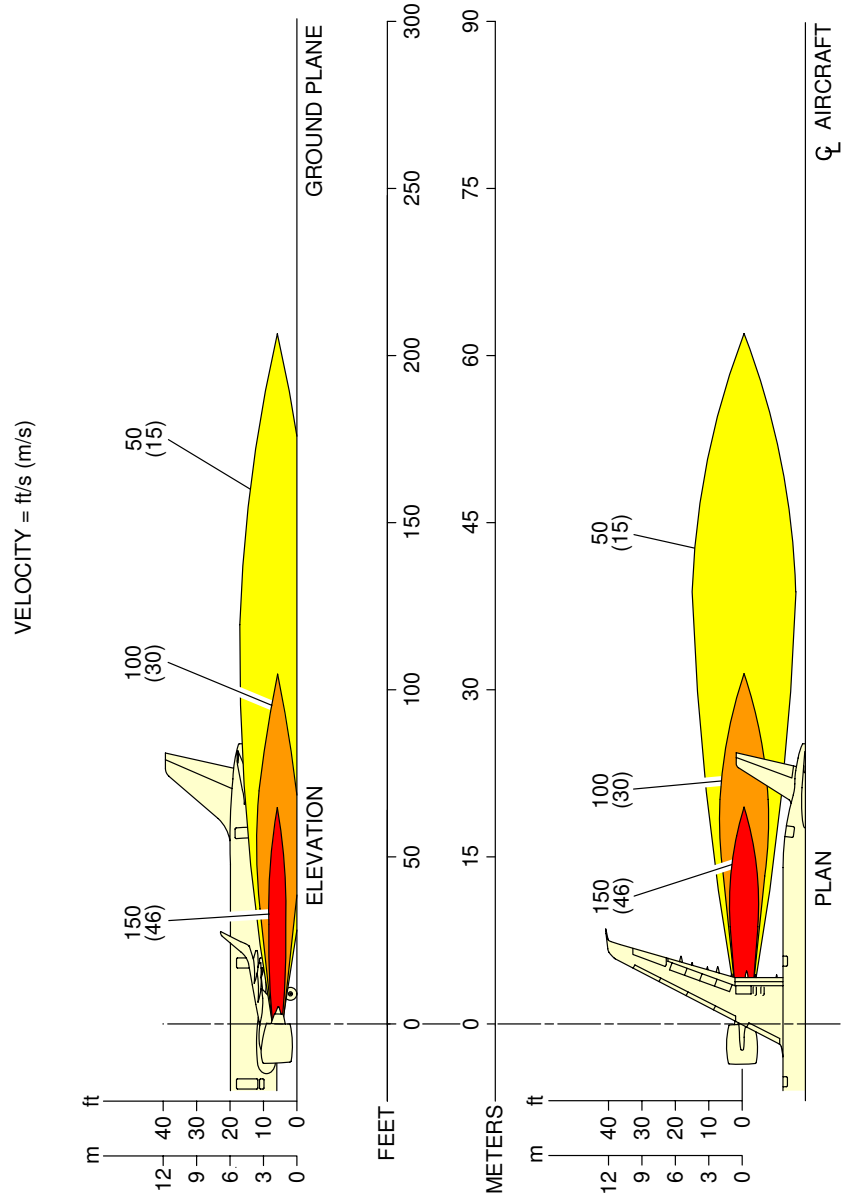
N_AC_060102_1_0140101_01_00

Engine Exhaust Temperatures
Ground Idle Power – PW 1100G Engine
FIGURE-6-1-2-991-014-A01

6-1-3 Engine Exhaust Velocities Contours - Breakaway Power****ON A/C A321-100 A321-200 A321neo**Engine Exhaust Velocities Contours - Breakaway Power

1. This section provides engine exhaust velocities contours at breakaway power.

****ON A/C A321neo**

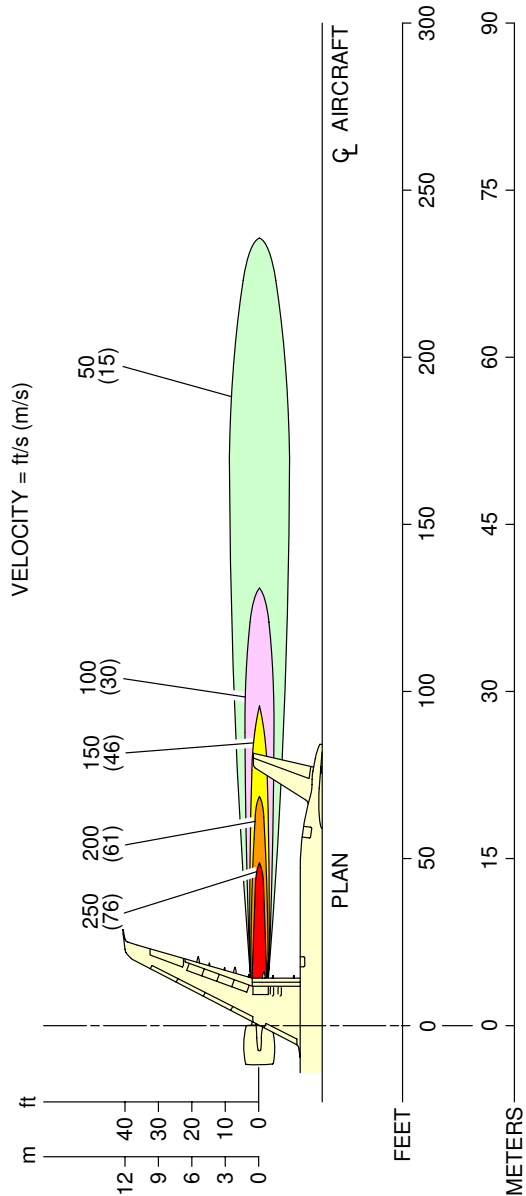


NOTE: TWO-ENGINE BREAKAWAY, SEA LEVEL, ISA+15K DAY, FN = 3 873 lbf.

N_AC_060103_1_0110101_01_00

Engine Exhaust Velocities
Breakaway Power 12% MTO – CFM LEAP-1A Engine
FIGURE-6-1-3-991-011-A01

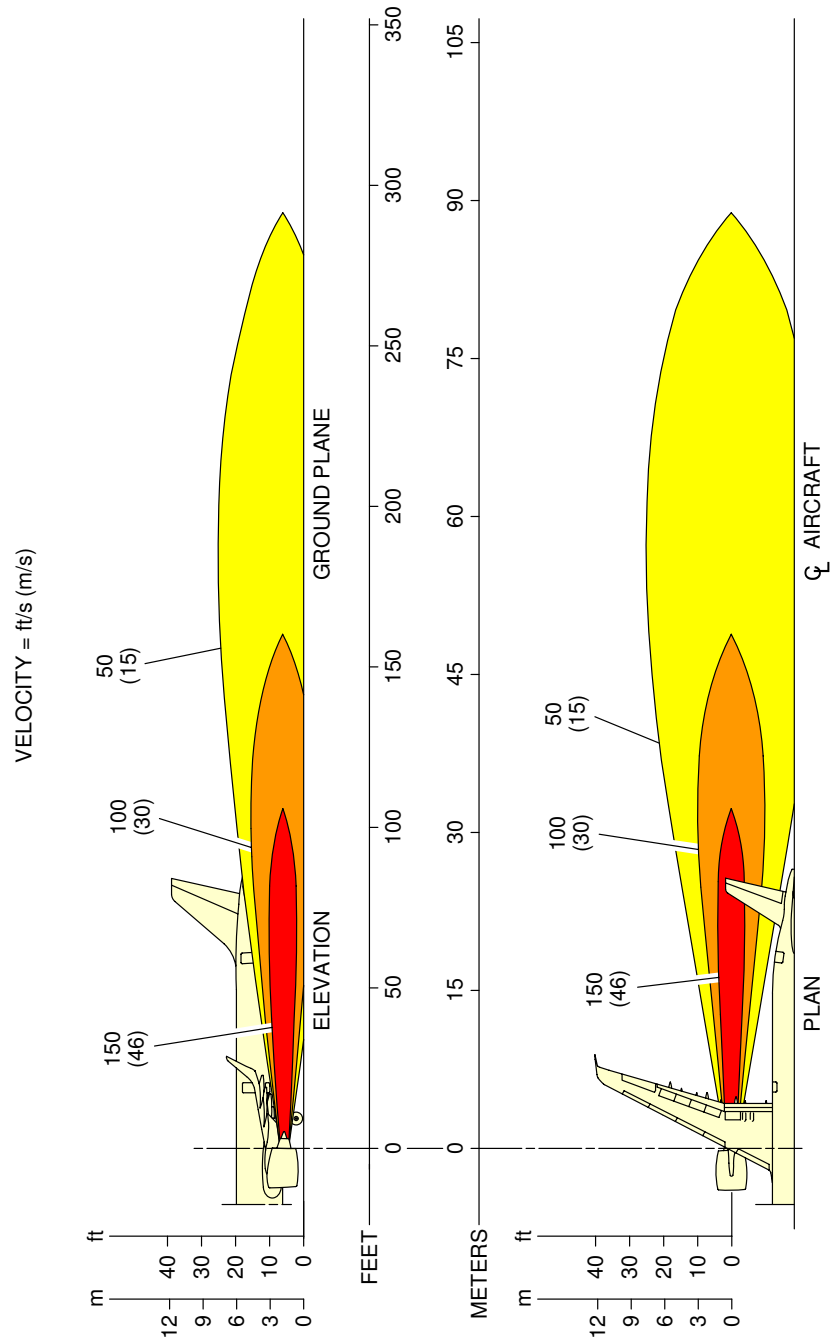
****ON A/C A321neo**



N_AC_060103_1_0120101_01_00

Engine Exhaust Velocities
 Breakaway Power 12% MTO – PW 1100G Engine
 FIGURE-6-1-3-991-012-A01

****ON A/C A321neo**

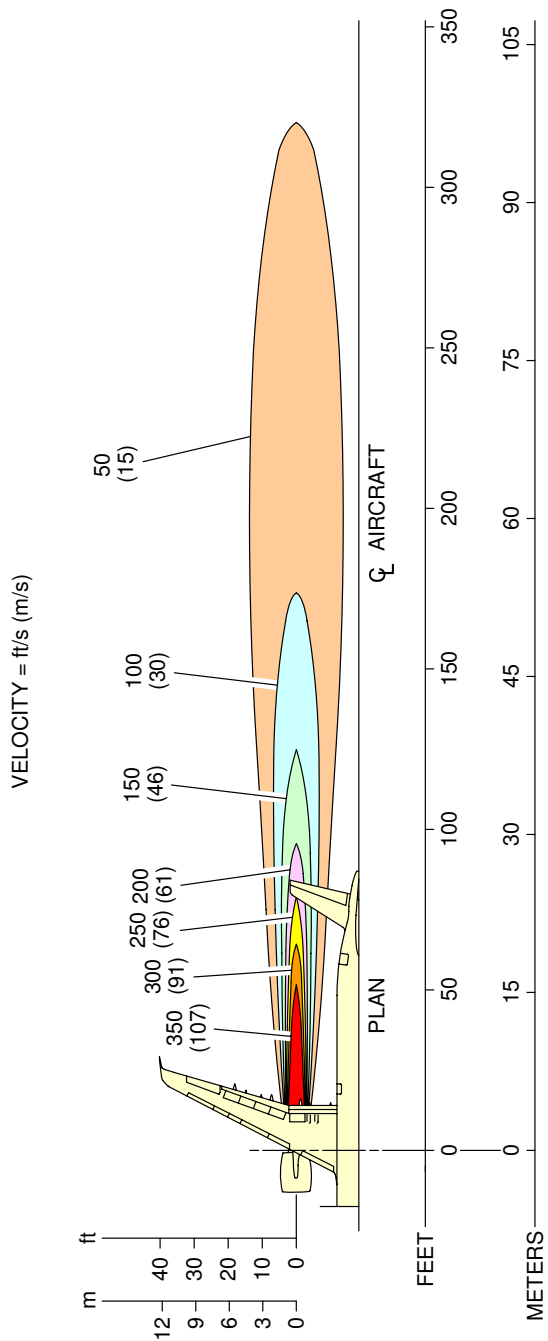


NOTE:
ONE-ENGINE BREAKAWAY, SEA LEVEL, ISA+15K DAY, FN = 7 747 lbf.

N_AC_060103_1_0190101_01_00

Engine Exhaust Velocities
Breakaway Power 24% MTO – CFM LEAP-1A Engine
FIGURE-6-1-3-991-019-A01

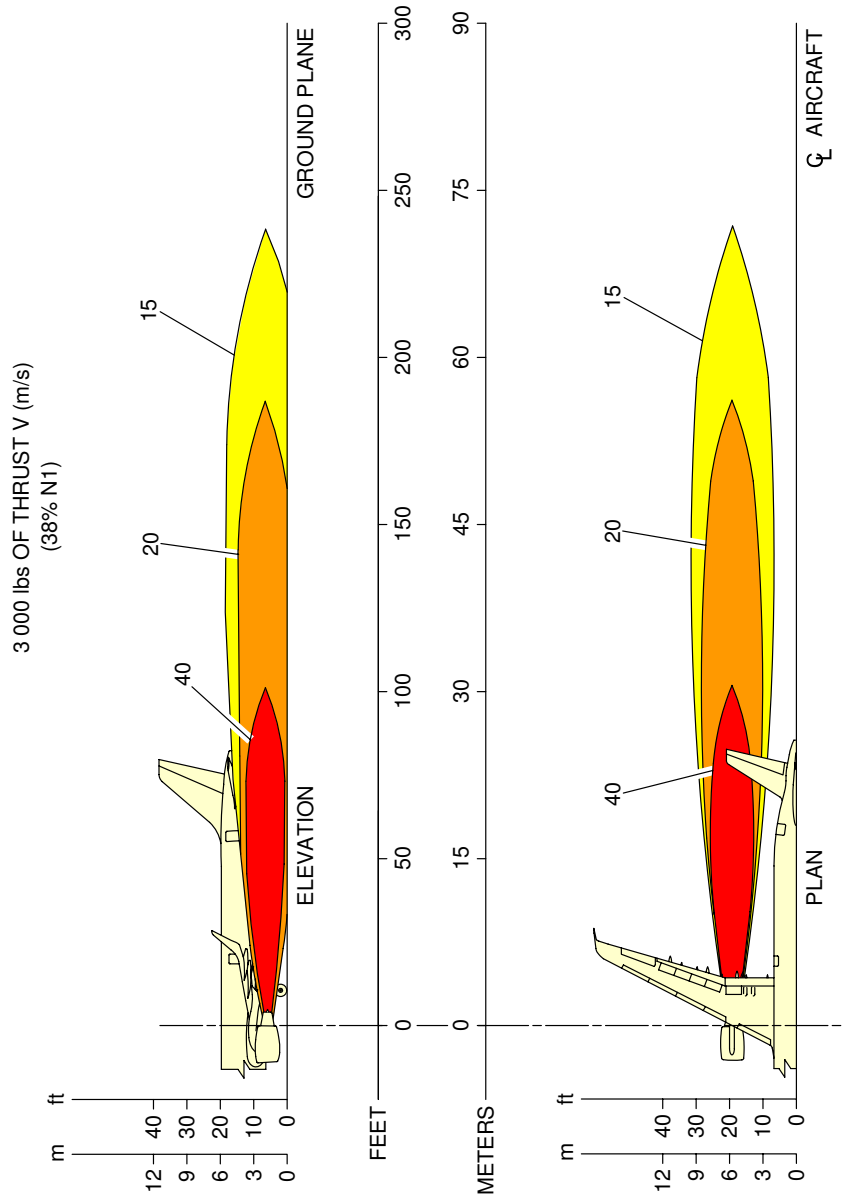
****ON A/C A321neo**



N_AC_060103_1_0200101_01_00

Engine Exhaust Velocities
 Breakaway Power 24% MTO – PW 1100G Engine
 FIGURE-6-1-3-991-020-A01

**ON A/C A321-100 A321-200

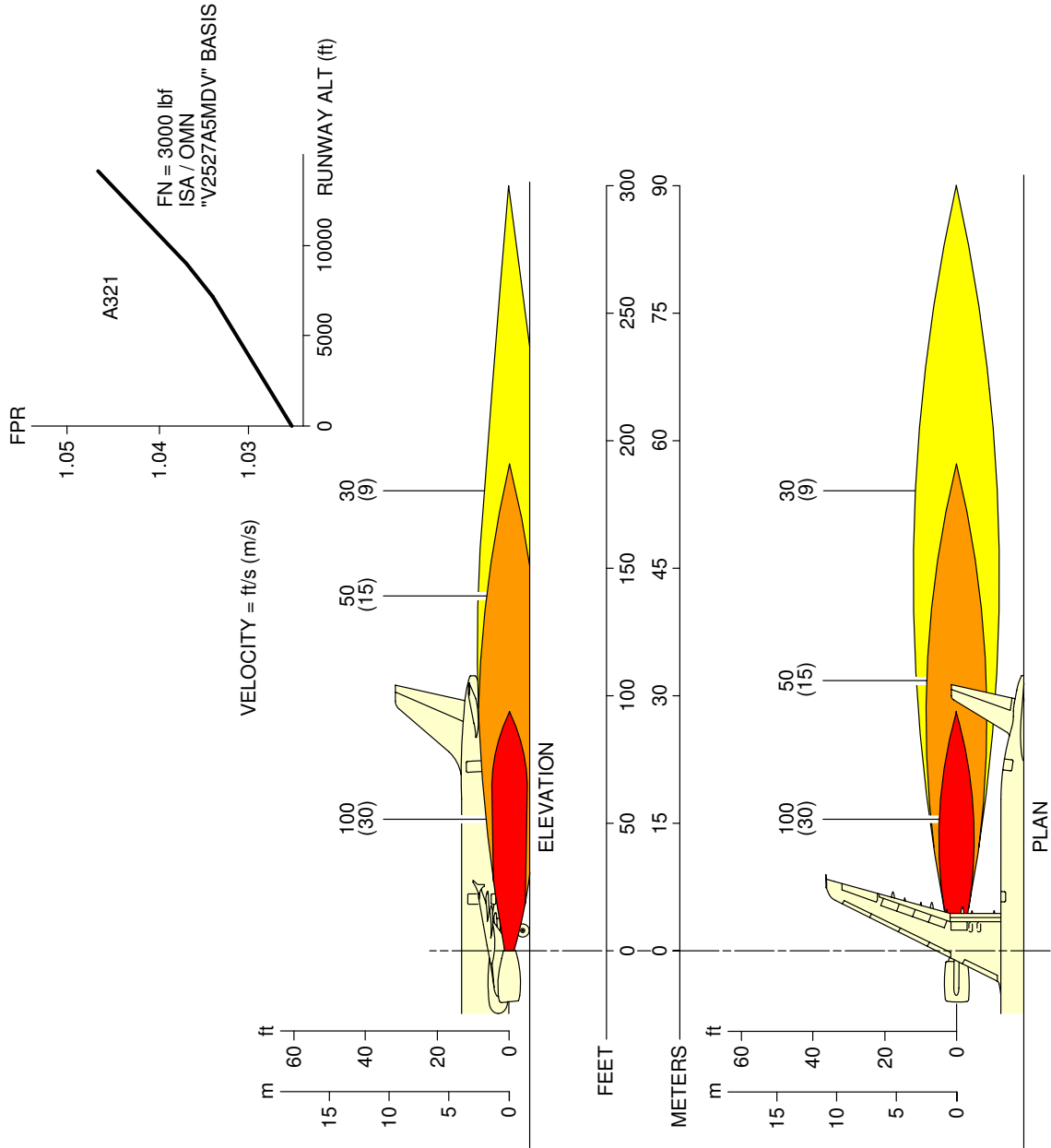


NOTE:
 - ADD + 1% N1 PER + 15°C (27°F) ABOVE ISA TEMPERATURE CONDITIONS
 - ADD + 1% N1 PER 2 000 ft

N_AC_060103_1_0230101_01_00

Engine Exhaust Velocities
 Breakaway Power - CFM56 Series Engine
 FIGURE-6-1-3-991-023-A01

**ON A/C A321-100 A321-200



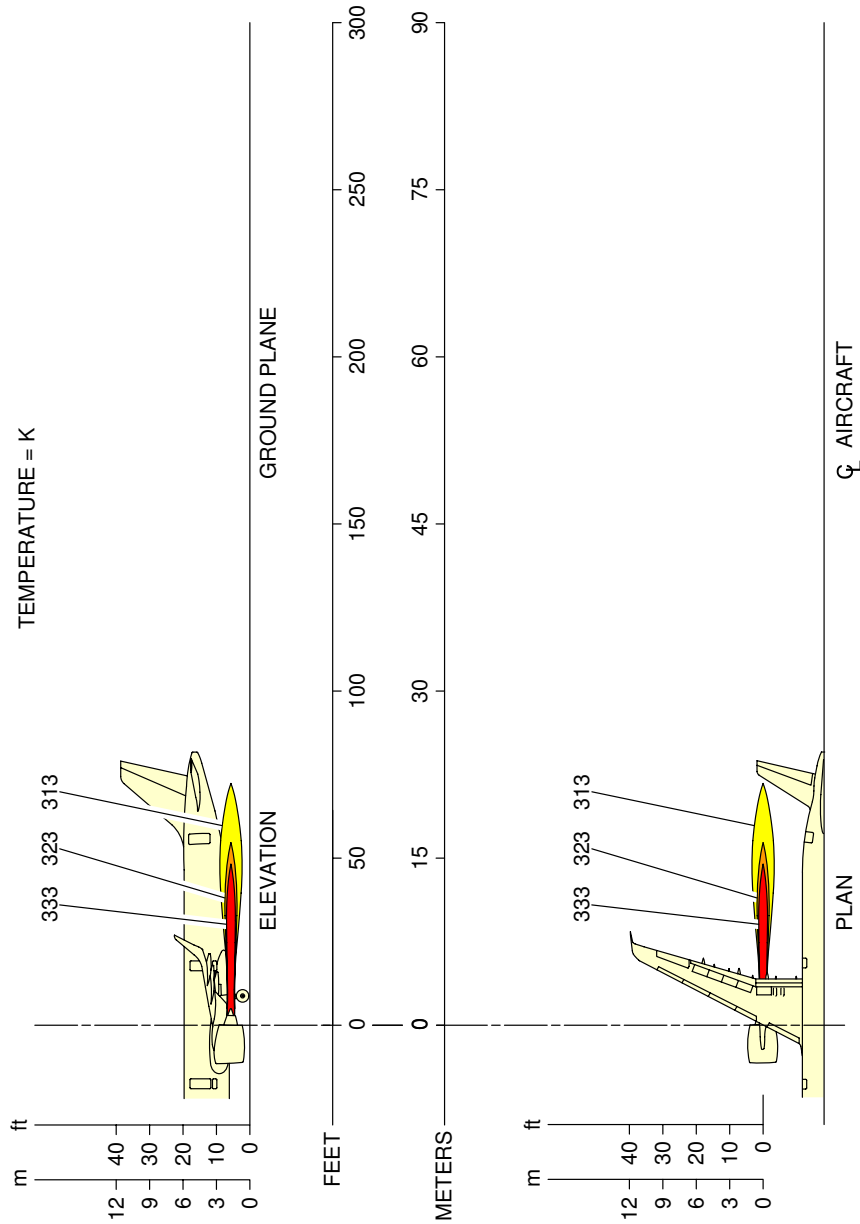
N_AC_060103_1_0240101_01_00

Engine Exhaust Velocities
Breakaway Power - IAE V2500 Series Engine
FIGURE-6-1-3-991-024-A01

6-1-4 Engine Exhaust Temperatures Contours - Breakaway Power****ON A/C A321-100 A321-200 A321neo**Engine Exhaust Temperatures Contours - Breakaway Power

1. This section provides engine exhaust temperatures contours at breakaway power.

****ON A/C A321neo**

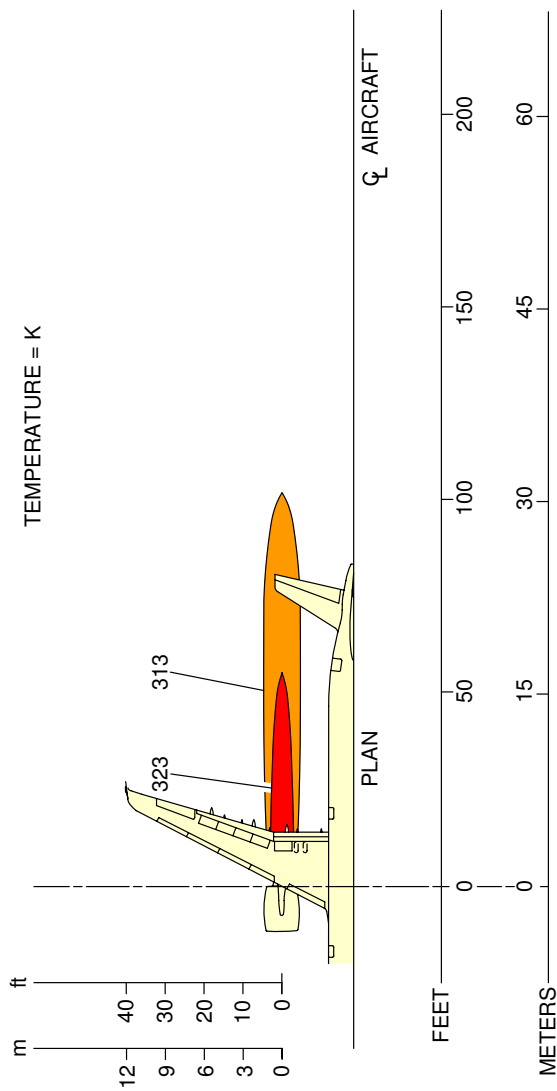


NOTE:
TWO-ENGINE BREAKAWAY, SEA LEVEL, ISA+15K DAY, FN = 3 873 lbf.

N_AC_060104_1_0170101_01_00

Engine Exhaust Temperatures
Breakaway Power 12% MTO - CFM LEAP-1A Engine
FIGURE-6-1-4-991-017-A01

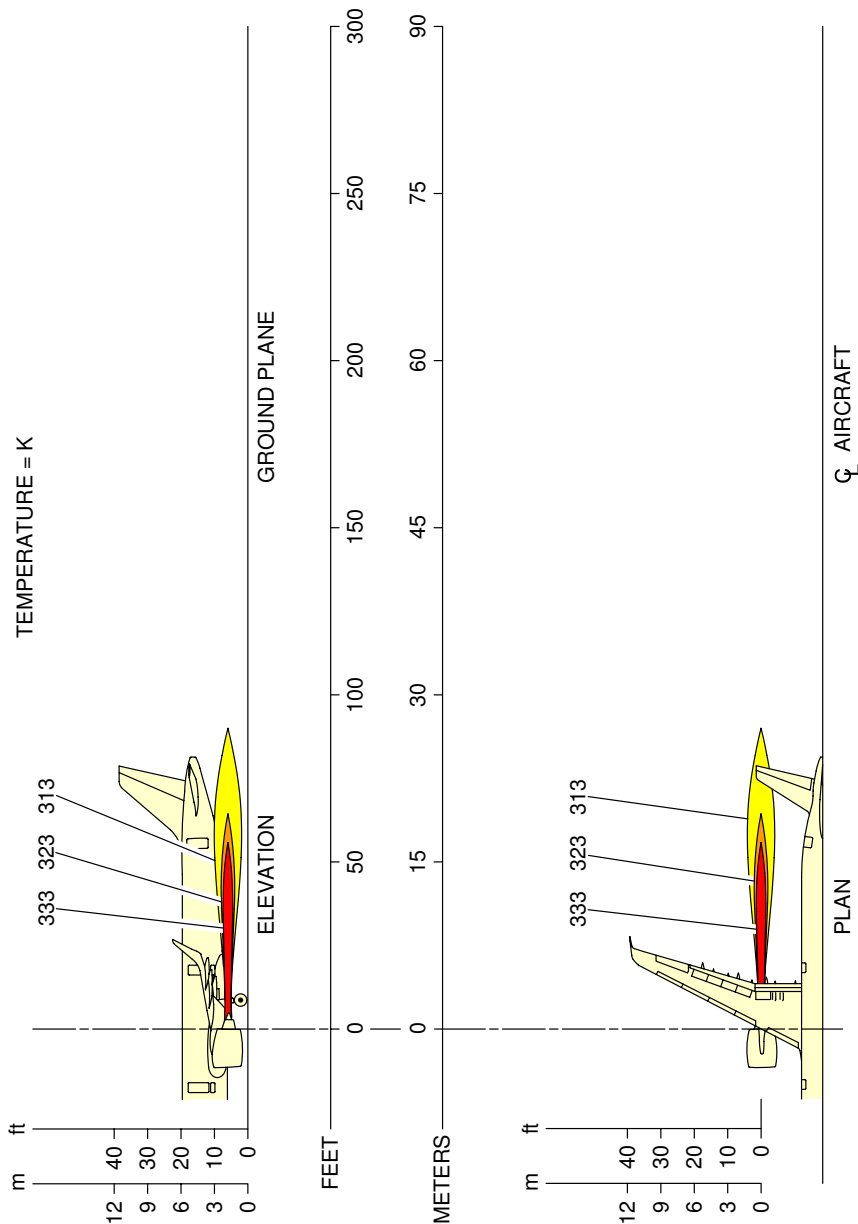
****ON A/C A321neo**



N_AC_060104_1_0180101_01_00

Engine Exhaust Temperatures
 Breakaway Power 12% MTO - PW 1100G Engine
 FIGURE-6-1-4-991-018-A01

****ON A/C A321neo**

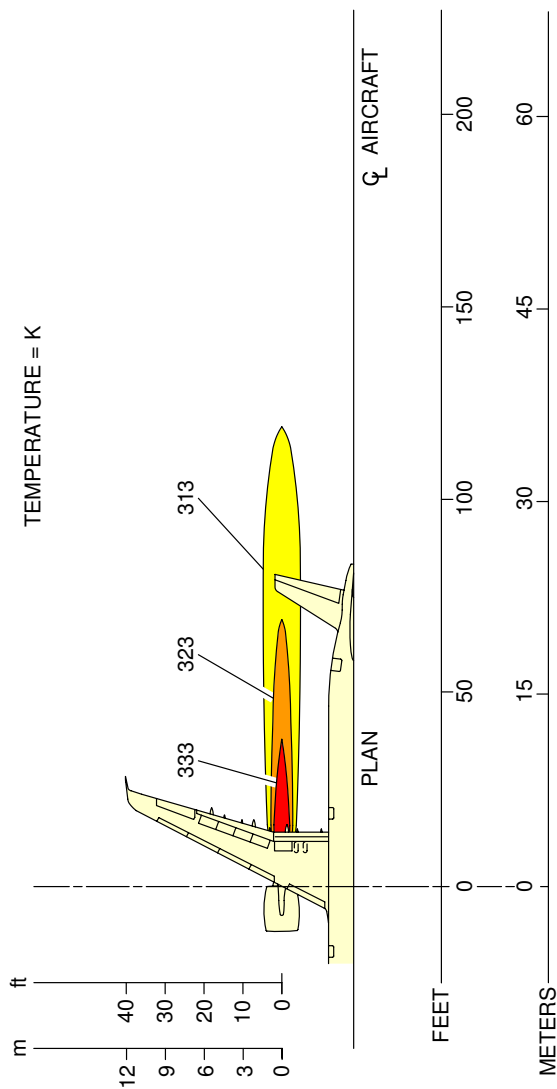


NOTE:
ONE-ENGINE BREAKAWAY, SEA LEVEL, ISA+15K DAY, FN = 7 747 lbf.

N_AC_060104_1_0190101_01_00

Engine Exhaust Temperatures
Breakaway Power 24% MTO - CFM LEAP-1A Engine
FIGURE-6-1-4-991-019-A01

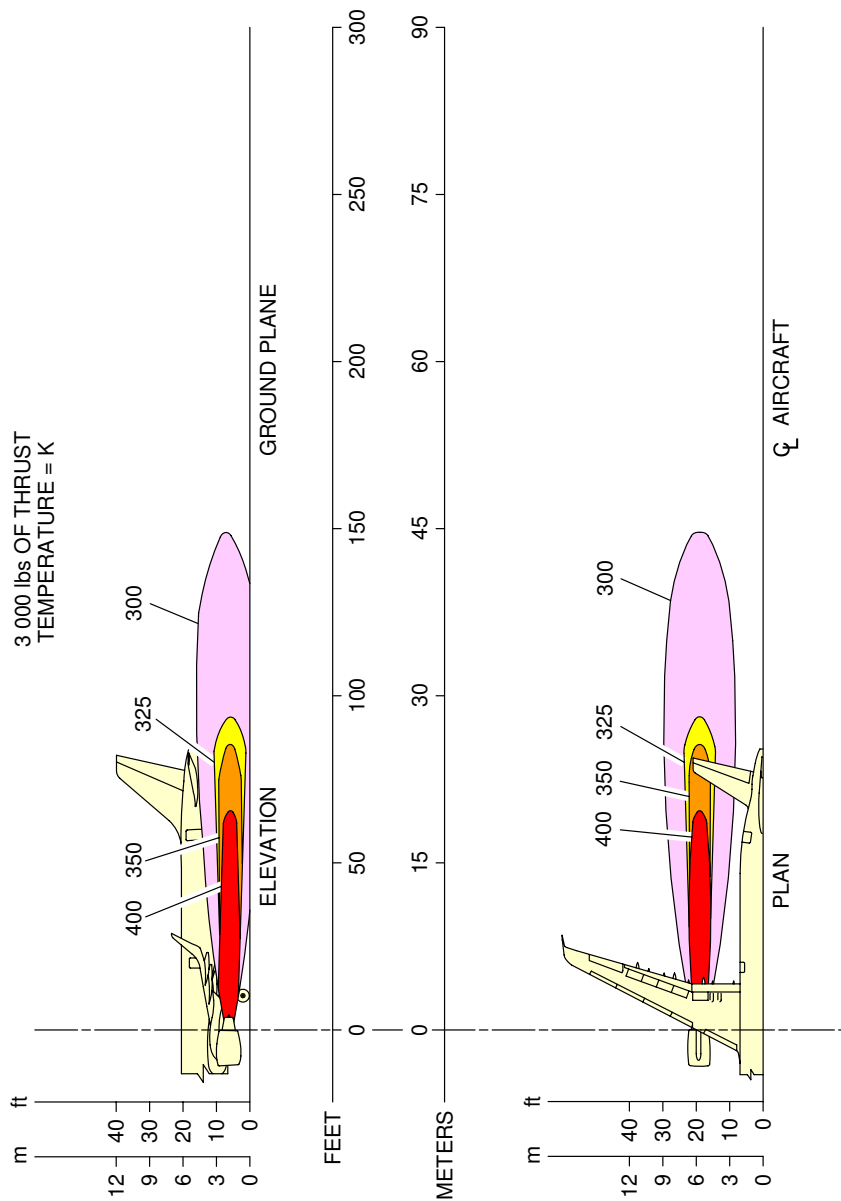
****ON A/C A321neo**



N_AC_060104_1_0200101_01_00

Engine Exhaust Temperatures
 Breakaway Power 24% MTO - PW 1100G Engine
 FIGURE-6-1-4-991-020-A01

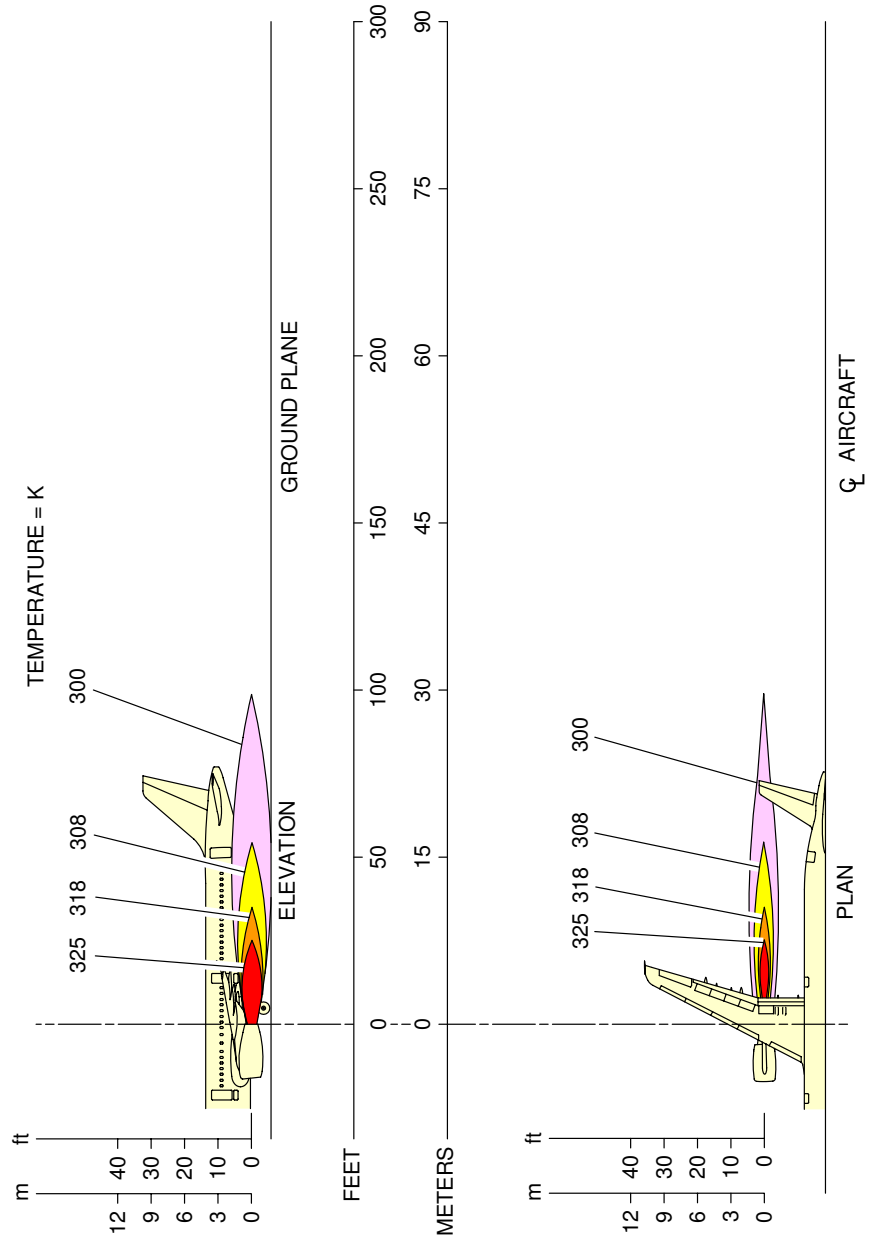
**ON A/C A321-100 A321-200



N_AC_060104_1_0230101_01_00

Engine Exhaust Temperatures
Breakaway Power - CFM56 Series Engine
FIGURE-6-1-4-991-023-A01

**ON A/C A321-100 A321-200



N_AC_060104_1_0240101_01_00

Engine Exhaust Temperatures
Breakaway Power - IAE V2500 Series Engine
FIGURE-6-1-4-991-024-A01



6-1-5 Engine Exhaust Velocities Contours - Takeoff Power

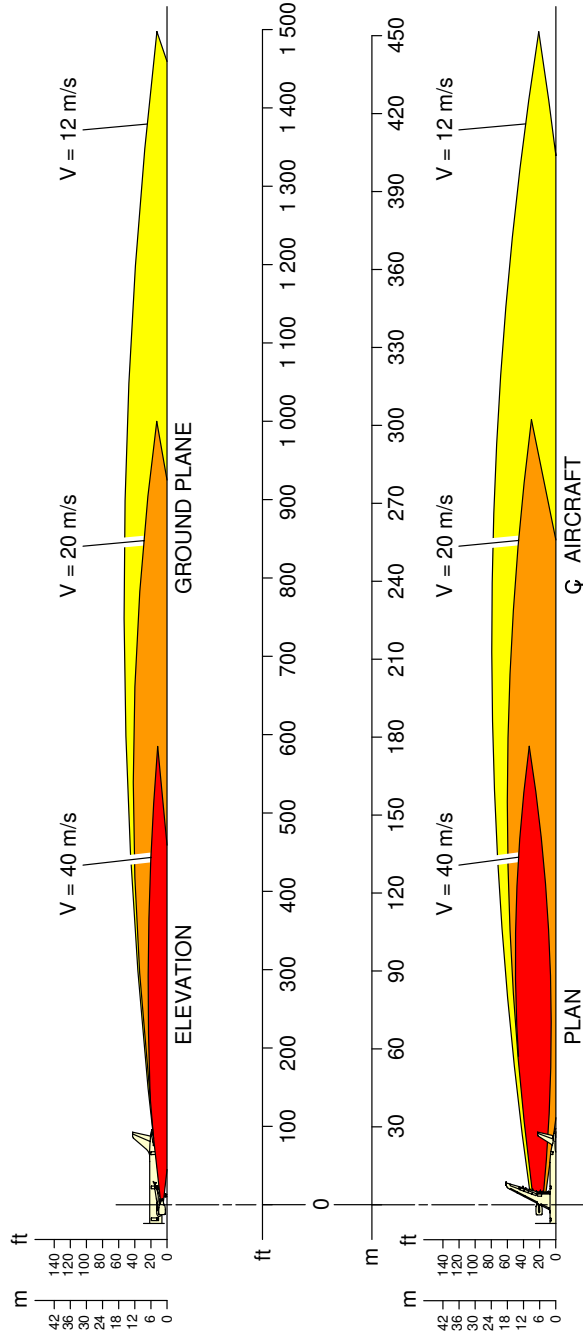
****ON A/C A321-100 A321-200 A321neo**

Engine Exhaust Velocities Contours - Takeoff Power

1. This section provides engine exhaust velocities contours at takeoff power.

**ON A/C A321-100 A321-200

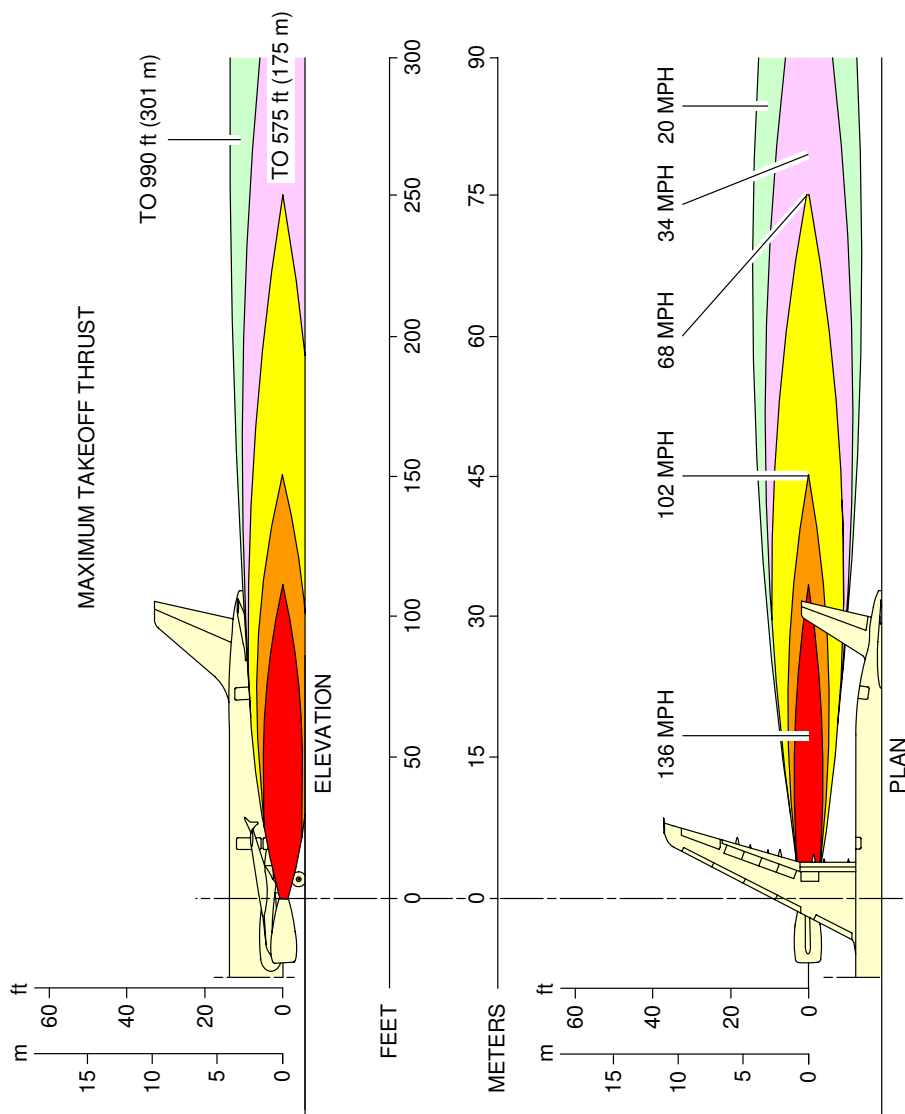
TAKEOFF POWER
INCLUDES (WORST CASE):
GROUND PLANE
HEADWIND (20 kts)



N_AC_060105_1_0070101_01_01

Engine Exhaust Velocities
Takeoff Power – CFM56-5B Series Engine
FIGURE-6-1-5-991-007-A01

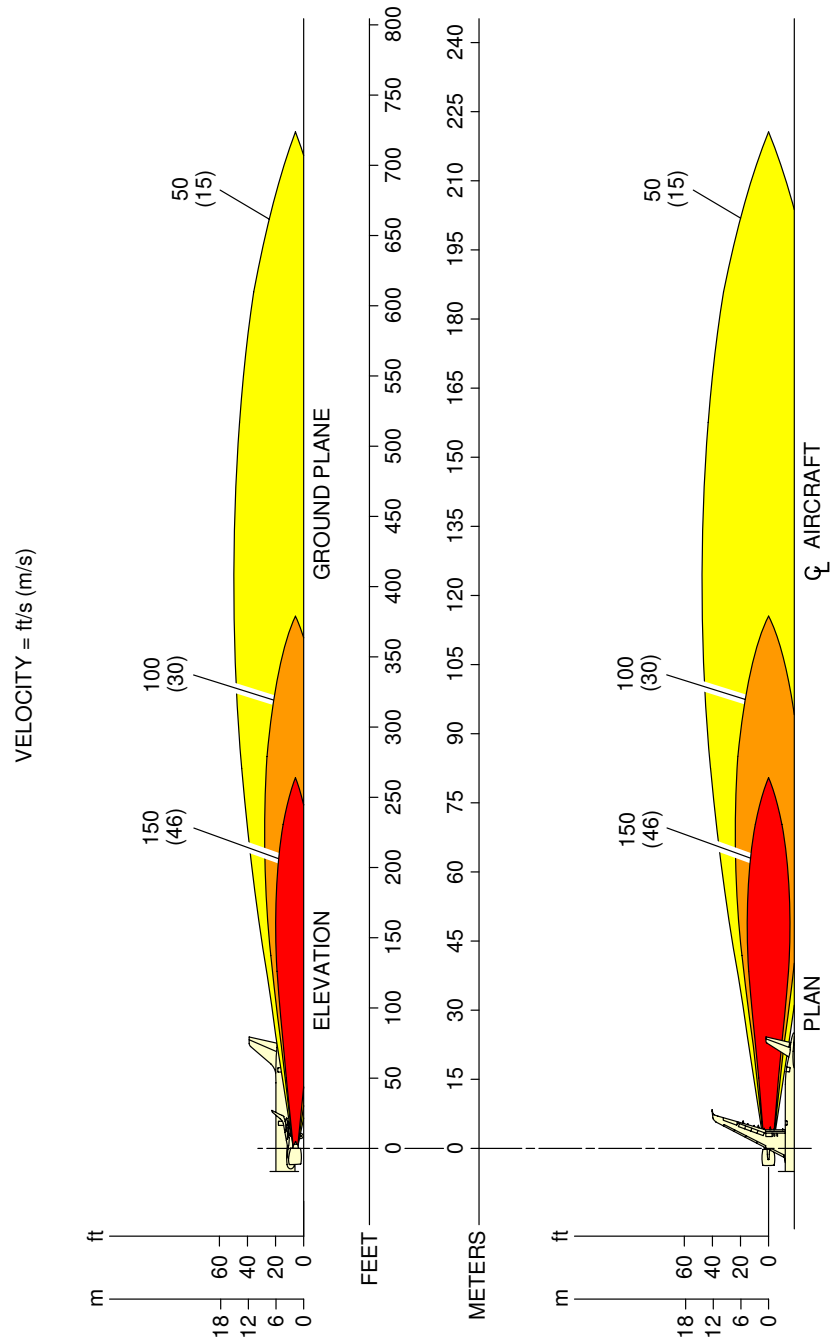
**ON A/C A321-100 A321-200



N_AC_060105_1_0080101_01_00

Engine Exhaust Velocities
 Takeoff Power – IAE V2500 Series Engine
 FIGURE-6-1-5-991-008-A01

**ON A/C A321neo

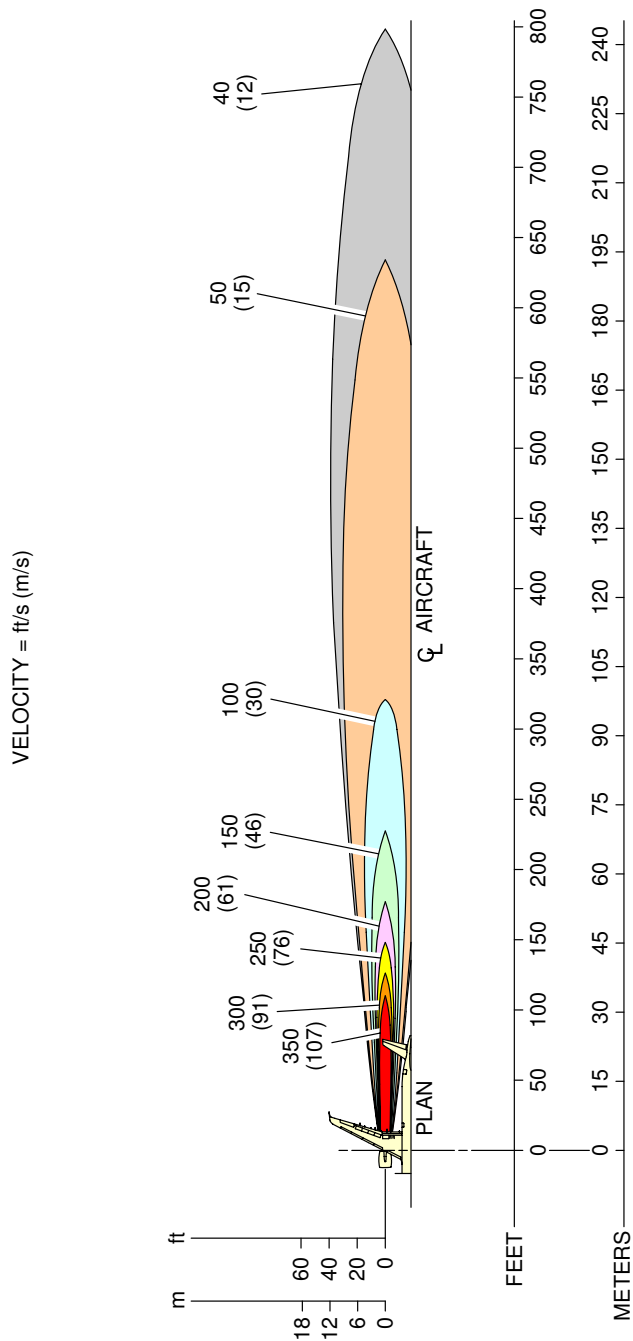


NOTE:
MAX TAKEOFF, SEA LEVEL, ISA+15K, FN = 32 517 lbf.

N_AC_060105_1_0130101_01_00

Engine Exhaust Velocities
Takeoff Power – CFM LEAP-1A Engine
FIGURE-6-1-5-991-013-A01

****ON A/C A321neo**



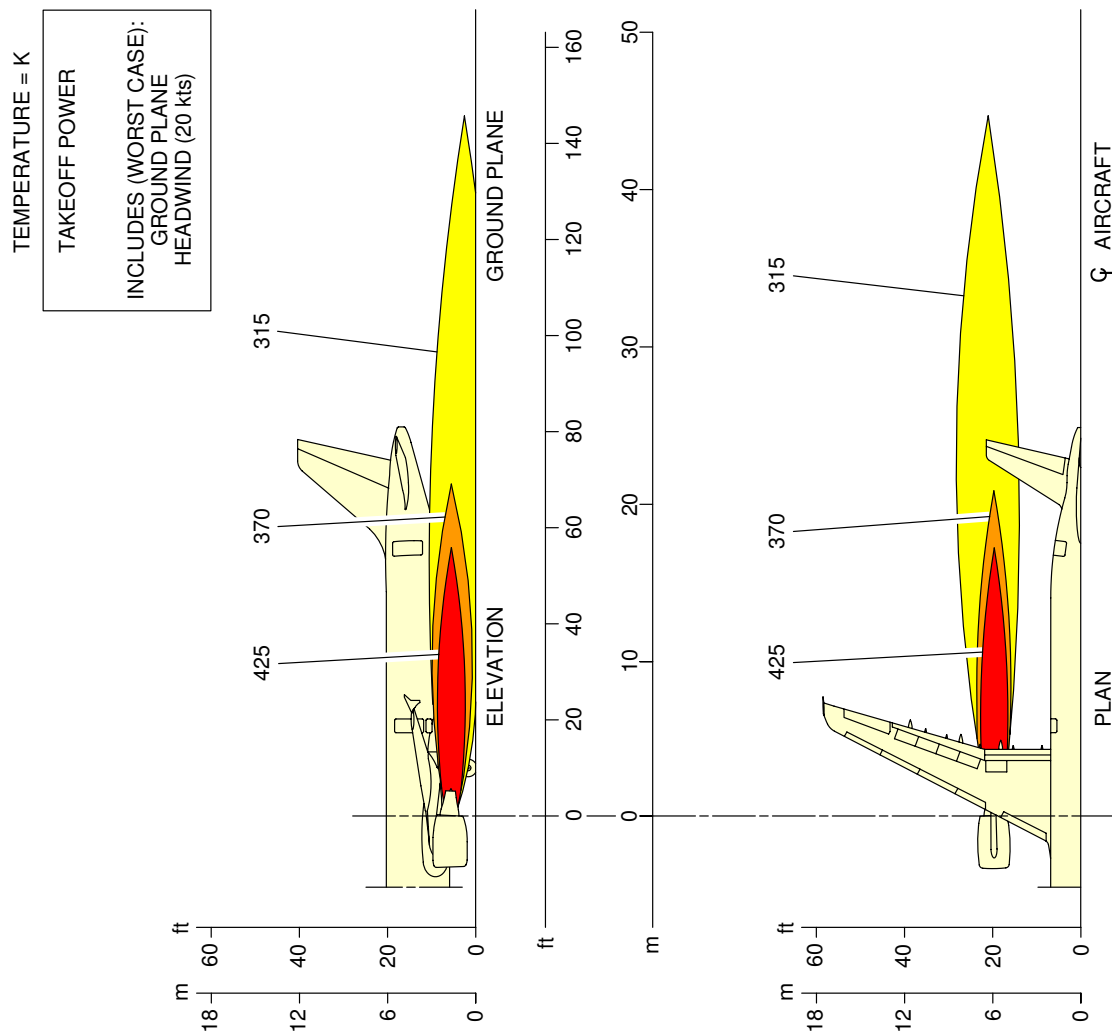
N_AC_060105_1_0140101_01_00

Engine Exhaust Velocities
 Takeoff Power – PW 1100G Engine
 FIGURE-6-1-5-991-014-A01

6-1-6 Engine Exhaust Temperatures Contours - Takeoff Power****ON A/C A321-100 A321-200 A321neo**Engine Exhaust Temperatures Contours - Takeoff Power

1. This section provides engine exhaust temperatures contours at takeoff power.

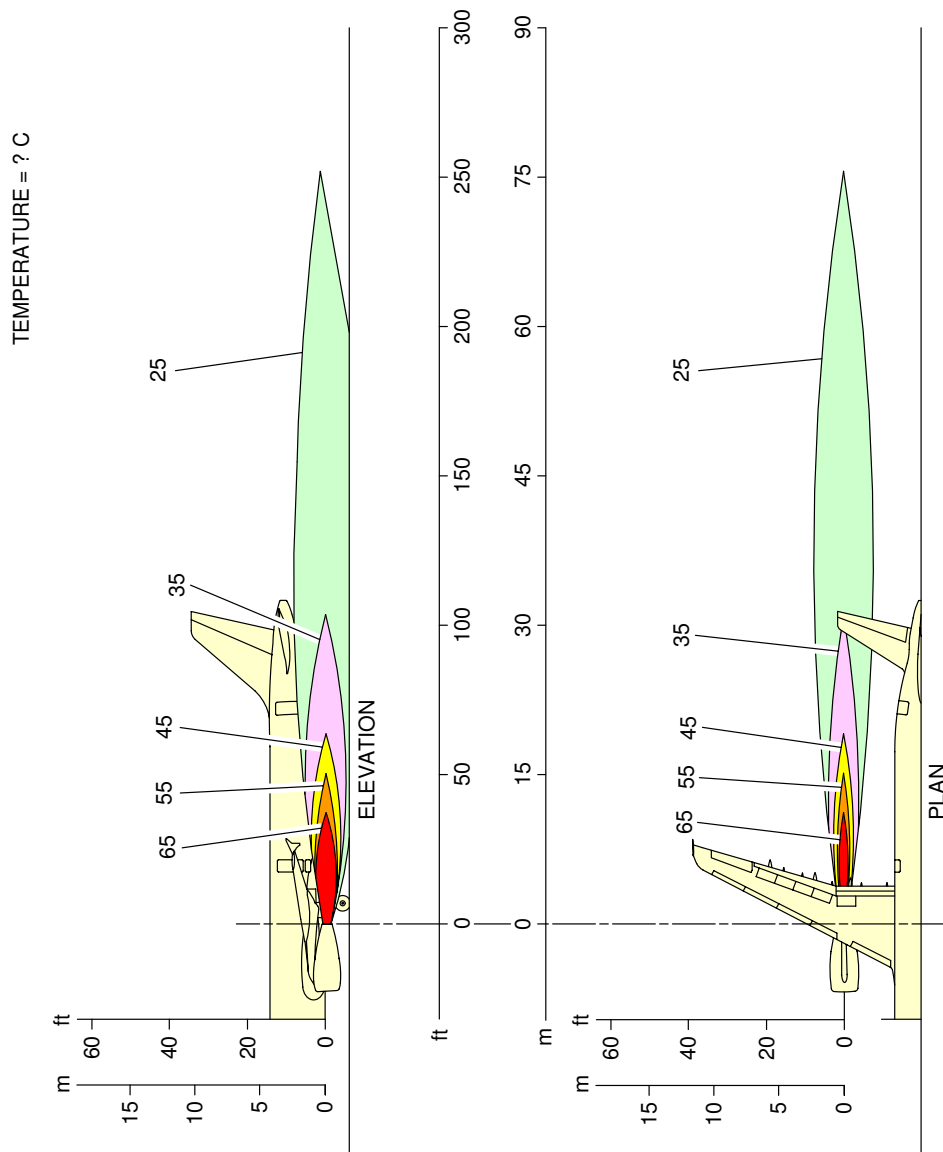
****ON A/C A321-100 A321-200**



N_AC_060106_1_0070101_01_01

Engine Exhaust Temperatures
 Takeoff Power – CFM56-5B Series Engine
 FIGURE-6-1-6-991-007-A01

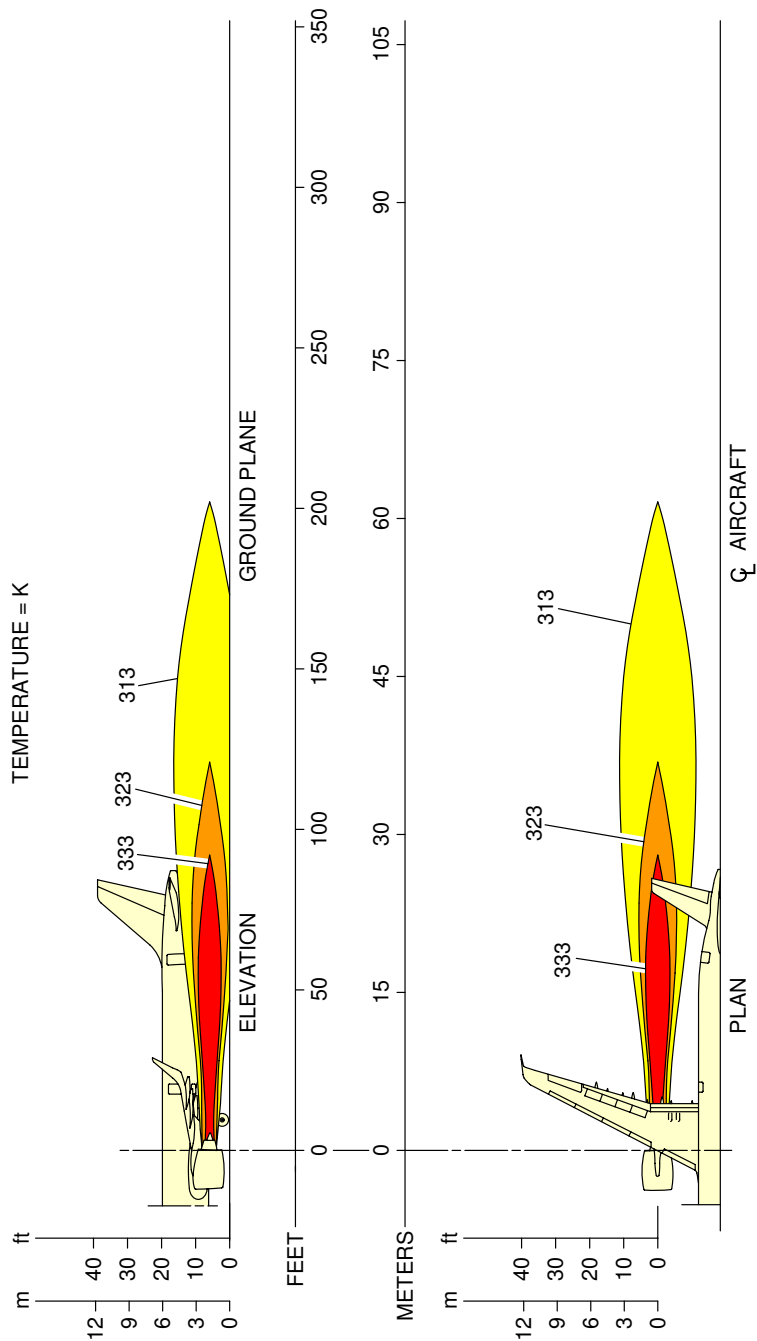
**ON A/C A321-100 A321-200



N_AC_060106_1_0080101_01_01

Engine Exhaust Temperatures
 Takeoff Power – IAE V2500 Series Engine
 FIGURE-6-1-6-991-008-A01

**ON A/C A321neo

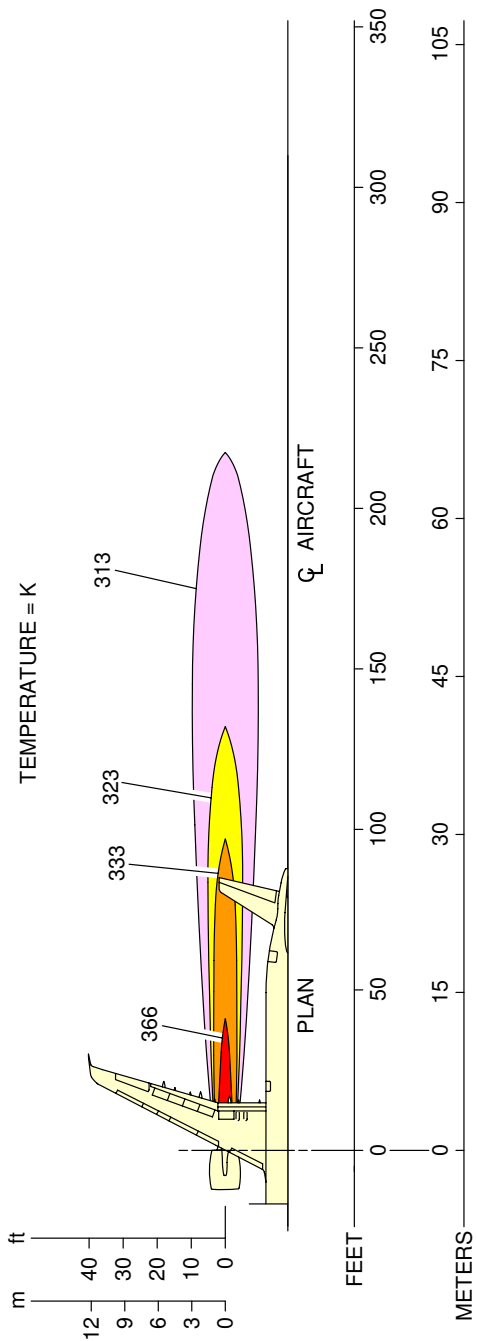


NOTE:
MAX TAKEOFF, SEA LEVEL, ISA+15K DAY, FN = 32 517 lbf.

N_AC_060106_1_0130101_01_00

Engine Exhaust Temperatures
Takeoff Power - CFM LEAP-1A Engine
FIGURE-6-1-6-991-013-A01

****ON A/C A321neo**



N_AC_060106_1_0140101_01_00

Engine Exhaust Temperatures
 Takeoff Power - PW 1100G Engine
 FIGURE-6-1-6-991-014-A01

6-3-0 Danger Areas of Engines****ON A/C A321-100 A321-200 A321neo**Danger Areas of Engines

1. Danger Areas of the Engines

- A. The danger areas of the engines shown below are given in the normalized format:
- Entry corridors are only available at ground idle.
 - Do not go into the areas between the engines.
 - The exhaust danger areas are given for 0 kt headwind (if not specified otherwise).



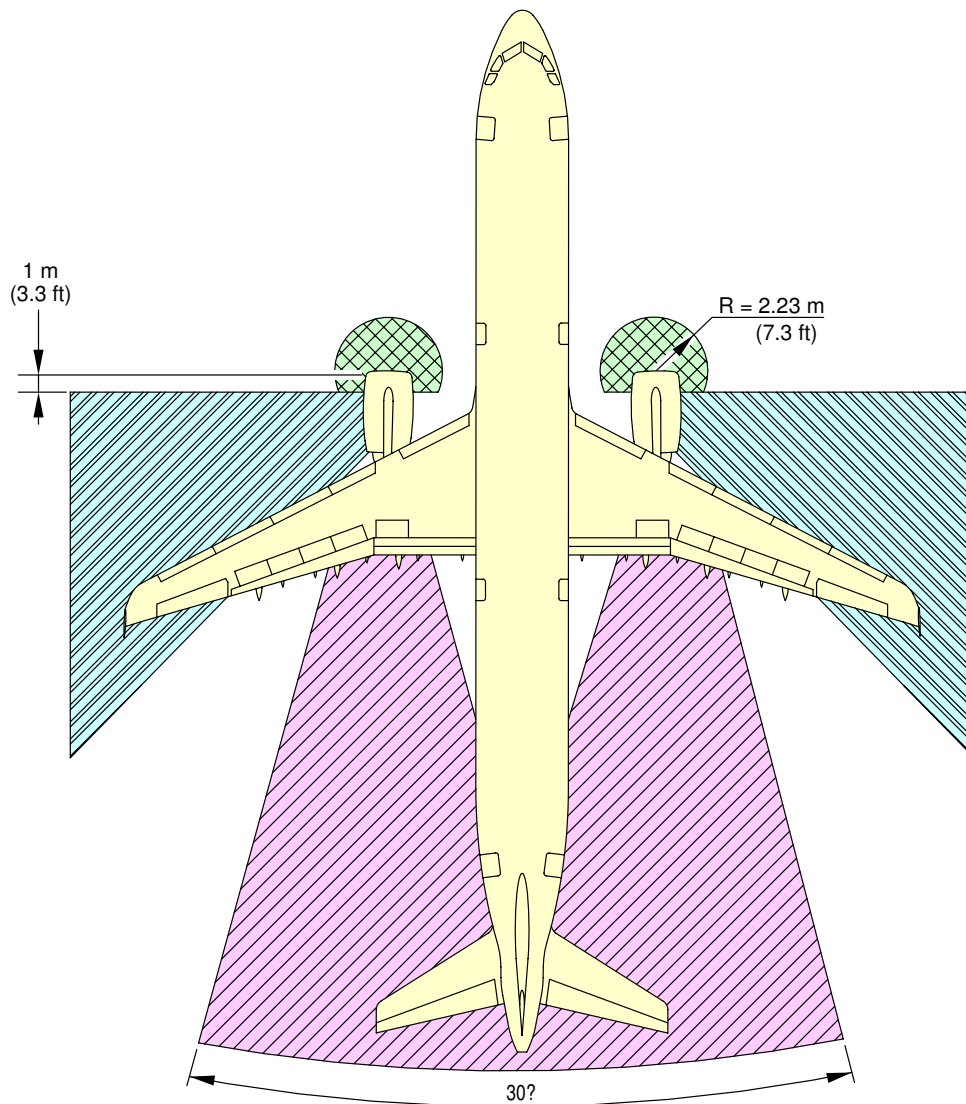
6-3-1 Ground Idle Power

****ON A/C A321-100 A321-200 A321neo**

Ground Idle Power


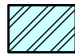

1. This section provides danger areas of the engines at ground idle power conditions.

**ON A/C A321-100 A321-200



TO 55 m (180 ft) AFT OF COMMON NOZZLE ASSEMBLY (CNA)
INCLUDES CROSS WIND EFFECT

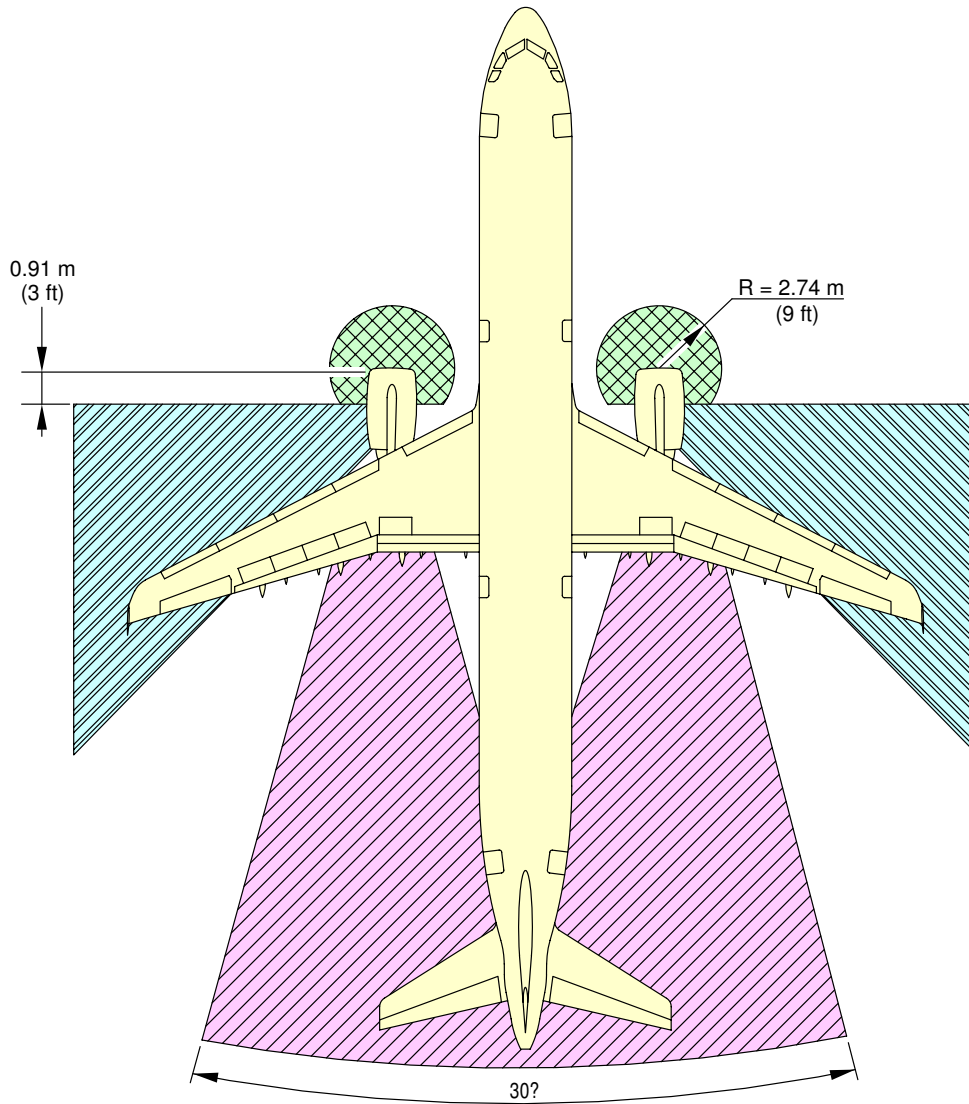
NOTE:

-  INLET SUCTION DANGER AREA
-  ENTRY CORRIDOR
-  EXHAUST WAKE DANGER AREA

N_AC_060301_1_0090101_01_04

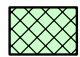
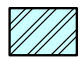
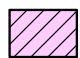
Danger Areas of the Engines
CFM56-5B Series Engine
FIGURE-6-3-1-991-009-A01

**ON A/C A321-100 A321-200



TO 55 m (180 ft) AFT OF COMMON NOZZLE ASSEMBLY (CNA)
INCLUDES CROSS WIND EFFECT

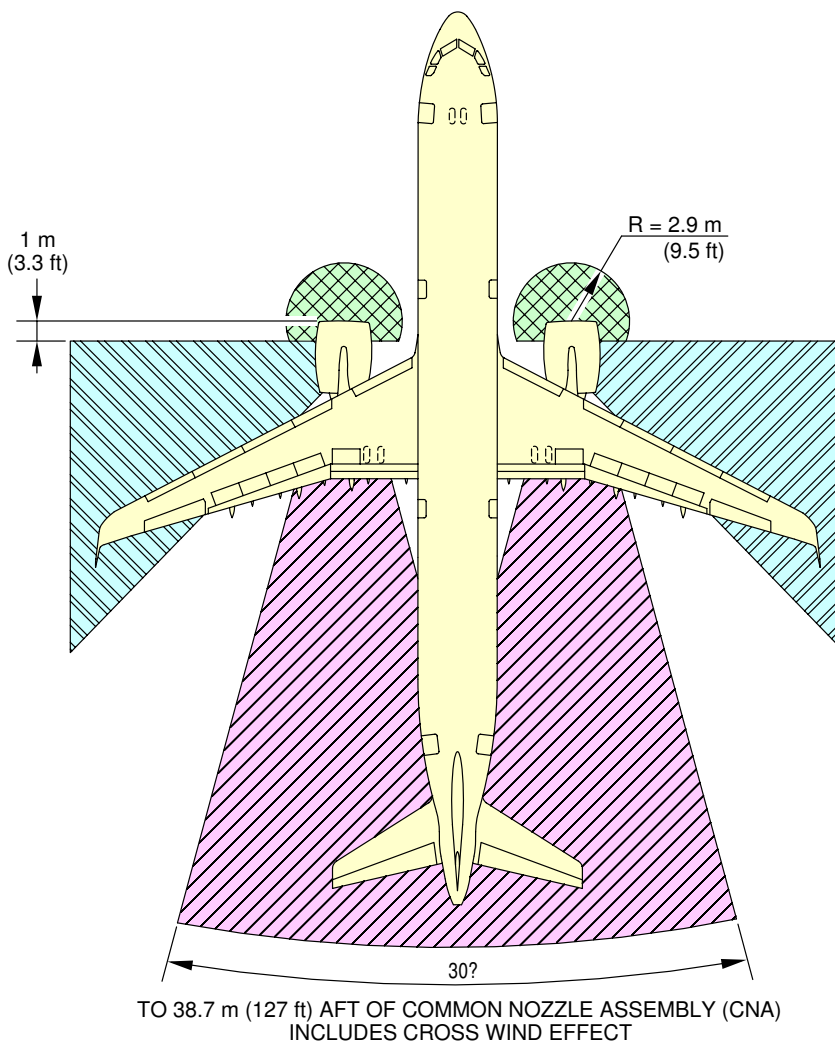
NOTE:

-  INTAKE SUCTION DANGER AREA MINIMUM IDLE POWER
-  ENTRY CORRIDOR
-  EXHAUST DANGER AREA


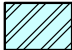

N_AC_060301_1_0100101_01_04

Danger Areas of the Engines
IAE V2500 Series Engine
FIGURE-6-3-1-991-010-A01

****ON A/C A321neo**



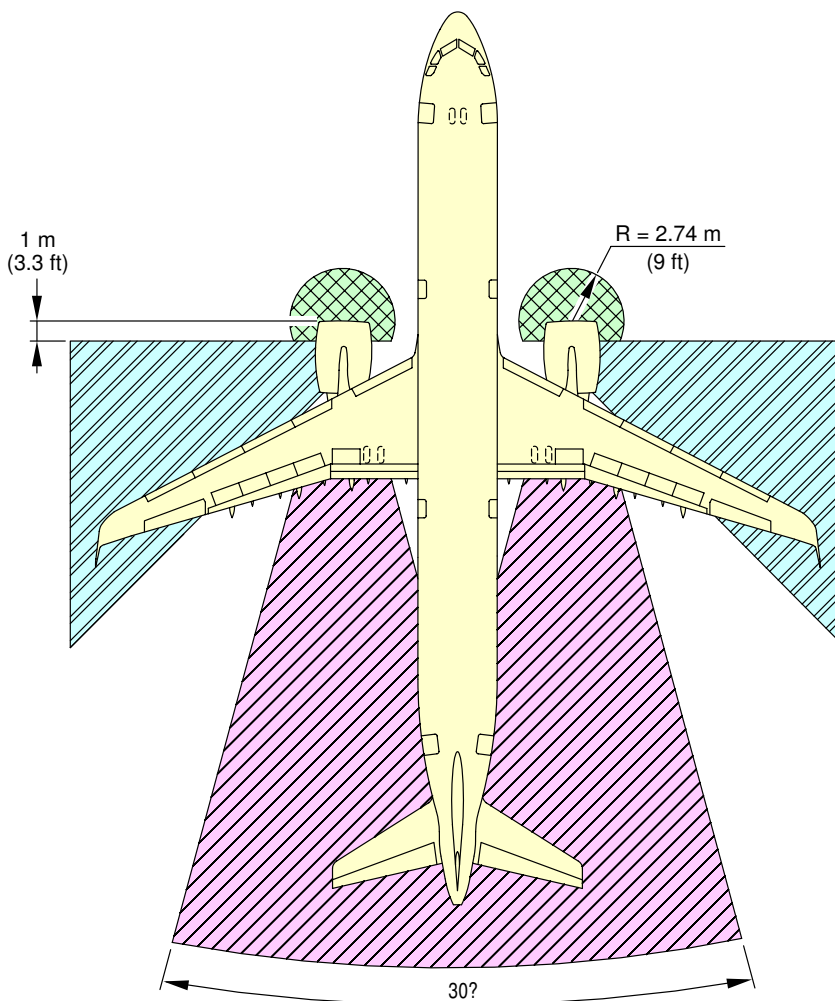
NOTE:

-  INTAKE SUCTION DANGER AREA MINIMUM IDLE POWER
-  ENTRY CORRIDOR
-  EXHAUST DANGER AREA

N_AC_060301_1_0150101_01_02

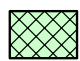
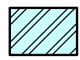

Danger Areas of the Engines
CFM LEAP-1A Engine
FIGURE-6-3-1-991-015-A01

**ON A/C A321neo



TO 40.3 m (132 ft) AFT OF COMMON NOZZLE ASSEMBLY (CNA)
INCLUDES CROSS WIND EFFECT

NOTE:

-  INTAKE SUCTION DANGER AREA MINIMUM IDLE POWER
-  ENTRY CORRIDOR
-  EXHAUST DANGER AREA

N_AC_060301_1_0160101_01_02

Danger Areas of the Engines
PW 1100G Engine
FIGURE-6-3-1-991-016-A01



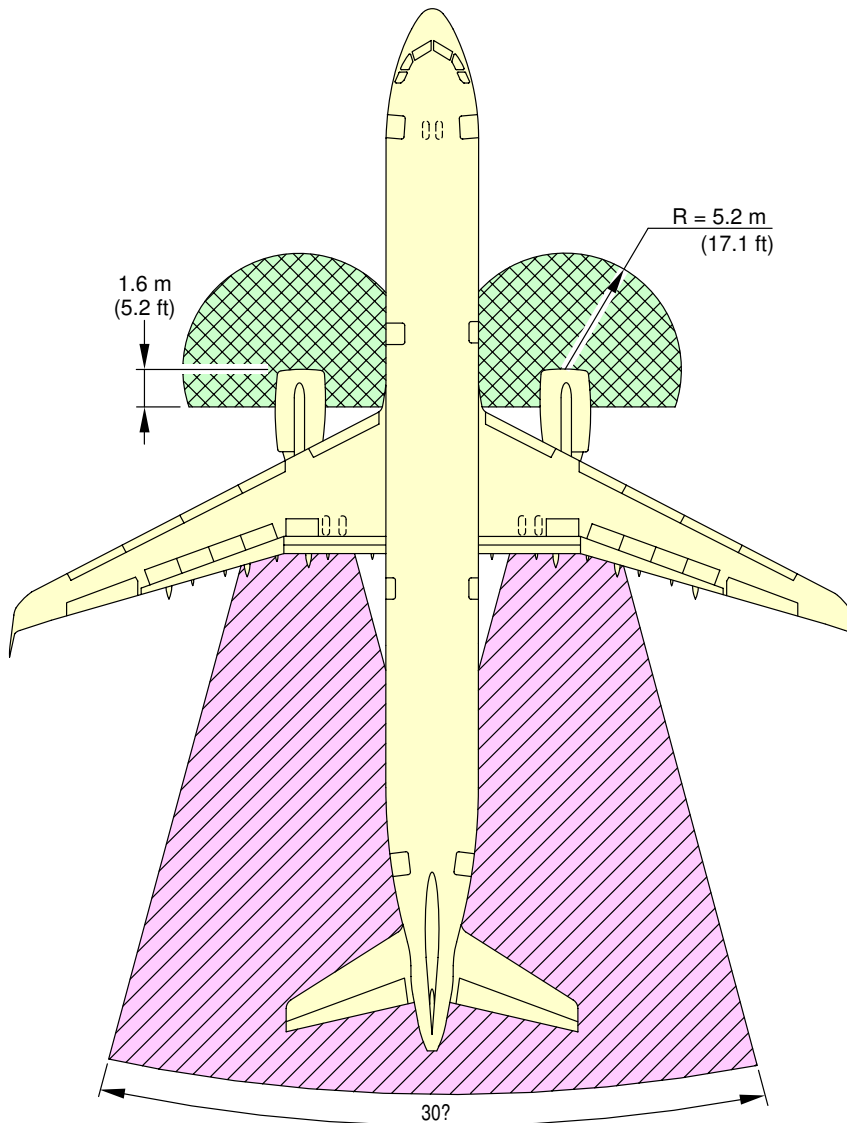
6-3-2 Breakaway Power

**ON A/C A321-100 A321-200 A321neo

Breakaway Power

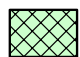

1. This section provides danger areas of the engines at breakaway power.

**ON A/C A321-100 A321-200



TO 74.7 m (245 ft) AFT OF COMMON NOZZLE ASSEMBLY (CNA) INCLUDES CROSS WIND EFFECT

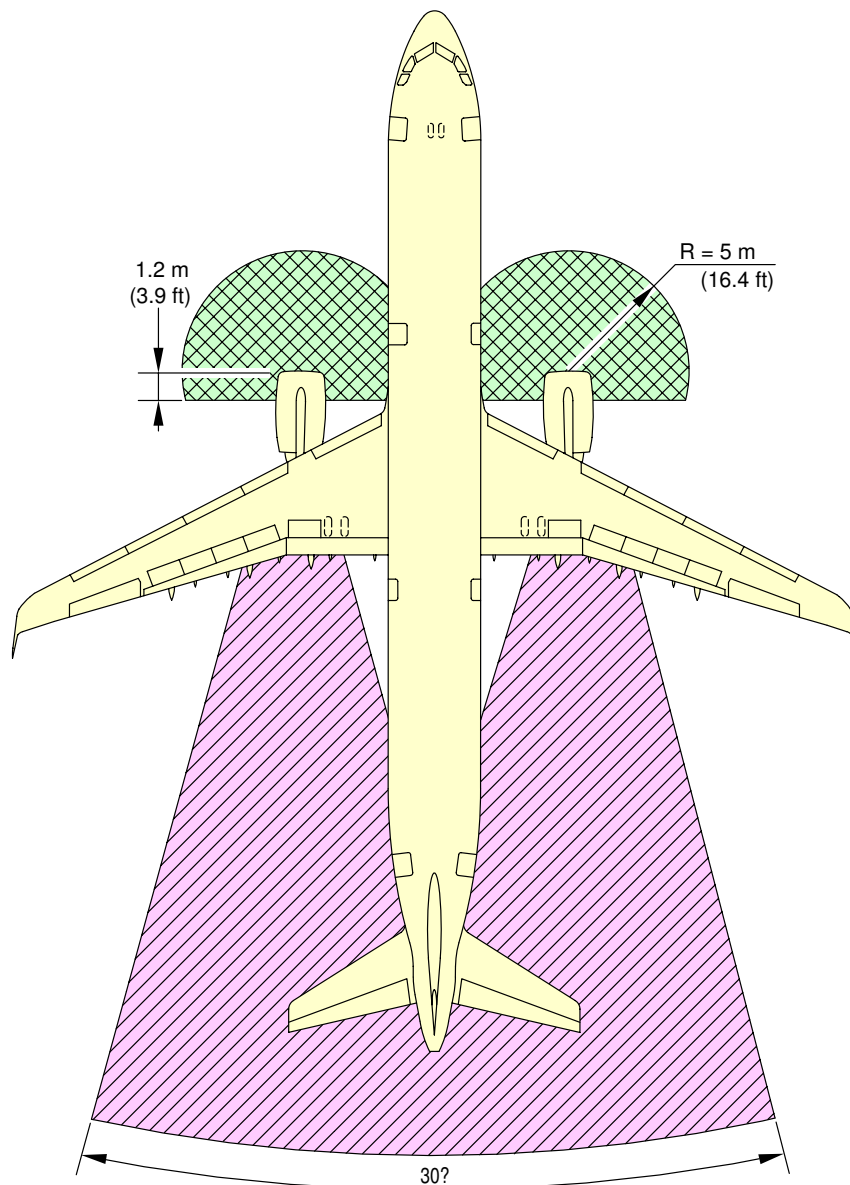
NOTE:

-  INTAKE SUCTION DANGER AREA MAX. TAKEOFF POWER
-  EXHAUST WAKE DANGER AREA

N_AC_060302_1_0070101_01_03

Danger Areas of the Engines
CFM56-5B Series Engine
FIGURE-6-3-2-991-007-A01

**ON A/C A321-100 A321-200



TO 91.4 m (300 ft) AFT OF COMMON NOZZLE ASSEMBLY (CNA)
INCLUDES CROSS WIND EFFECT

NOTE:



INTAKE SUCTION DANGER AREA MAX. TAKEOFF POWER

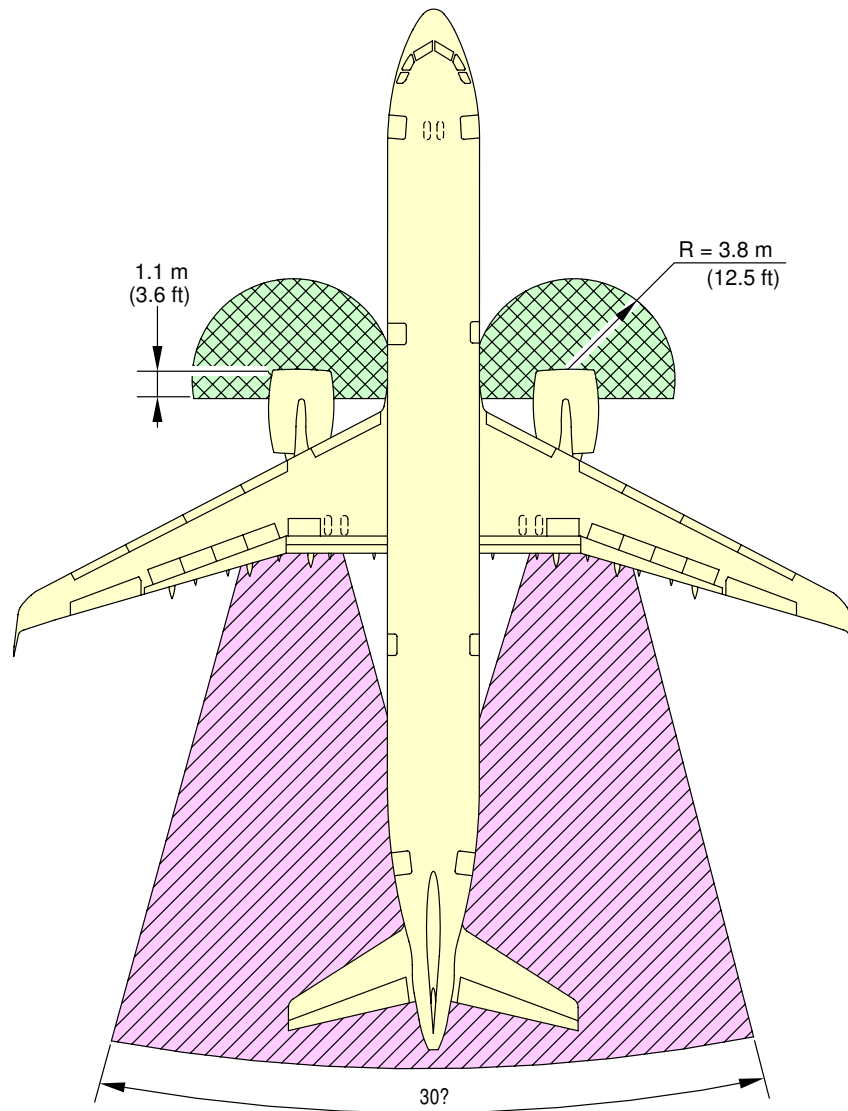


EXHAUST DANGER AREA

N_AC_060302_1_0080101_01_03

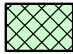
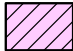
Danger Areas of the Engines
IAE V2500 Series Engine
FIGURE-6-3-2-991-008-A01

****ON A/C A321neo**



TO 63.5 m (208 ft) AFT OF COMMON NOZZLE ASSEMBLY (CNA)
INCLUDES CROSS WIND EFFECT

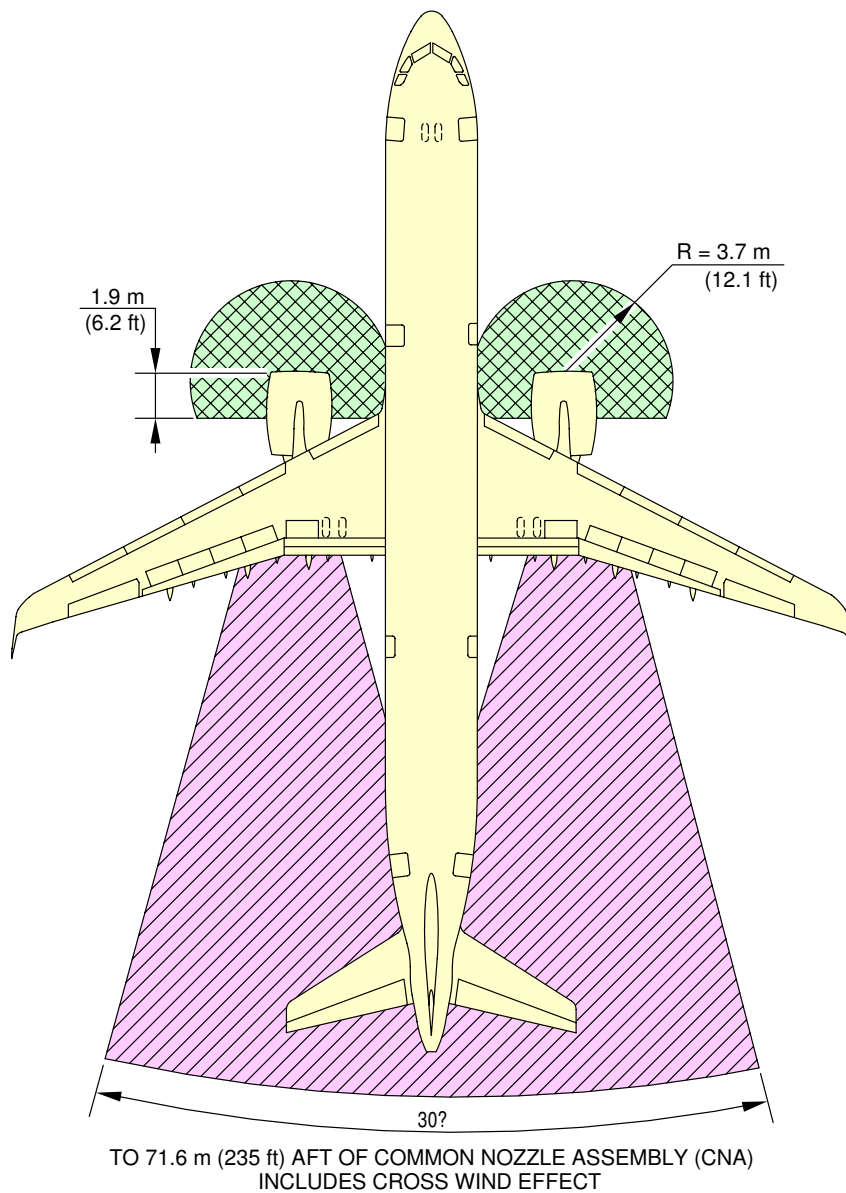
NOTE:

-  INTAKE SUCTION DANGER AREA MAX. TAKEOFF POWER
-  EXHAUST DANGER AREA



N_AC_060302_1_0130101_01_02

Danger Areas of the Engines
CFM LEAP-1A Engine
FIGURE-6-3-2-991-013-A01

**ON A/C A321neo



NOTE:

-  INTAKE SUCTION DANGER AREA MAX. TAKEOFF POWER
-  EXHAUST DANGER AREA

N_AC_060302_1_0140101_01_02

Danger Areas of the Engines
PW 1100G Engine
FIGURE-6-3-2-991-014-A01



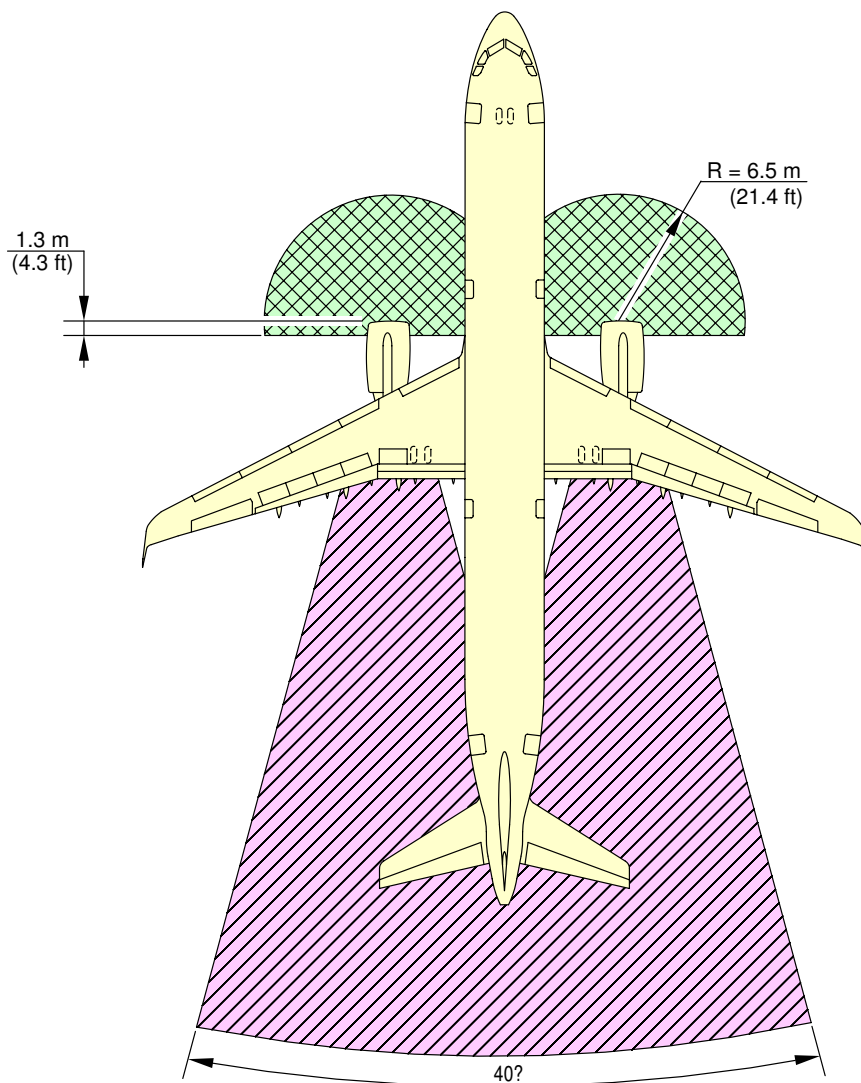
6-3-3 Max Take Off Power

****ON A/C A321-100 A321-200 A321neo**

Take Off Power

1. This section provides danger areas of the engines at maximum take-off power conditions.

**ON A/C A321-100 A321-200



TO 275 m (900 ft) AFT OF COMMON NOZZLE ASSEMBLY (CNA) INCLUDES CROSS WIND EFFECT

NOTE:

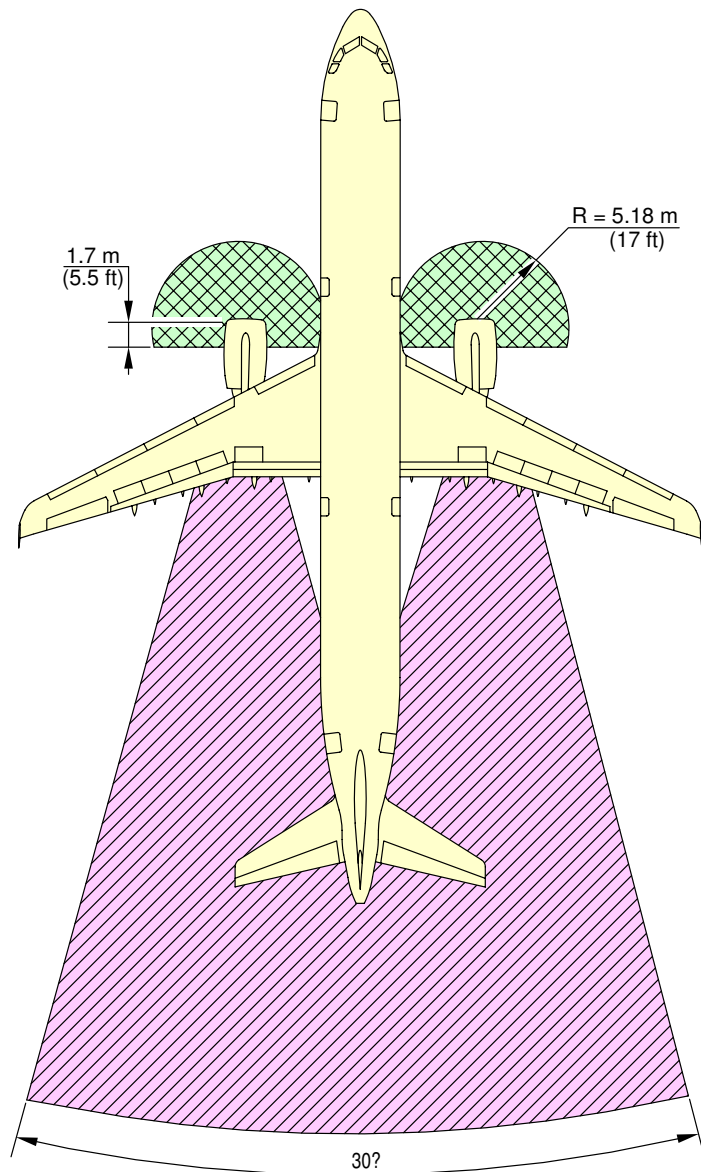
 INTAKE SUCTION DANGER AREA

 EXHAUST WAKE DANGER

N_AC_060303_1_0110101_01_01



Danger Areas of the Engine
CFM56-5B Series Engine
FIGURE-6-3-3-991-011-A01

**ON A/C A321-100 A321-200



TO 348 m (1150 ft) AFT OF COMMON NOZZLE ASSEMBLY (CNA)
INCLUDES CROSS WIND EFFECT

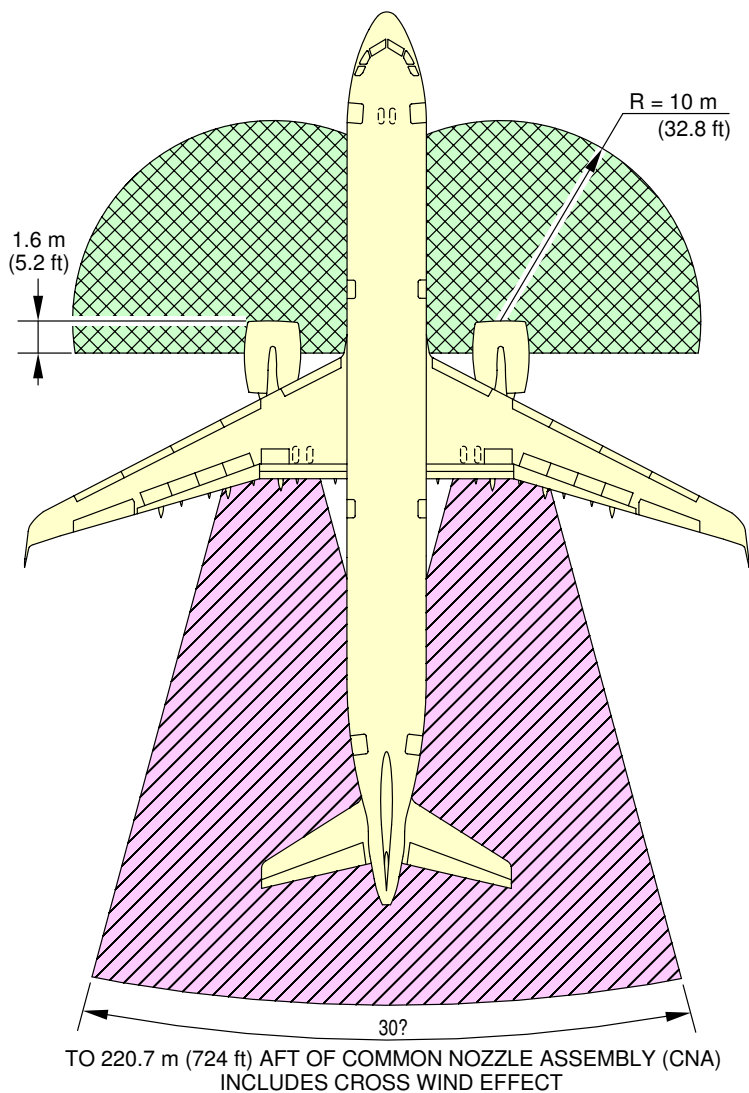
NOTE:

-  INTAKE SUCTION DANGER AREA MAX. TAKEOFF POWER
-  EXHAUST DANGER AREA

N_AC_060303_1_0120101_01_01

Danger Areas of the Engine
IAE V2500 Series Engine
FIGURE-6-3-3-991-012-A01

****ON A/C A321neo**



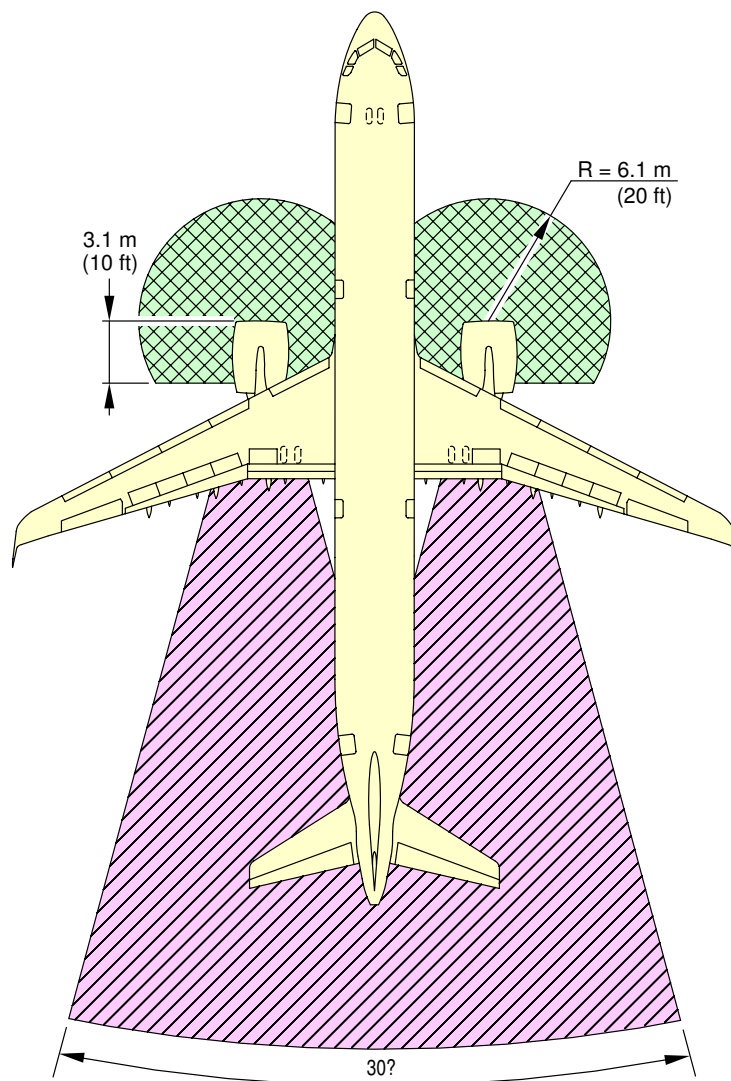
NOTE:

- INTAKE SUCTION DANGER AREA MAX. TAKEOFF POWER
- EXHAUST DANGER AREA

N_AC_060303_1_0130101_01_01



Danger Areas of the Engine
CFM LEAP-1A Engine
FIGURE-6-3-3-991-013-A01

****ON A/C A321neo**



TO 243 m (797.4 ft) AFT OF COMMON NOZZLE ASSEMBLY (CNA) INCLUDES CROSS WIND EFFECT

NOTE:

-  INTAKE SUCTION DANGER AREA MAX. TAKEOFF POWER
-  EXHAUST DANGER AREA

N_AC_060303_1_0140101_01_01

Danger Areas of the Engine
PW 1100G Engine
FIGURE-6-3-3-991-014-A01



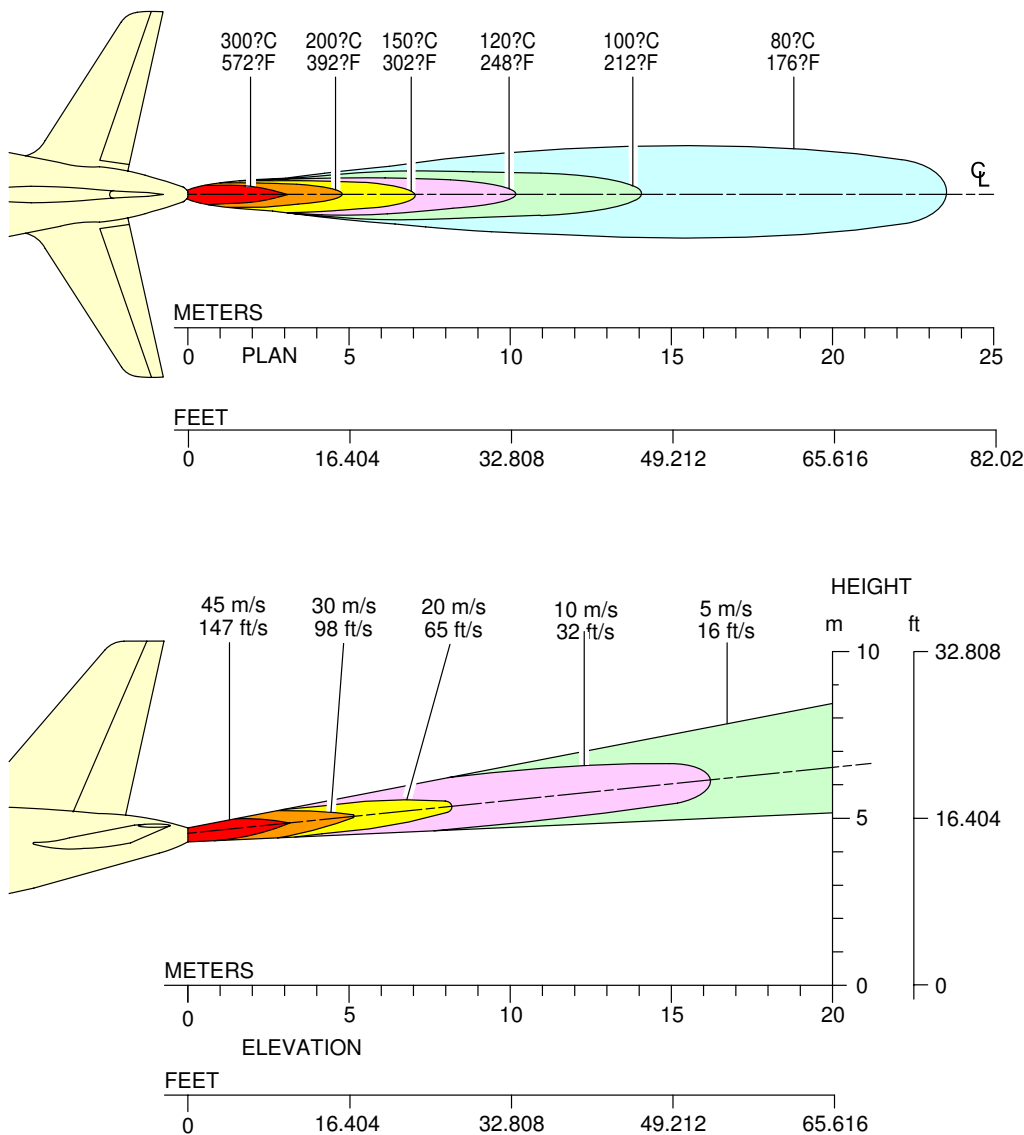
6-4-1 APU

**ON A/C A321-100 A321-200 A321neo

APU - APIC & GARRETT

1. This section gives APU exhaust velocities and temperatures.

**ON A/C A321-100 A321-200 A321neo



N_AC_060401_1_0040101_01_00

Exhaust Velocities and Temperatures
 APU – APIC & GARRETT
 FIGURE-6-4-1-991-004-A01

PAVEMENT DATA

7-1-0 General Information

****ON A/C A321-100 A321-200 A321neo**

General Information

1. A brief description of the pavement charts that follow will help in airport planning.

To aid in the interpolation between the discrete values shown, each aircraft configuration is shown with a minimum range of five loads on the Main Landing Gear (MLG).

All curves on the charts represent data at a constant specified tire pressure with:

- The aircraft loaded to the Maximum Ramp Weight (MRW),
- The CG at its maximum permissible aft position.

Pavement requirements for commercial aircraft are derived from the static analysis of loads imposed on the MLG struts.

Landing Gear Footprint:

Section 07-02-00 presents basic data on the landing gear footprint configuration, MRW and tire sizes and pressures.

Maximum Pavement Loads:

Section 07-03-00 shows maximum vertical and horizontal pavement loads for certain critical conditions at the tire-ground interfaces.

Landing Gear Loading on Pavement:

Section 07-04-00 contains charts to find these loads throughout the stability limits of the aircraft at rest on the pavement.

These MLG loads are used as the point of entry to the pavement design charts which follow, interpolating load values where necessary.

Flexible Pavement Requirements - US Army Corps of Engineers Design Method:

Section 07-05-00 uses procedures in Instruction Report No. S-77-1 "Procedures for Development of CBR Design Curves", dated June 1977 and as modified according to the methods described in ICAO Aerodrome Design Manual, Part 3. Pavements, 2nd Edition, 1983, Section 1.1 (The ACN-PCN Method), and utilizing the alpha factors approved by ICAO in October 2007.

The report was prepared by the "U.S. Army Corps Engineers Waterways Experiment Station, Soils and Pavement Laboratory, Vicksburg, Mississippi".

The line showing 10 000 coverages is used to calculate the Aircraft Classification Number (ACN).

Flexible Pavement Requirements - LCN Conversion Method:

The Load Classification Number (LCN) curves are no longer provided in section 07-06-00 since the LCN system for reporting pavement strength is obsolete, having been replaced by the ICAO recommended ACN/PCN system in 1983.

For questions regarding the LCN system, contact Airbus.

Rigid Pavement Requirements - PCA (Portland Cement Association) Design Method:

Section 07-07-00 gives the rigid pavement design curves that have been prepared with the use of the Westergaard Equation.

This is in general accordance with the procedures outlined in the Portland Cement Association publications, "Design of Concrete Airport Pavement", 1973 and "Computer Program for Airport Pavement Design" (Program PDILB), 1967 both by Robert G. Packard.

Rigid Pavement Requirements - LCN Conversion:

The Load Classification Number (LCN) curves are no longer provided in section 07-08-00 since the LCN system for reporting pavement strength is obsolete, having been replaced by the ICAO recommended ACN/PCN system in 1983.

For questions regarding the LCN system, contact Airbus.

ACN/PCN Reporting System:

Section 07-09-00 provides ACN data prepared according to the ACN/PCN system as referenced in ICAO Annex 14, "Aerodromes", Volume 1 "Aerodrome Design and Operations" Fourth Edition, July 2004, incorporating Amendments 1 to 6.

The ACN/PCN system provides a standardized international aircraft/pavement rating system replacing the various S, T, TT, LCN, AUW, ISWL, etc., rating systems used throughout the world. ACN is the Aircraft Classification Number and PCN is the corresponding Pavement Classification Number.

An aircraft having an ACN less than or equal to the PCN can operate without restriction on the pavement.

Numerically the ACN is two times the derived single wheel load expressed in thousands of kilograms. The derived single wheel load is defined as the load on a single tire inflated to 1.25 MPa (181 psi) that would have the same pavement requirements as the aircraft.

Computationally the ACN/PCN system uses PCA program PDILB for rigid pavements and S-77-1 for flexible pavements to calculate ACN values.

The Airport Authority must decide on the method of pavement analysis and the results of their evaluation shown as follows:

PCN			
PAVEMENT TYPE	SUBGRADE CATEGORY	TIRE PRESSURE CATEGORY	EVALUATION METHOD
R – Rigid	A – High	W – No pressure limit	T – Technical
F – Flexible	B – Medium	X – High pressure limited to 1.75 MPa (254 psi)	U – Using Aircraft

PCN			
PAVEMENT TYPE	SUBGRADE CATEGORY	TIRE PRESSURE CATEGORY	EVALUATION METHOD
	C – Low	Y – Medium pressure limited to 1.25 MPa (181 psi)	
	D – Ultra Low	Z – Low pressure limited to 0.5 MPa (73 psi)	

For flexible pavements, the four subgrade categories (CBR) are:

- A. High Strength CBR 15
- B. Medium Strength CBR 10
- C. Low Strength CBR 6
- D. Ultra Low Strength CBR 3

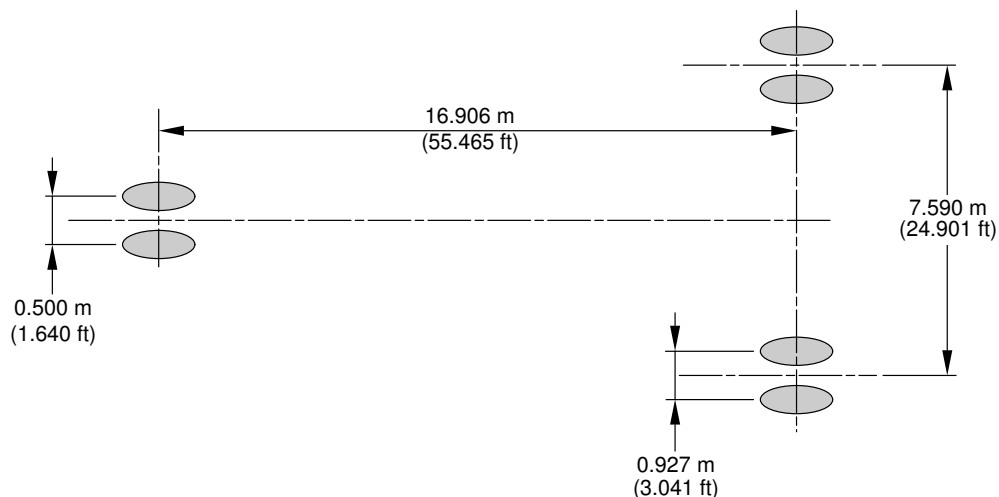
For rigid pavements, the four subgrade categories (k) are:

- A. High Strength k = 150 MN/m³ (550 pci)
- B. Medium Strength k = 80 MN/m³ (300 pci)
- C. Low Strength k = 40 MN/m³ (150 pci)
- D. Ultra Low Strength k = 20 MN/m³ (75 pci)

7-2-0 Landing Gear Footprint****ON A/C A321-100 A321-200 A321neo**Landing Gear Footprint

1. This section provides data about the landing gear footprint in relation to the aircraft MRW and tire sizes and pressures.
The landing-gear footprint information is given for all the operational weight variants of the aircraft.

****ON A/C A321-100**

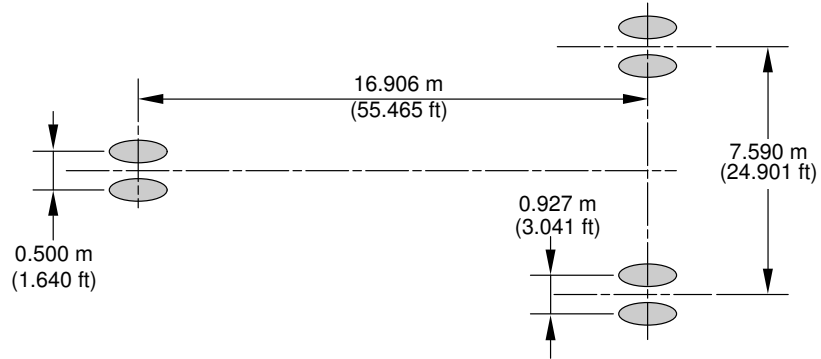


WEIGHT VARIANT	MAXIMUM RAMP WEIGHT	PERCENTAGE OF WEIGHT ON MAIN GEAR GROUP	NOSE GEAR TIRE SIZE	NOSE GEAR TIRE PRESSURE	MAIN GEAR TIRE SIZE	MAIN GEAR TIRE PRESSURE
A321-100 WV000	83 400 kg (183 875 lb)	95.7%	30x8.8R15 (30x8.8-15)	10.8 bar (157 psi)	1 270x455R22 (49x18-22)	13.6 bar (197 psi)
A321-100 WV002	83 400 kg (183 875 lb)	95.7%	30x8.8R15 (30x8.8-15)	10.8 bar (157 psi)	1 270x455R22 (49x18-22)	13.6 bar (197 psi)
A321-100 WV003	85 400 kg (188 275 lb)	95.7%	30x8.8R15 (30x8.8-15)	11 bar (160 psi)	1 270x455R22 (49x18-22)	13.9 bar (202 psi)
A321-100 WV004	78 400 kg (172 850 lb)	95.7%	30x8.8R15 (30x8.8-15)	10.1 bar (146 psi)	1 270x455R22 (49x18-22)	12.8 bar (186 psi)
A321-100 WV005	83 400 kg (183 875 lb)	95.7%	30x8.8R15 (30x8.8-15)	10.8 bar (157 psi)	1 270x455R22 (49x18-22)	13.6 bar (197 psi)
A321-100 WV006	78 400 kg (172 850 lb)	95.7%	30x8.8R15 (30x8.8-15)	10.1 bar (146 psi)	1 270x455R22 (49x18-22)	12.8 bar (186 psi)
A321-100 WV007	80 400 kg (177 250 lb)	95.7%	30x8.8R15 (30x8.8-15)	10.8 bar (157 psi)	1 270x455R22 (49x18-22)	13.6 bar (197 psi)
A321-100 WV008	89 400 kg (197 100 lb)	94.9%	30x8.8R15 (30x8.8-15)	11.6 bar (168 psi)	1 270x455R22 (49x18-22)	14.6 bar (212 psi)

N_AC_070200_1_0280101_01_01

Landing Gear Footprint
FIGURE-7-2-0-991-028-A01

****ON A/C A321-200**

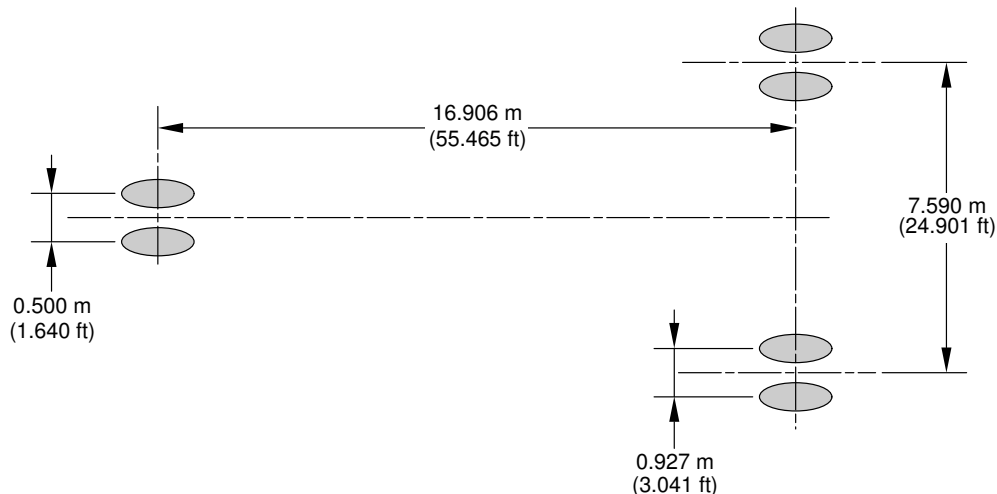


WEIGHT VARIANT	MAXIMUM RAMP WEIGHT	PERCENTAGE OF WEIGHT ON MAIN GEAR GROUP	NOSE GEAR TIRE SIZE	NOSE GEAR TIRE PRESSURE	MAIN GEAR TIRE SIZE	MAIN GEAR TIRE PRESSURE
A321-200 WV000	89 400 kg (197 100 lb)	95.5%	30x8.8R15 (30x8.8-15)	11.6 bar (168 psi)	1 270x455R22 (49x18-22)	14.6 bar (212 psi)
A321-200 WV001	93 400 kg (205 900 lb)	95.3%	30x8.8R15 (30x8.8-15)	11.6 bar (168 psi)	1 270x455R22 (49x18-22)	15 bar (218 psi)
A321-200 WV002	89 400 kg (197 100 lb)	95.5%	30x8.8R15 (30x8.8-15)	11.6 bar (168 psi)	1 270x455R22 (49x18-22)	14.6 bar (212 psi)
A321-200 WV003	91 400 kg (201 500 lb)	95.4%	30x8.8R15 (30x8.8-15)	11.6 bar (168 psi)	1 270x455R22 (49x18-22)	15 bar (218 psi)
A321-200 WV004	87 400 kg (192 675 lb)	95.7%	30x8.8R15 (30x8.8-15)	11.6 bar (168 psi)	1 270x455R22 (49x18-22)	14.6 bar (212 psi)
A321-200 WV005	85 400 kg (188 275 lb)	95.2%	30x8.8R15 (30x8.8-15)	11 bar (160 psi)	1 270x455R22 (49x18-22)	13.9 bar (202 psi)
A321-200 WV006	83 400 kg (183 875 lb)	95.4%	30x8.8R15 (30x8.8-15)	10.8 bar (157 psi)	1 270x455R22 (49x18-22)	13.6 bar (197 psi)
A321-200 WV007	83 400 kg (183 875 lb)	95.4%	30x8.8R15 (30x8.8-15)	10.8 bar (157 psi)	1 270x455R22 (49x18-22)	13.6 bar (197 psi)
A321-200 WV008 (CG 40.51%)	80 400 kg (177 250 lb)	95.6%	30x8.8R15 (30x8.8-15)	10.8 bar (157 psi)	1 270x455R22 (49x18-22)	13.6 bar (197 psi)
A321-200 WV008 (CG 39.71%)	80 400 kg (177 250 lb)	95.4%	30x8.8R15 (30x8.8-15)	10.8 bar (157 psi)	1 270x455R22 (49x18-22)	13.6 bar (197 psi)
A321-200 WV009 (CG 40.08%)	78 400 kg (172 850 lb)	95.5%	30x8.8R15 (30x8.8-15)	10.1 bar (146 psi)	1 270x455R22 (49x18-22)	12.8 bar (186 psi)
A321-200 WV009 (CG 39.21%)	78 400 kg (172 850 lb)	95.2%	30x8.8R15 (30x8.8-15)	10.1 bar (146 psi)	1 270x455R22 (49x18-22)	12.8 bar (186 psi)
A321-200 WV010	85 400 kg (188 275 lb)	95.2%	30x8.8R15 (30x8.8-15)	11 bar (160 psi)	1 270x455R22 (49x18-22)	13.9 bar (202 psi)
A321-200 WV011	93 900 kg (207 025 lb)	95.2%	30x8.8R15 (30x8.8-15)	11.6 bar (168 psi)	1 270x455R22 (49x18-22)	15 bar (218 psi)

N_AC_070200_1_0350101_01_02

Landing Gear Footprint
FIGURE-7-2-0-991-035-A01

****ON A/C A321neo**



WEIGHT VARIANT	MAXIMUM RAMP WEIGHT	PERCENTAGE OF WEIGHT ON MAIN GEAR GROUP	NOSE GEAR TIRE SIZE	NOSE GEAR TIRE PRESSURE	WING GEAR TIRE SIZE	WING GEAR TIRE PRESSURE
A321NEO WV050 (CG 38.02%)	89 400 kg (197 100 lb)	95.5%	30x8.8R15 (30x8.8-15)	11.6 bar (168 psi)	1 270x455R22 (49x18-22)	14.6 bar (212 psi)
A321NEO WV050 (CG 37%)	89 400 kg (197 100 lb)	95.3%	30x8.8R15 (30x8.8-15)	11.6 bar (168 psi)	1 270x455R22 (49x18-22)	14.6 bar (212 psi)
A321NEO WV051 (CG 38.02%)	89 400 kg (197 100 lb)	95.5%	30x8.8R15 (30x8.8-15)	11.6 bar (168 psi)	1 270x455R22 (49x18-22)	14.6 bar (212 psi)
A321NEO WV051 (CG 37%)	89 400 kg (197 100 lb)	95.3%	30x8.8R15 (30x8.8-15)	11.6 bar (168 psi)	1 270x455R22 (49x18-22)	14.6 bar (212 psi)
A321NEO WV052	93 900 kg (207 025 lb)	95.2%	30x8.8R15 (30x8.8-15)	11.6 bar (168 psi)	1 270x455R22 (49x18-22)	15 bar (218 psi)
A321NEO WV053	93 900 kg (207 025 lb)	95.2%	30x8.8R15 (30x8.8-15)	11.6 bar (168 psi)	1 270x455R22 (49x18-22)	15 bar (218 psi)
A321NEO WV056 (CG 37.12%)	92 900 kg (204 800 lb)	95.3%	30x8.8R15 (30x8.8-15)	11.6 bar (168 psi)	1 270x455R22 (49x18-22)	15 bar (218 psi)
A321NEO WV056 (CG 37%)	92 900 kg (204 800 lb)	95.3%	30x8.8R15 (30x8.8-15)	11.6 bar (168 psi)	1 270x455R22 (49x18-22)	15 bar (218 psi)
A321NEO WV063 (CG 37.5%)	91 400 kg (201 500 lb)	95.3%	30x8.8R15 (30x8.8-15)	11.6 bar (168 psi)	1 270x455R22 (49x18-22)	15 bar (218 psi)
A321NEO WV063 (CG 37%)	91 400 kg (201 500 lb)	95.3%	30x8.8R15 (30x8.8-15)	11.6 bar (168 psi)	1 270x455R22 (49x18-22)	15 bar (218 psi)
A321NEO WV065 (CG 37.62%)	90 900 kg (200 400 lb)	95.4%	30x8.8R15 (30x8.8-15)	11.6 bar (168 psi)	1 270x455R22 (49x18-22)	15 bar (218 psi)

N_AC_070200_1_0380101_01_04

Landing Gear Footprint
(Sheet 1 of 2)
FIGURE-7-2-0-991-038-A01

****ON A/C A321neo**

WEIGHT VARIANT	MAXIMUM RAMP WEIGHT	PERCENTAGE OF WEIGHT ON MAIN GEAR GROUP	NOSE GEAR TIRE SIZE	NOSE GEAR TIRE PRESSURE	WING GEAR TIRE SIZE	WING GEAR TIRE PRESSURE
A321NEO WV065 (CG 37%)	90 900 kg (200 400 lb)	95.3%	30x8.8R15 (30x8.8-15)	11.6 bar (168 psi)	1 270x455R22 (49x18-22)	15 bar (218 psi)
A321NEO WV070 (CG 38.71%)	80 400 kg (177 250 lb)	95.1%	30x8.8R15 (30x8.8-15)	10.8 bar (157 psi)	1 270x455R22 (49x18-22)	13.6 bar (197 psi)
A321NEO WV070 (CG 37%)	80 400 kg (177 250 lb)	94.7%	30x8.8R15 (30x8.8-15)	10.8 bar (157 psi)	1 270x455R22 (49x18-22)	13.6 bar (197 psi)
A321NEO WV071	97 400 kg (214 725 lb)	95.0%	30x8.8R15 (30x8.8-15)	11.6 bar (168 psi)	1 270x455R22 (49x18-22)	15.7 bar (228 psi)
A321NEO WV072	97 400 kg (214 725 lb)	95.0%	30x8.8R15 (30x8.8-15)	11.6 bar (168 psi)	1 270x455R22 (49x18-22)	15.7 bar (228 psi)
A321NEO WV080	95 400 kg (210 325 lb)	95.2%	30x8.8R15 (30x8.8-15)	11.6 bar (168 psi)	1 270x455R22 (49x18-22)	15.7 bar (228 psi)

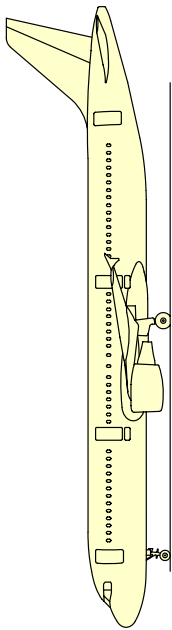
N_AC_070200_1_0380105_01_00

Landing Gear Footprint
(Sheet 2 of 2)
FIGURE-7-2-0-991-038-A01

7-3-0 Maximum Pavement Loads****ON A/C A321-100 A321-200 A321neo**Maximum Pavement Loads

1. This section provides maximum vertical and horizontal pavement loads for some critical conditions at the tire-ground interfaces.
The maximum pavement loads are given for all the operational weight variants of the aircraft.

****ON A/C A321-100**



V(NG) MAXIMUM VERTICAL NOSE GEAR GROUND LOAD AT FWD CG
 V(MG) MAXIMUM VERTICAL MAIN GEAR GROUND LOAD AT AFT CG
 H MAXIMUM HORIZONTAL GROUND LOAD FROM BRAKING

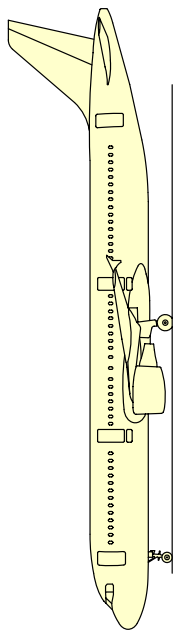
1	2	3		4		5		6	
		V(NG)		V(MG)		H (PER STRUT)		STEADY BRAKING AT INSTANTANEOUS BRAKING COEFFICIENT = 0.8	
WEIGHT VARIANT	MAXIMUM RAMP WEIGHT	STATIC LOAD AT FWD CG	STATIC BRAKING AT 10 ft/s? DECELERATION	STATIC LOAD AT AFT CG	STATIC BRAKING AT 10 ft/s? DECELERATION	STATIC LOAD AT AFT CG	STEADY BRAKING AT 10 ft/s? DECELERATION	STEADY BRAKING AT INSTANTANEOUS BRAKING COEFFICIENT = 0.8	H (PER STRUT)
A321-100 WV000	83 400 kg (183 875 lb)	8 570 kg (18 900 lb) 17.5 % MAC (a)	13 730 kg (30 275 lb)	39 910 kg (87 975 lb) 41 % MAC (a)	12 960 kg (28 575 lb)	31 920 kg (70 375 lb)	12 960 kg (28 575 lb)	31 920 kg (70 375 lb)	
A321-100 WV002	83 400 kg (183 875 lb)	8 570 kg (18 900 lb) 17.5 % MAC (a)	13 730 kg (30 275 lb)	39 910 kg (87 975 lb) 41 % MAC (a)	12 960 kg (28 575 lb)	31 920 kg (70 375 lb)	12 960 kg (28 575 lb)	31 920 kg (70 375 lb)	
A321-100 WV003	85 400 kg (188 275 lb)	8 600 kg (18 950 lb) 18.3 % MAC (a)	13 880 kg (30 600 lb)	40 860 kg (90 100 lb) 41 % MAC (a)	13 270 kg (29 250 lb)	32 690 kg (72 075 lb)	13 270 kg (29 250 lb)	32 690 kg (72 075 lb)	
A321-100 WV004	78 400 kg (172 850 lb)	8 480 kg (18 675 lb) 15.4 % MAC (a)	13 340 kg (29 425 lb)	37 510 kg (82 700 lb) 41 % MAC (a)	12 180 kg (26 850 lb)	30 010 kg (66 150 lb)	12 180 kg (26 850 lb)	30 010 kg (66 150 lb)	
A321-100 WV005	83 400 kg (183 875 lb)	8 570 kg (18 900 lb) 17.5 % MAC (a)	13 730 kg (30 275 lb)	39 910 kg (87 975 lb) 41 % MAC (a)	12 960 kg (28 575 lb)	31 920 kg (70 375 lb)	12 960 kg (28 575 lb)	31 920 kg (70 375 lb)	
A321-100 WV006	78 400 kg (172 850 lb)	8 480 kg (18 675 lb) 15.4 % MAC (a)	13 340 kg (29 425 lb)	37 510 kg (82 700 lb) 41 % MAC (a)	12 180 kg (26 850 lb)	30 010 kg (66 150 lb)	12 180 kg (26 850 lb)	30 010 kg (66 150 lb)	
A321-100 WV007	80 400 kg (177 250 lb)	8 510 kg (18 750 lb) 16.3 % MAC (a)	13 490 kg (29 750 lb)	38 470 kg (84 800 lb) 41 % MAC (a)	12 490 kg (27 550 lb)	30 770 kg (67 850 lb)	12 490 kg (27 550 lb)	30 770 kg (67 850 lb)	
A321-100 WV008	89 400 kg (197 100 lb)	9 180 kg (20 225 lb) 17.5 % MAC (a)	14 690 kg (32 375 lb)	42 430 kg (93 550 lb) 38 % MAC (a)	13 890 kg (30 625 lb)	33 950 kg (74 825 lb)	13 890 kg (30 625 lb)	33 950 kg (74 825 lb)	

NOTE:
 (a) LOADS CALCULATED USING AIRCRAFT AT MRW.

N_AC_070300_1_0330101_01_02

Maximum Pavement Loads
 FIGURE-7-3-0-991-033-A01

****ON A/C A321-200**



V(NG) MAXIMUM VERTICAL NOSE GEAR GROUND LOAD AT FWD CG
 V(MG) MAXIMUM VERTICAL MAIN GEAR GROUND LOAD AT AFT CG
 H MAXIMUM HORIZONTAL GROUND LOAD FROM BRAKING

1	2	3		4		5		6	
		V(NG)		V(MG)		V(MG)		H (PER STRUT)	
WEIGHT VARIANT	MAXIMUM RAMP WEIGHT	STATIC LOAD AT FWD CG	STATIC BRAKING AT 10 ft/s? DECELERATION	STATIC LOAD AT AFT CG	STATIC BRAKING AT 10 ft/s? DECELERATION	STATIC LOAD AT AFT CG	STEADY BRAKING AT 10 ft/s? DECELERATION	STEADY BRAKING AT INSTANTANEOUS BRAKING COEFFICIENT = 0.8	
A321-200 WV000	89 400 kg (197 100 lb)	8 680 kg (19 150 lb) 17.5 % MAC (a)	14 190 kg (31 275 lb)	42 700 kg (94 150 lb) 38 % MAC (a)	13 890 kg (30 625 lb)	42 700 kg (94 150 lb) 38 % MAC (a)	13 890 kg (30 625 lb)	34 160 kg (75 325 lb)	
A321-200 WV001	93 400 kg (205 900 lb)	8 640 kg (19 050 lb) 17.5 % MAC (b)	14 110 kg (31 100 lb)	44 490 kg (98 100 lb) 37 % MAC (a)	14 510 kg (32 000 lb)	44 490 kg (98 100 lb) 37 % MAC (a)	14 510 kg (32 000 lb)	35 590 kg (78 475 lb)	
A321-200 WV002	89 400 kg (197 100 lb)	8 680 kg (19 150 lb) 17.5 % MAC (a)	14 190 kg (31 275 lb)	42 700 kg (94 150 lb) 38 % MAC (a)	13 890 kg (30 625 lb)	42 700 kg (94 150 lb) 38 % MAC (a)	13 890 kg (30 625 lb)	34 160 kg (75 325 lb)	
A321-200 WV003	91 400 kg (201 500 lb)	8 640 kg (19 050 lb) 17.5 % MAC (b)	14 120 kg (31 125 lb)	43 600 kg (96 125 lb) 37.49 % MAC (a)	14 200 kg (31 325 lb)	43 600 kg (96 125 lb) 37.49 % MAC (a)	14 200 kg (31 325 lb)	34 880 kg (76 900 lb)	
A321-200 WV004	87 400 kg (192 675 lb)	8 490 kg (18 725 lb) 17.5 % MAC (a)	13 880 kg (30 600 lb)	41 810 kg (92 175 lb) 38.53 % MAC (a)	13 580 kg (29 950 lb)	41 810 kg (92 175 lb) 38.53 % MAC (a)	13 580 kg (29 950 lb)	33 440 kg (73 725 lb)	

NOTE:
 (a) LOADS CALCULATED USING AIRCRAFT AT MRW.
 (b) LOADS CALCULATED USING AIRCRAFT AT 89 000 kg (196 200 lb).

N_AC_070300_1_0440101_01_01

Maximum Pavement Loads
 (Sheet 1 of 2)
 FIGURE-7-3-0-991-044-A01

**ON A/C A321-200

1	2	3		4		5		6	
		V(NG)		STATIC BRAKING AT 10 ft/s? DECELERATION		V(MG)(PER STRUT)		H (PER STRUT)	
WEIGHT VARIANT	MAXIMUM RAMP WEIGHT	STATIC LOAD AT FWD CG	STATIC BRAKING AT 10 ft/s? DECELERATION	STATIC BRAKING AT 10 ft/s? DECELERATION	STATIC LOAD AT AFT CG	STATIC LOAD AT AFT CG	STEADY BRAKING AT 10 ft/s? DECELERATION	STEADY BRAKING AT INSTANTANEOUS BRAKING COEFFICIENT = 0.8	
A321-200 WV005	85 400 kg (188 275 lb)	8 760 kg (19 325 lb) 17.5 % MAC (a)	14 030 kg (30 925 lb)	14 030 kg (30 925 lb)	40 660 kg (89 625 lb) 39.1 % MAC (a)	40 660 kg (89 625 lb)	13 270 kg (29 250 lb)	32 530 kg (71 700 lb)	
A321-200 WV006	83 400 kg (183 875 lb)	8 560 kg (18 875 lb) 17.5 % MAC (a)	13 710 kg (30 225 lb)	13 710 kg (30 225 lb)	39 770 kg (87 675 lb) 39.7 % MAC (a)	39 770 kg (87 675 lb)	12 960 kg (28 575 lb)	31 820 kg (70 150 lb)	
A321-200 WV007	83 400 kg (183 875 lb)	8 560 kg (18 875 lb) 17.5 % MAC (a)	13 710 kg (30 225 lb)	13 710 kg (30 225 lb)	39 770 kg (87 675 lb) 39.7 % MAC (a)	39 770 kg (87 675 lb)	12 960 kg (28 575 lb)	31 820 kg (70 150 lb)	
A321-200 WV008 (CG 40.51 %)	80 400 kg (177 250 lb)	8 510 kg (18 750 lb) 16.28 % MAC (a)	13 480 kg (29 725 lb)	13 480 kg (29 725 lb)	38 420 kg (84 700 lb) 40.51 % MAC (a)	38 420 kg (84 700 lb)	12 490 kg (27 550 lb)	30 740 kg (67 750 lb)	
A321-200 WV008 (CG 39.71 %)	80 400 kg (177 250 lb)	8 510 kg (18 750 lb) 16.28 % MAC (a)	13 480 kg (29 725 lb)	13 480 kg (29 725 lb)	38 340 kg (84 525 lb) 39.71 % MAC (a)	38 340 kg (84 525 lb)	12 490 kg (27 550 lb)	30 670 kg (67 625 lb)	
A321-200 WV009 (CG 40.08 %)	78 400 kg (172 850 lb)	8 470 kg (18 675 lb) 15.41 % MAC (a)	13 330 kg (29 375 lb)	13 330 kg (29 375 lb)	37 420 kg (82 500 lb) 40.08 % MAC (a)	37 420 kg (82 500 lb)	12 180 kg (26 850 lb)	29 940 kg (66 000 lb)	
A321-200 WV009 (CG 39.21 %)	78 400 kg (172 850 lb)	8 470 kg (18 675 lb) 15.41 % MAC (a)	13 330 kg (29 375 lb)	13 330 kg (29 375 lb)	37 330 kg (82 300 lb) 39.21 % MAC (a)	37 330 kg (82 300 lb)	12 180 kg (26 850 lb)	29 870 kg (65 850 lb)	
A321-200 WV010	85 400 kg (188 275 lb)	8 760 kg (19 325 lb) 17.5 % MAC (a)	14 030 kg (30 925 lb)	14 030 kg (30 925 lb)	40 660 kg (89 625 lb) 39.1 % MAC (a)	40 660 kg (89 625 lb)	13 270 kg (29 250 lb)	32 530 kg (71 700 lb)	
A321-200 WV011	93 900 kg (207 025 lb)	8 640 kg (19 050 lb) 17.5 % MAC (b)	14 110 kg (31 125 lb)	14 110 kg (31 125 lb)	44 720 kg (98 575 lb) 36.88 % MAC (a)	44 720 kg (98 575 lb)	14 590 kg (32 175 lb)	35 770 kg (78 875 lb)	

NOTE:

(a) LOADS CALCULATED USING AIRCRAFT AT MRW.

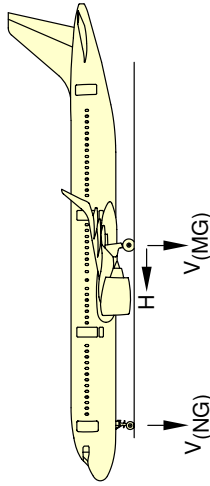
(b) LOADS CALCULATED USING AIRCRAFT AT 89 000 kg (196 200 lb).

N_AC_070300_1_0440102_01_03

Maximum Pavement Loads
(Sheet 2 of 2)

FIGURE-7-3-0-991-044-A01

****ON A/C A321neo**



V(NG) MAXIMUM VERTICAL NOSE GEAR GROUND LOAD AT FWD CG
 V(MG) MAXIMUM VERTICAL MAIN GEAR GROUND LOAD AT AFT CG
 H MAXIMUM HORIZONTAL GROUND LOAD FROM BRAKING

1	2	3		4		5		6	
		V (NG)		STATIC BRAKING AT 10 ft/s? DECELERATION		V (MG) (PER STRUT)		H (PER STRUT)	
WEIGHT VARIANT	MAXIMUM RAMP WEIGHT	STATIC LOAD AT FWD CG	STATIC BRAKING AT 10 ft/s? DECELERATION	STATIC LOAD AT AFT CG	STEADY BRAKING AT 10 ft/s? DECELERATION	STATIC LOAD AT AFT CG	STEADY BRAKING AT 10 ft/s? DECELERATION	AT INSTANTANEOUS BRAKING COEFFICIENT = 0.8	
A321NEO WV050 (CG 38.02%)	89 400 kg (197 100 lb)	8 680 kg (19 125 lb) 17.5% MAC (a)	14 190 kg (31 275 lb)	42 700 kg (94 125 lb) 38.02% MAC (a)	13 890 kg (30 625 lb)	42 700 kg (94 125 lb) 38.02% MAC (a)	13 890 kg (30 625 lb)	34 160 kg (75 300 lb)	
A321NEO WV050 (CG 37%)	89 400 kg (197 100 lb)	8 680 kg (19 125 lb) 17.5% MAC (a)	14 190 kg (31 275 lb)	42 580 kg (93 875 lb) 37% MAC (a)	13 890 kg (30 625 lb)	42 580 kg (93 875 lb) 37% MAC (a)	13 890 kg (30 625 lb)	34 070 kg (75 100 lb)	
A321NEO WV051 (CG 38.02%)	89 400 kg (197 100 lb)	8 680 kg (19 125 lb) 17.5% MAC (a)	14 190 kg (31 275 lb)	42 700 kg (94 125 lb) 38.02% MAC (a)	13 890 kg (30 625 lb)	42 700 kg (94 125 lb) 38.02% MAC (a)	13 890 kg (30 625 lb)	34 160 kg (75 300 lb)	
A321NEO WV051 (CG 37%)	89 400 kg (197 100 lb)	8 680 kg (19 125 lb) 17.5% MAC (a)	14 190 kg (31 275 lb)	42 580 kg (93 875 lb) 37% MAC (a)	13 890 kg (30 625 lb)	42 580 kg (93 875 lb) 37% MAC (a)	13 890 kg (30 625 lb)	34 070 kg (75 100 lb)	
A321NEO WV052	93 900 kg (207 025 lb)	8 640 kg (19 050 lb) 17.5% MAC (b)	14 190 kg (31 275 lb)	44 720 kg (98 600 lb) 36.88% MAC (a)	14 590 kg (32 175 lb)	44 720 kg (98 600 lb) 36.88% MAC (a)	14 590 kg (32 175 lb)	35 770 kg (78 850 lb)	
A321NEO WV053	93 900 kg (207 025 lb)	8 640 kg (19 050 lb) 17.5% MAC (b)	14 110 kg (31 100 lb)	44 720 kg (98 600 lb) 36.88% MAC (a)	14 590 kg (32 175 lb)	44 720 kg (98 600 lb) 36.88% MAC (a)	14 590 kg (32 175 lb)	35 770 kg (78 850 lb)	
A321NEO WV056 (CG 37.12%)	92 900 kg (204 800 lb)	8 640 kg (19 050 lb) 17.5% MAC (b)	14 110 kg (31 100 lb)	44 270 kg (97 600 lb) 37.12% MAC (a)	14 440 kg (31 825 lb)	44 270 kg (97 600 lb) 37.12% MAC (a)	14 440 kg (31 825 lb)	35 420 kg (78 100 lb)	
A321NEO WV056 (CG 37%)	92 900 kg (204 800 lb)	8 640 kg (19 050 lb) 17.5% MAC (b)	14 110 kg (31 100 lb)	44 250 kg (97 550 lb) 37% MAC (a)	14 440 kg (31 825 lb)	44 250 kg (97 550 lb) 37% MAC (a)	14 440 kg (31 825 lb)	35 400 kg (78 050 lb)	
A321NEO WV063 (CG 37.5%)	91 400 kg (201 500 lb)	8 640 kg (19 050 lb) 17.5% MAC (b)	14 110 kg (31 100 lb)	43 600 kg (96 125 lb) 37.5% MAC (a)	14 200 kg (31 300 lb)	43 600 kg (96 125 lb) 37.5% MAC (a)	14 200 kg (31 300 lb)	34 880 kg (76 900 lb)	

NOTE:

(a) LOADS CALCULATED USING AIRCRAFT AT MRW.

(b) LOADS CALCULATED USING AIRCRAFT AT 89 000 kg (196 200 lb).

N_AC_070300_1_0450101_01_05

Maximum Pavement Loads
(Sheet 1 of 2)

FIGURE-7-3-0-991-045-A01

**ON A/C A321neo

1	2	3		4		5		6	
		V(NG)		STATIC BRAKING AT 10 ft/s? DECELERATION		V(MG)/(PER STRUT)		H (PER STRUT)	
WEIGHT VARIANT	MAXIMUM RAMP WEIGHT	STATIC LOAD AT FWD CG	STATIC BRAKING AT 10 ft/s? DECELERATION	STATIC BRAKING AT 10 ft/s? DECELERATION	STATIC LOAD AT AFT CG	STEADY BRAKING AT 10 ft/s? DECELERATION	STEADY BRAKING AT INSTANTANEOUS BRAKING COEFFICIENT = 0.8		
A321NEO WV063 (CG 37%)	91 400 kg (201 500 lb)	8 640 kg (19 050 lb) 17.5% MAC (b)	14 110 kg (31 100 lb)	14 110 kg (31 100 lb)	43 540 kg (96 000 lb) 37% MAC (a)	14 200 kg (31 300 lb)	34 830 kg (76 775 lb)		
A321NEO WV065 (CG 37.62%)	90 900 kg (200 400 lb)	8 640 kg (19 050 lb) 17.5% MAC (b)	14 120 kg (31 125 lb)	14 120 kg (31 125 lb)	43 370 kg (95 625 lb) 37.62% MAC (a)	14 130 kg (31 150 lb)	34 700 kg (76 500 lb)		
A321NEO WV065 (CG 37%)	90 900 kg (200 400 lb)	8 640 kg (19 050 lb) 17.5% MAC (b)	14 120 kg (31 125 lb)	14 120 kg (31 125 lb)	43 300 kg (95 450 lb) 37% MAC (a)	14 130 kg (31 150 lb)	34 640 kg (76 375 lb)		
A321NEO WV070 (CG 38.71%)	80 400 kg (177 250 lb)	8 510 kg (18 750 lb) 16.28% MAC (a)	13 480 kg (29 725 lb)	13 480 kg (29 725 lb)	38 230 kg (84 275 lb) 38.71% MAC (a)	12 490 kg (27 525 lb)	30 590 kg (67 450 lb)		
A321NEO WV070 (CG 37%)	80 400 kg (177 250 lb)	8 510 kg (18 750 lb) 16.28% MAC (a)	13 480 kg (29 725 lb)	13 480 kg (29 725 lb)	38 060 kg (83 900 lb) 37% MAC (a)	12 490 kg (27 525 lb)	30 450 kg (67 125 lb)		
A321NEO WV071	97 400 kg (214 725 lb)	8 640 kg (19 050 lb) 17.5% MAC (b)	14 100 kg (31 075 lb)	14 100 kg (31 075 lb)	46 280 kg (102 025 lb) 36.07% MAC (a)	15 140 kg (33 375 lb)	37 030 kg (81 625 lb)		
A321NEO WV072	97 400 kg (214 725 lb)	8 640 kg (19 050 lb) 17.5% MAC (b)	14 100 kg (31 075 lb)	14 100 kg (31 075 lb)	46 280 kg (102 025 lb) 36.07% MAC (a)	15 140 kg (33 375 lb)	37 030 kg (81 625 lb)		
A321NEO WV080	95 400 kg (210 325 lb)	8 640 kg (19 050 lb) 17.5% MAC (b)	14 110 kg (31 100 lb)	14 110 kg (31 100 lb)	45 390 kg (100 075 lb) 36.53% MAC (a)	14 830 kg (32 700 lb)	36 310 kg (80 050 lb)		

NOTE:

- (a) LOADS CALCULATED USING AIRCRAFT AT MRW.
- (b) LOADS CALCULATED USING AIRCRAFT AT 89 000 kg (196 200 lb).

N_AC_070300_1_0450102_01_00

Maximum Pavement Loads
(Sheet 2 of 2)

FIGURE-7-3-0-991-045-A01

7-4-0 Landing Gear Loading on Pavement

****ON A/C A321-100 A321-200 A321neo**

Landing Gear Loading on Pavement

1. Landing Gear Loading on Pavement

This section provides data about the landing gear loading on pavement.

The MLG loading on pavement graphs are given for the weight variants that produce (at the MRW and maximum aft CG) the lowest MLG load and the highest MLG load for each type of aircraft.

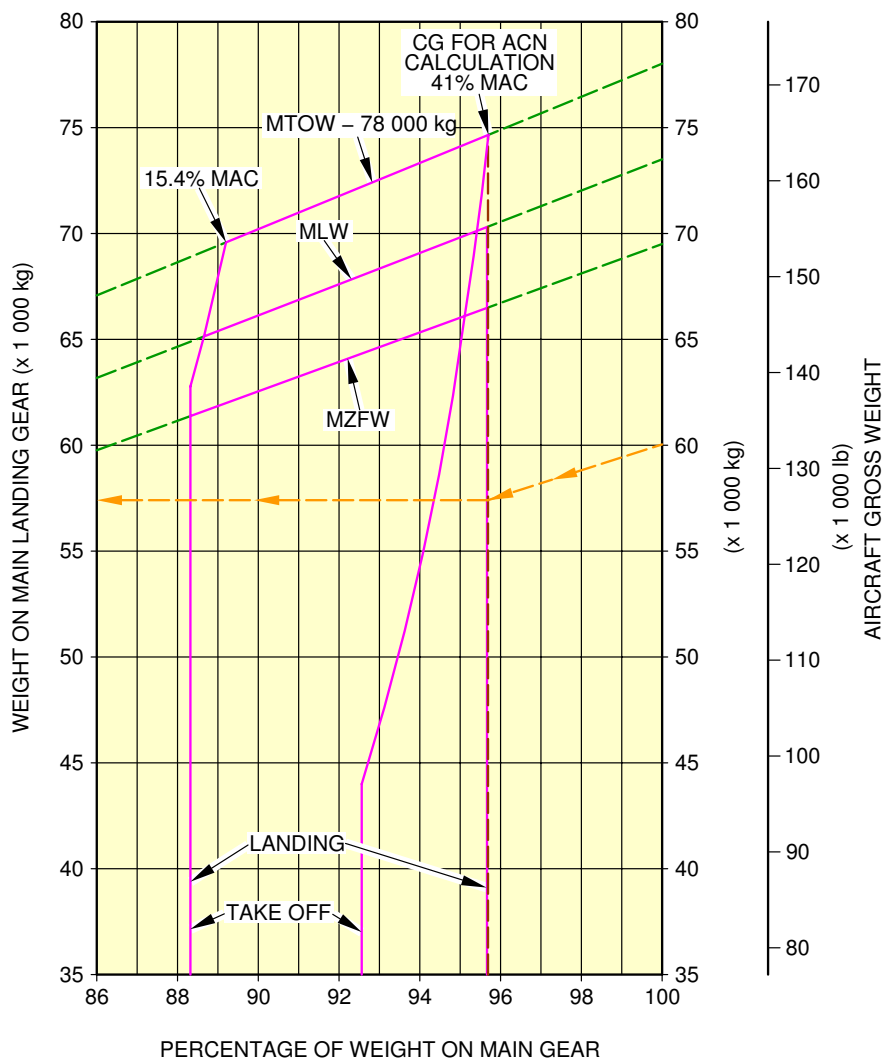
Example, see FIGURE 7-4-0-991-014-A, calculation of the total weight on the MLG for:

- An aircraft with a MRW of 78 400 kg (172 850 lb),
- The aircraft gross weight is 60 000 kg (132 275 lb),
- A percentage of weight on the MLG of 95.7% (percentage of weight on the MLG at MRW and maximum aft CG).

The total weight on the MLG group is 57 410 kg (126 575 lb).

NOTE : The CG in the figure title is the CG used for ACN/LCN calculation.

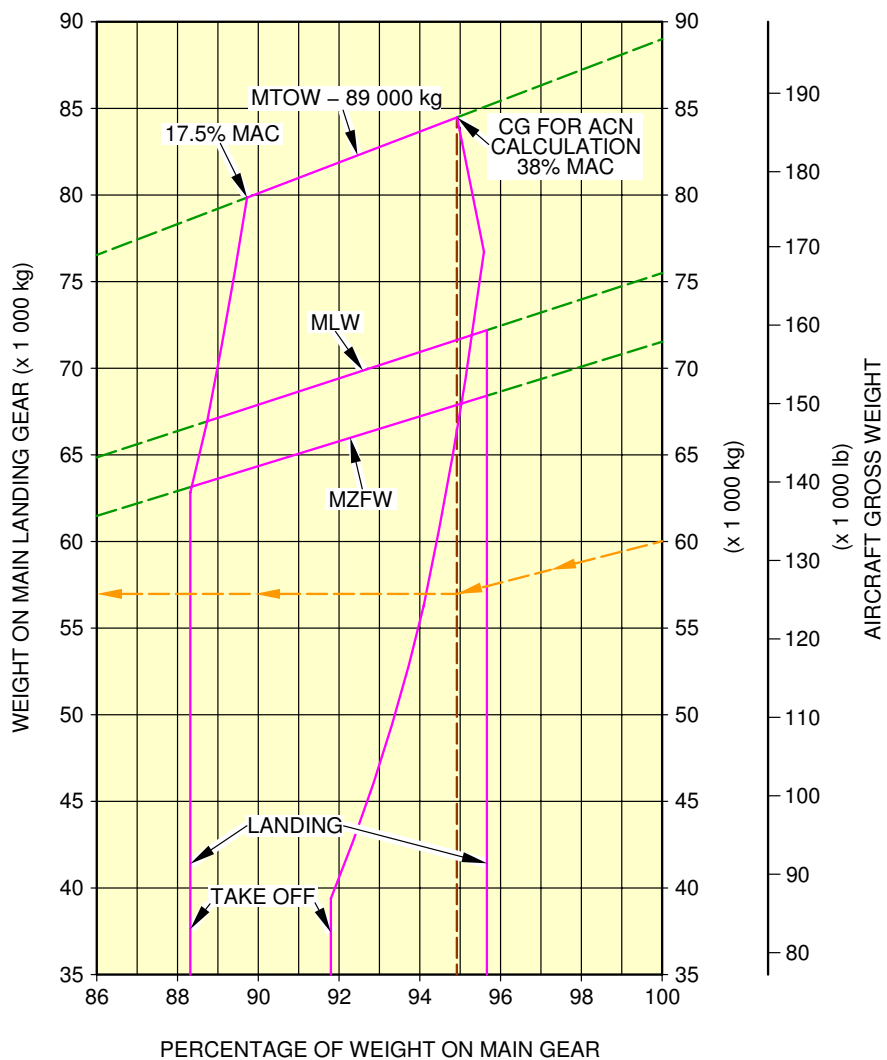
**ON A/C A321-100



N_AC_070400_1_0140101_01_00

Landing Gear Loading on Pavement
 WV004, MRW 78 400 kg, CG 41%
 FIGURE-7-4-0-991-014-A01

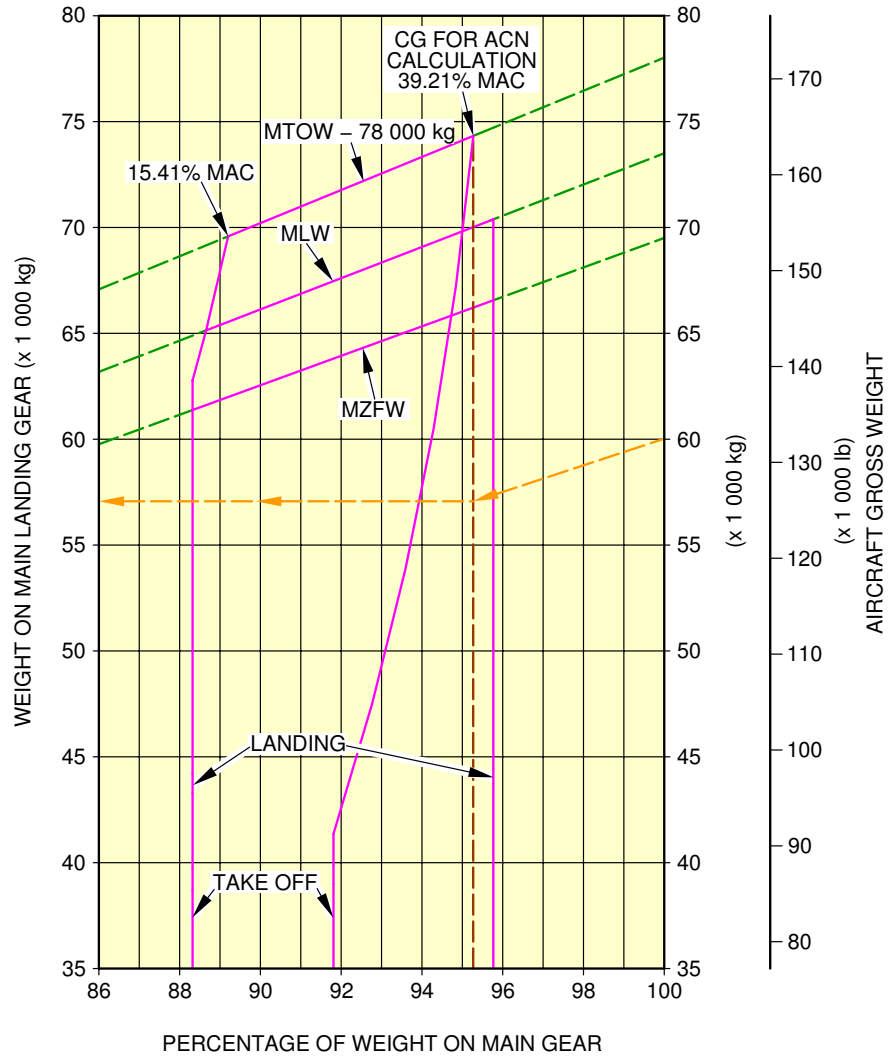
****ON A/C A321-100**



N_AC_070400_1_0160101_01_00

Landing Gear Loading on Pavement
 WV008, MRW 89 400 kg, CG 38%
 FIGURE-7-4-0-991-016-A01

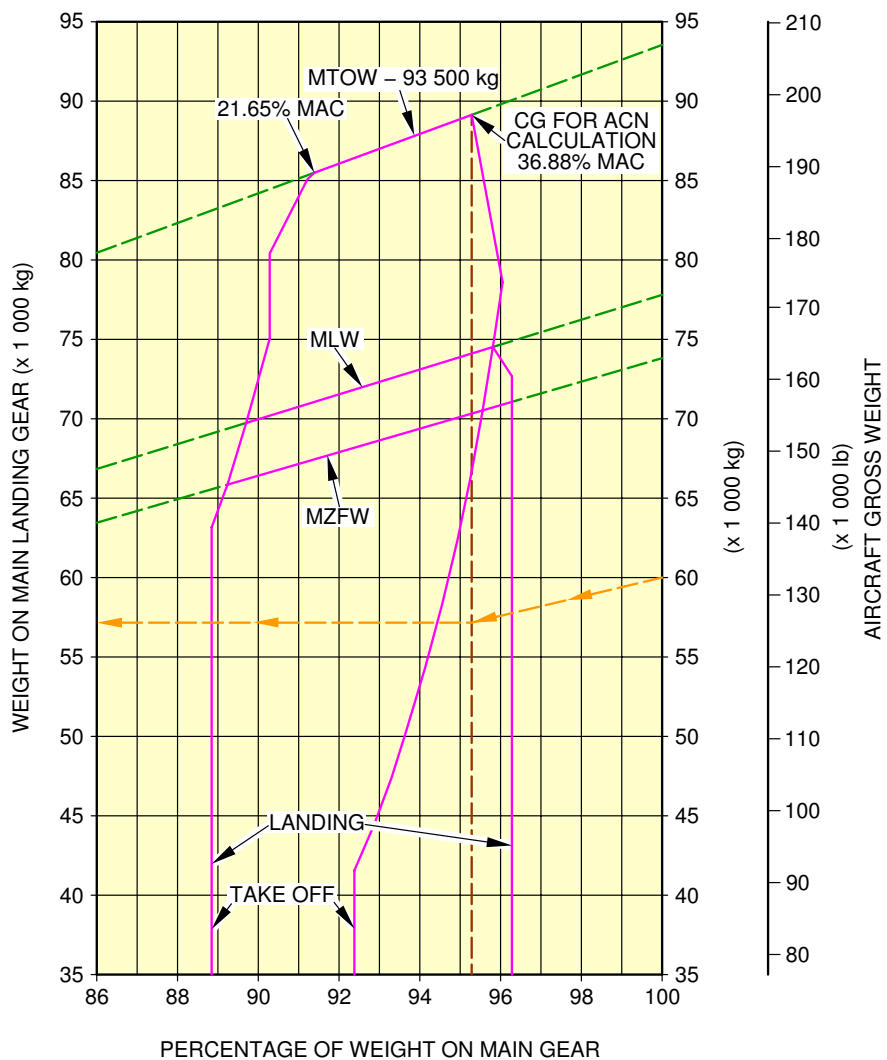
**ON A/C A321-200



N_AC_070400_1_0170101_01_02

Landing Gear Loading on Pavement
 WV009, MRW 78 400 kg, CG 39.21%
 FIGURE-7-4-0-991-017-A01

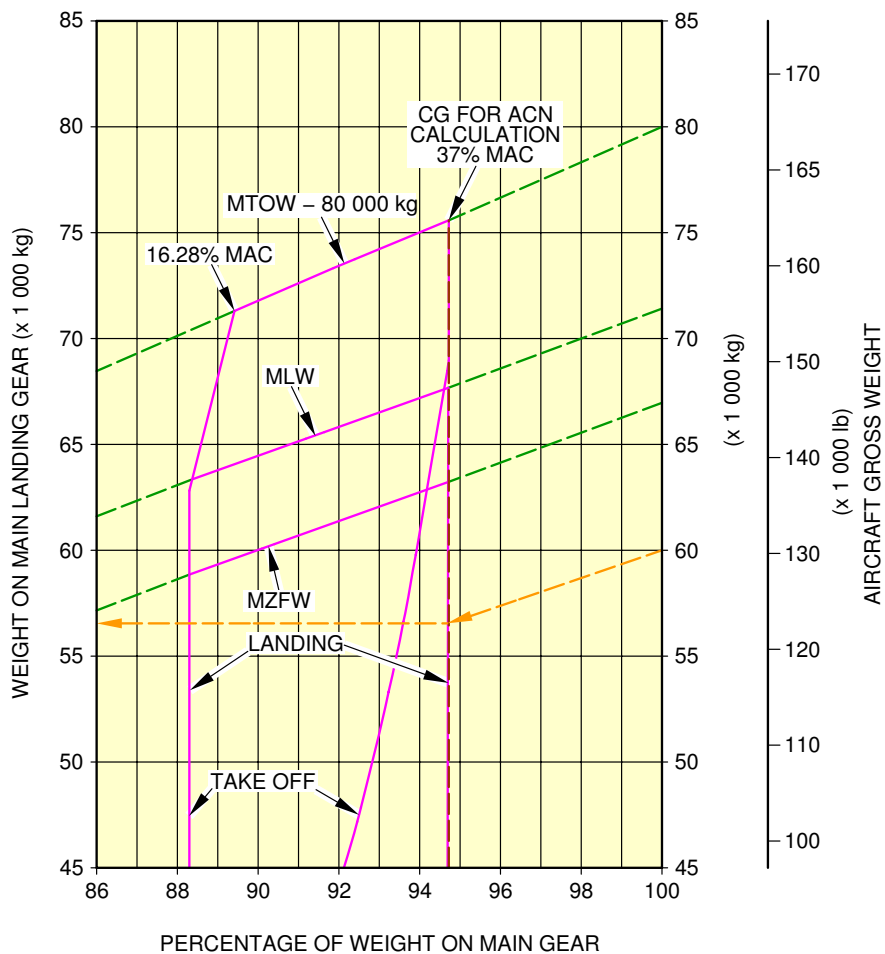
**ON A/C A321-200



N_AC_070400_1_0180101_01_00

Landing Gear Loading on Pavement
 WV011, MRW 93 900 kg, CG 36.88%
 FIGURE-7-4-0-991-018-A01

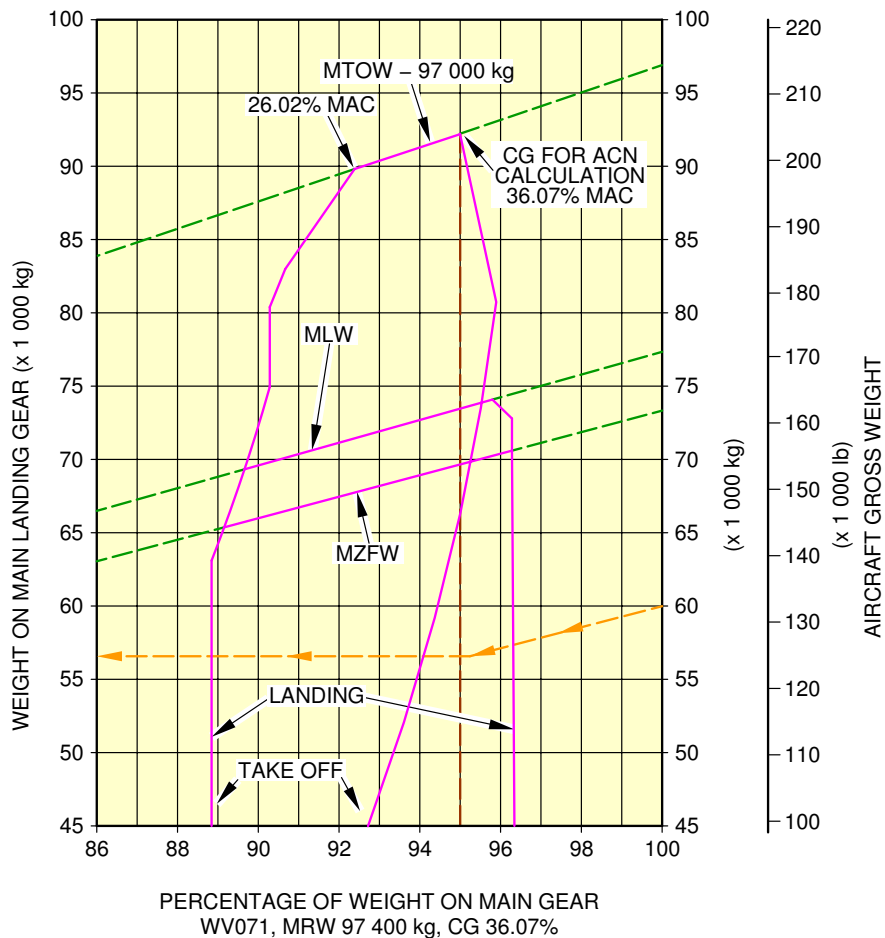
**ON A/C A321neo



N_AC_070400_1_0190101_01_03

Landing Gear Loading on Pavement
 WV070, MRW 80 400 kg, CG 37%
 FIGURE-7-4-0-991-019-A01

**ON A/C A321neo



N_AC_070400_1_0200101_01_01

Landing Gear Loading on Pavement
WV071, MRW 97 400 kg, CG 36.07%
FIGURE-7-4-0-991-020-A01

7-5-0 Flexible Pavement Requirements - U.S. Army Corps of Engineers Design Method****ON A/C A321-100 A321-200 A321neo**Flexible Pavement Requirements - US Army Corps of Engineers Design Method

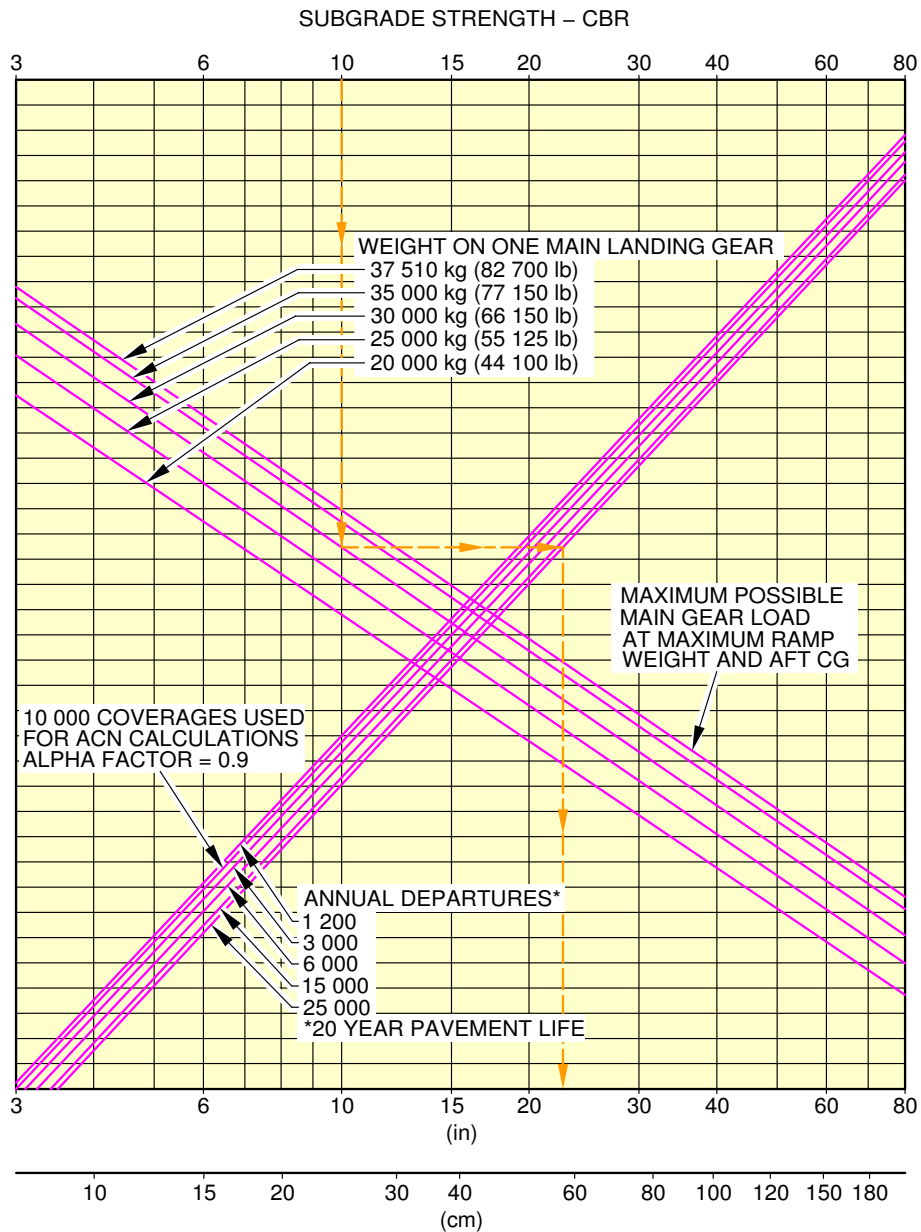
1. This section provides data about the flexible pavement requirements.
The flexible pavement requirement graphs are given at standard tire pressure for the weight variants producing (at the MRW and maximum aft CG) the lowest MLG load and the highest MLG load for each type of aircraft.
They are calculated with the US Army Corps of Engineers Design Method.
To find a flexible pavement thickness, you must know the Subgrade Strength (CBR), the annual departure level and the weight on one MLG.
The line that shows 10 000 coverages is used to calculate the Aircraft Classification Number (ACN).
The procedure that follows is used to develop flexible pavement design curves:
 - With the scale for pavement thickness at the bottom and the scale for CBR at the top, a random line is made to show 10 000 coverages,
 - A plot is then made of the incremental values of the weight on the MLG,
 - Annual departure lines are made based on the load lines of the weight on the MLG that is shown on the graph.

Example, see FIGURE 7-5-0-991-014-A, calculation of the thickness of the flexible pavement for MLG:

- An aircraft with a MRW of 78 400 kg (172 850 lb),
 - A "CBR" value of 10,
 - An annual departure level of 25 000,
 - The load on one MLG of 30 000 kg (66 150 lb).
- The required flexible pavement thickness is 57.4 cm (23 in).

NOTE : The CG in the figure title is the CG used for ACN calculation.

****ON A/C A321-100**



FLEXIBLE PAVEMENT THICKNESS

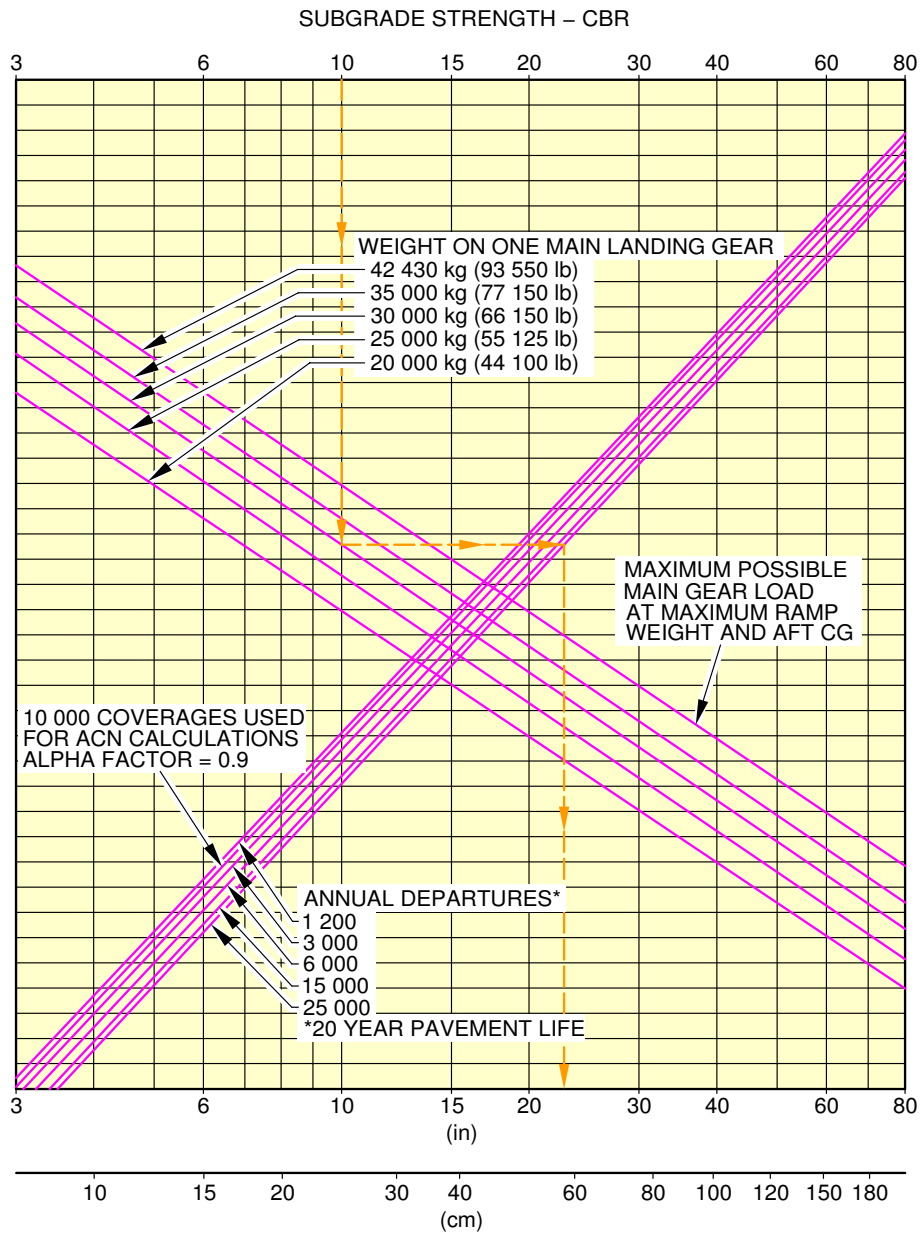
1 270x455R22 (49x18-22) TIRES

TIRE PRESSURE CONSTANT AT 12.8 bar (186 psi)

N_AC_070500_1_0140101_01_00

Flexible Pavement Requirements
WV004, MRW 78 400 kg, CG 41 %
FIGURE-7-5-0-991-014-A01

**ON A/C A321-100



FLEXIBLE PAVEMENT THICKNESS

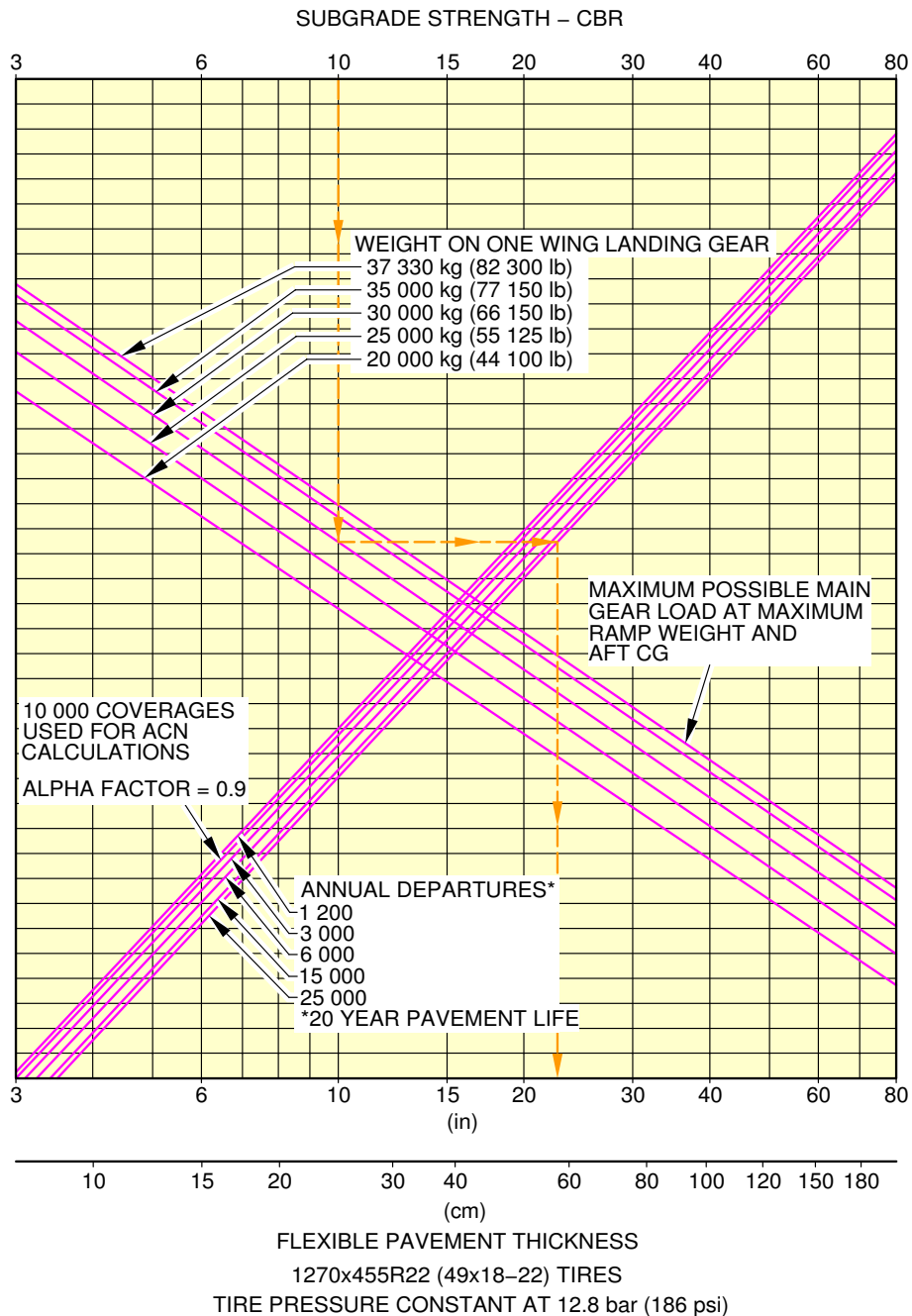
1 270x455R22 (49x18-22) TIRES

TIRE PRESSURE CONSTANT AT 14.6 bar (212 psi)

N_AC_070500_1_0150101_01_00

Flexible Pavement Requirements
 WV008, MRW 89 400 kg, CG 38 %
 FIGURE-7-5-0-991-015-A01

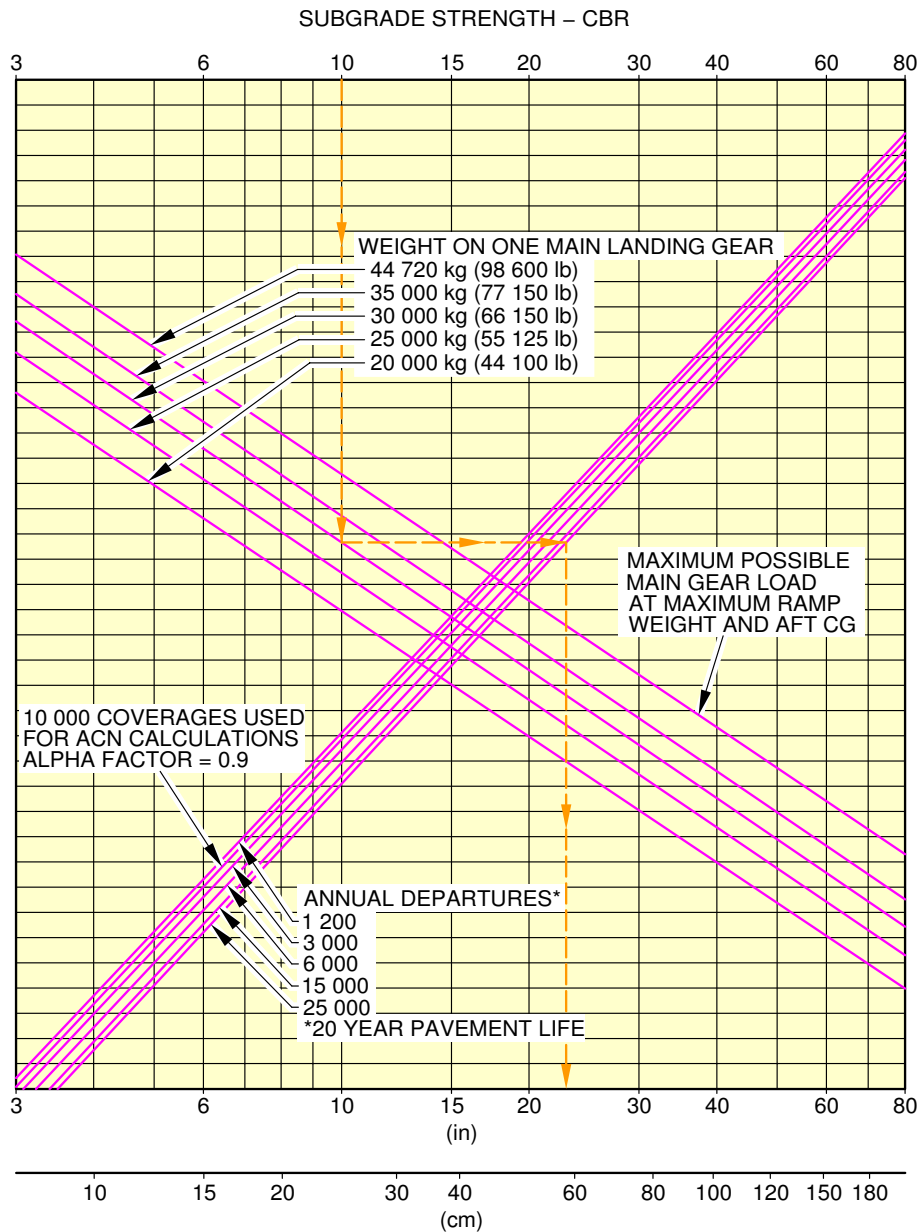
**ON A/C A321-200



N_AC_070500_1_0160101_01_02

Flexible Pavement Requirements
WV009, MRW 78 400 kg, CG 39.21 %
FIGURE-7-5-0-991-016-A01

**ON A/C A321-200



FLEXIBLE PAVEMENT THICKNESS

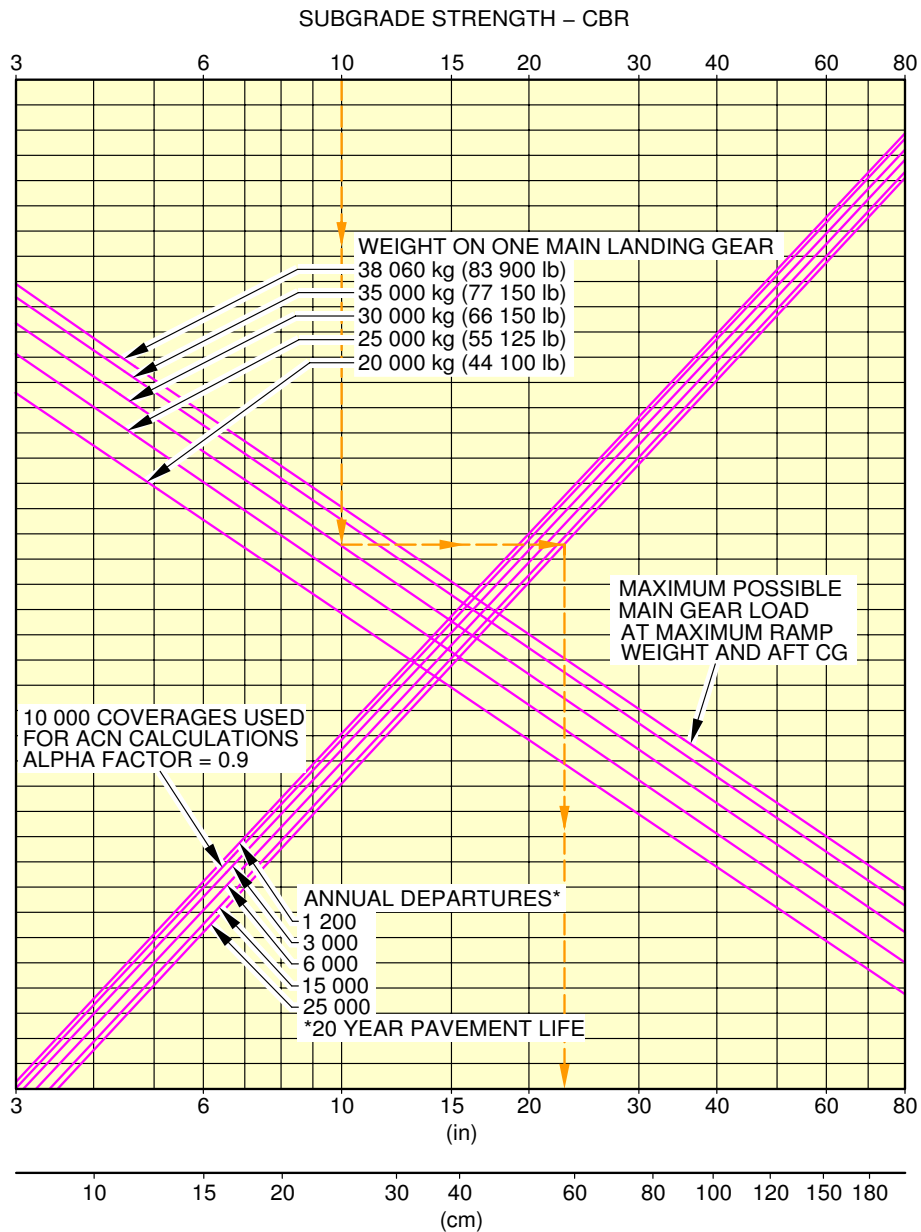
1 270x455R22 (49x18-22) TIRES

TIRE PRESSURE CONSTANT AT 15 bar (218 psi)

N_AC_070500_1_0170101_01_00

Flexible Pavement Requirements
 WV011, MRW 93 900 kg, CG 36.88 %
 FIGURE-7-5-0-991-017-A01

**ON A/C A321neo



FLEXIBLE PAVEMENT THICKNESS

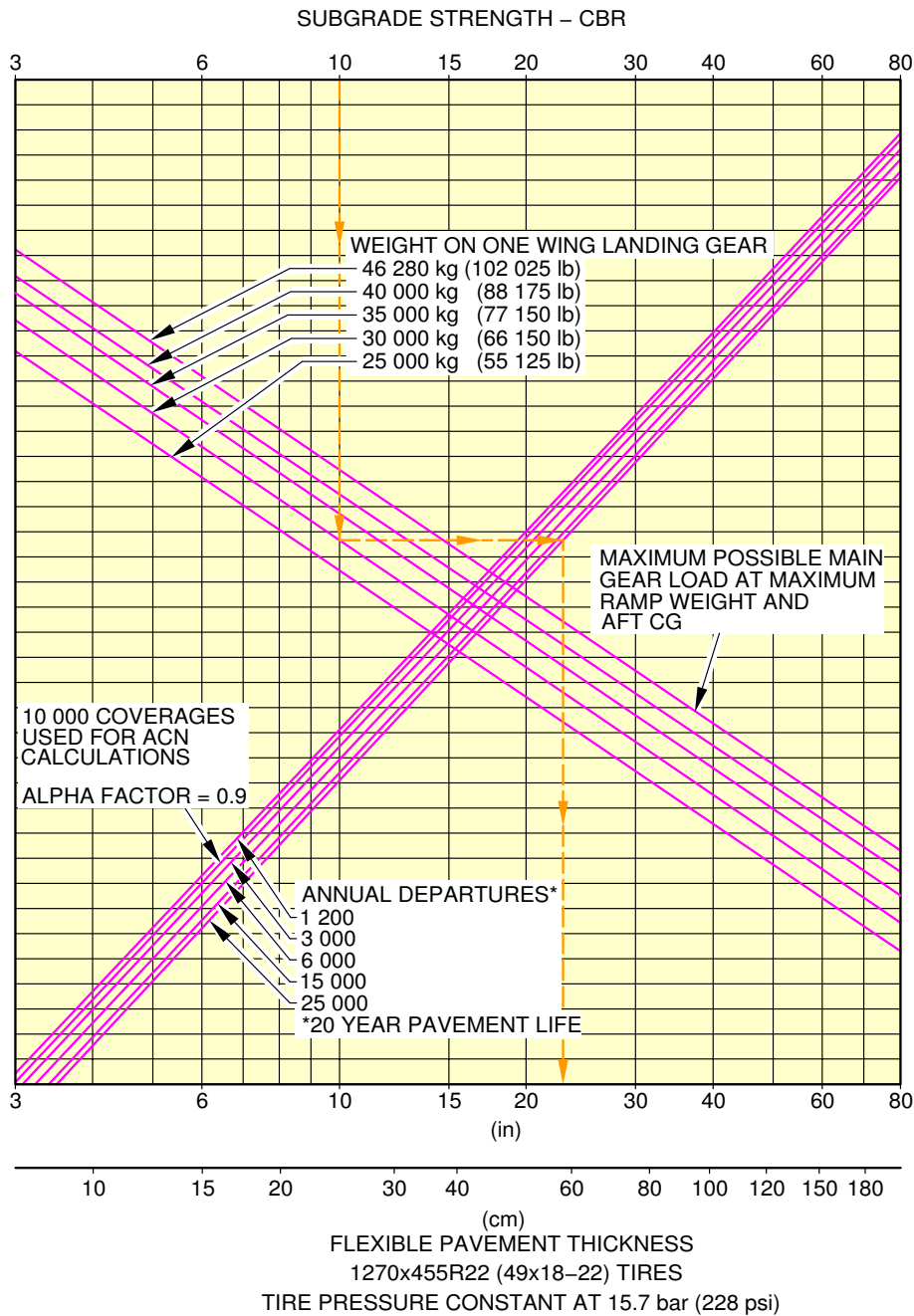
1270x455R22 (46x18-22) TIRES

TIRE PRESSURE CONSTANT AT 13.6 bar (197 psi)

N_AC_070500_1_0180101_01_02

Flexible Pavement Requirements
WV070, MRW 80 900 kg, CG 37 %
FIGURE-7-5-0-991-018-A01

**ON A/C A321neo



N_AC_070500_1_0190101_01_02

Flexible Pavement Requirements
WV071, MRW 97 400 kg, CG 36.07 %
FIGURE-7-5-0-991-019-A01

7-6-0 Flexible Pavement Requirements - LCN Conversion****ON A/C A321-100 A321-200 A321neo**Flexible Pavement Requirements - LCN Conversion

1. The Load Classification Number (LCN) curves are no longer provided in section 07-06-00 since the LCN system for reporting pavement strength is obsolete, having been replaced by the ICAO recommended ACN/PCN system in 1983.
For questions regarding the LCN system, contact Airbus.

7-7-0 Rigid Pavement Requirements - Portland Cement Association Design Method****ON A/C A321-100 A321-200 A321neo**Rigid Pavement Requirements - Portland Cement Association Design Method

1. This section provides data about the rigid pavement requirements for the PCA (Portland Cement Association) design method.
The rigid pavement requirement graphs are given at standard tire pressure for the weight variants producing (at the MRW and maximum aft CG) the lowest MLG load and the highest MLG load for each A/C type.
They are calculated with the PCA design method.
To find a rigid pavement thickness, you must know the Subgrade Modulus (k), the permitted working stress and the weight on one MLG.
The procedure that follows is used to develop rigid pavement design curves:
 - With the scale for pavement thickness on the left and the scale for permitted working stress on the right, a random load line is made. This represents the MLG maximum weight to be shown,
 - A plot is then made of all values of the subgrade modulus (k values),
 - More load lines for the incremental values of the weight on the MLG are made based on the curve for $k = 150 \text{ MN/m}^3$, which is already shown on the graph.

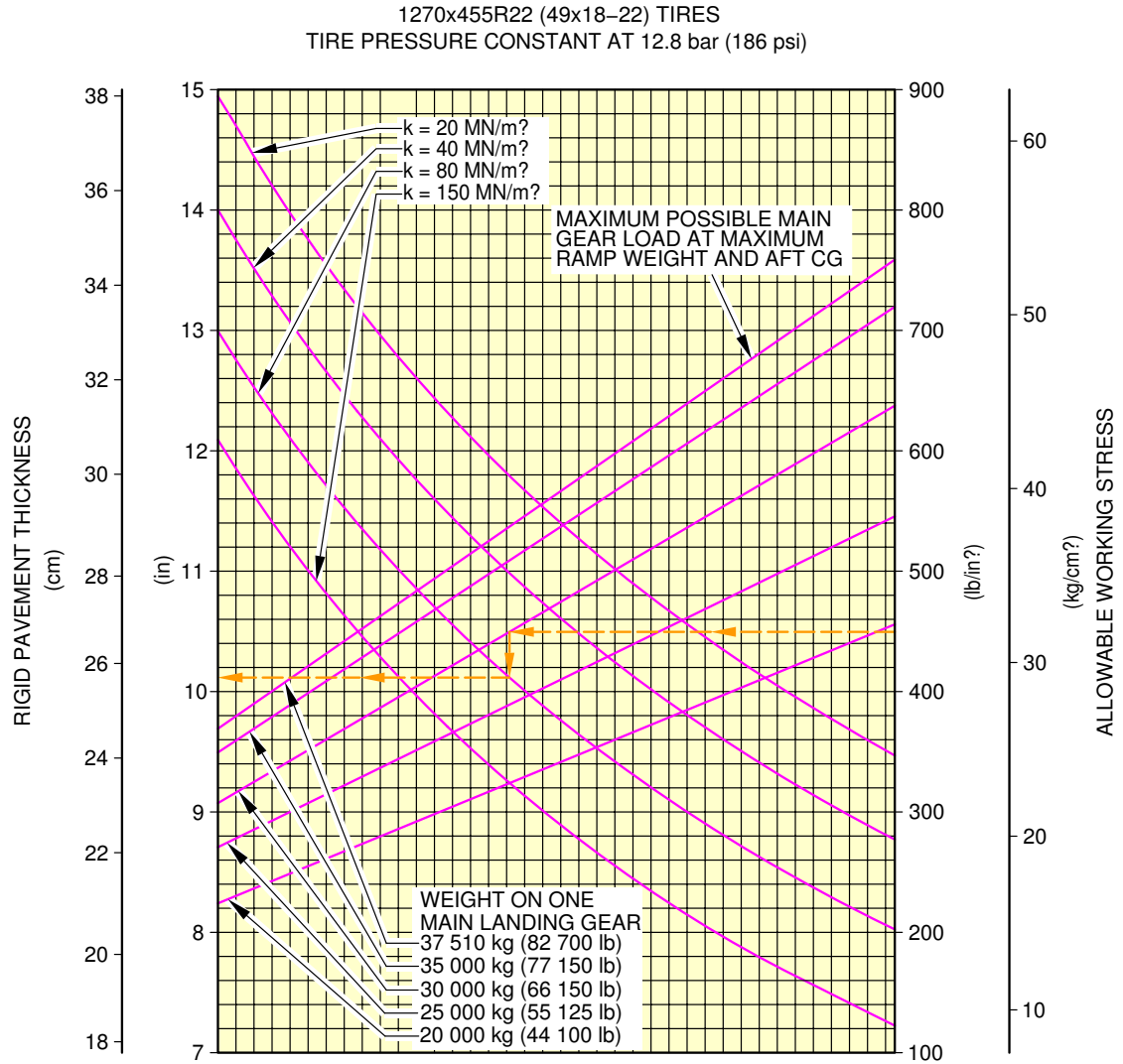
Example, see FIGURE 7-7-0-991-016-A, calculation of the thickness of the rigid pavement for the MLG:

- An aircraft with a MRW of 78 400 kg (172 850 lb),
- A k value of 80 MN/m^3 (300 lbf/in^3),
- A permitted working stress of 31.64 kg/cm^2 (450 lb/in^2),
- The load on one MLG is 30 000 kg (66 150 lb).

The required rigid pavement thickness is 257 mm (10 in).

NOTE : The CG in the figure title is the CG used for ACN calculation.

**ON A/C A321-100



NOTE:
THE VALUES OBTAINED BY USING THE MAXIMUM LOAD REFERENCE LINE AND ANY VALUES FOR k ARE EXACT.
FOR LOADS LESS THAN MAXIMUM, THE CURVES ARE EXACT FOR k = 80 MN/m² BUT DEVIATE SLIGHTLY FOR ANY OTHER VALUES OF k.

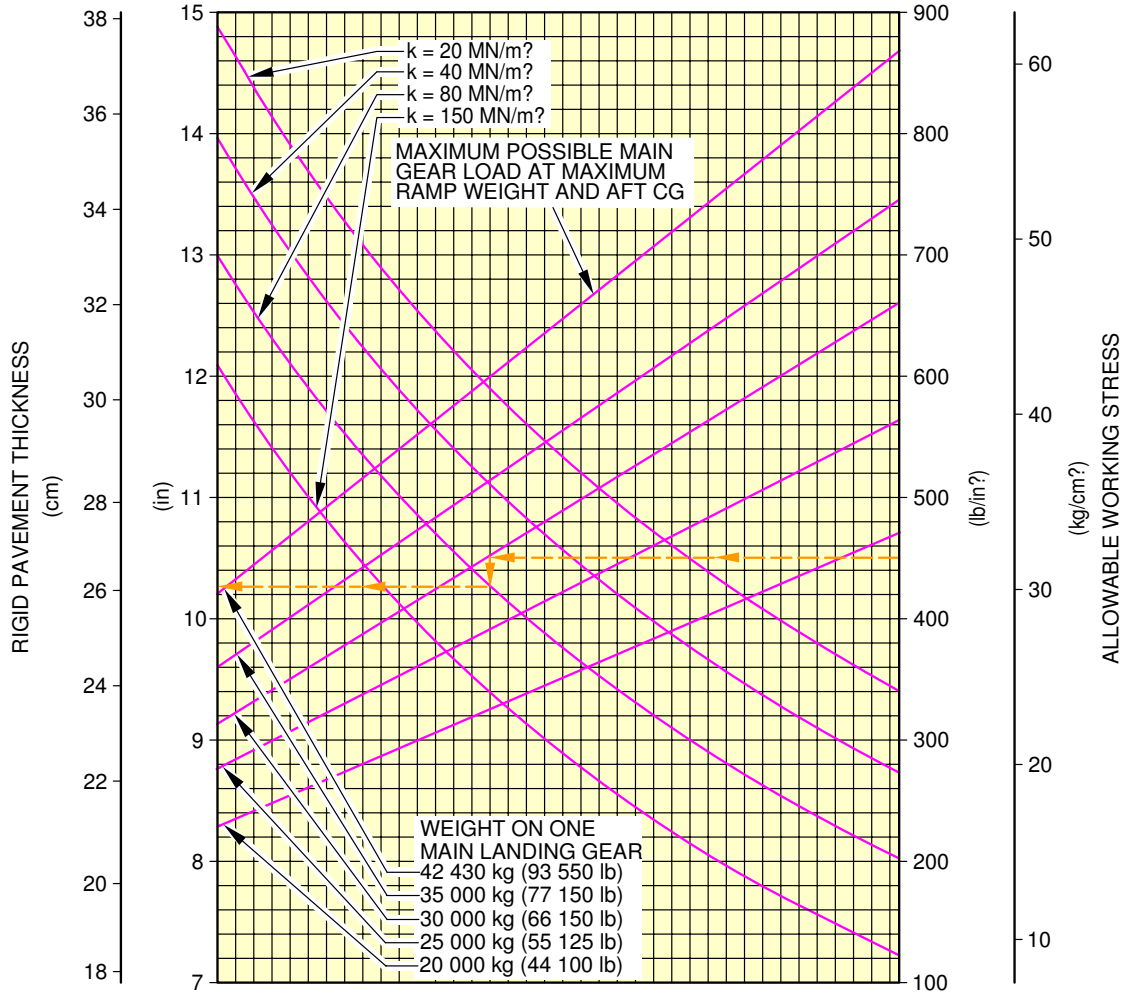
REFERENCE:
"DESIGN OF CONCRETE AIRPORT PAVEMENTS" AND "COMPUTER PROGRAM FOR AIRPORT PAVEMENT DESIGN - PROGRAM PDILB" PORTLAND CEMENT ASSOCIATION.

N_AC_070700_1_0160101_01_02

Rigid Pavement Requirements
WV004, MRW 78 400 kg, CG 41 %
FIGURE-7-7-0-991-016-A01

****ON A/C A321-100**

1270x455R22 (49x18-22) TIRES
TIRE PRESSURE CONSTANT AT 14.6 bar (212 psi)



NOTE:
THE VALUES OBTAINED BY USING THE MAXIMUM LOAD REFERENCE LINE AND ANY VALUES FOR k ARE EXACT.
FOR LOADS LESS THAN MAXIMUM, THE CURVES ARE EXACT FOR k = 80 MN/m² BUT DEVIATE SLIGHTLY FOR ANY OTHER VALUES OF k.

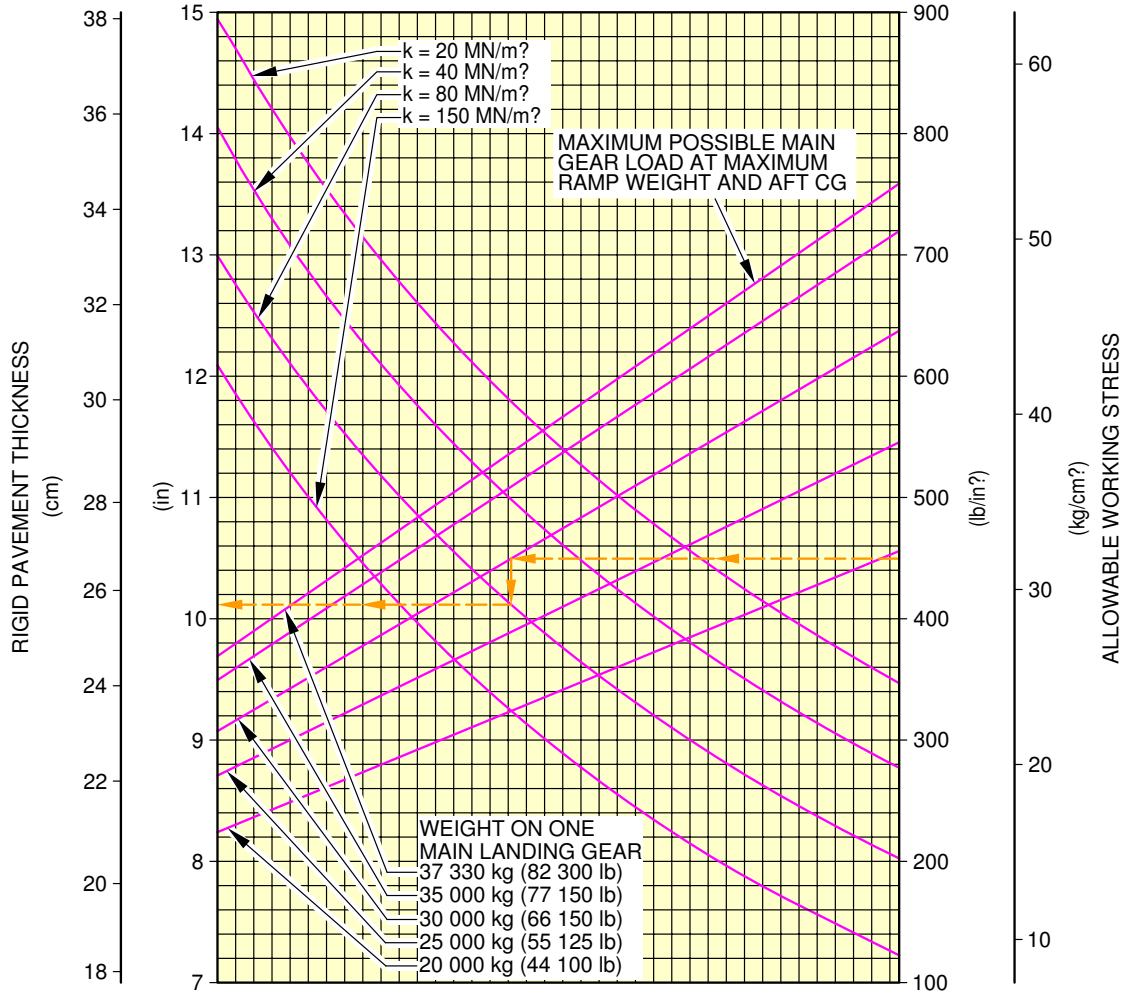
REFERENCE:
"DESIGN OF CONCRETE AIRPORT PAVEMENTS" AND "COMPUTER PROGRAM FOR AIRPORT PAVEMENT DESIGN - PROGRAM PDILB" PORTLAND CEMENT ASSOCIATION.

N_AC_070700_1_0170101_01_02

Rigid Pavement Requirements
WV008, MRW 89 400 kg, CG 38 %
FIGURE-7-7-0-991-017-A01

****ON A/C A321-200**

1270x455R22 (49x18-22) TIRES
TIRE PRESSURE CONSTANT AT 12.8 bar (186 psi)



NOTE:
THE VALUES OBTAINED BY USING THE MAXIMUM LOAD REFERENCE LINE AND ANY VALUES FOR k ARE EXACT.
FOR LOADS LESS THAN MAXIMUM, THE CURVES ARE EXACT FOR k = 80 MN/m² BUT DEVIATE SLIGHTLY FOR ANY OTHER VALUES OF k.

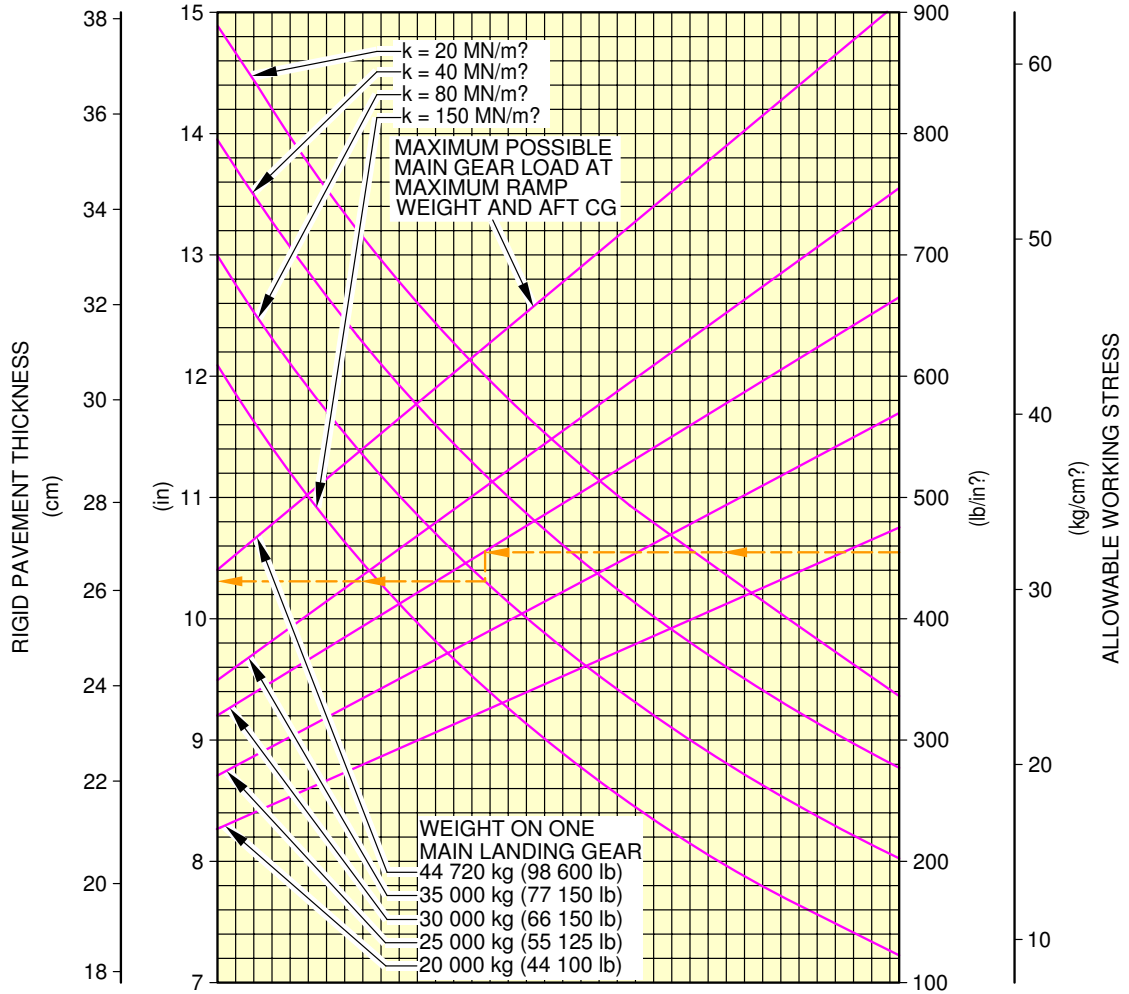
REFERENCE:
"DESIGN OF CONCRETE AIRPORT PAVEMENTS" AND "COMPUTER PROGRAM FOR AIRPORT PAVEMENT DESIGN - PROGRAM PDILB" PORTLAND CEMENT ASSOCIATION.

N_AC_070700_1_0180101_01_02

Rigid Pavement Requirements
WV009, MRW 78 400 kg, CG 39.21%
FIGURE-7-7-0-991-018-A01

**ON A/C A321-200

1270x455R22 (49x18-22) TIRES
TIRE PRESSURE CONSTANT AT 15 bar (218 psi)



NOTE:
THE VALUES OBTAINED BY USING THE MAXIMUM LOAD REFERENCE LINE AND ANY VALUES FOR k ARE EXACT.
FOR LOADS LESS THAN MAXIMUM, THE CURVES ARE EXACT FOR k = 80 MN/m² BUT DEVIATE SLIGHTLY FOR ANY OTHER VALUES OF k.

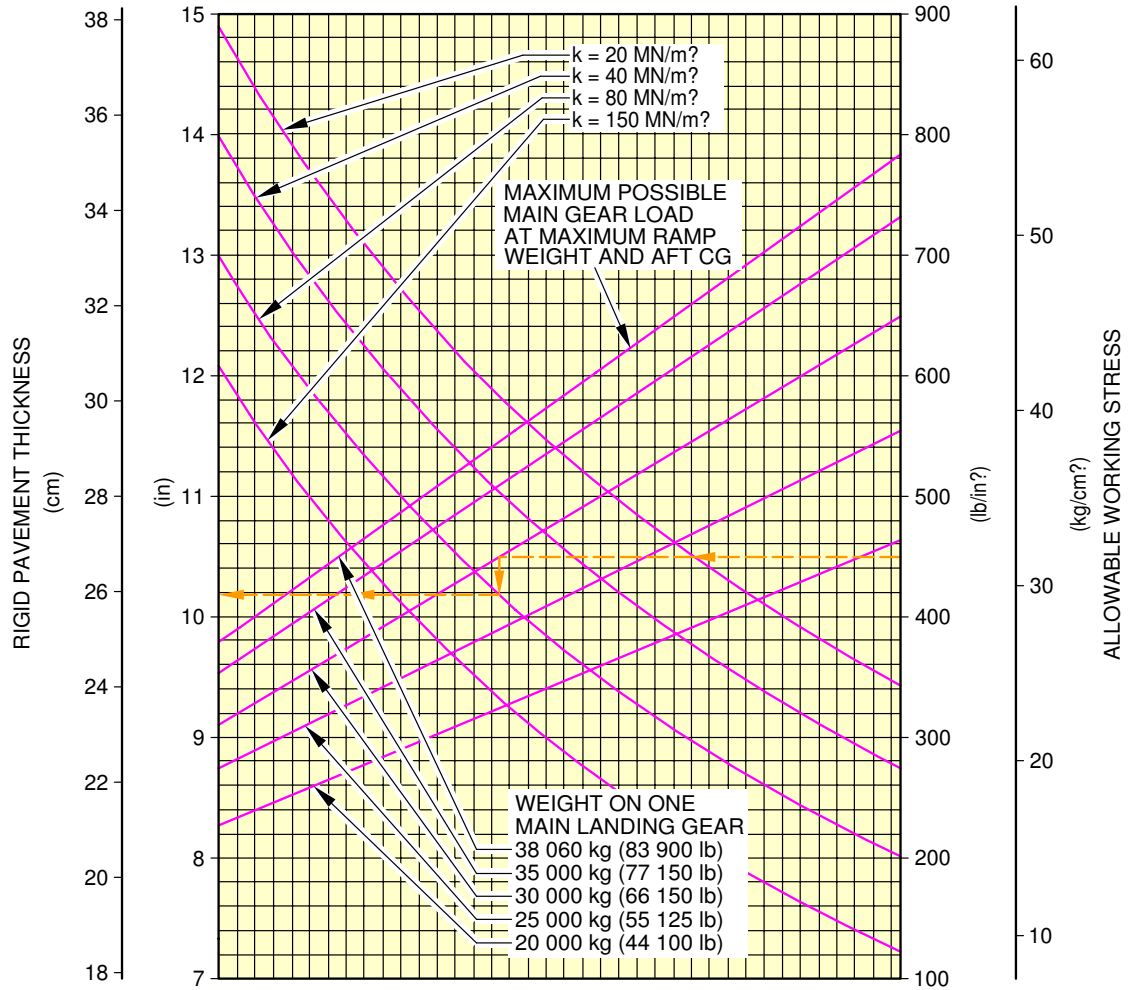
REFERENCE:
"DESIGN OF CONCRETE AIRPORT PAVEMENTS" AND "COMPUTER PROGRAM FOR AIRPORT PAVEMENT DESIGN - PROGRAM PDILB" PORTLAND CEMENT ASSOCIATION.

N_AC_070700_1_0190101_01_02

Rigid Pavement Requirements
WV011, MRW 93 900 kg, CG 36.88 %
FIGURE-7-7-0-991-019-A01

**ON A/C A321neo

1270x455R22 (49x18-22) TIRES
TIRE PRESSURE CONSTANT AT 13.6 bar (197 psi)



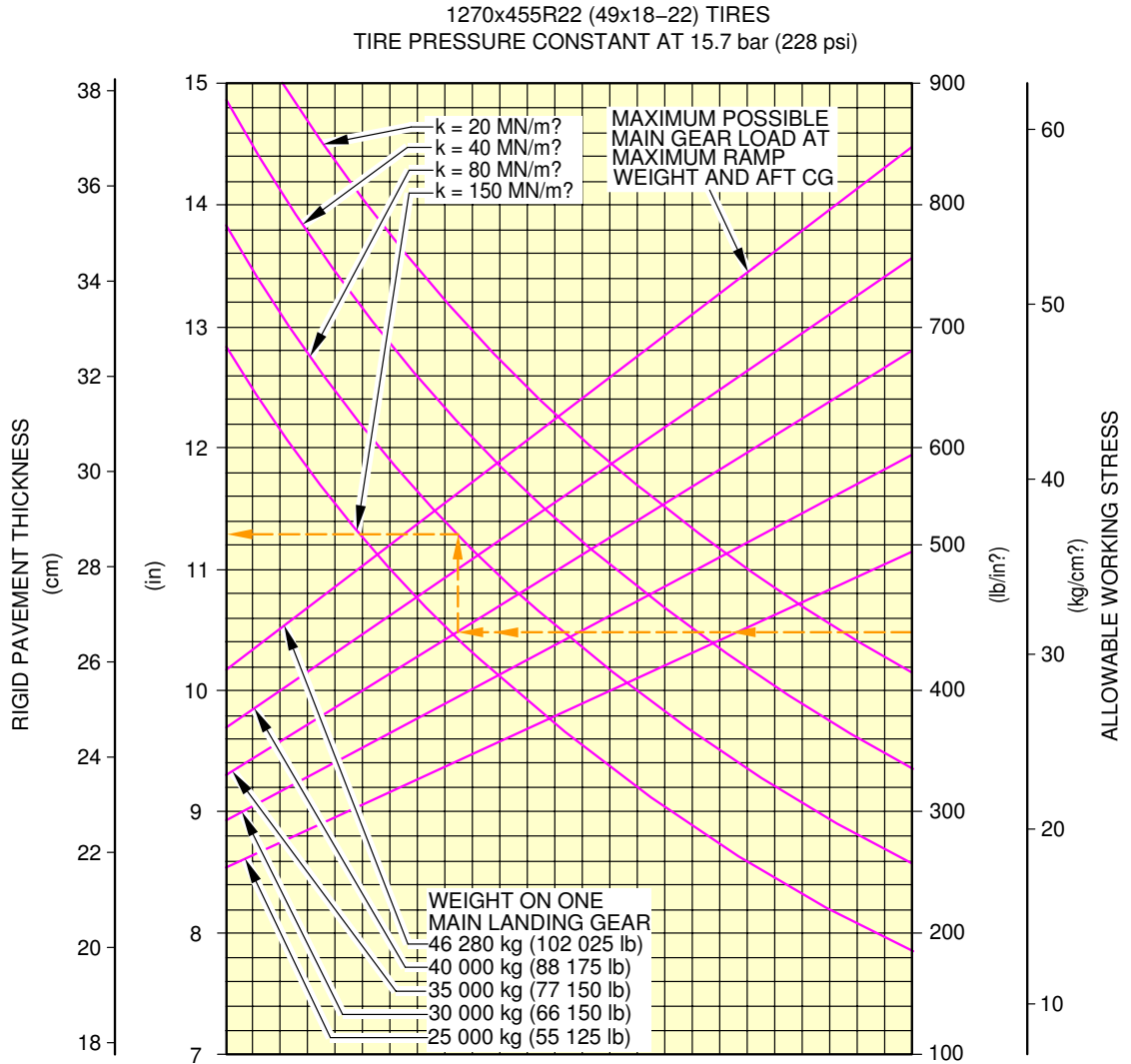
NOTE:
THE VALUES OBTAINED BY USING THE MAXIMUM LOAD REFERENCE LINE AND ANY VALUES FOR k ARE EXACT.
FOR LOADS LESS THAN MAXIMUM, THE CURVES ARE EXACT FOR $k = 80 \text{ MN/m}^2$ BUT DEVIATE SLIGHTLY FOR ANY OTHER VALUES OF k .

REFERENCE:
"DESIGN OF CONCRETE AIRPORT PAVEMENTS" AND "COMPUTER PROGRAM FOR AIRPORT PAVEMENT DESIGN - PROGRAM PDILB" PORTLAND CEMENT ASSOCIATION.

N_AC_070700_1_0200101_01_02

Rigid Pavement Requirements
WV070, MRW 80 400 kg, CG 37 %
FIGURE-7-7-0-991-020-A01

**ON A/C A321neo



N_AC_070700_1_0210101_01_02

Rigid Pavement Requirements
WV071, MRW 97 400 kg, CG 36.07 %
FIGURE-7-7-0-991-021-A01

7-8-0 Rigid Pavement Requirements - LCN Conversion****ON A/C A321-100 A321-200 A321neo**Rigid Pavement Requirements - LCN Conversion

1. The Load Classification Number (LCN) curves are no longer provided in section 07-08-00 since the LCN system for reporting pavement strength is obsolete, having been replaced by the ICAO recommended ACN/PCN system in 1983.
For questions regarding the LCN system, contact Airbus.

7-9-0 ACN/PCN Reporting System - Flexible and Rigid Pavements

****ON A/C A321-100 A321-200 A321neo**

Aircraft Classification Number - Flexible and Rigid Pavements

1. This section provides data about the Aircraft Classification Number (ACN) for an aircraft gross weight in relation to a subgrade strength value for flexible and rigid pavement.
The flexible and rigid pavement requirement graphs are given at standard tire pressure for the weight variants producing (at the MRW and maximum aft CG) the lowest MLG load and the highest MLG load for each type of aircraft.
To find the ACN of an aircraft on flexible and rigid pavement, you must know the aircraft gross weight and the subgrade strength.

NOTE : An aircraft with an ACN equal to or less than the reported PCN can operate on that pavement, subject to any limitation on the tire pressure.
(Ref: ICAO Aerodrome Design Manual, Part 3, Chapter 1, Second Edition 1983).

Example, see FIGURE 7-9-0-991-020-A (sheet 1), calculation of the ACN for flexible pavement for:

- An aircraft with a MRW of 78 400 kg (172 850 lb),
- An aircraft gross weight of 65 000 kg (143 300 lb),
- A low subgrade strength (code C).

The ACN for flexible pavement is 38.

Example, see FIGURE 7-9-0-991-020-A (sheet 2), calculation of the ACN for rigid pavement for:

- An aircraft with a MRW of 78 400 kg (172 850 lb),
- An aircraft gross weight of 65 000 kg (143 300 lb),
- A medium subgrade strength (code B).

The ACN for rigid pavement is 40.

2. Aircraft Classification Number - ACN table

The tables in FIGURE 7-9-0-991-019-A, FIGURE 7-9-0-991-022-A and FIGURE 7-9-0-991-025-A provide ACN data in tabular format similar to the one used by ICAO in the "Aerodrome Design Manual Part 3, Pavements - Edition 1983" for all the operational weight variants of the aircraft. As an approximation, use a linear interpolation in order to get the ACN at the required operating weight using the following equation:

- $ACN = ACN \text{ min} + (ACN \text{ max} - ACN \text{ min}) \times (\text{Operating weight} - 47\,000 \text{ kg}) / (\text{MRW} - 47\,000 \text{ kg})$

As an approximation, also use a linear interpolation in order to get the aircraft weight at the pavement PCN using the following equation:

- $\text{Operating weight} = 47\,000 \text{ kg} + (\text{MRW} - 47\,000 \text{ kg}) \times (\text{PCN} - ACN \text{ min}) / (ACN \text{ max} - ACN \text{ min})$

With ACN max: ACN calculated at the MRW in the table and with ACN min: ACN calculated at 47 000 kg.



AIRCRAFT CHARACTERISTICS - AIRPORT AND MAINTENANCE PLANNING

NOTE : The CG in the figure title is the CG used for ACN calculation.

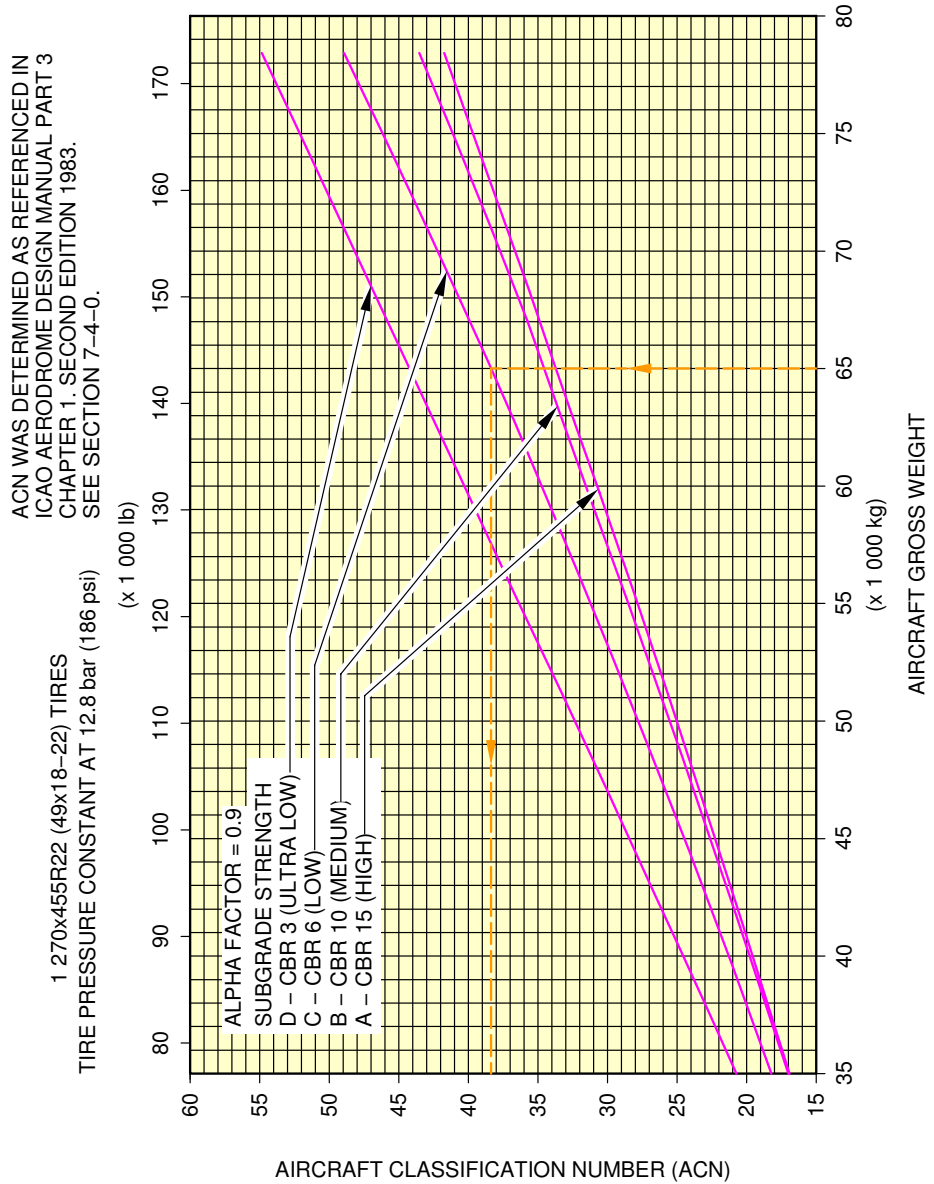
**ON A/C A321-100

WEIGHT VARIANT	ALL UP MASS (kg)	LOAD ON ONE MAIN GEAR LEG (%)	TIRE PRESSURE (MPa)	ACN FOR RIGID PAVEMENT SUBGRADES – MN/m?				ACN FOR FLEXIBLE PAVEMENT SUBGRADES – CBR			
				High 150	Medium 80	Low 40	Ultra-low 20	High 15	Medium 10	Low 6	Ultra-low 3
A321-100 WV000	83 400	47.8	1.36	51	54	57	59	45	47	53	59
	47 000	47.8		26	28	29	31	23	24	26	30
A321-100 WV002	83 400	47.8	1.36	51	54	57	59	45	47	53	59
	47 000	47.8		26	28	29	31	23	24	26	30
A321-100 WV003	85 400	47.9	1.39	53	56	59	61	47	49	55	60
	47 000	47.8		26	28	29	31	23	24	26	30
A321-100 WV004	78 400	47.8	1.28	47	50	52	54	42	44	49	55
	47 000	47.8		25	27	29	30	23	24	26	30
A321-100 WV005	83 400	47.8	1.36	51	54	57	59	45	47	53	59
	47 000	47.8		26	28	29	31	23	24	26	30
A321-100 WV006	78 400	47.8	1.28	47	50	52	54	42	44	49	55
	47 000	47.8		25	27	29	30	23	24	26	30
A321-100 WV007	80 400	47.8	1.36	49	52	54	57	43	45	51	56
	47 000	47.8		26	28	29	31	23	24	26	30
A321-100 WV008	89 400	47.5	1.46	56	59	62	64	49	52	57	63
	47 000	47.4		26	28	29	31	23	24	26	30

N_AC_070900_1_0190101_01_01

Aircraft Classification Number
ACN Table
FIGURE-7-9-0-991-019-A01

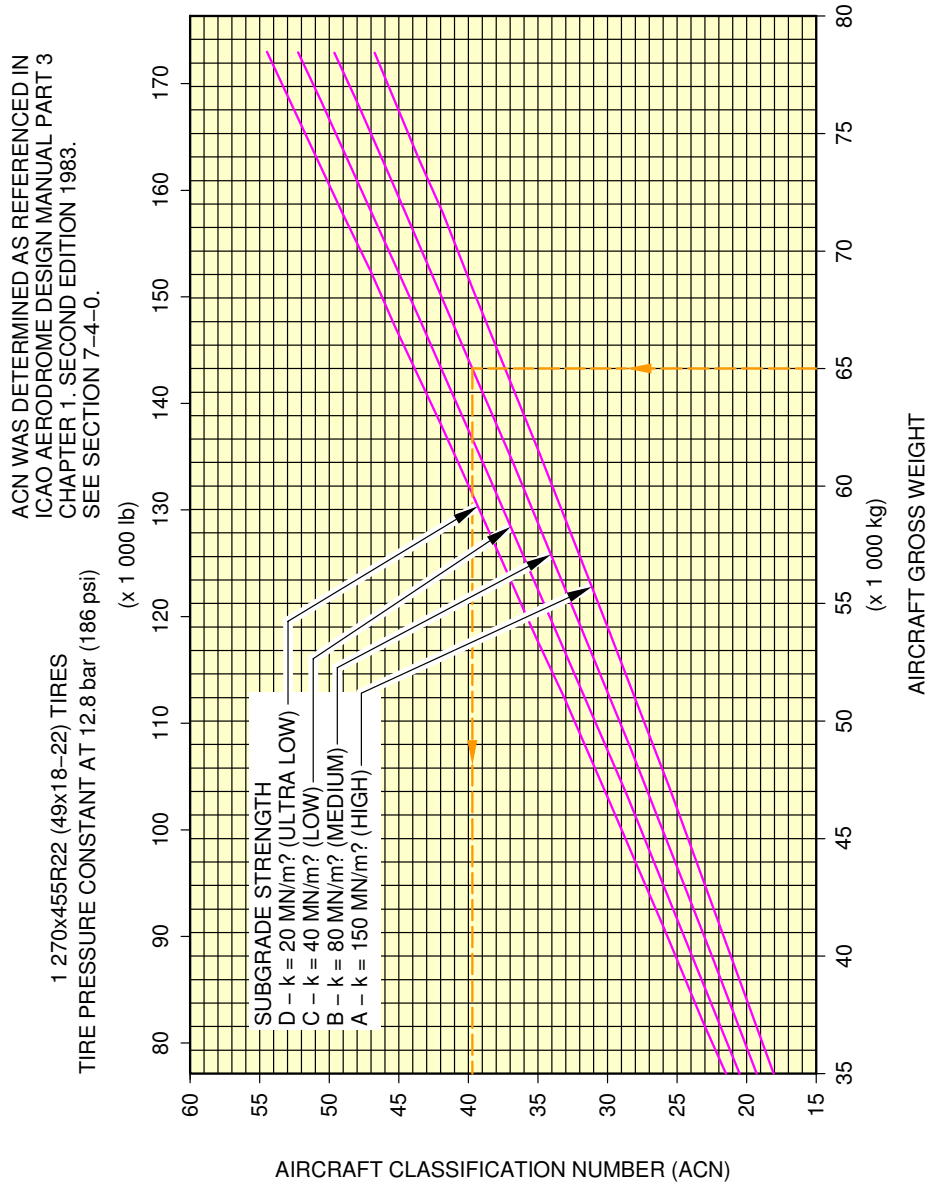
****ON A/C A321-100**



N_AC_070900_1_0200101_01_00

Aircraft Classification Number
Flexible Pavement - WV004, MRW 78 400 kg, CG 41 % (Sheet 1 of 2)
FIGURE-7-9-0-991-020-A01

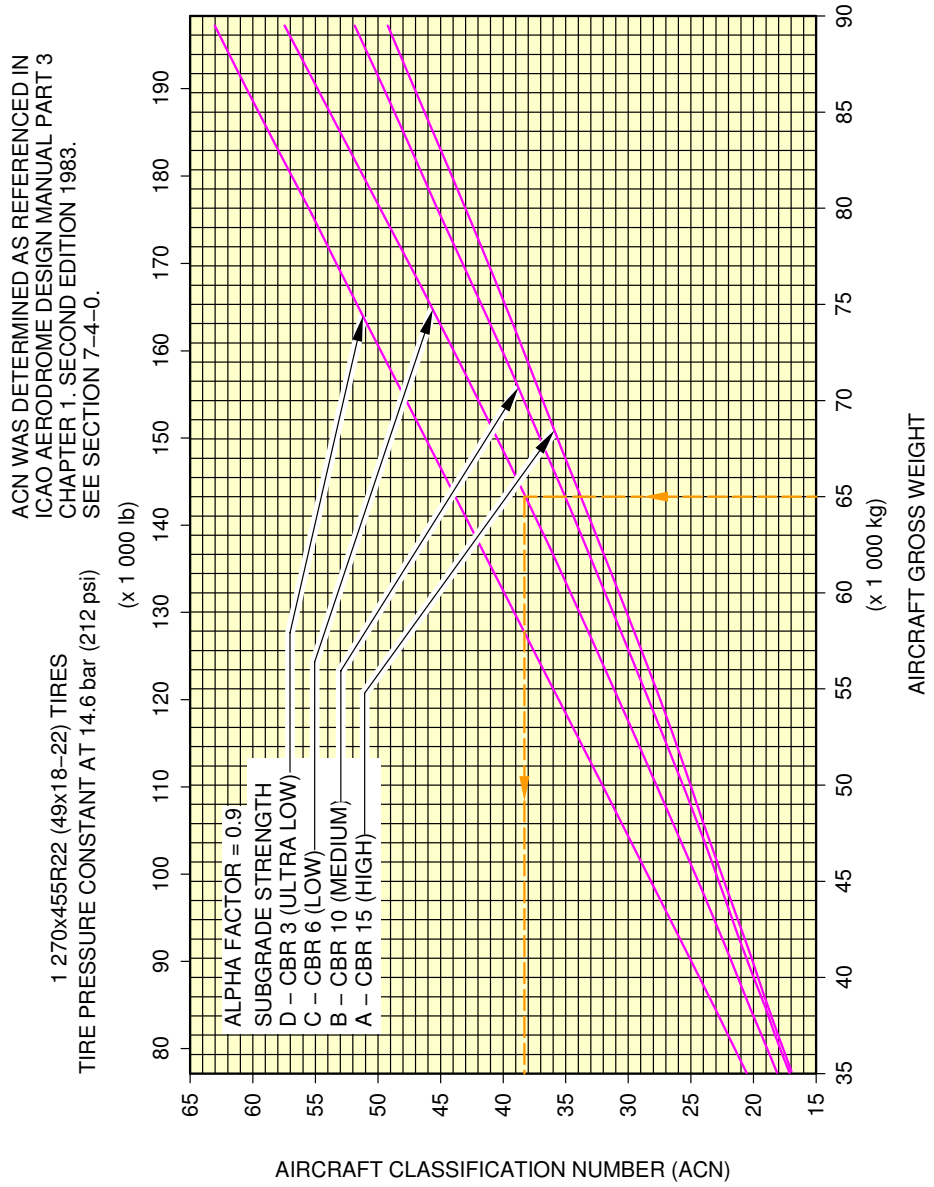
**ON A/C A321-100



N_AC_070900_1_0200102_01_00

Aircraft Classification Number
Rigid Pavement - WV004, MRW 78 400 kg, CG 41 % (Sheet 2 of 2)
FIGURE-7-9-0-991-020-A01

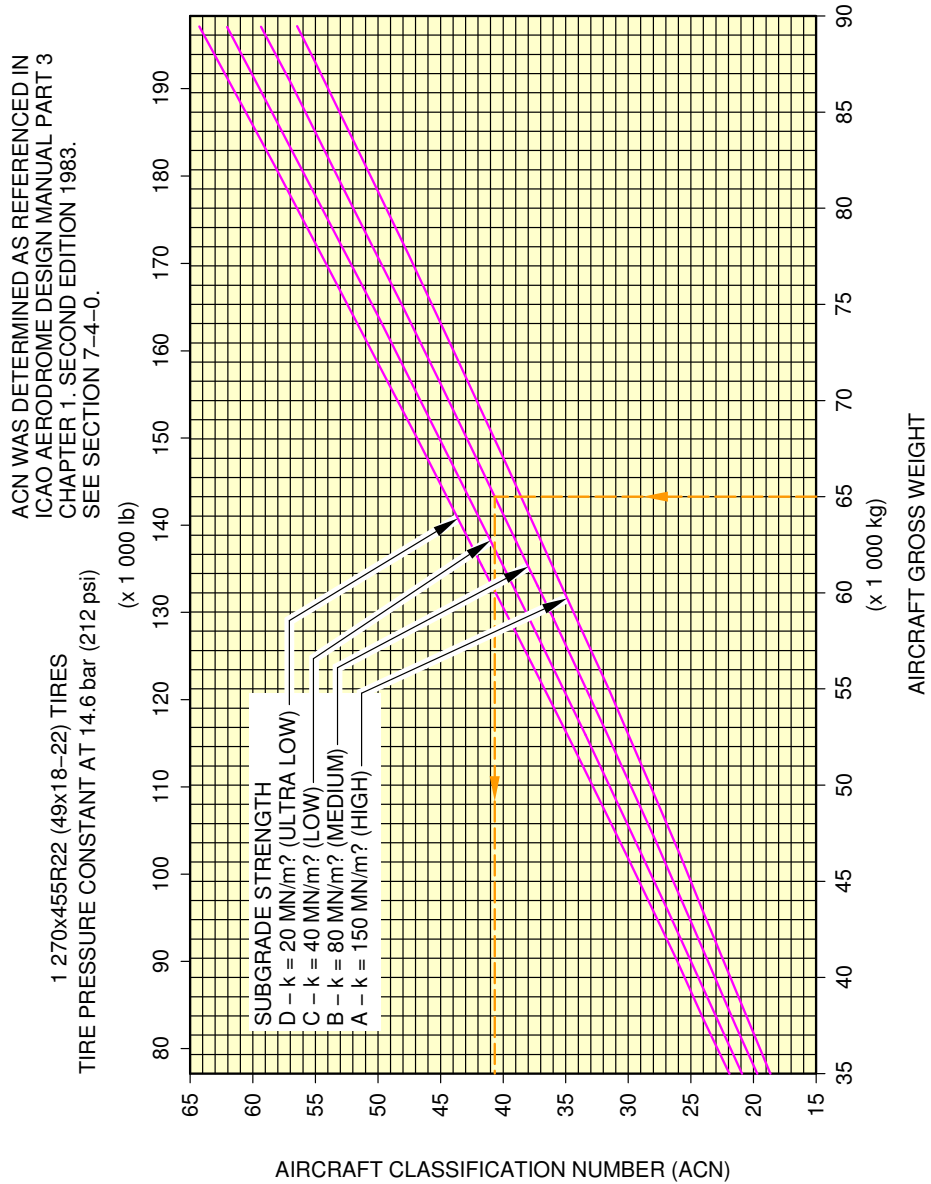
****ON A/C A321-100**



N_AC_070900_1_0210101_01_00

Aircraft Classification Number
Flexible Pavement - WV008, MRW 89 400 kg, CG 38 % (Sheet 1 of 2)
FIGURE-7-9-0-991-021-A01

**ON A/C A321-100



N_AC_070900_1_0210102_01_00

Aircraft Classification Number
Rigid Pavement - WV008, MRW 89 400 kg, CG 38 % (Sheet 2 of 2)
FIGURE-7-9-0-991-021-A01

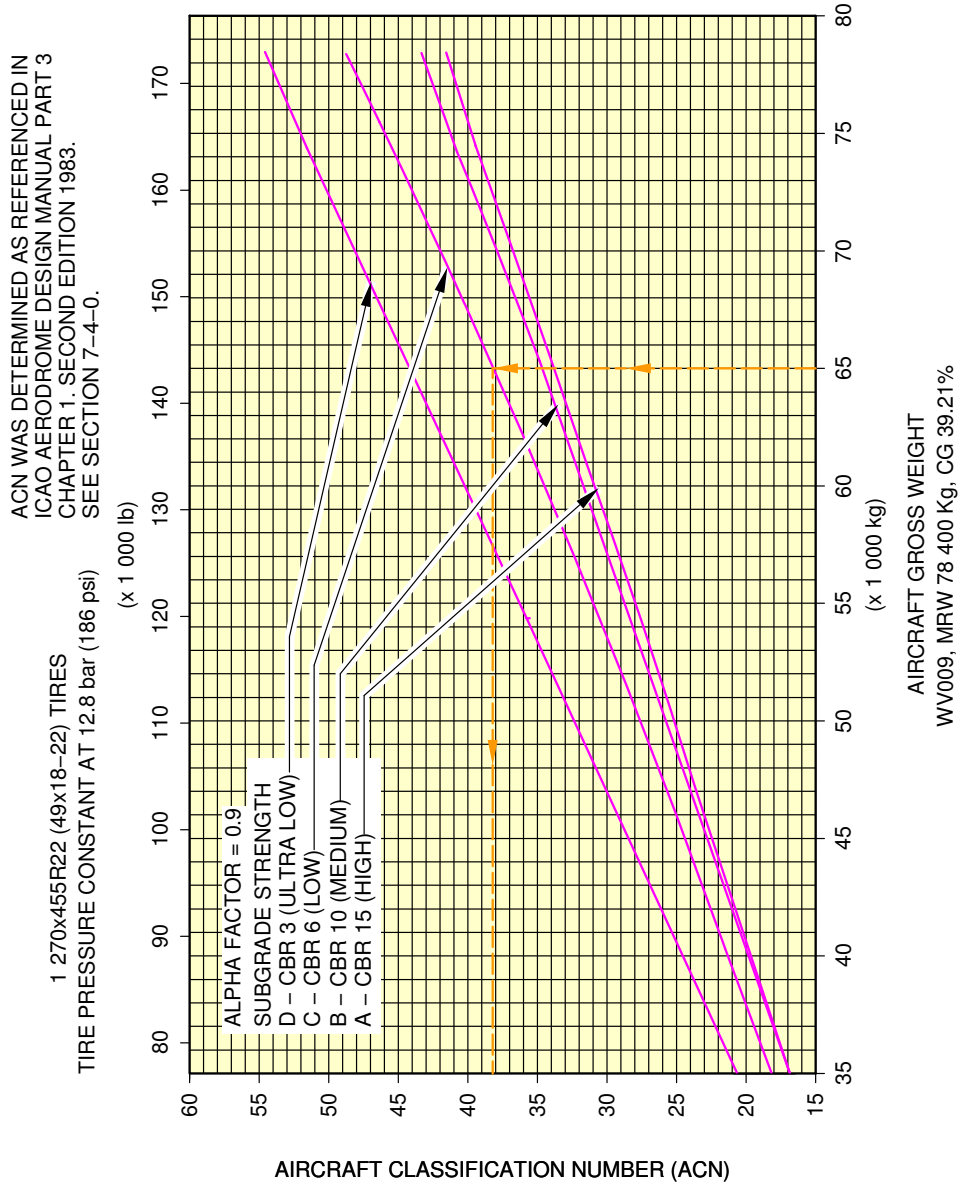
**ON A/C A321-200

WEIGHT VARIANT	ALL UP MASS (kg)	LOAD ON ONE MAIN GEAR LEG (%)	TIRE PRESSURE (MPa)	ACN FOR RIGID PAVEMENT SUBGRADES – MN/m ²				ACN FOR FLEXIBLE PAVEMENT SUBGRADES – CBR			
				High 150	Medium 80	Low 40	Ultra-low 20	High 15	Medium 10	Low 6	Ultra-low 3
A321-200 WV000	89 400	47.8	1.46	57	60	62	65	50	52	58	64
	47 000	47.8		27	28	30	31	24	24	26	30
A321-200 WV001	93 400	47.6	1.50	60	63	66	68	52	55	61	67
	47 000	47.6		27	28	30	31	24	24	26	30
A321-200 WV002	89 400	47.8	1.46	57	60	62	65	50	52	58	64
	47 000	47.8		27	28	30	31	24	24	26	30
A321-200 WV003	91 400	47.7	1.50	59	62	64	67	51	54	60	65
	47 000	47.7		27	28	30	31	24	24	26	30
A321-200 WV004	87 400	47.8	1.46	55	58	61	63	48	51	56	62
	47 000	47.8		27	28	30	31	24	24	26	30
A321-200 WV005	85 400	47.6	1.39	53	56	58	61	46	49	54	60
	47 000	47.6		26	28	29	30	23	24	26	30
A321-200 WV006	83 400	47.7	1.36	51	54	57	59	45	47	53	59
	47 000	47.7		26	27	29	30	23	24	26	30
A321-200 WV007	83 400	47.7	1.36	51	54	57	59	45	47	53	59
	47 000	47.7		26	27	29	30	23	24	26	30
A321-200 WV008 (CG 40.51%)	80 400	47.8	1.36	49	52	54	57	43	45	51	56
	47 000	47.8		26	28	29	30	23	24	26	30
A321-200 WV008 (CG 39.71%)	80 400	47.7	1.36	49	52	54	56	43	45	50	56
	47 000	47.7		26	27	29	30	23	24	26	30
A321-200 WV009 (CG 40.08%)	78 400	47.7	1.28	47	49	52	54	42	43	49	55
	47 000	47.7		25	27	29	30	23	24	26	30
A321-200 WV009 (CG 39.21%)	78 400	47.6	1.28	46	49	52	54	41	43	49	55
	47 000	47.6		25	27	29	30	23	24	26	30
A321-200 WV010	85 400	47.6	1.39	53	56	58	61	46	49	54	60
	47 000	47.6		26	28	29	30	23	24	26	30
A321-200 WV011	93 900	47.6	1.50	61	63	66	69	53	56	61	67
	47 000	47.6		27	28	30	31	24	24	26	30

N_AC_070900_1_0220101_01_03

Aircraft Classification Number
ACN Table
FIGURE-7-9-0-991-022-A01

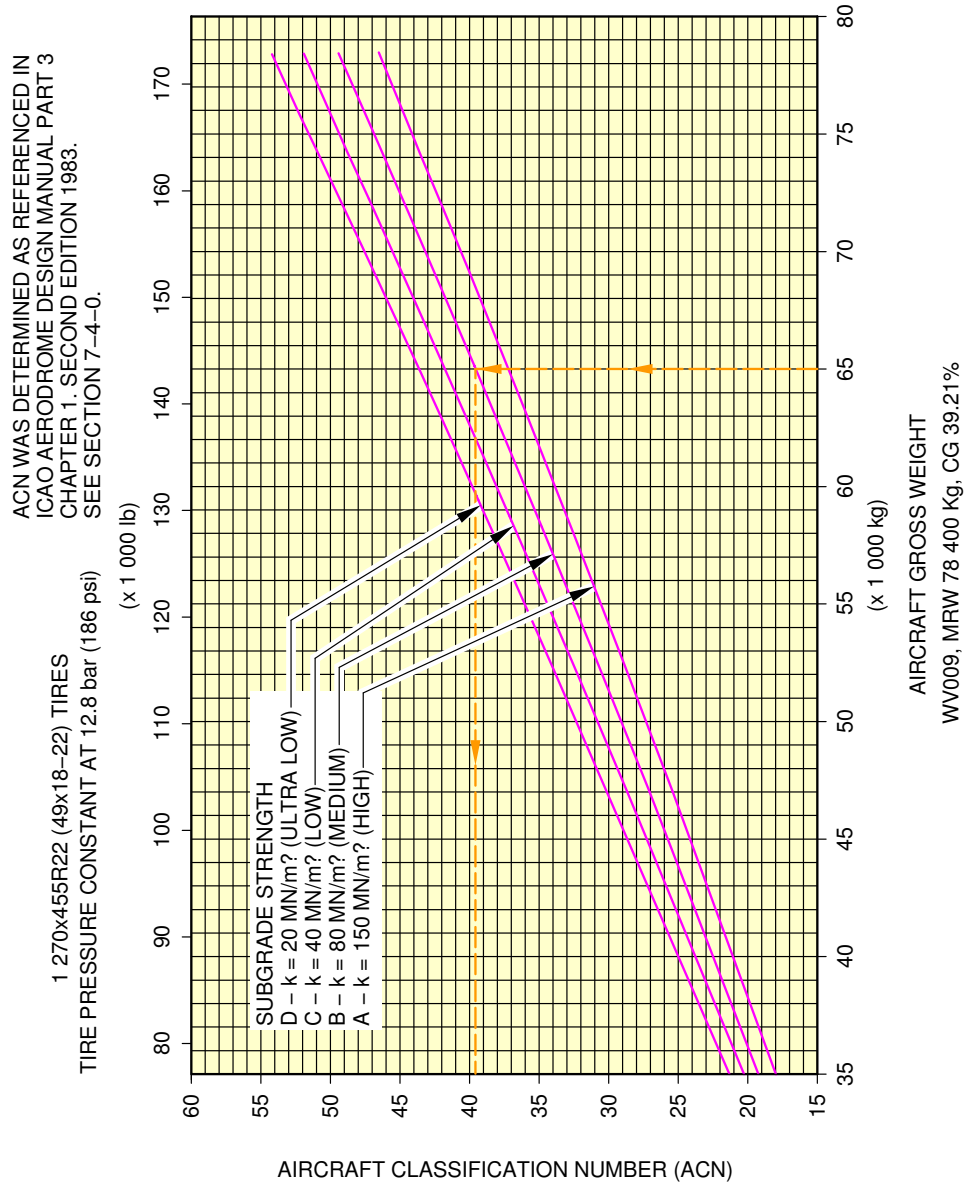
**ON A/C A321-200



N_AC_070900_1_0230101_01_01

Aircraft Classification Number
Flexible Pavement - WV009, MRW 78 400 kg, CG 39.21 % (Sheet 1 of 2)
FIGURE-7-9-0-991-023-A01

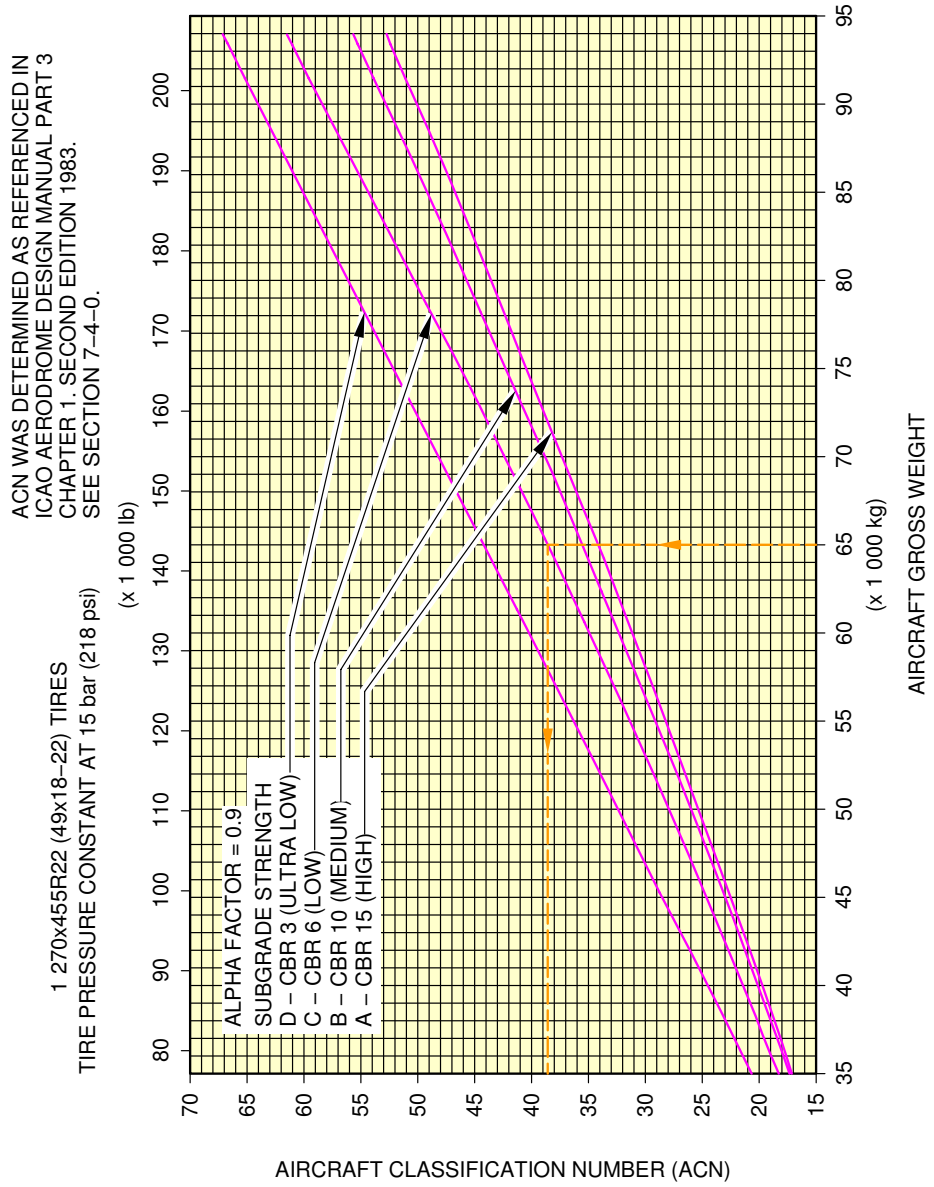
****ON A/C A321-200**



N_AC_070900_1_0230102_01_01

Aircraft Classification Number
Rigid Pavement - WV009, MRW 78 400 kg, CG 39.21 % (Sheet 2 of 2)
FIGURE-7-9-0-991-023-A01

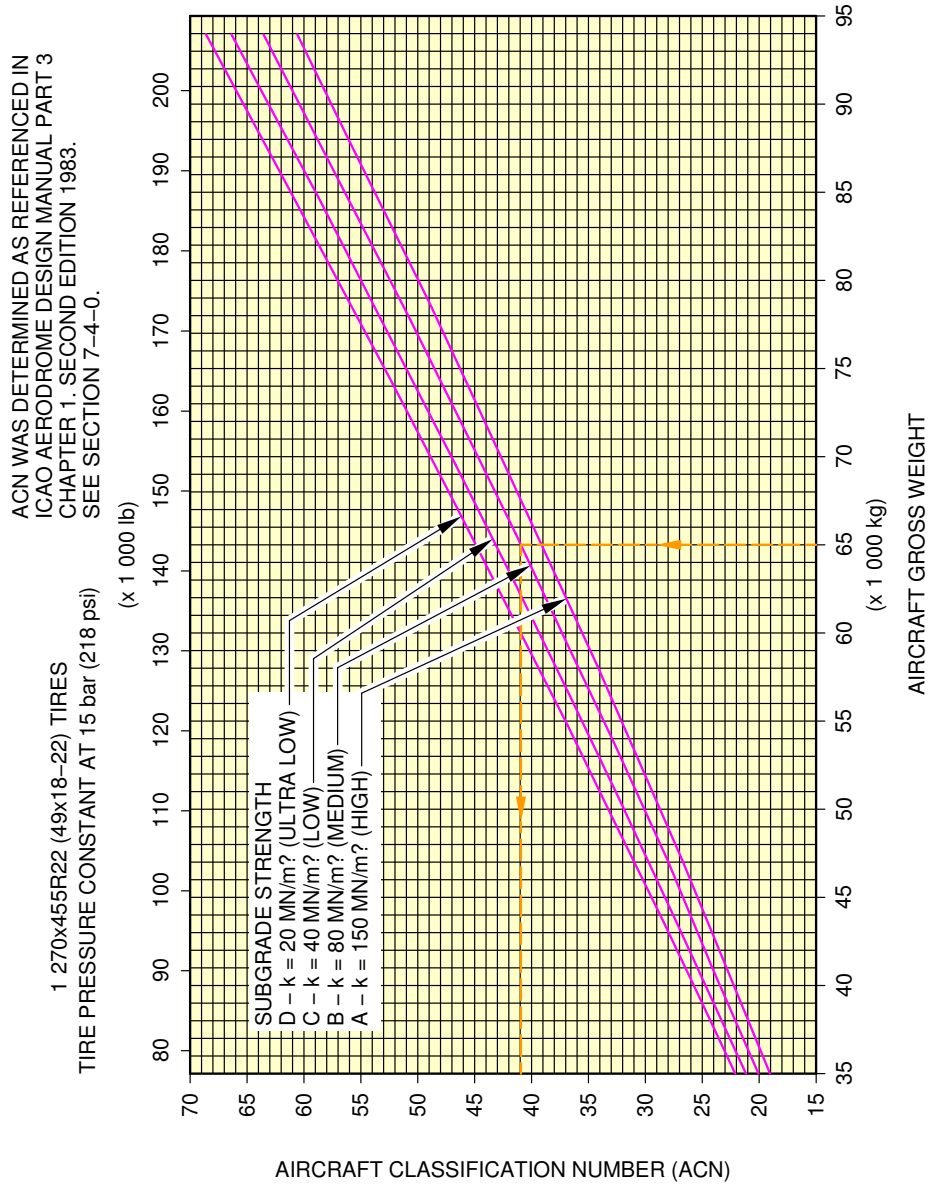
****ON A/C A321-200**



N_AC_070900_1_0240101_01_00

Aircraft Classification Number
Flexible Pavement - WV011, MRW 93 900 kg, CG 36.88 % (Sheet 1 of 2)
FIGURE-7-9-0-991-024-A01

**ON A/C A321-200



N_AC_070900_1_0240102_01_00

Aircraft Classification Number
Rigid Pavement - WV011, MRW 93 900 kg, CG 36.88 % (Sheet 2 of 2)
FIGURE-7-9-0-991-024-A01

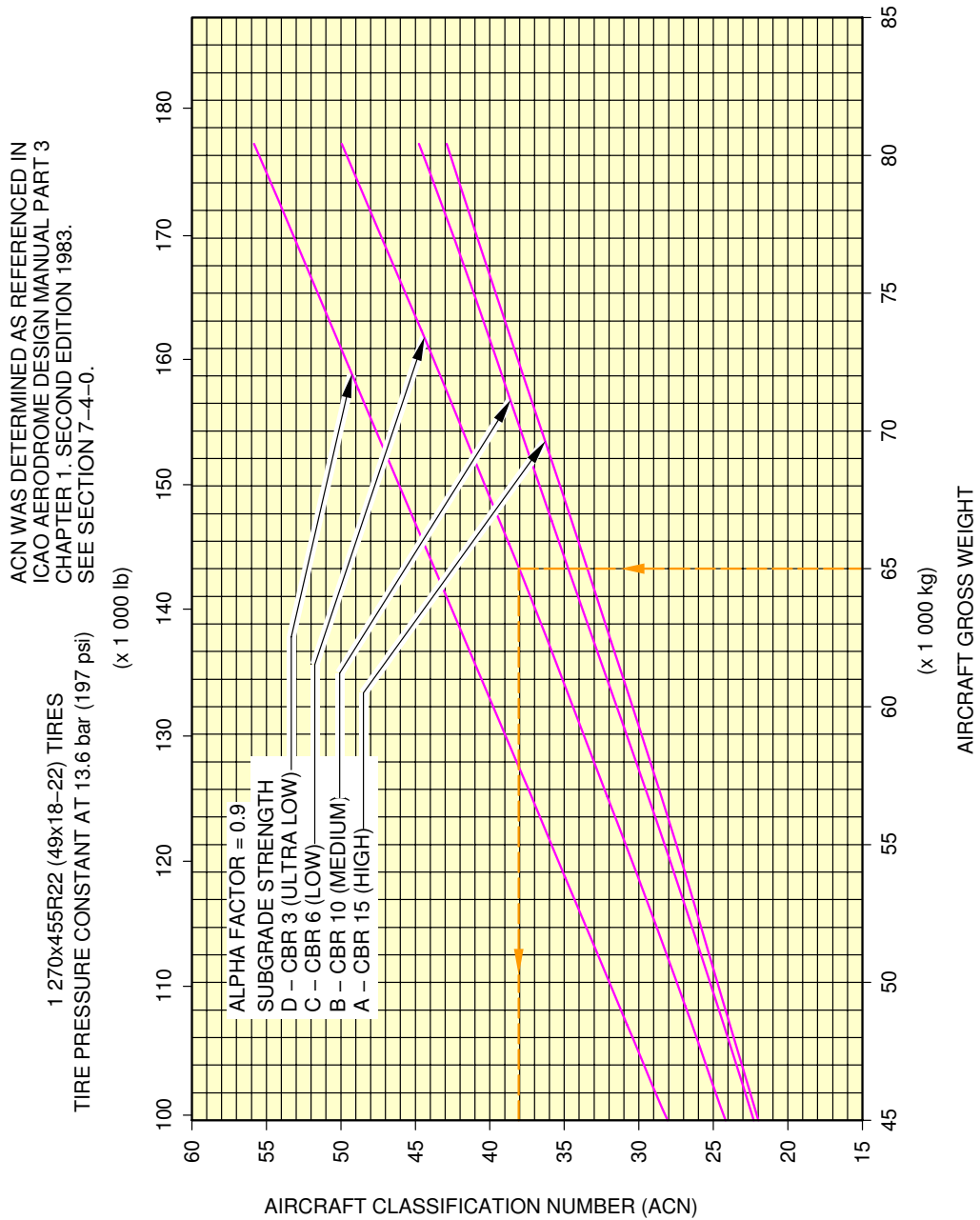
**ON A/C A321neo

WEIGHT VARIANT	ALL UP MASS (kg)	LOAD ON ONE MAIN GEAR LEG (%)	TIRE PRESSURE (MPa)	ACN FOR RIGID PAVEMENT SUBGRADES - MN/m ²				ACN FOR FLEXIBLE PAVEMENT SUBGRADES - CBR			
				High 150	Medium 80	Low 40	Ultra -low 20	High 15	Medium 10	Low 6	Ultra -low 3
A321NEO	89 400	47.8	1.46	57	60	62	65	50	52	58	64
WV050 (CG 38.02%)	47 000	47.8		27	28	30	31	24	24	26	30
A321NEO	89 400	47.6	1.46	57	60	62	64	49	52	58	63
WV050 (CG 37%)	47 000	47.6		26	28	29	31	24	24	26	30
A321NEO	89 400	47.8	1.46	57	60	62	65	50	52	58	64
WV051 (CG 38.02%)	47 000	47.8		27	28	30	31	24	24	26	30
A321NEO	89 400	47.6	1.46	57	60	62	64	49	52	58	63
WV051 (CG 37%)	47 000	47.6		26	28	29	31	24	24	26	30
A321NEO	93 900	47.6	1.50	61	63	66	69	53	56	61	67
WV052	47 000	47.6		27	28	30	31	24	24	26	30
A321NEO	93 900	47.6	1.50	61	63	66	69	53	56	61	67
WV053	47 000	47.6		27	28	30	31	24	24	26	30
A321NEO	92 900	47.7	1.50	60	63	65	68	52	55	61	66
WV056 (CG 37.12%)	47 000	47.6		27	28	30	31	24	24	26	30
A321NEO	92 900	47.6	1.50	60	63	65	68	52	55	61	66
WV056 (CG 37%)	47 000	47.6		27	28	30	31	24	24	26	30
A321NEO	91 400	47.7	1.50	59	62	64	67	51	54	60	65
WV063 (CG 37.5%)	47 000	47.7		27	28	30	31	24	24	26	30
A321NEO	91 400	47.6	1.50	59	62	64	66	51	54	59	65
WV063 (CG 37%)	47 000	47.6		27	28	30	31	24	24	26	30
A321NEO	90 900	47.7	1.50	58	61	64	66	51	53	59	65
WV065 (CG 37.62%)	47 000	47.7		27	28	30	31	24	24	26	30
A321NEO	90 900	47.6	1.50	58	61	64	66	51	53	59	65
WV065 (CG 37%)	47 000	47.6		27	28	30	31	24	24	26	30
A321NEO	80 400	47.6	1.36	49	51	54	56	43	45	50	56
WV070 (CG 38.71%)	47 000	47.5		26	27	29	30	23	24	26	30
A321NEO	80 400	47.3	1.36	48	51	54	56	43	45	50	56
WV070 (CG 37%)	47 000	47.3		26	27	29	30	23	23	25	30
A321NEO	97 400	47.5	1.57	64	67	70	72	55	58	64	70
WV071	47 000	47.5		27	28	30	31	24	24	26	30
A321NEO	97 400	47.5	1.57	64	67	70	72	55	58	64	70
WV072	47 000	47.5		27	28	30	31	24	24	26	30
A321NEO	95 400	47.6	1.57	62	65	68	70	54	57	63	68
WV080	47 000	47.6		27	28	30	31	24	24	26	30

N_AC_070900_1_0250101_01_04

Aircraft Classification Number
ACN Table
FIGURE-7-9-0-991-025-A01

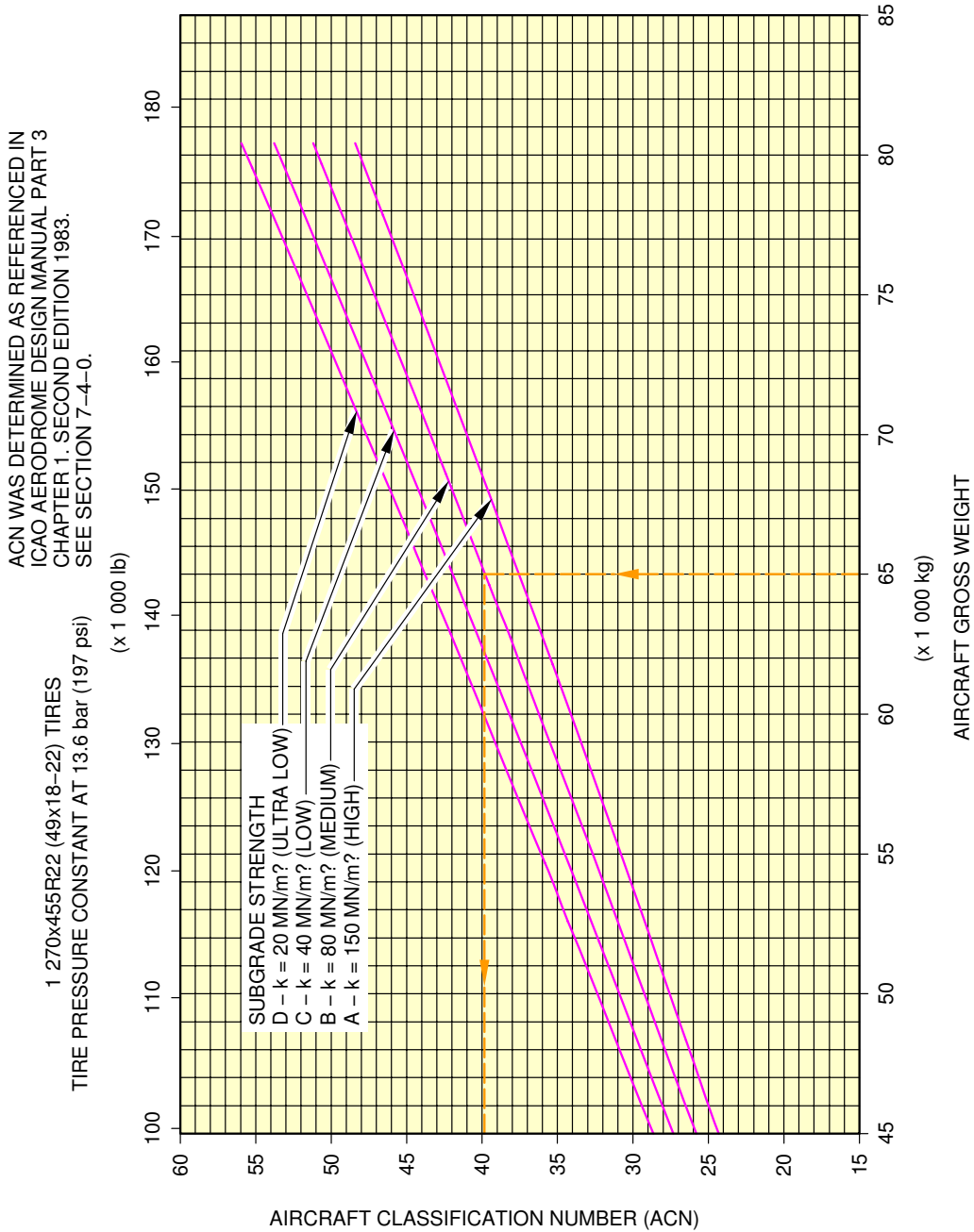
**ON A/C A321neo



N_AC_070900_1_0260101_01_02

Aircraft Classification Number
Flexible Pavement - WV070, MRW 80 400 kg, CG 37 % (Sheet 1 of 2)
FIGURE-7-9-0-991-026-A01

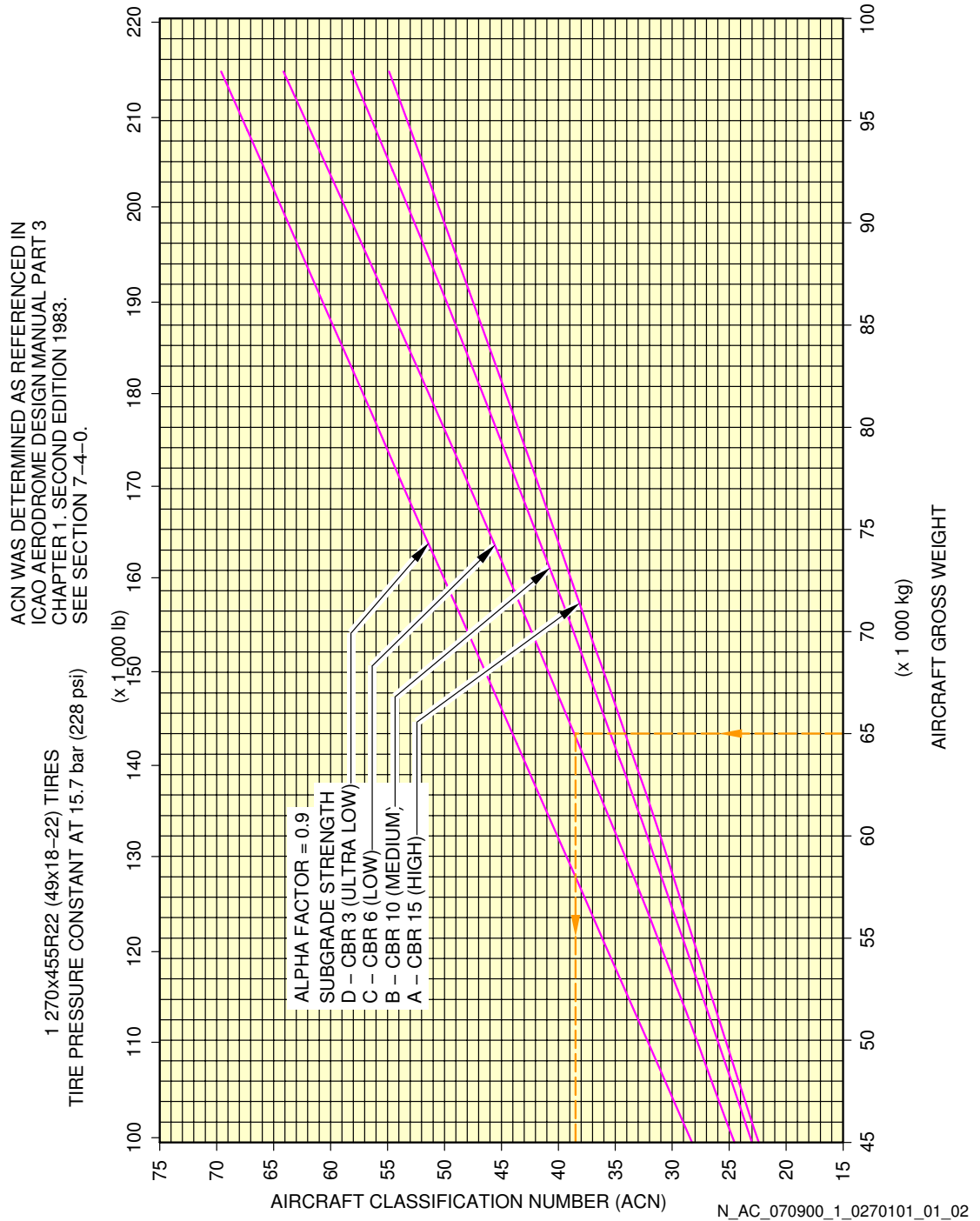
**ON A/C A321neo



N_AC_070900_1_0260102_01_02

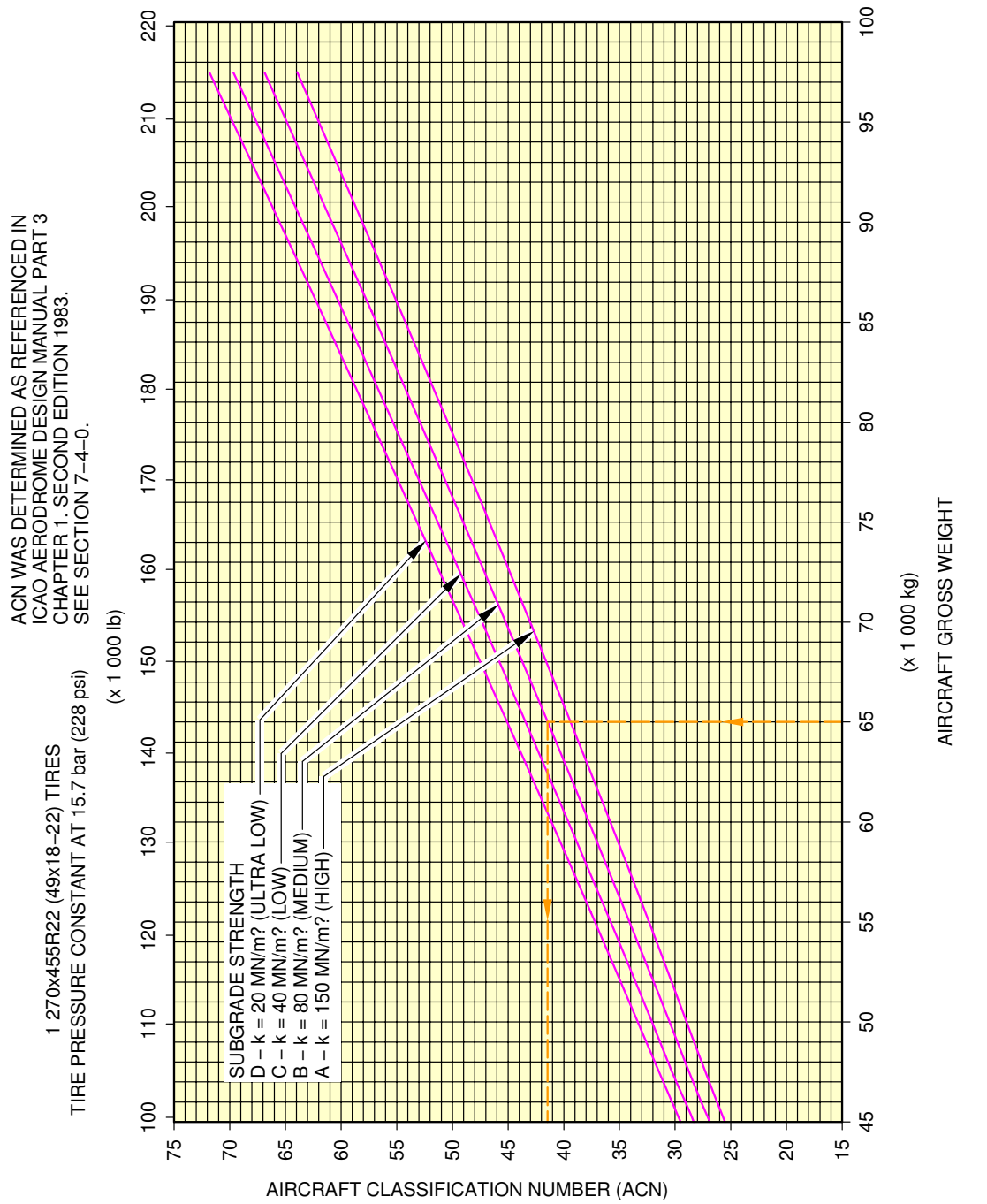
Aircraft Classification Number
Rigid Pavement - WV070, MRW 80 400 kg, CG 37 % (Sheet 2 of 2)
FIGURE-7-9-0-991-026-A01

****ON A/C A321neo**



Aircraft Classification Number
Flexible Pavement - WV071, MRW 97 400 kg, CG 36.07 % (Sheet 1 of 2)
FIGURE-7-9-0-991-027-A01

**ON A/C A321neo



Aircraft Classification Number
Rigid Pavement - WV071, MRW 97 400 kg, CG 36.07 % (Sheet 2 of 2)
FIGURE-7-9-0-991-027-A01



SCALED DRAWINGS

8-0-0 SCALED DRAWINGS

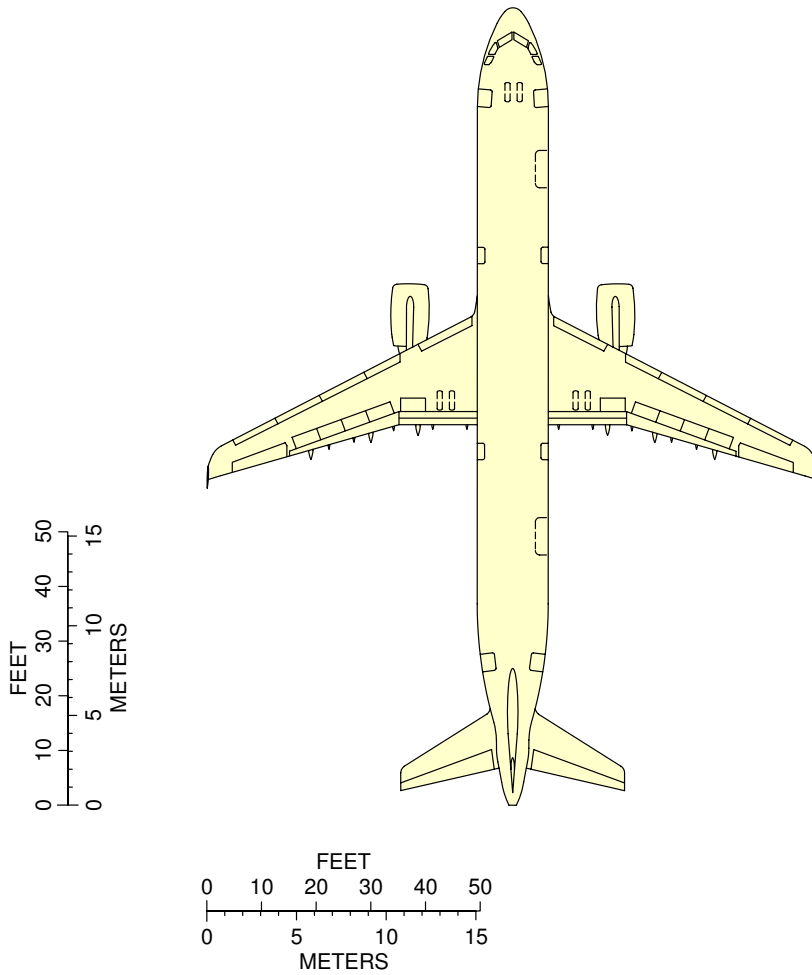
**ON A/C A321-100 A321-200 A321neo

Scaled Drawings

1. This section provides the scaled drawings.

NOTE : When printing this drawing, make sure to adjust for proper scaling.

****ON A/C A321-100 A321-200**

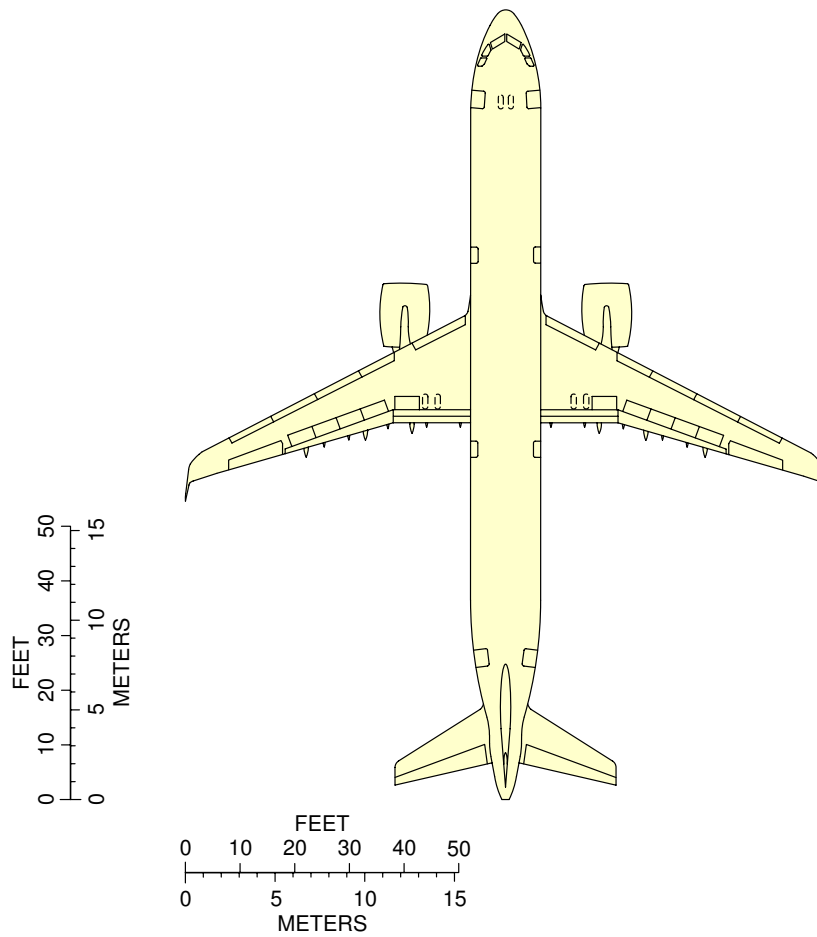


NOTE: WHEN PRINTING THIS DRAWING, MAKE SURE TO ADJUST FOR PROPER SCALING.

N_AC_080000_1_0040101_01_00

Scaled Drawing
FIGURE-8-0-0-991-004-A01

****ON A/C A321neo**



NOTE:

WHEN PRINTING THIS DRAWING, MAKE SURE TO ADJUST FOR PROPER SCALING.

N_AC_080000_1_0070101_01_00

Scaled Drawing
FIGURE-8-0-0-991-007-A01

AIRCRAFT RESCUE AND FIRE FIGHTING

10-0-0 AIRCRAFT RESCUE AND FIRE FIGHTING

****ON A/C A321-100 A321-200 A321neo**Aircraft Rescue and Fire Fighting

1. Aircraft Rescue and Fire Fighting Charts

This sections provides data related to aircraft rescue and fire fighting.

The figures contained in this section are the figures that are in the Aircraft Rescue and Fire Fighting Charts poster available for download on AIRBUSWorld and the Airbus website.

**ON A/C A321-100 A321-200 A321neo

AIRBUS A321/A321neo/ A321neoACF

Aircraft Rescue and Fire Fighting Chart ARFC

NOTE:

THIS CHART GIVES THE GENERAL LAYOUT OF THE A321 STANDARD VERSION.
THE NUMBER AND ARRANGEMENT OF THE INDIVIDUAL ITEMS VARY WITH THE CUSTOMERS.
FIGURES CONTAINED IN THIS POSTER ARE AVAILABLE SEPARATELY IN THE CHAPTER 10 OF THE
"AIRCRAFT CHARACTERISTICS - AIRPORT AND MAINTENANCE PLANNING" DOCUMENT.

ISSUED BY:

AIRBUS S.A.S
CUSTOMER SERVICES
TECHNICAL DATA SUPPORT AND SERVICES
31707 BLAGNAC CEDEX
FRANCE

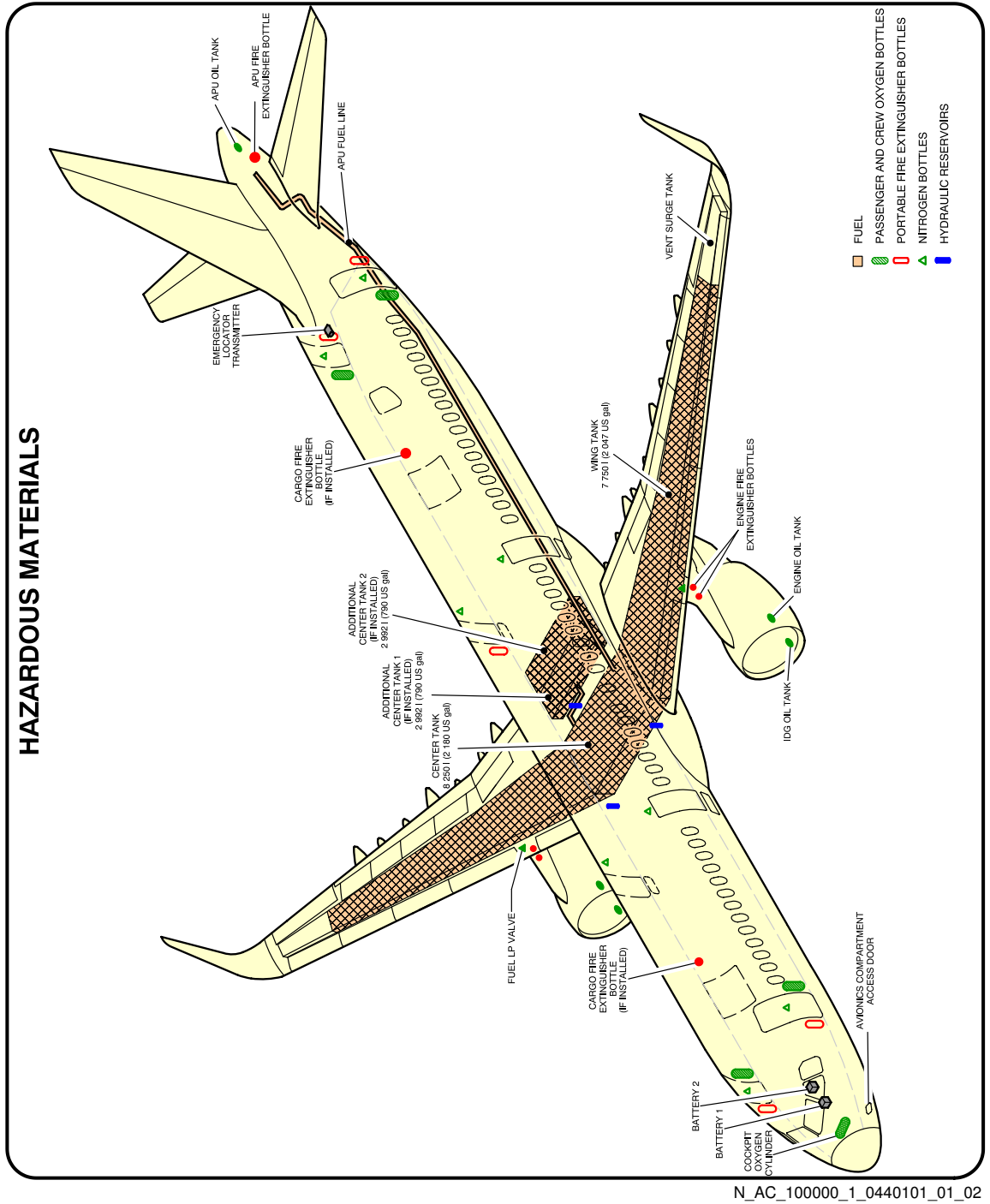
REVISION DATE: NOV 2019
REFERENCE : N_RF_000000_1_A321000
SHEET 2/2

© AIRBUS S.A.S. 2018 . All rights reserved.

N_AC_100000_1_0430101_01_04

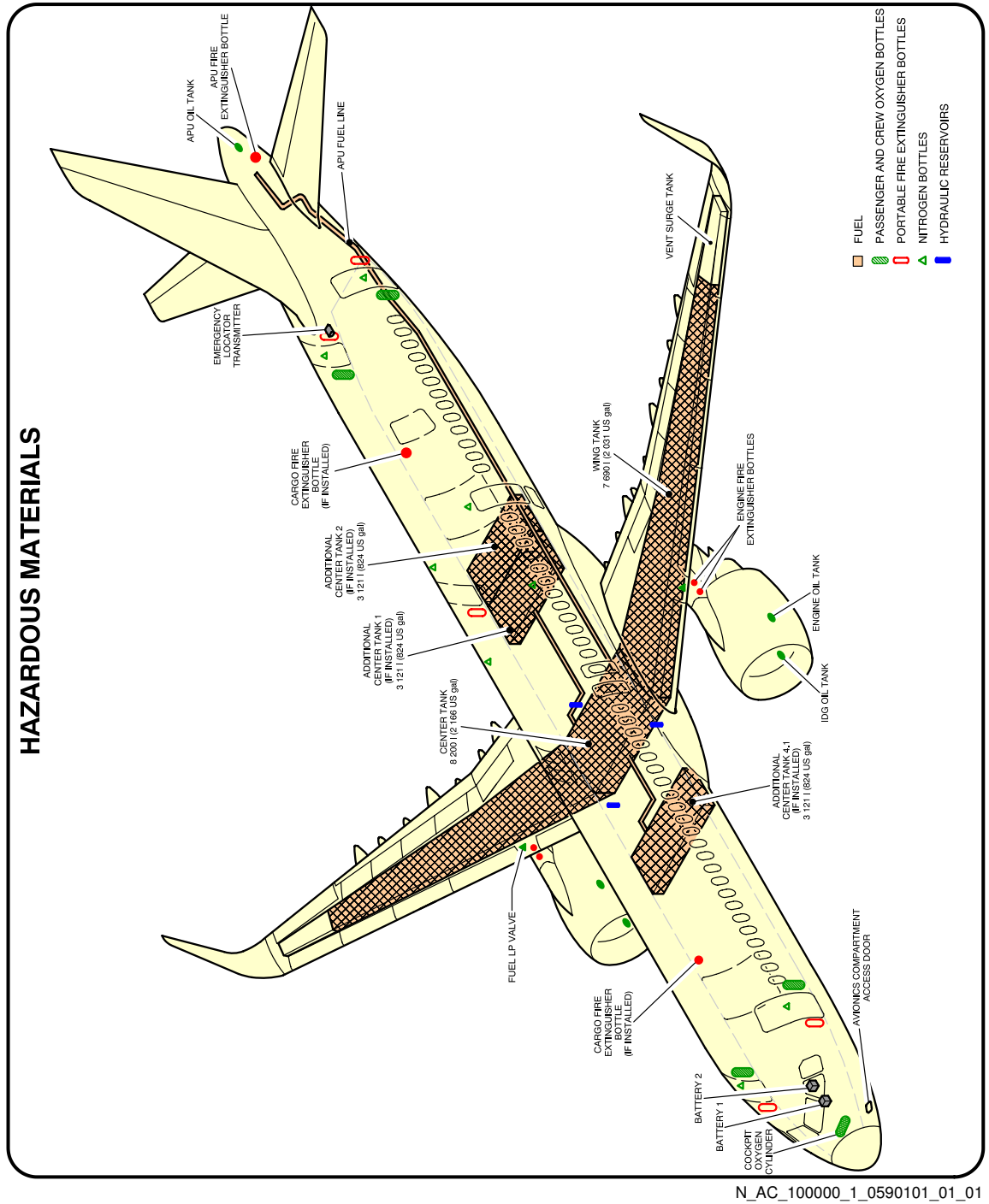
Front Page
FIGURE-10-0-0-991-043-A01

**ON A/C A321-100 A321-200 A321neo



Highly Flammable and Hazardous Materials and Components
FIGURE-10-0-0-991-044-A01

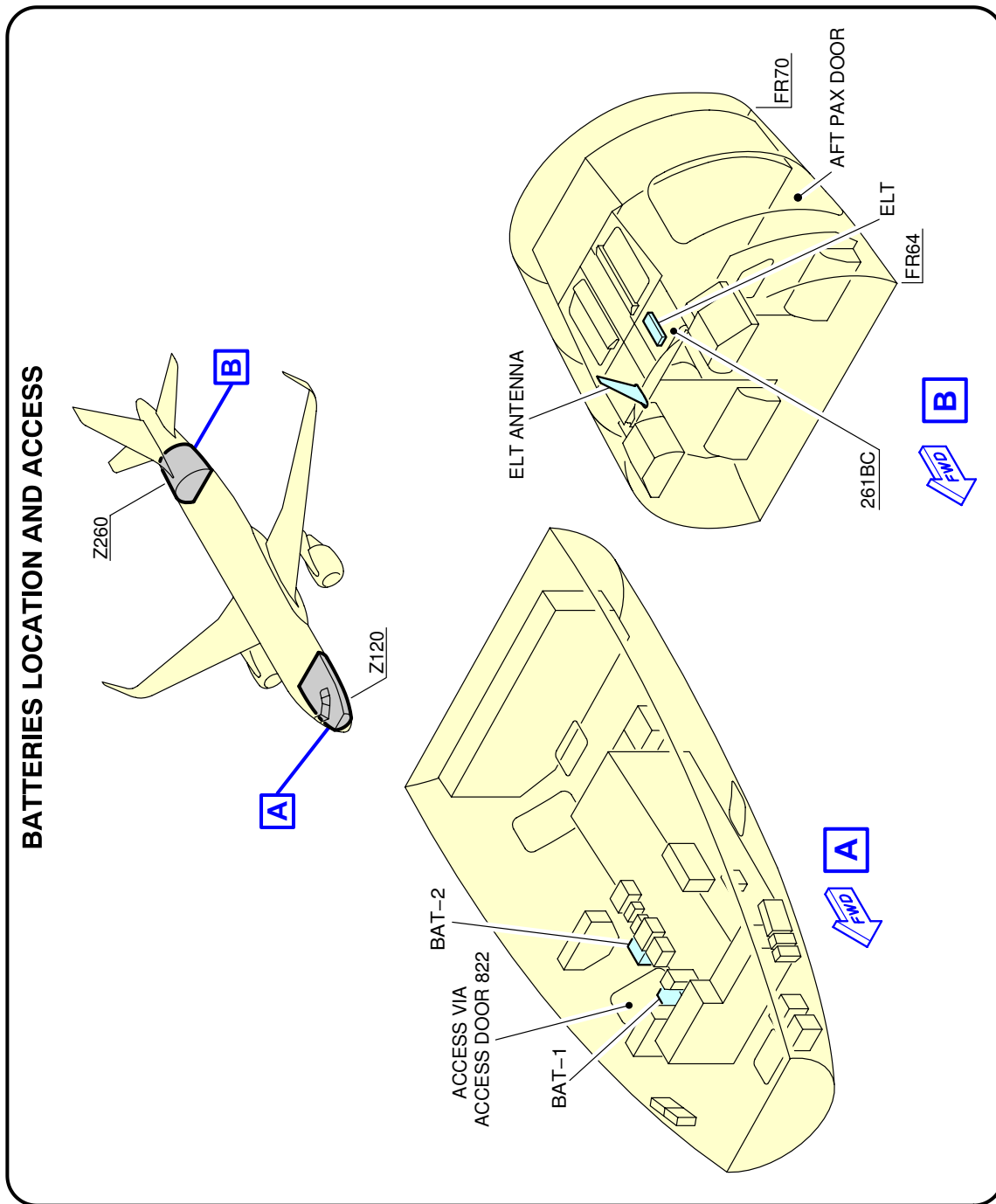
**ON A/C A321neo



N_AC_100000_1_0590101_01_01

Highly Flammable and Hazardous Materials and Components for A321NEO-ACF
FIGURE-10-0-0-991-059-A01

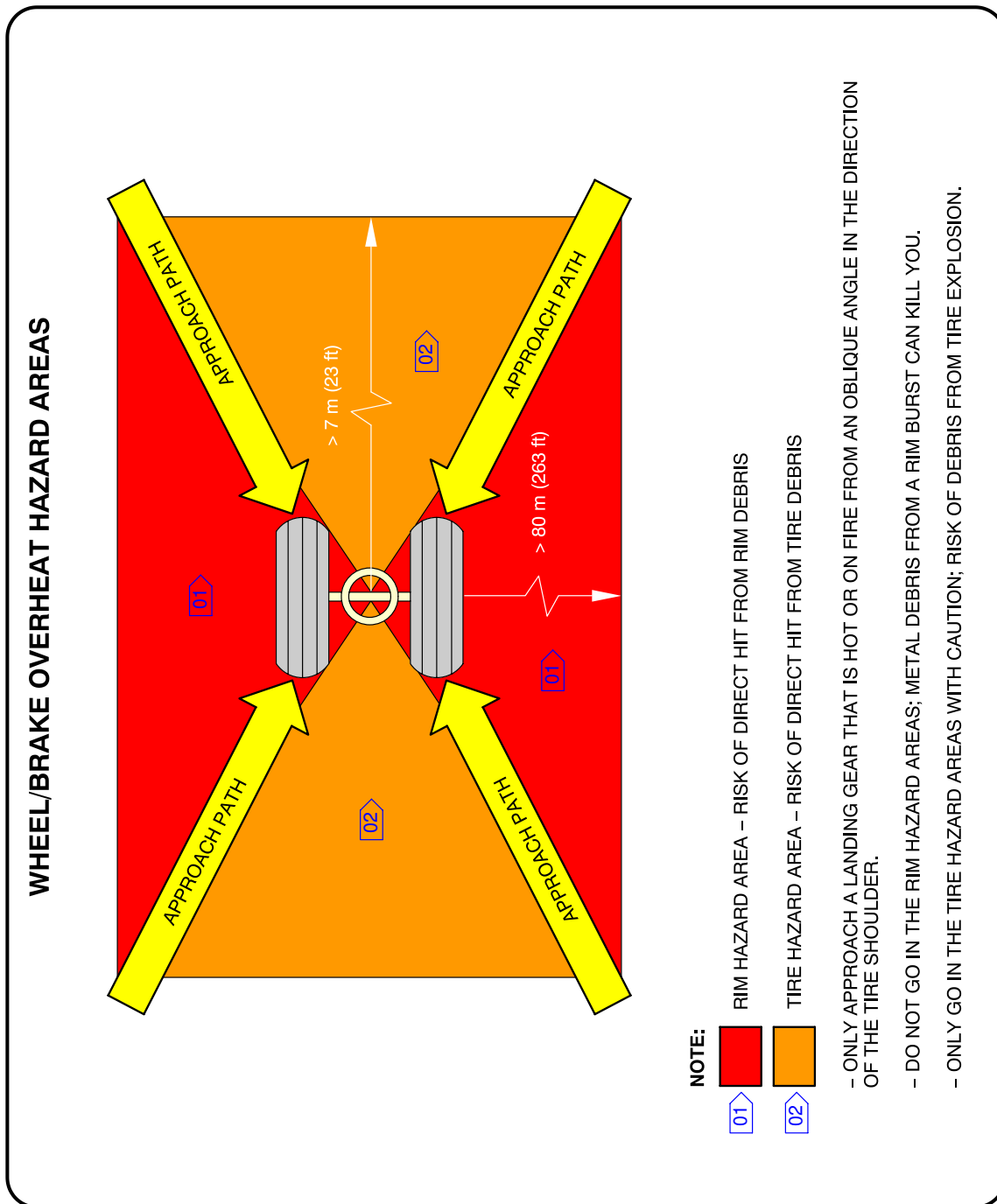
**ON A/C A321-100 A321-200 A321neo



N_AC_100000_1_0580101_01_02

Batteries Location and Access
FIGURE-10-0-0-991-058-A01

**ON A/C A321-100 A321-200 A321neo



N_AC_100000_1_0450101_01_02

Wheel/Brake Overheat
Wheel Safety Area (Sheet 1 of 2)
FIGURE-10-0-0-991-045-A01

**ON A/C A321-100 A321-200 A321neo

BRAKE OVERHEAT AND LANDING GEAR FIRE

WARNING: BE VERY CAREFUL WHEN THERE IS A BRAKE OVERHEAT AND/OR LANDING GEAR FIRE. THERE IS A RISK OF TIRE EXPLOSION AND/OR WHEEL RIM BURST THAT CAN CAUSE DEATH OR INJURY. MAKE SURE THAT YOU OBEY THE SAFETY PRECAUTIONS THAT FOLLOW.

THE PROCEDURES THAT FOLLOW GIVE RECOMMENDATIONS AND SAFETY PRECAUTIONS FOR THE COOLING OF VERY HOT BRAKES AFTER ABNORMAL OPERATIONS SUCH AS A REJECTED TAKE-OFF OR OVERWEIGHT LANDING. FOR THE COOLING OF BRAKES AFTER NORMAL TAXI-IN, REFER TO YOUR COMPANY PROCEDURES.

BRAKE OVERHEAT:

1 – GET THE BRAKE TEMPERATURE FROM THE COCKPIT OR USE A REMOTE MEASUREMENT TECHNIQUE. THE REAL TEMPERATURE OF THE BRAKES CAN BE MUCH HIGHER THAN THE TEMPERATURE SHOWN ON THE ECAM.
NOTE: AT HIGH TEMPERATURES (>800°C), THERE IS A RISK OF WARPING OF THE LANDING GEAR STRUTS AND AXLES.

2 – APPROACH THE LANDING GEAR WITH EXTREME CAUTION AND FROM AN OBLIQUE ANGLE IN THE DIRECTION OF THE TIRE SHOULDER. DO NOT GO INTO THE RIM HAZARD AREA AND ONLY GO IN THE TIRE HAZARD AREA WITH CAUTION. (REF FIG. WHEEL/BRAKE OVERHEAT HAZARD AREAS). IF POSSIBLE, STAY IN A VEHICLE.

3 – LOOK AT THE CONDITION OF THE TIRES:
IF THE TIRES ARE STILL INFLATED (FUSE PLUGS NOT MELTED), THERE IS A RISK OF TIRE EXPLOSION AND RIM BURST. DO NOT USE COOLING FANS BECAUSE THEY CAN PREVENT OPERATION OF THE FUSE PLUGS.

4 – USE WATER MIST TO DECREASE THE TEMPERATURE OF THE COMPLETE WHEEL AND BRAKE ASSEMBLY. USE A TECHNIQUE THAT PREVENTS SUDDEN COOLING. SUDDEN COOLING CAN CAUSE WHEEL CRACKS OR RIM BURST. DO NOT APPLY WATER, FOAM OR CO₂. THESE COOLING AGENTS (AND ESPECIALLY CO₂, WHICH HAS A VERY STRONG COOLING EFFECT) CAN CAUSE THERMAL SHOCKS AND BURST OF HOT PARTS.

LANDING GEAR FIRE:

CAUTION: AIRBUS RECOMMENDS THAT YOU DO NOT USE DRY POWDERS OR DRY CHEMICALS ON HOT BRAKES OR LANDING GEAR FIRES. THESE AGENTS CAN CHANGE INTO SOLID OR ENAMELED DEPOSITS. THEY CAN DECREASE THE SPEED OF HEAT DISSIPATION WITH A POSSIBLE RISK OF PERMANENT STRUCTURAL DAMAGE TO THE BRAKES, WHEELS OR WHEEL AXLES.

1 – IMMEDIATELY STOP THE FIRE:

A) APPROACH THE LANDING GEAR WITH EXTREME CAUTION AND FROM AN OBLIQUE ANGLE IN THE DIRECTION OF THE TIRE SHOULDER. DO NOT GO INTO THE RIM HAZARD AREA AND ONLY GO IN THE TIRE HAZARD AREA WITH CAUTION. IF POSSIBLE, STAY IN A VEHICLE.

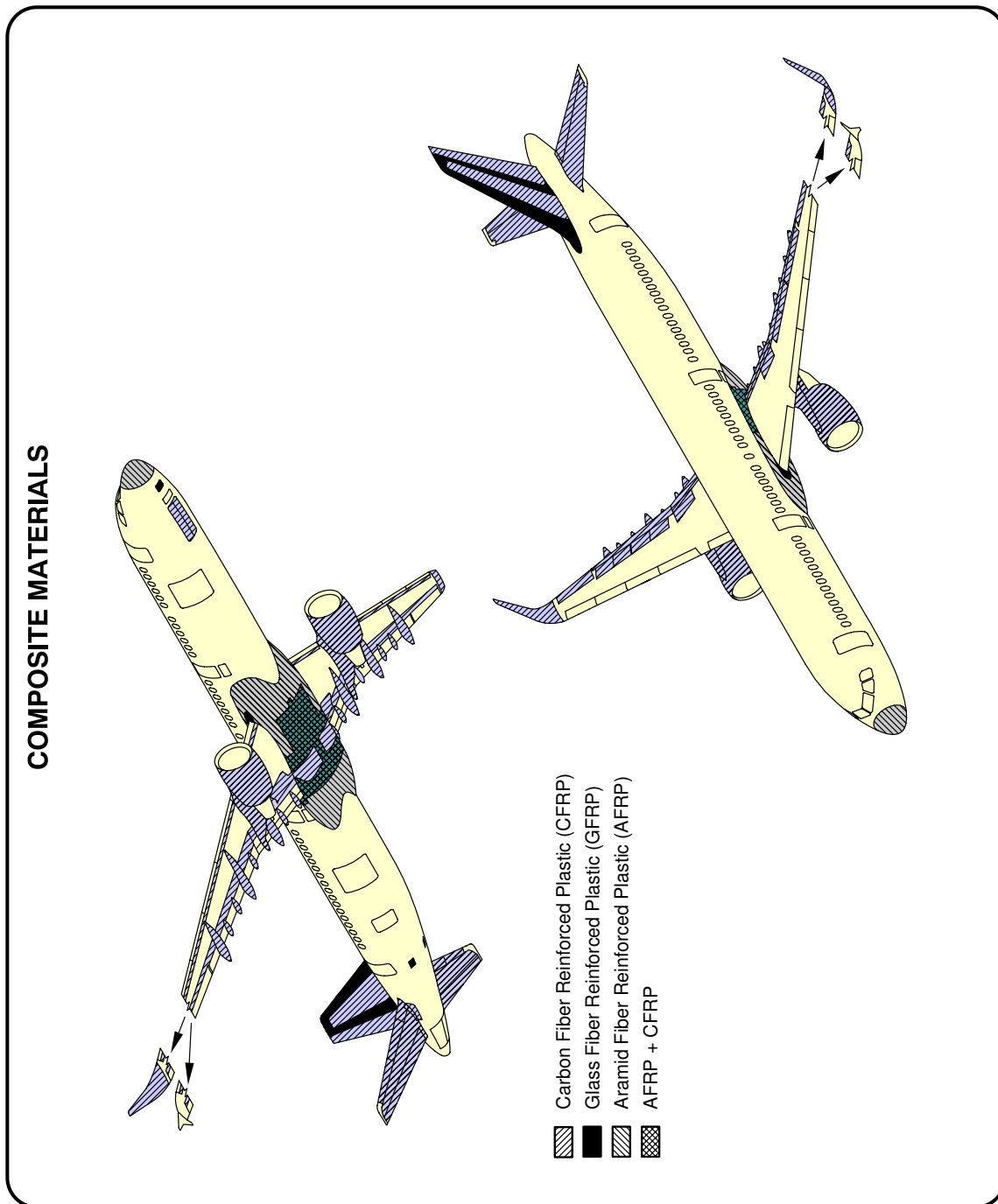
B) USE LARGE AMOUNTS OF WATER, WATER MIST; IF THE FUEL TANKS ARE AT RISK, USE FOAM. USE A TECHNIQUE THAT PREVENTS SUDDEN COOLING. SUDDEN COOLING CAN CAUSE WHEEL CRACKS OR RIM BURST.

C) DO NOT USE FANS OR BLOWERS.

N_AC_100000_1_0450102_01_00

Wheel/Brake Overheat
Recommendations (Sheet 2 of 2)
FIGURE-10-0-0-991-045-A01

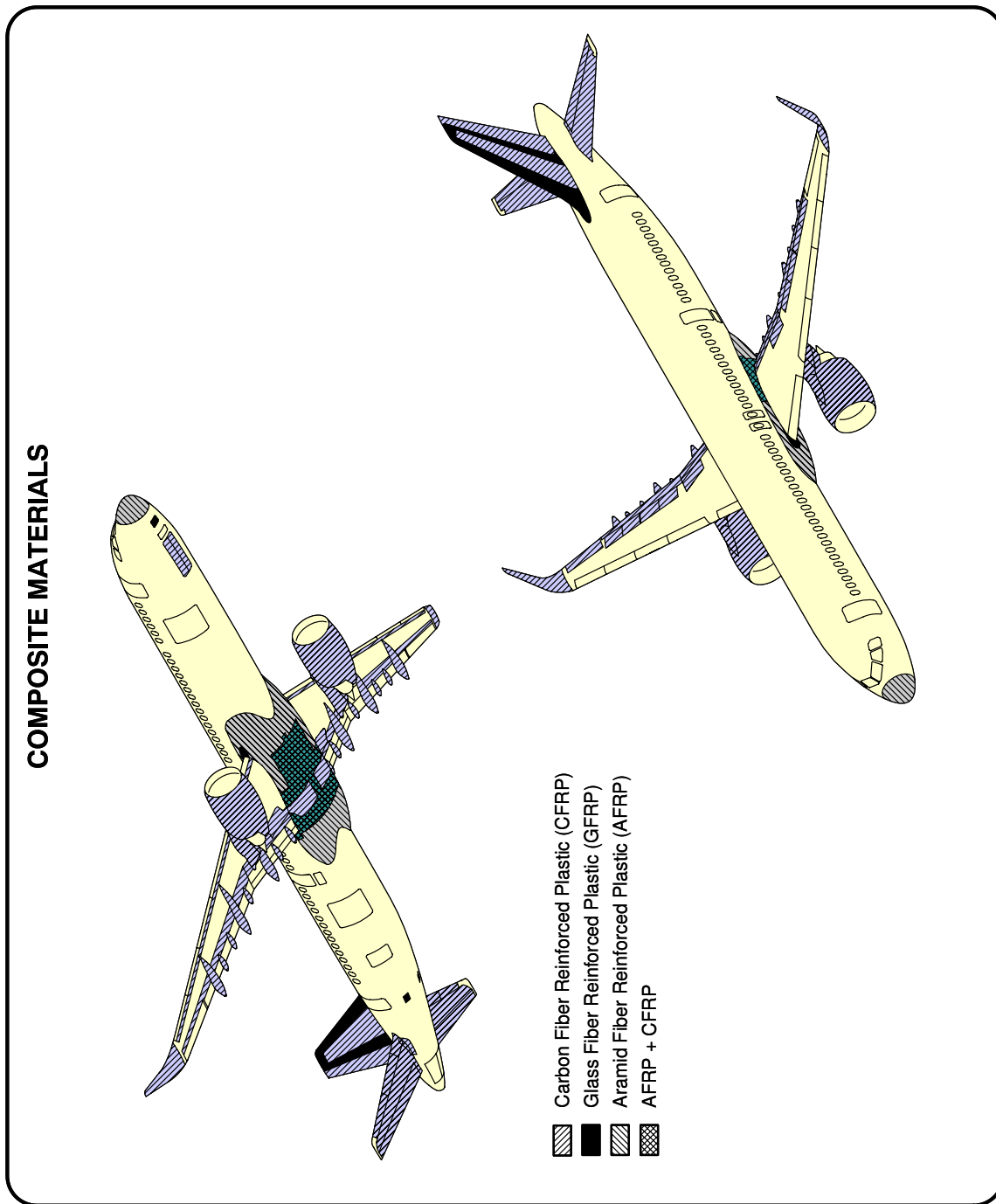
**ON A/C A321-100 A321-200 A321neo



N_AC_100000_1_0460101_01_01

Composite Materials
FIGURE-10-0-0-991-046-A01

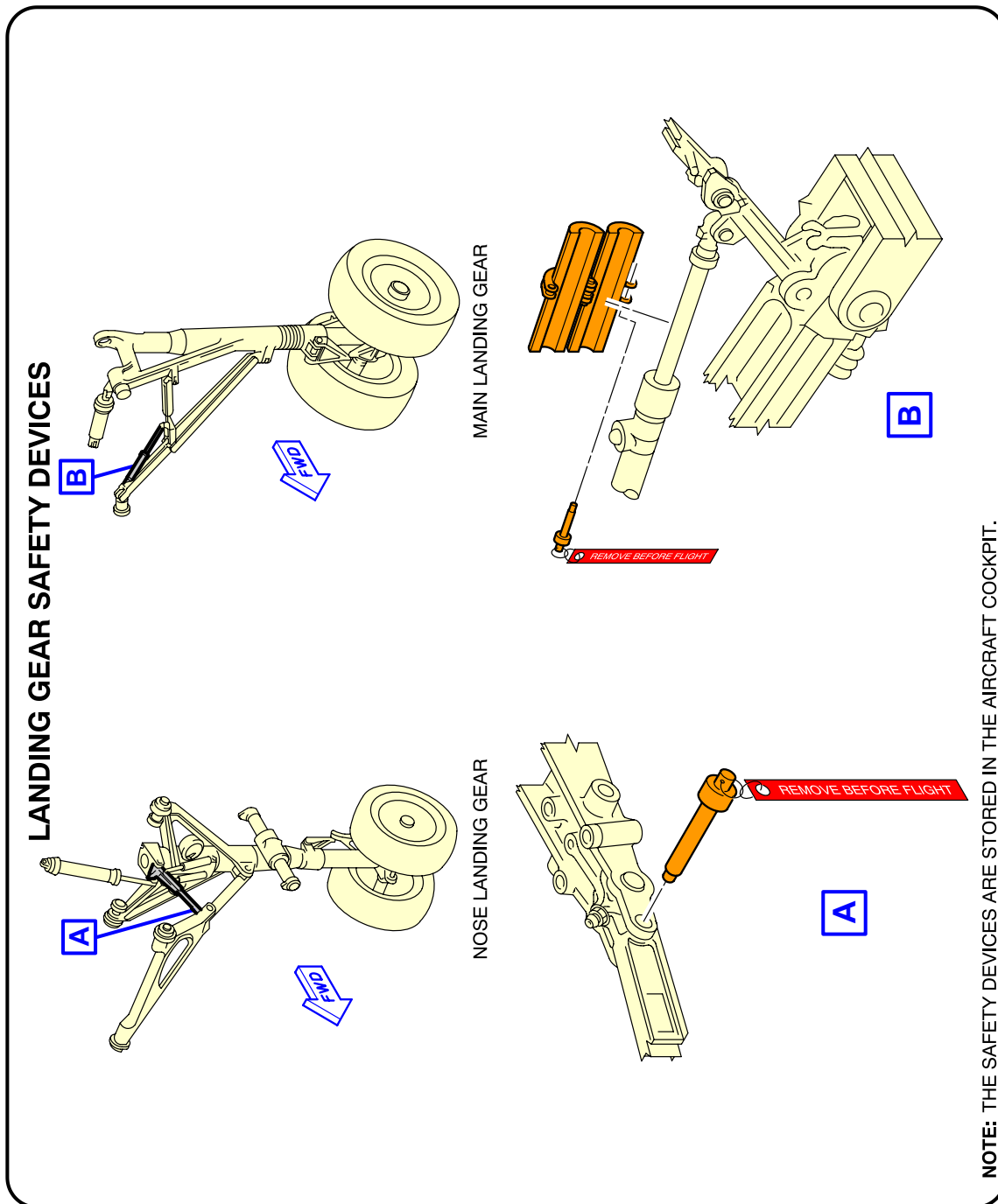
**ON A/C A321neo



N_AC_100000_1_0620101_01_00

Composite Materials for A321NEO-ACF
FIGURE-10-0-0-991-062-A01

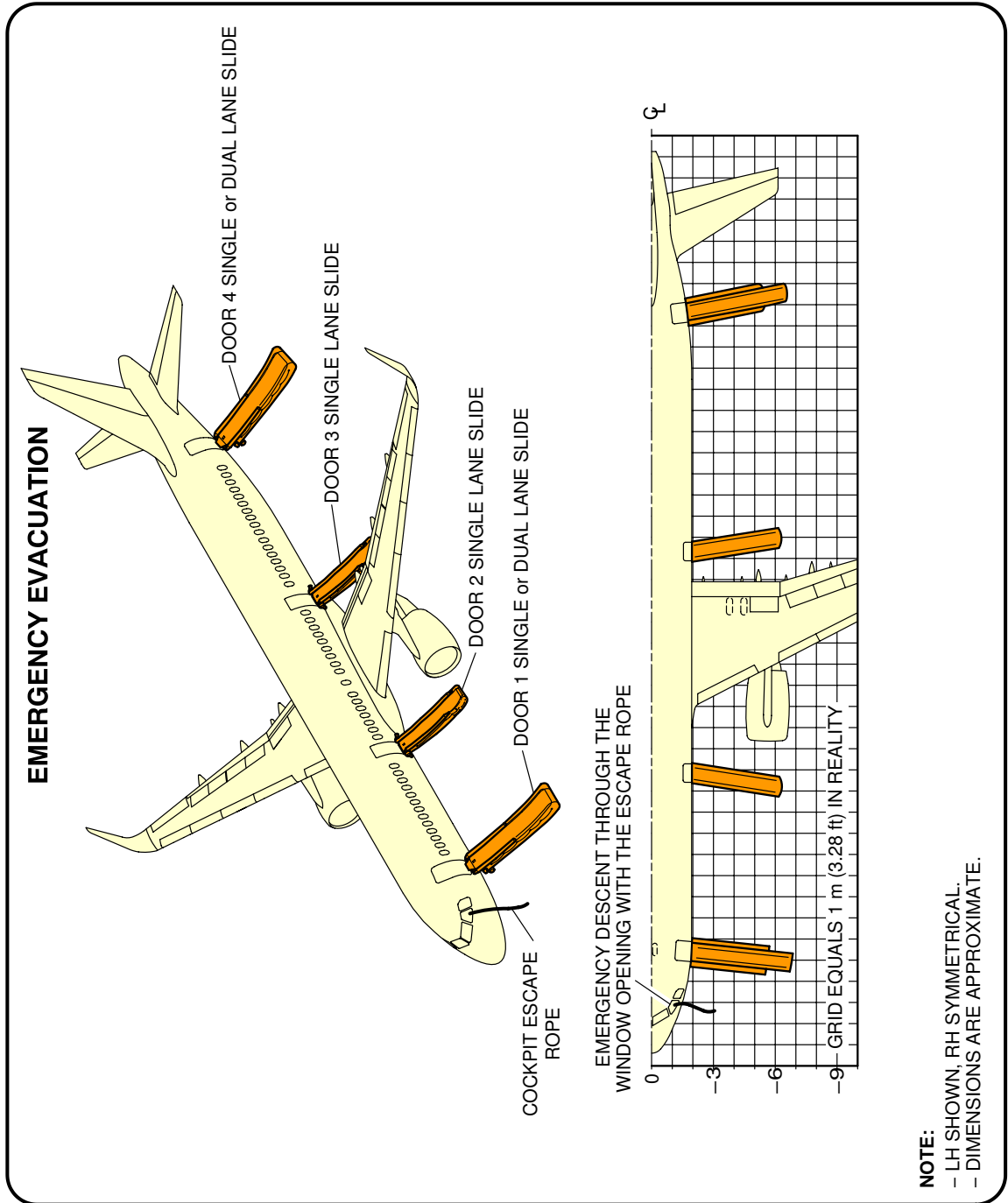
**ON A/C A321-100 A321-200 A321neo



N_AC_100000_1_0470101_01_01

L/G Ground Lock Safety Devices
FIGURE-10-0-0-991-047-A01

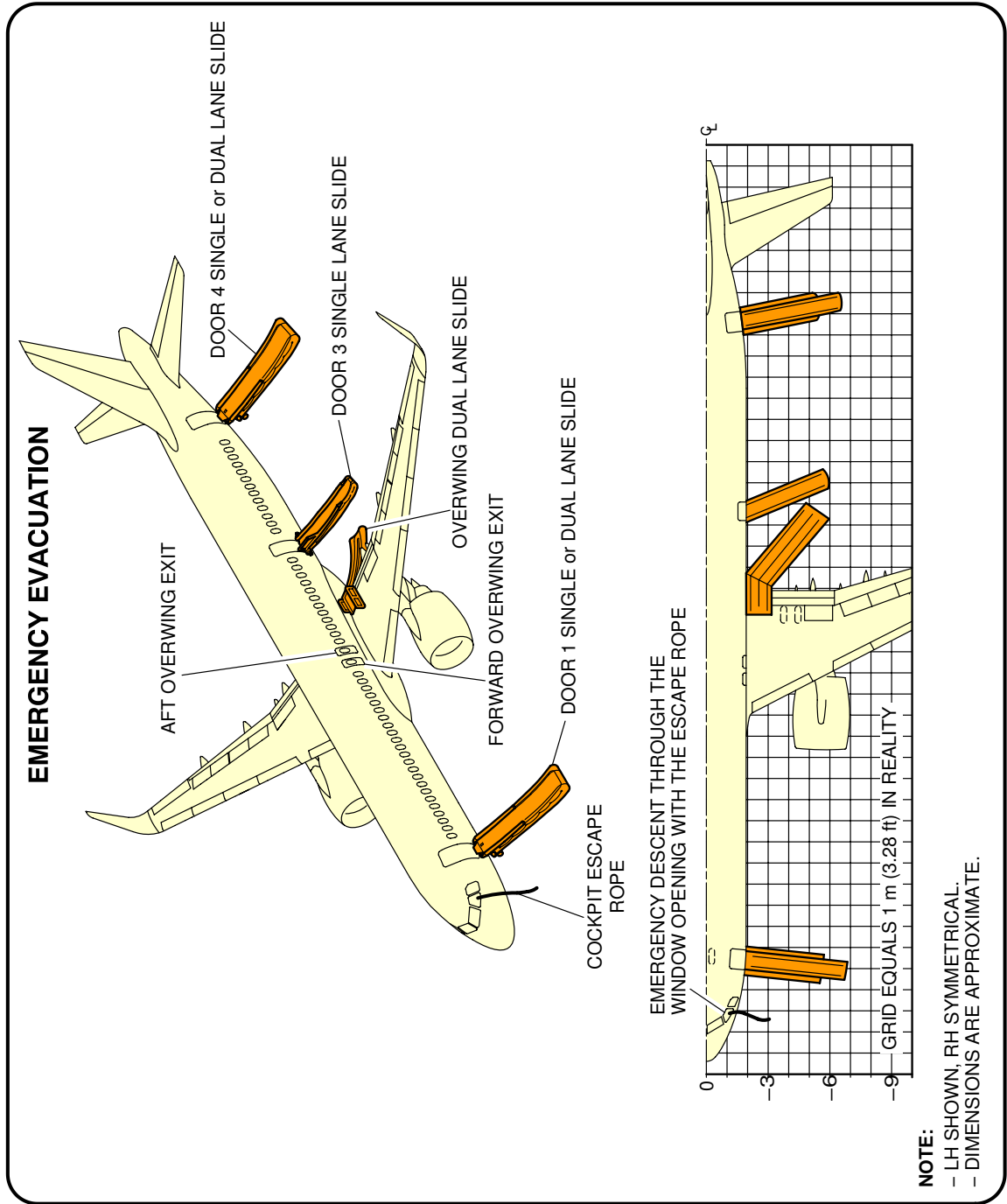
**ON A/C A321-100 A321-200 A321neo



N_AC_100000_1_0480101_01_04

Emergency Evacuation Devices
FIGURE-10-0-0-991-048-A01

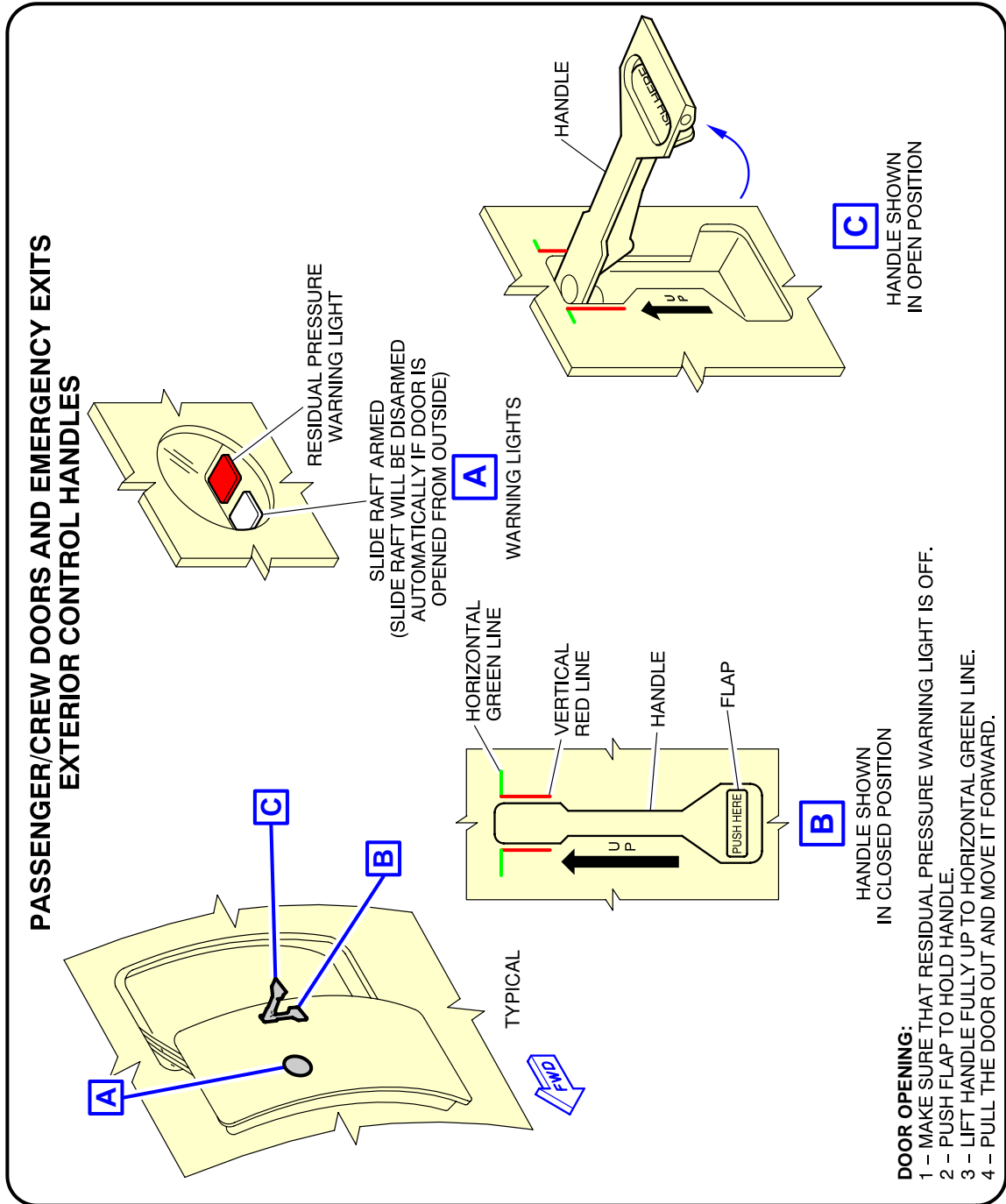
**ON A/C A321neo



N_AC_100000_1_0600101_01_01

Emergency Evacuation Devices for A321NEO-ACF
 FIGURE-10-0-0-991-060-A01

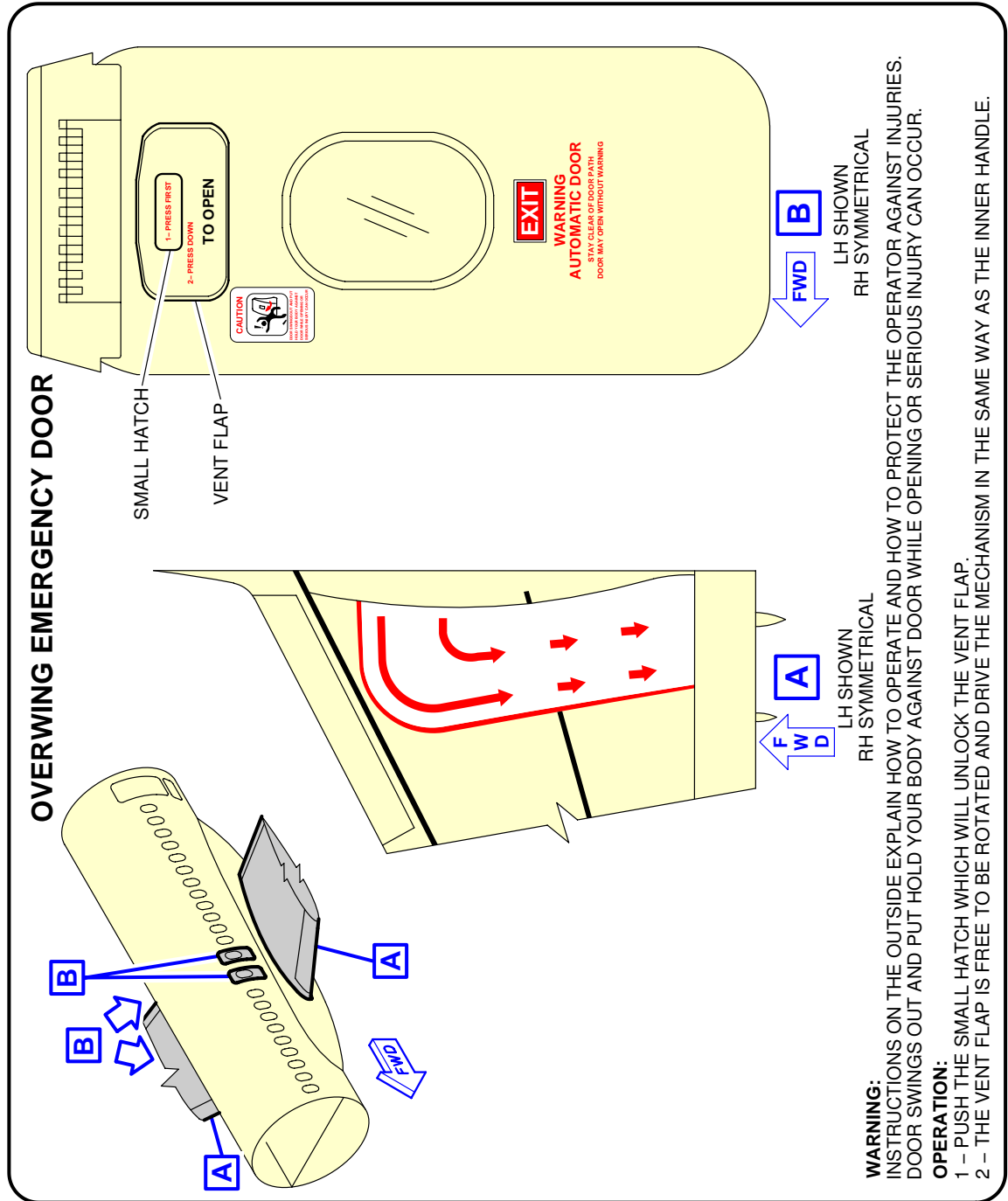
**ON A/C A321-100 A321-200 A321neo



N_AC_100000_1_0490101_01_01

Pax/Crew Doors and Emergency Exits
FIGURE-10-0-0-991-049-A01

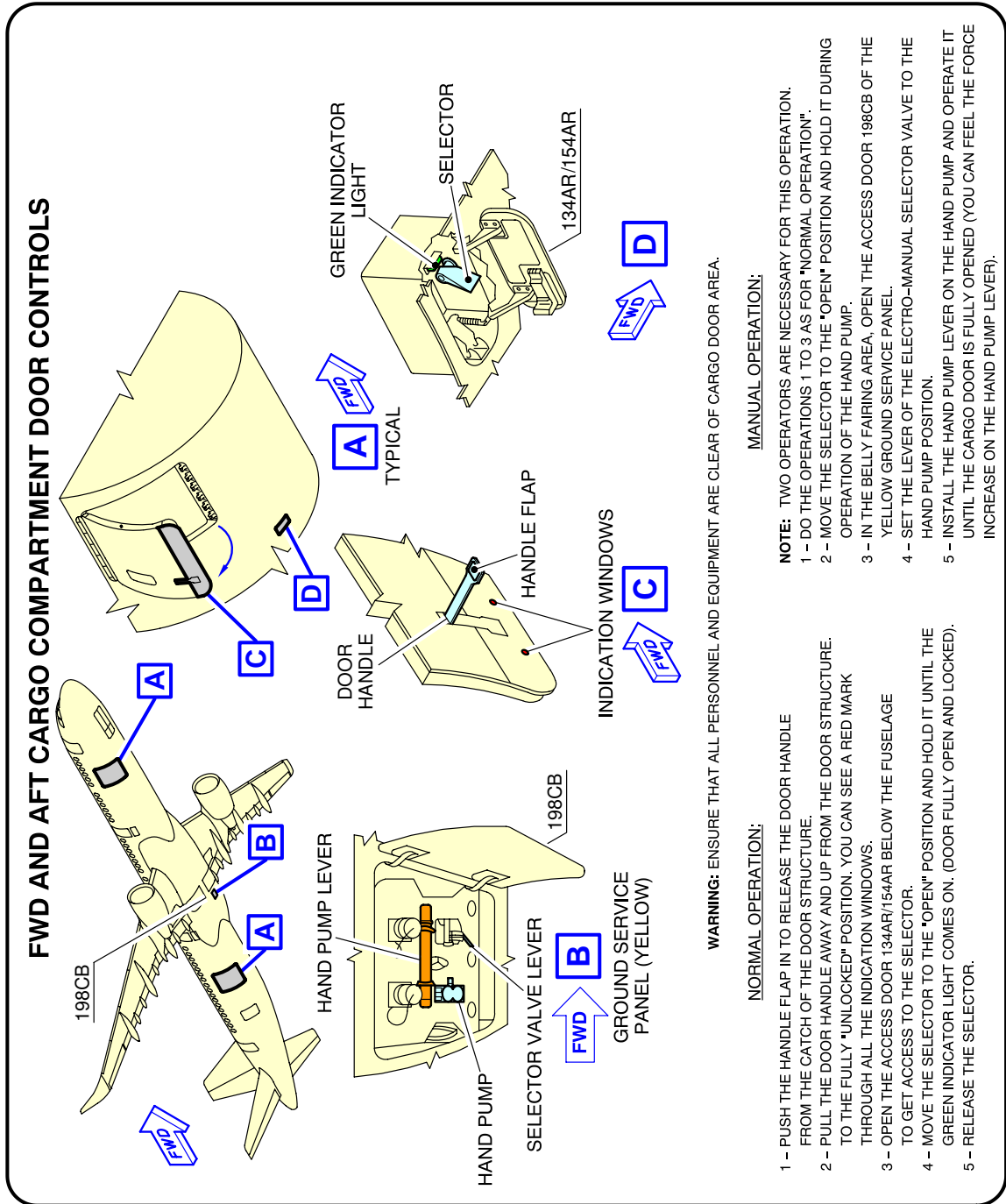
**ON A/C A321neo



N_AC_100000_1_0630101_01_00

Overwing Emergency Doors for A321NEO-ACF
FIGURE-10-0-0-991-063-A01

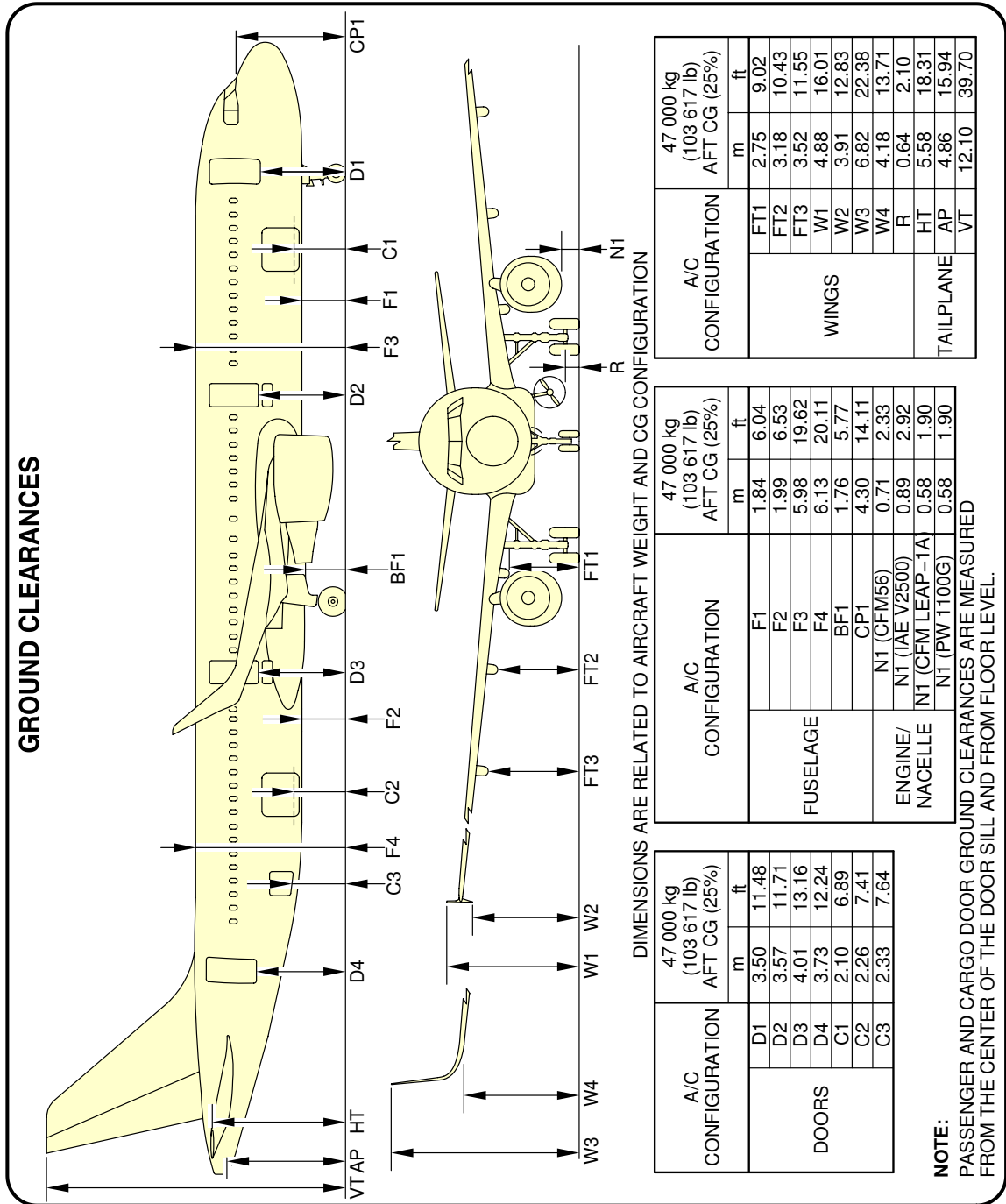
**ON A/C A321-100 A321-200 A321neo



N_AC_100000_1_0500101_01_01

FWD and AFT Lower Deck Cargo Doors
FIGURE-10-0-0-991-050-A01

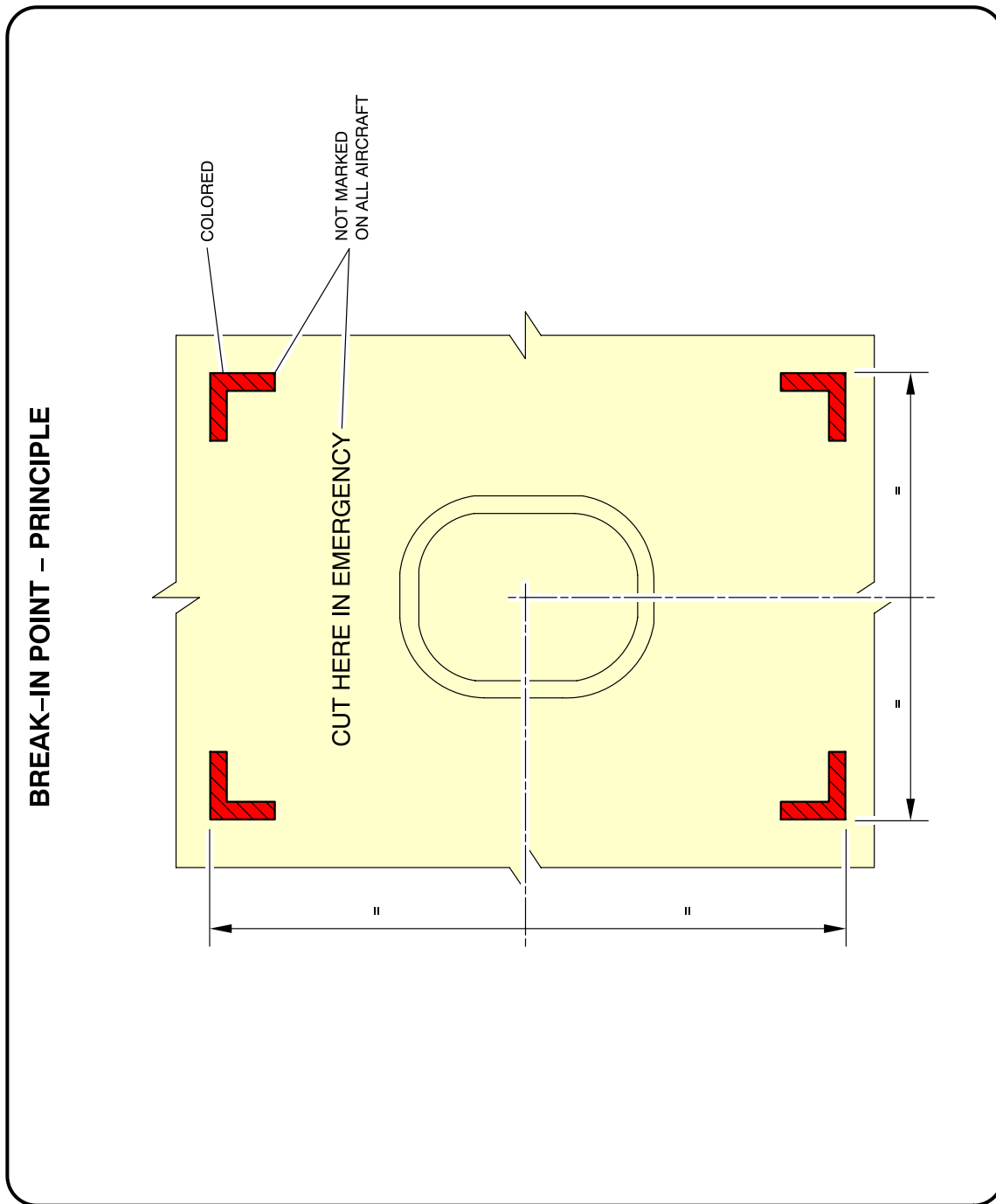
**ON A/C A321-100 A321-200 A321neo



N_AC_100000_1_0530101_01_02

Aircraft Ground Clearances
FIGURE-10-0-0-991-053-A01

**ON A/C A321-100 A321-200 A321neo



N_AC_100000_1_0540101_01_01

Structural Break-in Points
FIGURE-10-0-0-991-054-A01