

**Errata to
HVAC Simplified Solutions Manual
March 25, 2008**

*The changed items for each erratum are indicated in **bold**.*

Chapter 2, Problem 2.2:

Change “120°F discharge temperature” to “120°F discharge **saturation** temperature.”

Chapter 8, Problem 8.1:

Problem 8.1 is incorrectly numbered as Problem 8.2. Change the first Problem 8.2 to “Problem **8.1**.”

Chapter 8, Problem 8.2:

Change “...heat gain of the walls...” to “...heat gain of the **10 ft high** walls...”

Chapter 9, Problem 9.1:

Change “...and an 18 × 20 ft floor...” to “...and an 18 × **40** ft floor...”

Chapter 10, Problem 10.1:

Change “The fan coil units are Model 60-HW-4 (Table 5.12)” to “The fan coil units are Model 60-HW-4 (Table 5.12) **with a flow rate of 20 gpm each.**”

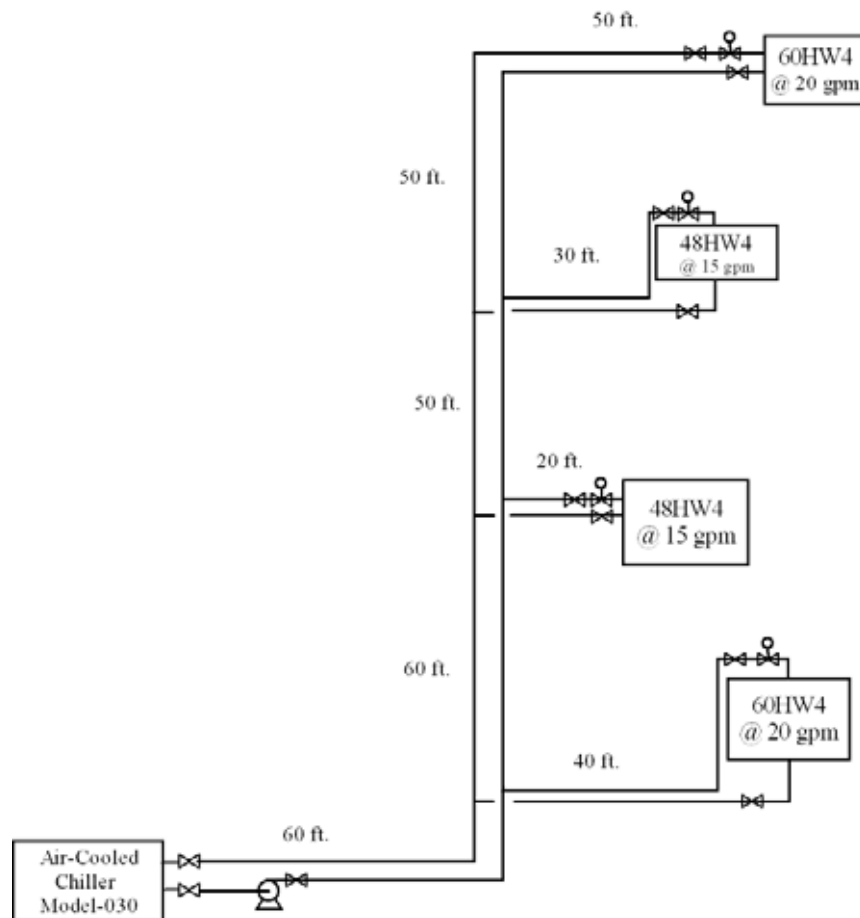
Chapter 10, Problem 10.3:

Change “...water loop shown in Figure 10.3” to “...water loop shown in Figure 10.7.”

(continued)

Chapter 10, Problems 10.4 and 10.5:

These problems refer to a figure that was inadvertently omitted. The figure is shown below.



Chapter 11, Problem 11.2:

Change “Compute the demand, KVA, and KVAR of a 6-pole, 20 hp motor at 100%, 75%, and 50% load.” to “Compute the demand **and current** of a 6-pole, **230-VAC, 3-phase**, 20 hp motor at 100%, 75%, and 50% load.”

Chapter 11, Problem 11.3:

Change “Compute the demand, KVA, and KVAR of a 2-pole, 15 hp motor at 100%, 75%, and 50% load” to “Compute the demand **and current** of a **6-pole, 460-VAC, 3-phase**, 15 hp motor at 100%, 75%, and 50% load.”

Chapter 11, Problem 11.4:

Change “Select an 1800 rpm motor... specify resulting demand (kW), KVA, and KVAR at the design point and at 6000 cfm” to “Select an 1800 rpm, **230-VAC, 3-phase** motor... specify resulting demand (kW) **and current**.”

Chapter 11, Problem 11.6:

Change "...shown in Figure 10.12" to "...shown Figure 10.15."

Chapter 11, Problem 11.9:

Change "...cost of bulbs (at \$3.00 each)" to "...cost of bulbs (at **30¢ each for incandescent and \$3.00 each for compact fluorescent**)."

Chapter 12, Problem 12.10:

Change "The energy inflation rate is expected to be 8%" to "**Inflation rates are 8% for energy, 5% for maintenance, and 5% general.**"

Errata to
HVAC Simplified Solutions Manual
October 12, 2009

Page 47: In the next-to-last line of Problem 10.1, change “flor rate” to “flow rate.”