

**Errata to
Fundamentals of Steam System Design,
I-P Edition (2006)**

April 25, 2016

Shaded items have been added since the previously published errata sheet dated January 5, 2016.

Page 2:6 In the Solution to Example 2-2, the first sentence begins with “The total heat of steam of 1195.6 Btu/lb_m...” but should read “The total heat of steam of **1196** Btu/lb_m...”

Page 2:19 Renumber the second Figure 2.11 as **Figure 2.12**.

Page 3:12 Replace Figure 3.10 with the following:
[Please note that earlier errata sheets had supplied a revised Figure 3.10 with incorrect Btu/h/ft values in the table. The below Figure 3.10 has been corrected.]

Type RAF		Aluminum Fins / Copper Tube
	3 in. × 4 in.	Steam*
No.	52 Fin/Ft	Btu/h/ft
34C1	0.75 in. Dia.	1408
34C2	1 in. Dia.	1414
34C3	1.25 in. Dia.	1422

*Steam indicates Btu/h/ft at standard condition (65°F entering air and 15 psig steam)

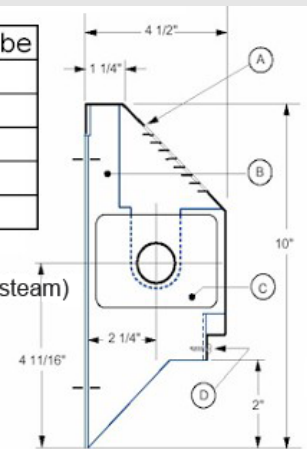


Figure 3.10 Capacities and dimensions of baseboard units.

Page 4:8 In Solution c for Example 4.1, it states that the latent heat for 10 psig steam is found in Table 4-2. This should be corrected to read **Table 2-1**.

Page 4:8 In Solution d for Example 4-1, it refers the reader to Equation 4-2 but should refer the reader to **Equation 4-1a**.

Page 4:9 In the section “Piping Connections,” fourth paragraph, first sentence, the minimum drop measurement reads “18 in.” but should read “**10 in.**”

Page 4:18 In the last paragraph on the page, the third sentence ends with a reference to Figure 4.7b, but it should reference **Figure 4-11b**.

- Pages 4:21–4:22** The Skill Development Exercises are misnumbered. Renumber the current Exercise 4-8 to 4-7 and renumber the exercises that follow accordingly.
- Page 5.9** In the Liquid Fuels paragraph, the last sentence reads “Typical gravity...” but should read “Typical **specific** gravity....”
- Page 7:34** In the Solution to Example 7-12, the first sentence begins with “Table 7-11, with 35 psig and...” but should read “Table 7-11, with **138** psig and....”
- Page 7:42** In Skill Development Exercise 7-3, the exercise ends with “...allowable stress of 1300 psi...” but should read “...allowable stress of **13,000 psi**...”
- Student Answer Sheet: 36** In Skill Development Exercise 7-3, the exercise ends with “...allowable stress of 1300 psi...” but should read “...allowable stress of **13,000 psi**...”